



US00D832045S

(12) **United States Design Patent**
Nadal

(10) **Patent No.:** **US D832,045 S**
(45) **Date of Patent:** **** Oct. 30, 2018**

- (54) **SOLID FUEL COOKING DEVICE WITH LID** 1,177,494 A * 3/1916 Curtiss A47G 23/06
294/167
- (71) Applicant: **Fire Butler, LLC**, Beverly Hills, FL 1,447,029 A 2/1923 Manchester
(US) 1,953,933 A * 4/1934 Gundelach A47G 23/0625
294/172
- (72) Inventor: **Vincent T. Nadal**, Beverly Hills, FL 2,894,448 A 7/1959 Henderson et al.
(US) 2,932,479 A * 4/1960 Leach A47B 3/12
108/121
- (73) Assignee: **FIRE BUTLER, LLC**, Beverly Hills, 3,018,771 A * 1/1962 Curtis A47J 37/0772
FL (US) 3,217,634 A 11/1965 Fox
126/154
(Continued)

(**) Term: **15 Years**

(21) Appl. No.: **29/544,423**

(22) Filed: **Nov. 3, 2015**

Related U.S. Application Data

(63) Continuation of application No. 29/541,965, filed on Oct. 9, 2015, now Pat. No. Des. 812,973.

(51) **LOC (11) Cl.** **07-99**

(52) **U.S. Cl.**
USPC **D7/402**

(58) **Field of Classification Search**
USPC D7/402, 403, 323, 339, 347, 354, 361,
D7/362, 368, 667, 668, 669, 674, 677,
D7/688, 690, 692, 695, 369, 387, 388,
D7/396.6, 407, 213, 409, 416, 332, 500,
D7/533, 543, 545, 550.1, 552.1, 553.3,
D7/553.4, 553.5, 553.6, 553.7, 553.8,
D7/554.2; D6/300, 309, 600
CPC A21B 1/48
See application file for complete search history.

(56) **References Cited**

U.S. PATENT DOCUMENTS

- 169,188 A * 10/1875 Novinsky A47G 23/03
206/204
- 616,573 A * 12/1898 Hertz A47J 36/20
99/403
- 1,042,273 A 10/1912 Roe

OTHER PUBLICATIONS

9 results—TinEye, [online], [site visited Oct. 12, 2017]. Available from Internet, URL: https://tineye.com/search/5368df2ca5d42b8c14c960467465f3c34a76e38a/?extension_ver=chrome-1.2.0.*

(Continued)

Primary Examiner — Cathron C Brooks

Assistant Examiner — Katrina N Gonzalez

(74) *Attorney, Agent, or Firm* — Allen, Dyer, Doppelt + Gilchrist, P.A.

(57) **CLAIM**

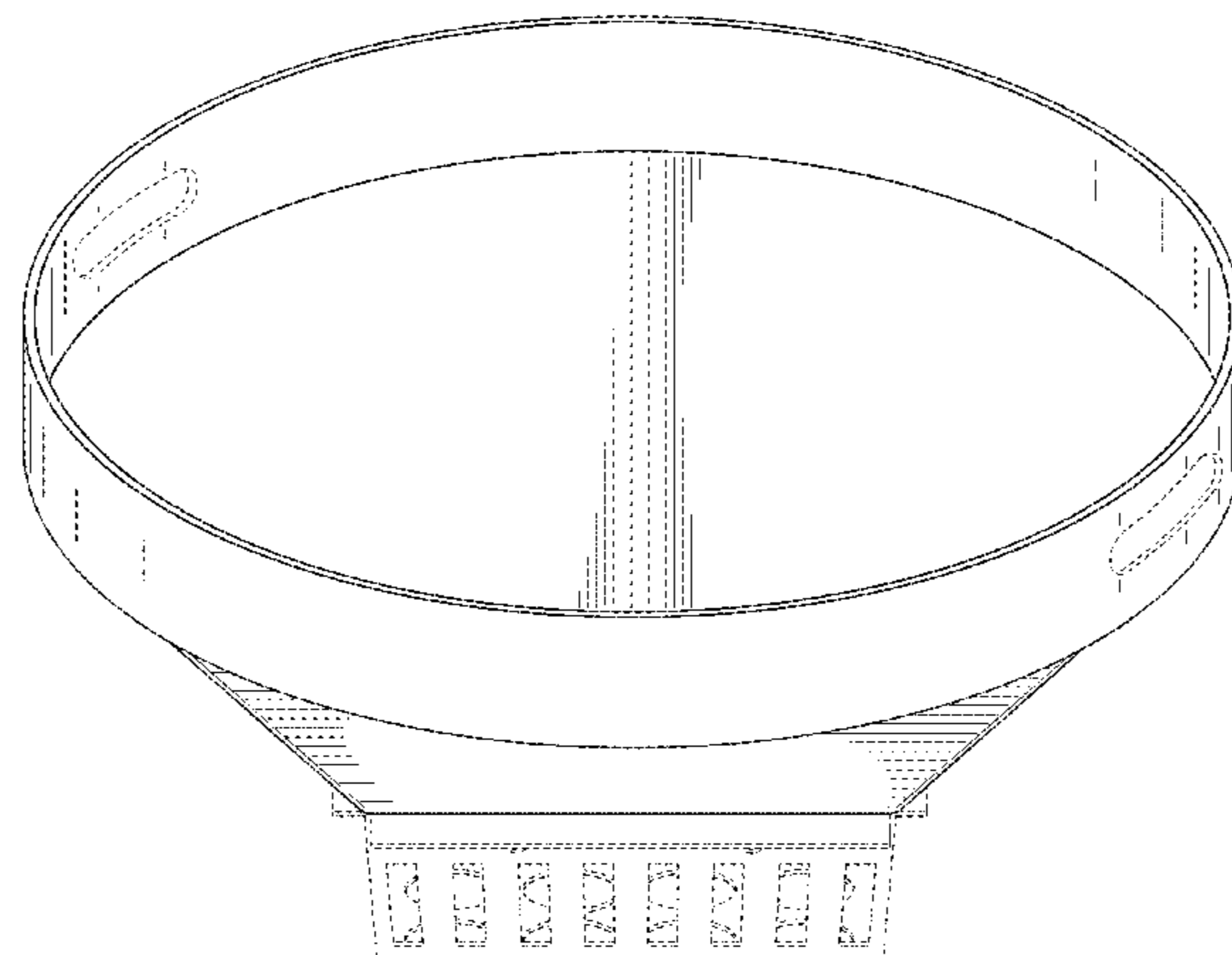
The ornamental design for a solid fuel cooking device with lid, as shown and described.

DESCRIPTION

FIG. 1 is a perspective view of a solid fuel cooking device with lid shown within an environmental structure; FIG. 2 is a top perspective view thereof, shown removed from the environmental structure for clarity of illustration; FIG. 3 is a side view thereof; FIG. 4 is a top view thereof; and, FIG. 5 is a bottom view thereof.

The broken lines illustrate parts of the solid fuel cooking device with lid and unclaimed environmental subject matter which form no part of the claimed design.

1 Claim, 5 Drawing Sheets



(56)

References Cited

U.S. PATENT DOCUMENTS

3,688,758	A	9/1972	Stephen et al.	
3,765,397	A	10/1973	Henderson	
D229,277	S	11/1973	Ming Kong	
3,851,639	A *	12/1974	Beddoe	A47J 37/0763 126/25 R
D244,985	S	7/1977	Folke	
D249,448	S	9/1978	Vache	
D252,156	S *	6/1979	Tabony	D23/260
D253,746	S *	12/1979	Boldt	D7/402
4,197,832	A *	4/1980	Thomas	A21B 3/13 126/390.1
D255,537	S *	6/1980	Bowen	219/725
4,382,432	A *	5/1983	Lizdas	A47J 37/0704 126/25 A
D271,174	S *	11/1983	Bowen	D7/325
4,430,985	A	2/1984	Huneycutt	
D276,689	S *	12/1984	Spoeth, Jr.	D7/355
4,592,334	A	6/1986	Logan, Jr.	
4,777,927	A	10/1988	Stephen et al.	
4,793,324	A *	12/1988	Caferro	A21B 1/02 126/369
4,909,235	A *	3/1990	Boetcker	A47J 37/0704 126/25 C
5,074,279	A	12/1991	Sainsbury	
5,094,221	A	3/1992	Ho	
5,404,864	A	4/1995	Kent, Jr.	
D365,498	S *	12/1995	Lillelund	D7/505
D368,827	S *	4/1996	Thomas	D7/354
D374,796	S *	10/1996	Bradley	D7/406
D378,973	S *	4/1997	Bradley	D7/406
D379,134	S *	5/1997	Joergensen	D7/543
D379,900	S	6/1997	Gillam et al.	
5,687,704	A	11/1997	Lerch et al.	
5,797,386	A	8/1998	Orr	
5,964,212	A	10/1999	Thompson	
D430,991	S *	9/2000	Cragg	D7/334
D432,356	S *	10/2000	Hoff	D7/402
6,205,996	B1	3/2001	Ryan	
6,213,006	B1	4/2001	Reardon et al.	
6,302,096	B1	10/2001	Duncan	
6,598,598	B1	7/2003	Bratsikas	
D479,941	S	9/2003	Blanchette	
6,688,301	B1	2/2004	McNeill	
D488,626	S *	4/2004	Kruger	D6/309
7,032,587	B2	4/2006	McNeill	
D544,753	S	6/2007	Tseng	
D546,630	S *	7/2007	Asner	D7/587
7,241,466	B2	7/2007	Dellinger	
D580,209	S *	11/2008	Chiang	D7/332
D627,591	S	11/2010	Wade	
8,166,870	B2	5/2012	Badin	
D679,936	S *	4/2013	Chung	D7/332
D680,799	S	4/2013	Chung	
8,578,927	B2	11/2013	Gustavsen	
D718,082	S *	11/2014	Chung	D7/335
D729,567	S *	5/2015	Haas	D7/368
D740,607	S *	10/2015	Nadal	D7/407
D773,229	S *	12/2016	Jaggard	D7/334
D778,678	S *	2/2017	Baez	D7/554.2
D784,759	S *	4/2017	Nadal	D7/407
D791,527	S *	7/2017	Jaggard	D7/334
2005/0039612	A1	2/2005	Denny	
2006/0042475	A1	3/2006	Craig	
2007/0087297	A1	4/2007	Long	
2009/0035423	A1 *	2/2009	Rettey	A21D 6/001 426/113
2016/0183724	A1 *	6/2016	Nadal	A47J 37/0763 126/25 R

OTHER PUBLICATIONS

White Rim Lacquer Trays—Round _ west elm, [online], [site visited Oct. 12, 2017]. Available from Internet, URL:<https://www.westelm.com/products/white-rim-lacquer-trays-round-d3088/>.*

Kotobuki Tray Apr. 15, 2013, [online], [site visited Oct. 12, 2017]. Available from Internet, URL: https://www.amazon.com/dp/B00CJV9RRA/ref=psdc_678544011_t1_B072C4QHMM.*

10 best tea trays _ The Independent, [online], [site visited Oct. 12, 2017]. Available from Internet, URL:<http://www.independent.co.uk/extras/indybest/house-garden/10-best-tea-trays-9968645.html>.*

22 Fire Butler Set, [online], [site visited Oct. 11, 2017]. Available from Internet, URL:http://firebutler.com/index.php?route=product/product&product_id=77.*

Fire Butler Facebook, [online], [site visited Oct. 11, 2017]. Available from Internet, URL: <https://www.facebook.com/Fire-Butler-873646532676410/>.*

Gas fired circular outdoor flattop grill Affinity by Evo, [online], [site visited Oct. 12, 2017]. Available from Internet, URL:<http://appliancist.com/cooking/cooktops/affinity-30g-affinity-25e-evo.html>.*

Hi-gloss round white tray _ CB2, [online], [site visited Oct. 12, 2017]. Available from Internet, URL:<https://www.cb2.com/high-gloss-round-white-tray/s248273>.*

Costa Round Mirror Bottom Tray by HomArt—Seven Colonial, [online], [site visited Oct. 12, 2017]. Available from Internet, URL:<https://www.sevencolonial.com/shop/kitchen-dining/trays/costa-round-mirror-bottom-tray-homart/>.*

Round Turquoise Lacquer Tray, [online], [site visited Oct. 12, 2017]. Available from Internet, URL:<https://www.houzz.com/product/10607277-round-turquoise-lacquer-tray-large-contemporary-serving-trays>.*

Amazon.com _ Fantastic Tray, [online], [site visited Oct. 12, 2017]. Available from Internet, URL:https://www.amazon.com/Fantastic-1-Pack-Serving-Shinny-Silver/dp/B01L7BGHFM/ref=cm_cr_arp_d_product_top?.*

2017 Amazingribs, [online], [site visited Mar. 21, 2018]. Available from Internet, URL:<https://amazingribs.com/ratings-reviews-and-buying-guides/top-10-best-value-grills-and-smokers/2017-amazingribscom-top-10-3>.*

SolhumaVital Barbeque Grill, [online], [site visited Mar. 21, 2018]. Available from Internet, URL:https://www.amazon.com/dp/B003E3QUPE/ref=cm_sw_r_pi_dp_8N.Otb1SVX8BM3FC.*

Tips for Using Wok on a Gas Stove _ Wok Star Eleanor Hoh, [online], [site visited Mar. 21, 2018]. Available from Internet, URL:<http://eleanorhoh.com/2014/12/03/tips-for-using-wok-on-gas-stove/>.*

Disco_Cowboy Wok Cooking—(via YouTube), available Mar. 11, 2014, [online], [site visited Mar. 21, 2018]. Video available from internet, <URL:<https://www.youtube.com/watch?v=lqt4ii0R7TA&feature=share>.*

23_ Round Stainless Steel Concave Grill Fry Pan Wok Cook, [online], [site visited Mar. 21, 2018]. Available from Internet, URL:<https://www.ebay.com/itm/23-Round-Stainless-Steel-Concave-Comal-Pozo-Griddle-Taco-Grill-Fry-Pan-Wok-Cook-/321988972763>.*

Product Details Part #307416, “RAPIDFIRE® Chimney Starter,” downloaded Oct. 8, 2015, pp. 1-6.

Nadal, Vincent T., U.S. Appl. No. 14/587,248, filed Dec. 31, 2014.

Nadal, Vincent T., U.S. Appl. No. 14/879,168, filed Oct. 9, 2015.

Nadal, Vincent T., U.S. Appl. No. 14/879,190, filed Oct. 9, 2015.

Nadal, Vincent T., U.S. Appl. No. 29/535,764, filed Aug. 10, 2015.

Nadal, Vincent T., U.S. Appl. No. 29/536,116, filed Aug. 13, 2015.

Nadal, Vincent T., U.S. Appl. No. 29/541,949, filed Oct. 9, 2015.

Nadal, Vincent T., U.S. Appl. No. 29/541,955, filed Oct. 9, 2015.

* cited by examiner

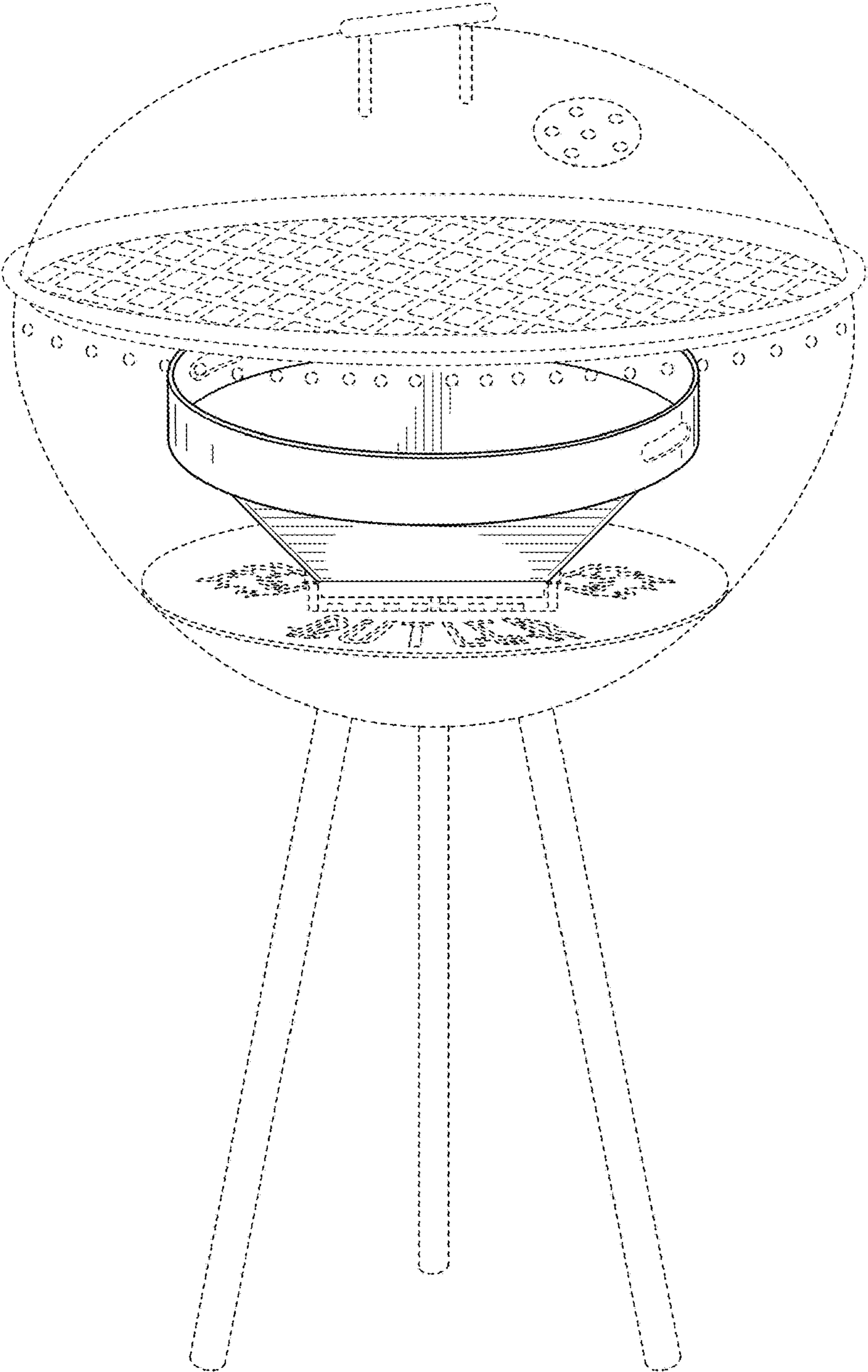


FIG. 1

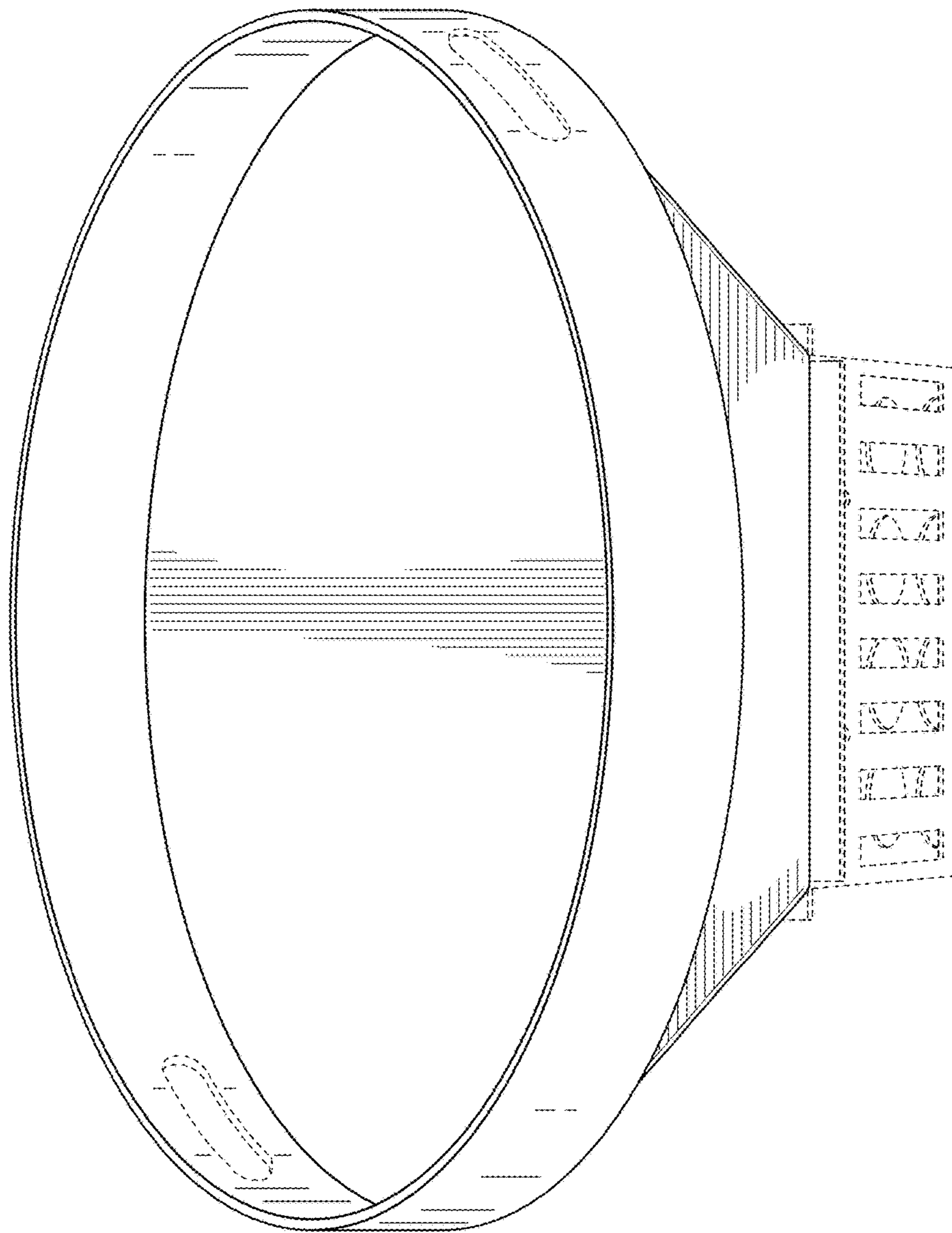


FIG. 2

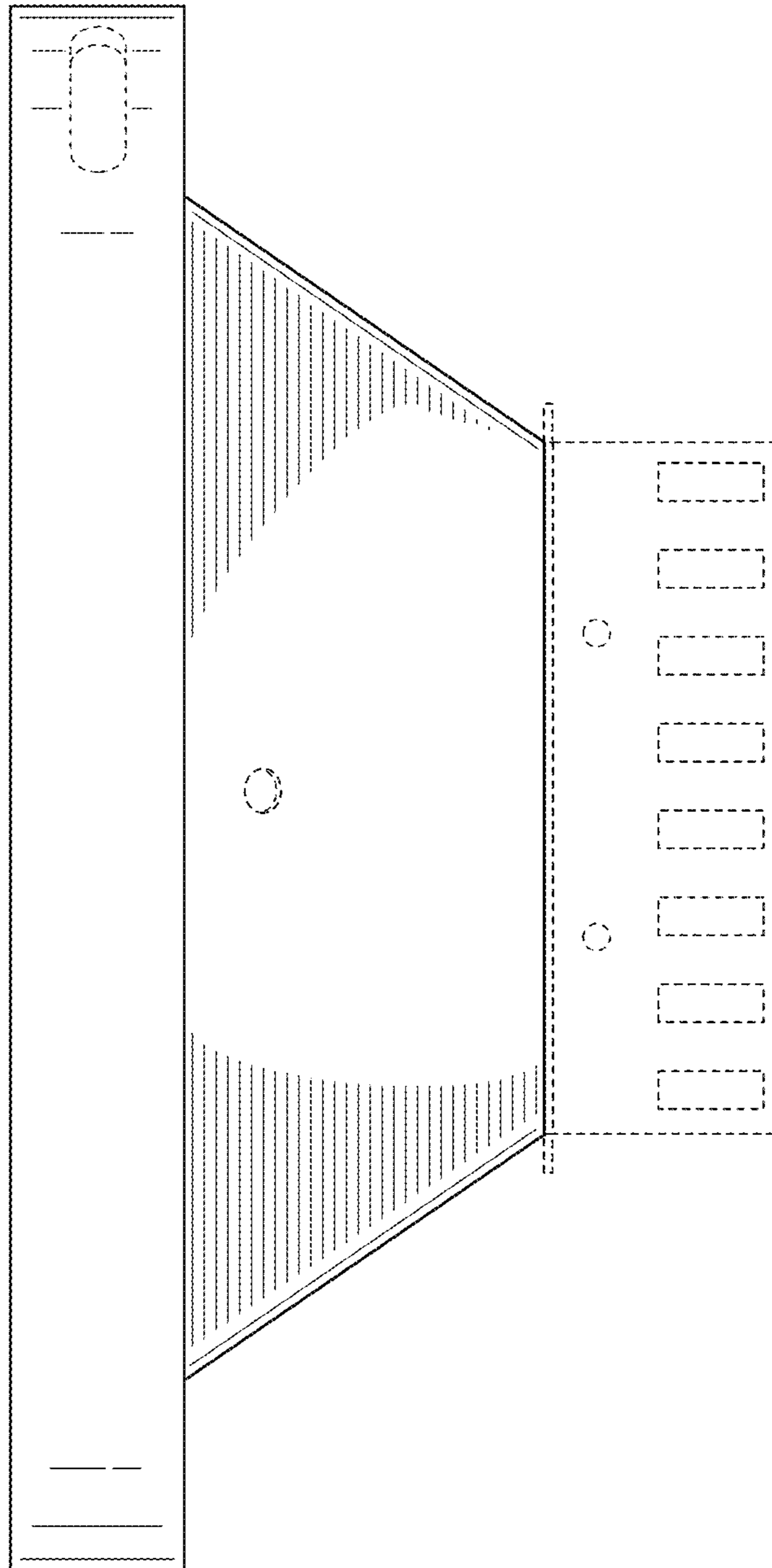


FIG. 3

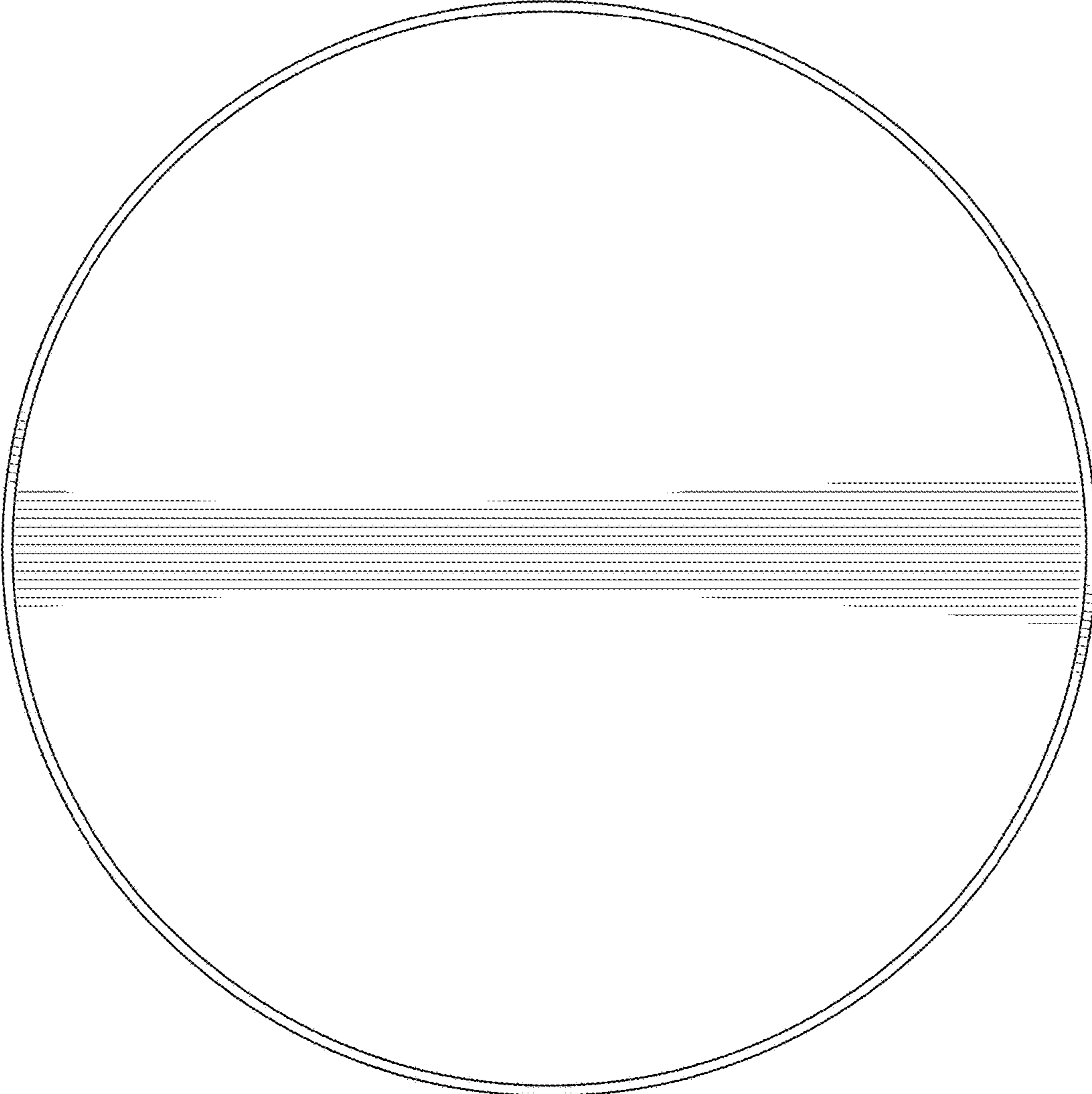


FIG. 4

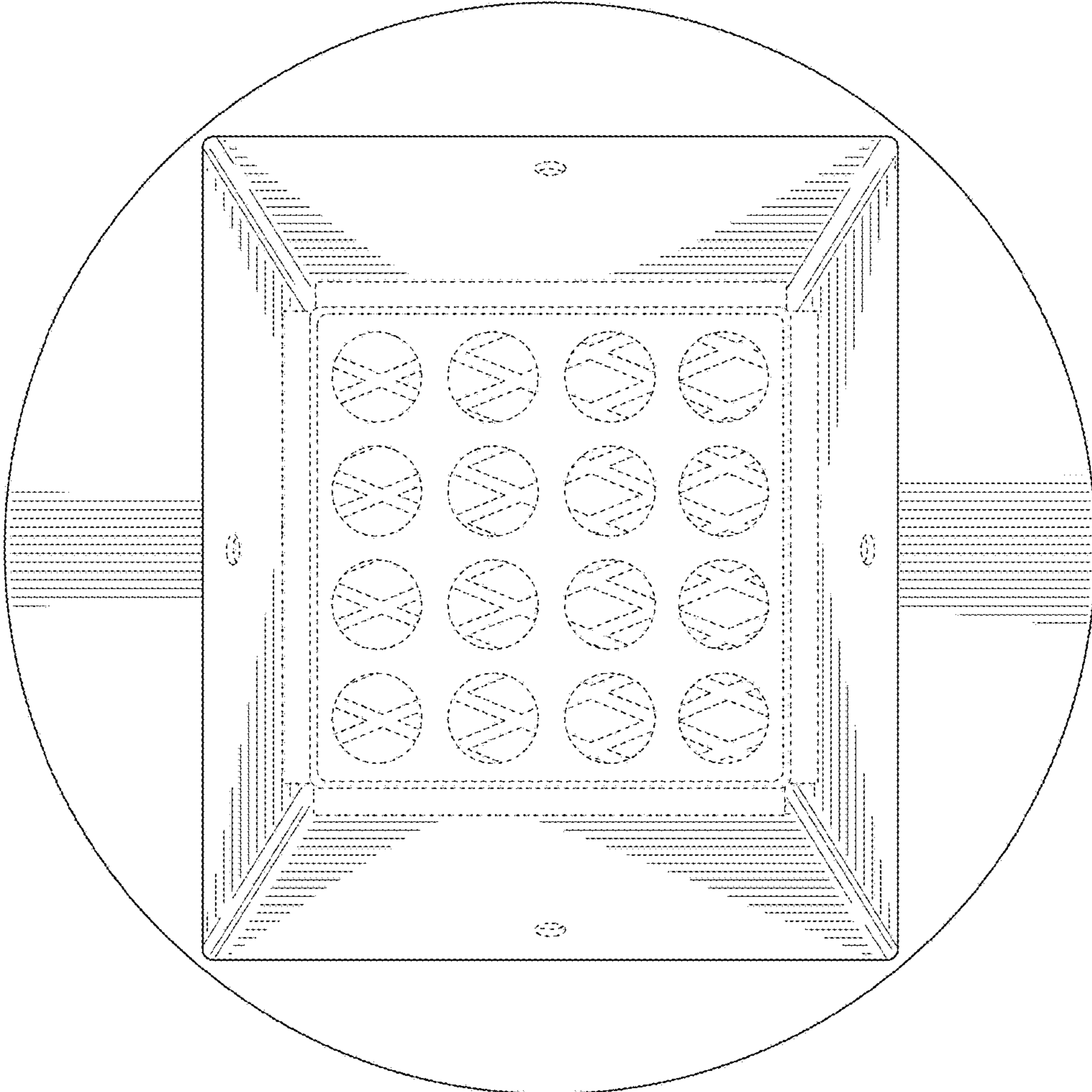


FIG. 5