



US00D832044S

(12) **United States Design Patent** (10) **Patent No.:** **US D832,044 S**
Gauss et al. (45) **Date of Patent:** **** Oct. 30, 2018**

(54) **KNIFE HANDLE**

(71) Applicants: **Kurt Gauss**, Spokane, WA (US); **S. Richard Motzkus**, Spokane, WA (US)
 (72) Inventors: **Kurt Gauss**, Spokane, WA (US); **S. Richard Motzkus**, Spokane, WA (US)
 (73) Assignee: **GSI Outdoors, Inc.**, Spokane, WA (US)

(**) Term: **15 Years**

(21) Appl. No.: **29/613,237**

(22) Filed: **Aug. 8, 2017**

(51) **LOC (11) Cl.** **07-03**

(52) **U.S. Cl.**
USPC **D7/401.2**; D7/649

(58) **Field of Classification Search**
 USPC D7/393–395, 401.2, 642–652, 693, D7/695–696; D8/71, 93, 97–100, 107, D8/300, 321; D22/117–118, 149
 CPC A01B 1/20; A01B 1/22; A22C 25/006; A47G 21/06; A47G 21/065; A61B 17/3211; A61B 17/3213; B21D 53/64; B25G 1/102; B25G 3/36; B26B 1/00; B26B 1/08; B26B 1/10; B26B 3/00; B26B 3/02; B26B 3/03; B26B 3/04; B26B 3/06; B26B 5/00; B26B 5/001; B26B 5/007; B26B 7/00; B26B 7/005; B26B 9/00; B26B 9/02; B26B 11/00; B26B 11/006; B26B 17/00; B26B 17/006; B26B 29/02

See application file for complete search history.

(56) **References Cited**

U.S. PATENT DOCUMENTS

D164,372 S *	8/1951	Lewis	D7/395
D273,758 S *	5/1984	Ali	D32/49
D282,097 S *	1/1986	Nativo	D22/118
D358,968 S *	6/1995	Hirai	D7/649
D512,607 S *	12/2005	Bodum	D7/649
D554,464 S *	11/2007	Yah	D8/107
D770,850 S *	11/2016	Keating	D7/401.2

* cited by examiner

Primary Examiner — Ricky Pham

(74) *Attorney, Agent, or Firm* — Randall Danskin P.S.

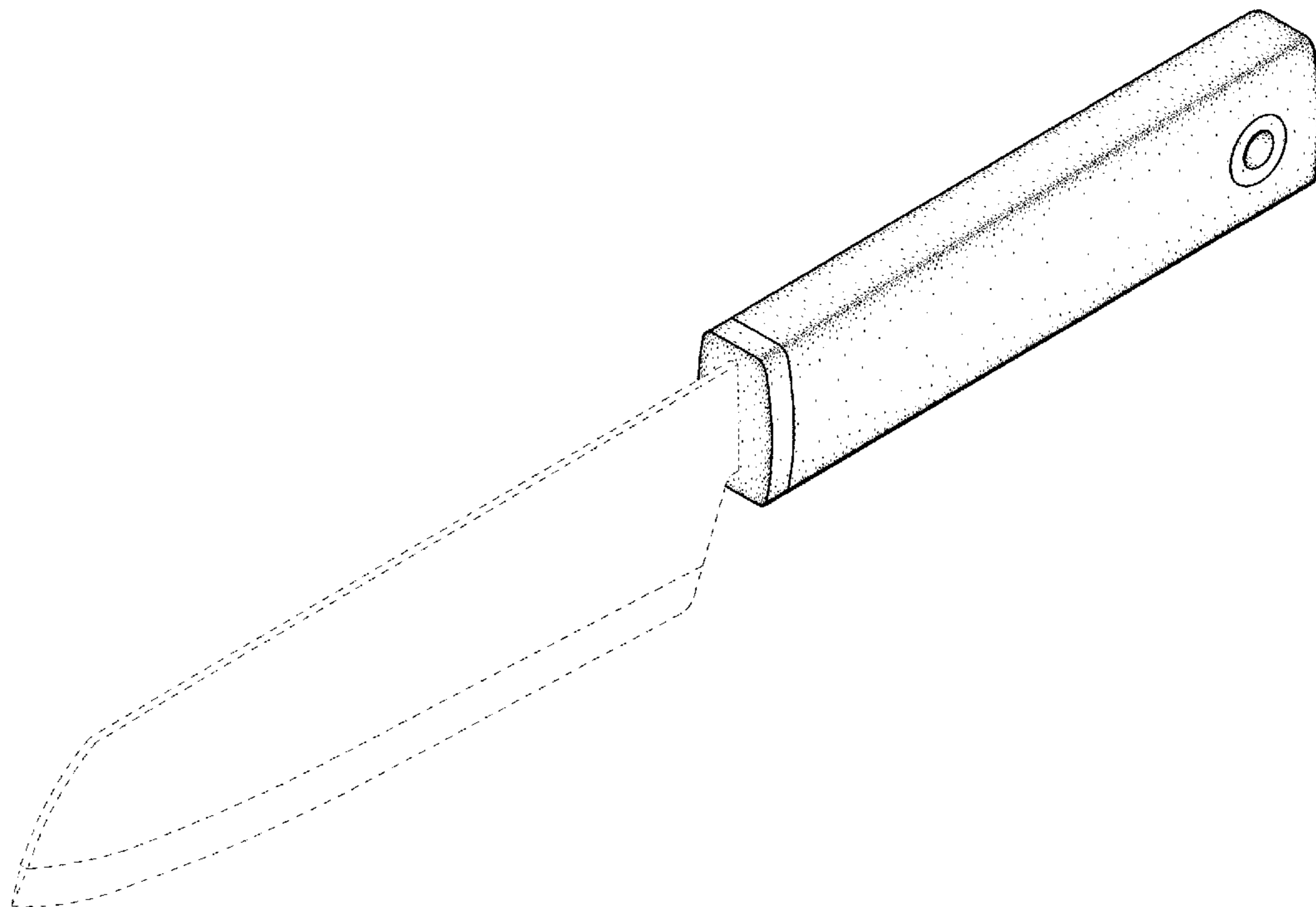
(57) **CLAIM**

The ornamental design for a knife handle, as shown and described.

DESCRIPTION

FIG. 1 is an isometric front, top and first side view of the knife handle showing our new design;
 FIG. 2 is an orthographic first side view thereof, both sides being the same;
 FIG. 3 is a top plan view thereof;
 FIG. 4 is a bottom plan view thereof;
 FIG. 5 is an orthographic front view thereof; and,
 FIG. 6 is an orthographic rear view thereof.
 The broken lines shown in the drawings are for illustrative purposes only and form no part of the claimed design.

1 Claim, 4 Drawing Sheets



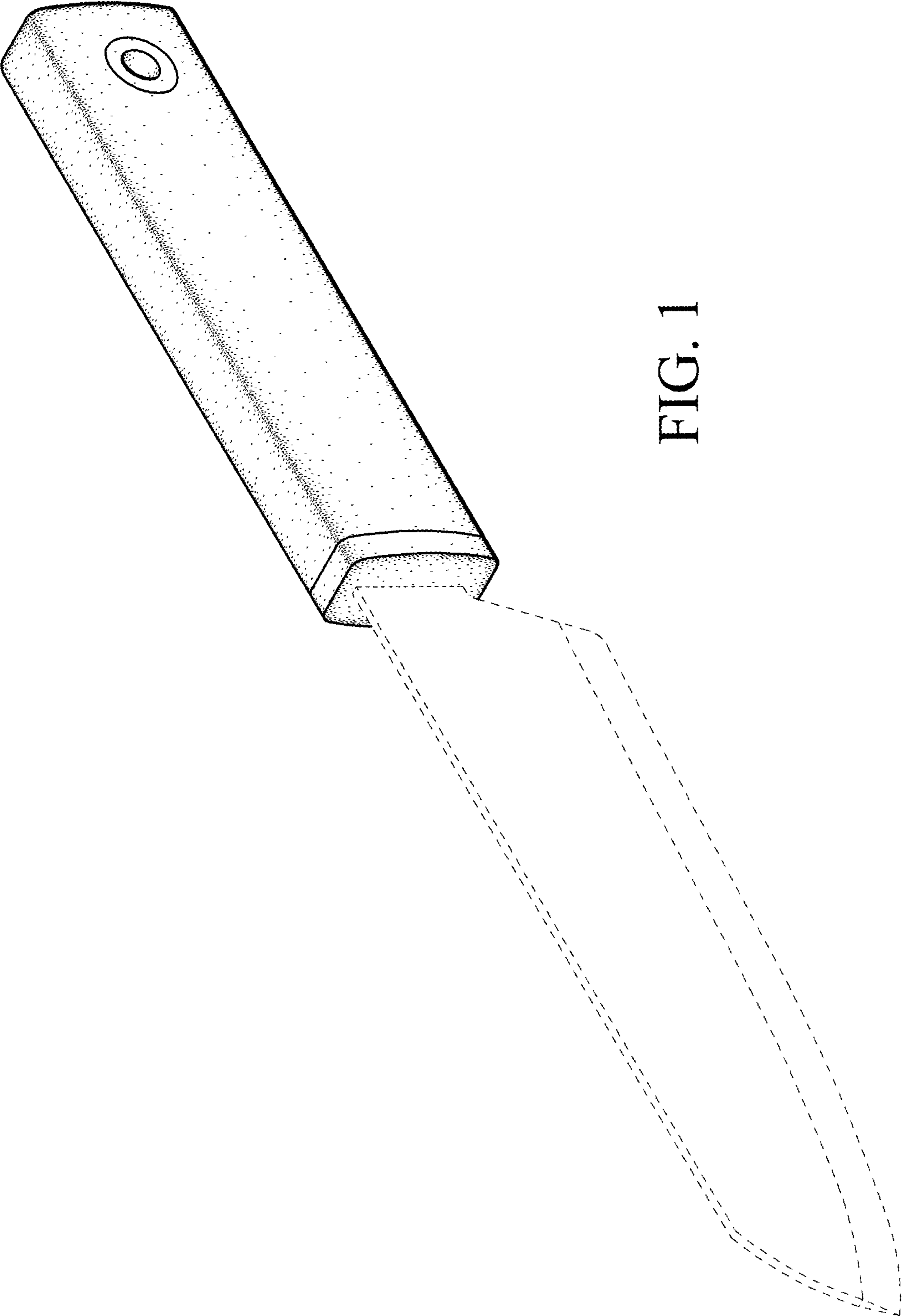


FIG. 1

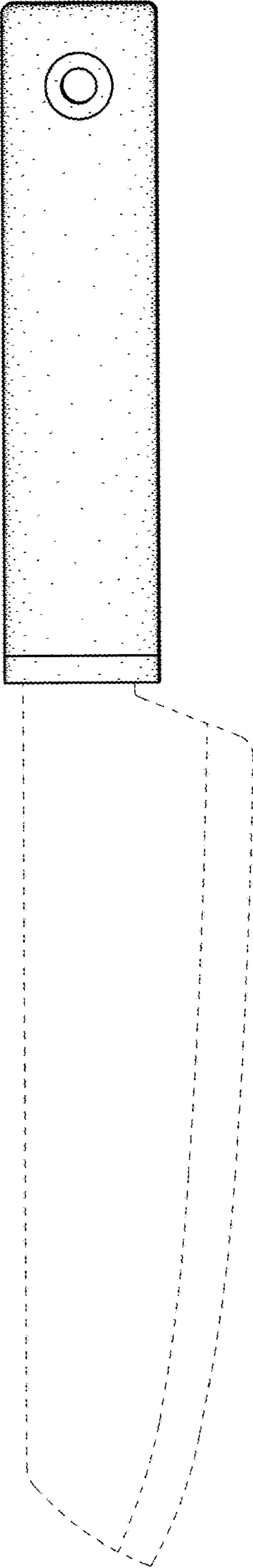


FIG. 2

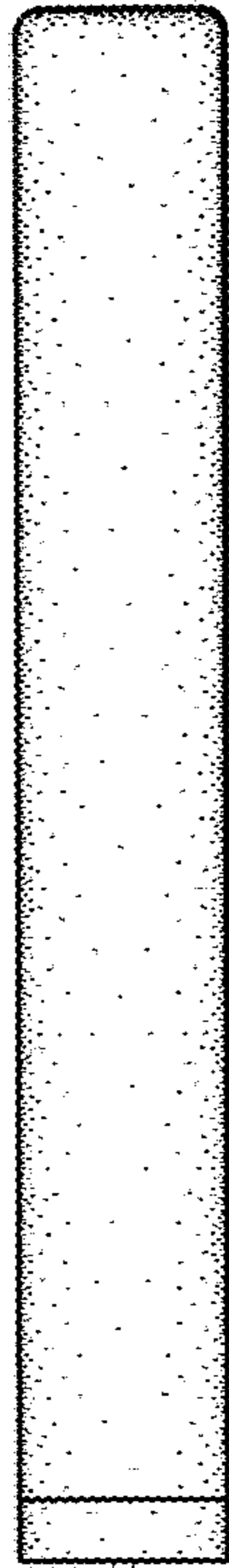


FIG. 3

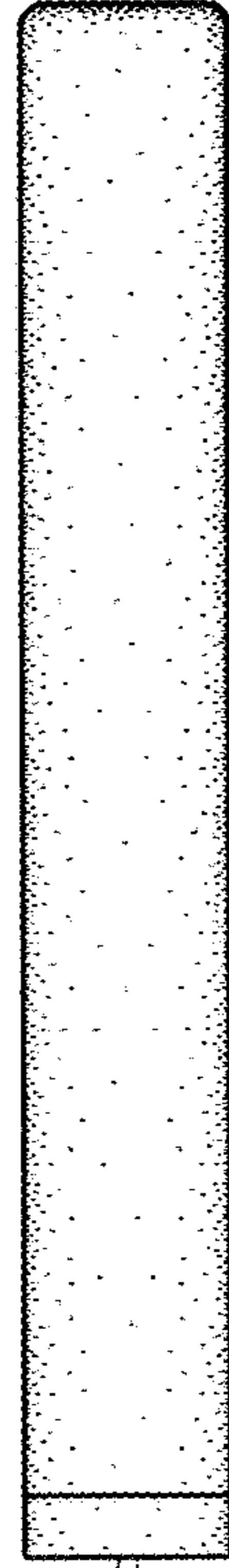


FIG. 4

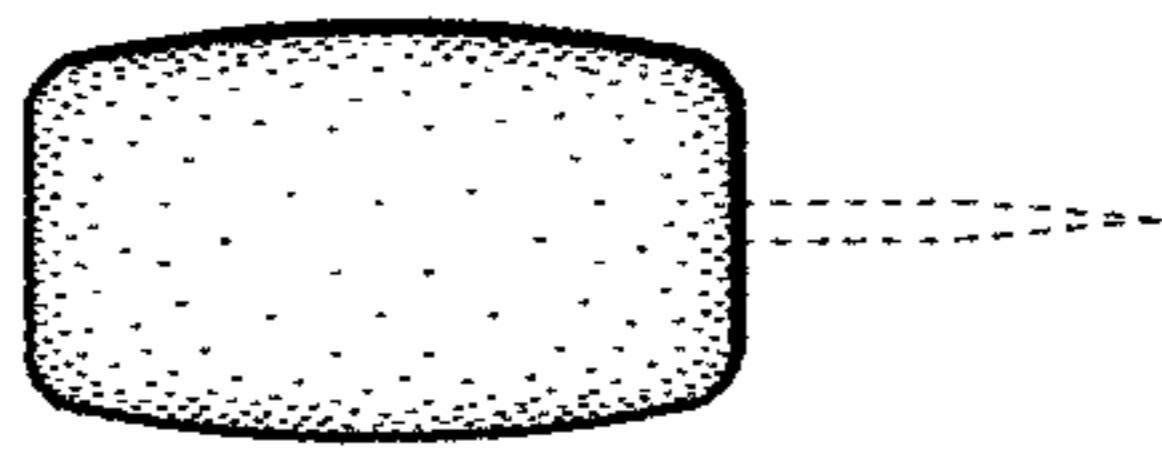


FIG. 6

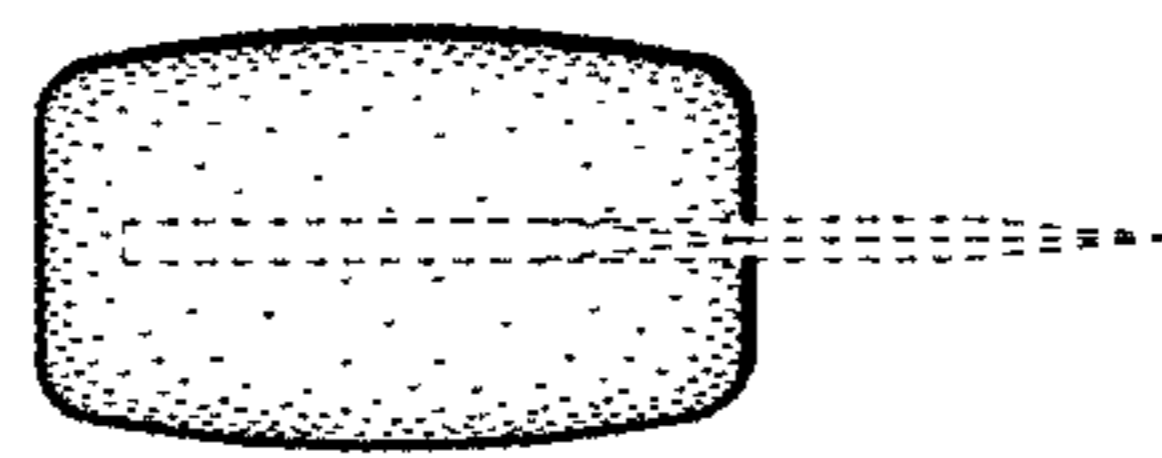


FIG. 5