



US00D832042S

(12) **United States Design Patent**  
**Jordan et al.**

(10) **Patent No.:** **US D832,042 S**  
(45) **Date of Patent:** **\*\* Oct. 30, 2018**

(54) **CANDY DISPENSER SHOE ATTACHMENT**

(71) Applicant: **CANDY COLLECTIBLES, LLC.**,  
Kearney, MO (US)

(72) Inventors: **Christine L. Jordan**, Kearney, MO  
(US); **Lawrence E. Guerra**, Mission,  
KS (US)

(\*\*) Term: **15 Years**

(21) Appl. No.: **29/547,364**

(22) Filed: **Dec. 3, 2015**

(51) **LOC (11) Cl.** ..... **07-06**

(52) **U.S. Cl.**  
USPC ..... **D7/401.1**

(58) **Field of Classification Search**  
USPC ..... D7/589, 401.1, 300, 305, 306, 310, 312,  
D7/313, 590, 591, 592, 596, 601, 602,  
D7/705, 635, 640, 641, 387, 392, 396.6,  
D7/397, 403, 213; D9/730, 338, 339,  
D9/414, 416, 417, 434, 435, 447, 443,  
D9/449, 454, 499; 206/37, 527, 815;  
220/558, 200, 200.01, 200.04, 200.05,  
220/200.06, 200.07, 200.12, 200.17,  
220/200.22, 200.27, 153.04, 153.05,  
220/153.07, 153.1, 156, 175, 469, 501;  
401/55, 68  
CPC .. B65H 1/08; G07F 11/14; A63H 1/16; A63H  
1/20  
See application file for complete search history.

(56) **References Cited**

**U.S. PATENT DOCUMENTS**

D16,253 S \* 9/1885 Meyer ..... D9/414  
D59,713 S \* 11/1921 Clark ..... D7/641  
D122,381 S \* 9/1940 Boylan ..... D6/515  
2,542,173 A \* 2/1951 Wolf ..... A47G 19/26  
220/200  
D196,376 S \* 9/1963 Hines ..... D20/8  
D197,579 S \* 2/1964 Vernon ..... 221/186

D201,518 S \* 6/1965 Hunt ..... D7/589  
D211,450 S \* 6/1968 Caine ..... D7/641  
D249,929 S \* 10/1978 Russert ..... D9/607  
4,513,885 A \* 4/1985 Hogan ..... G01F 11/125  
222/105  
D282,617 S \* 2/1986 Hogan ..... D7/308  
(Continued)

**OTHER PUBLICATIONS**

PEZ Makes You Smile. 2015, Catalog, <http://www.pez.at/en/Company/Catalogue>, 17 pages.

*Primary Examiner* — Shannon W Morgan  
(74) *Attorney, Agent, or Firm* — Lathrop Gage L.L.P.

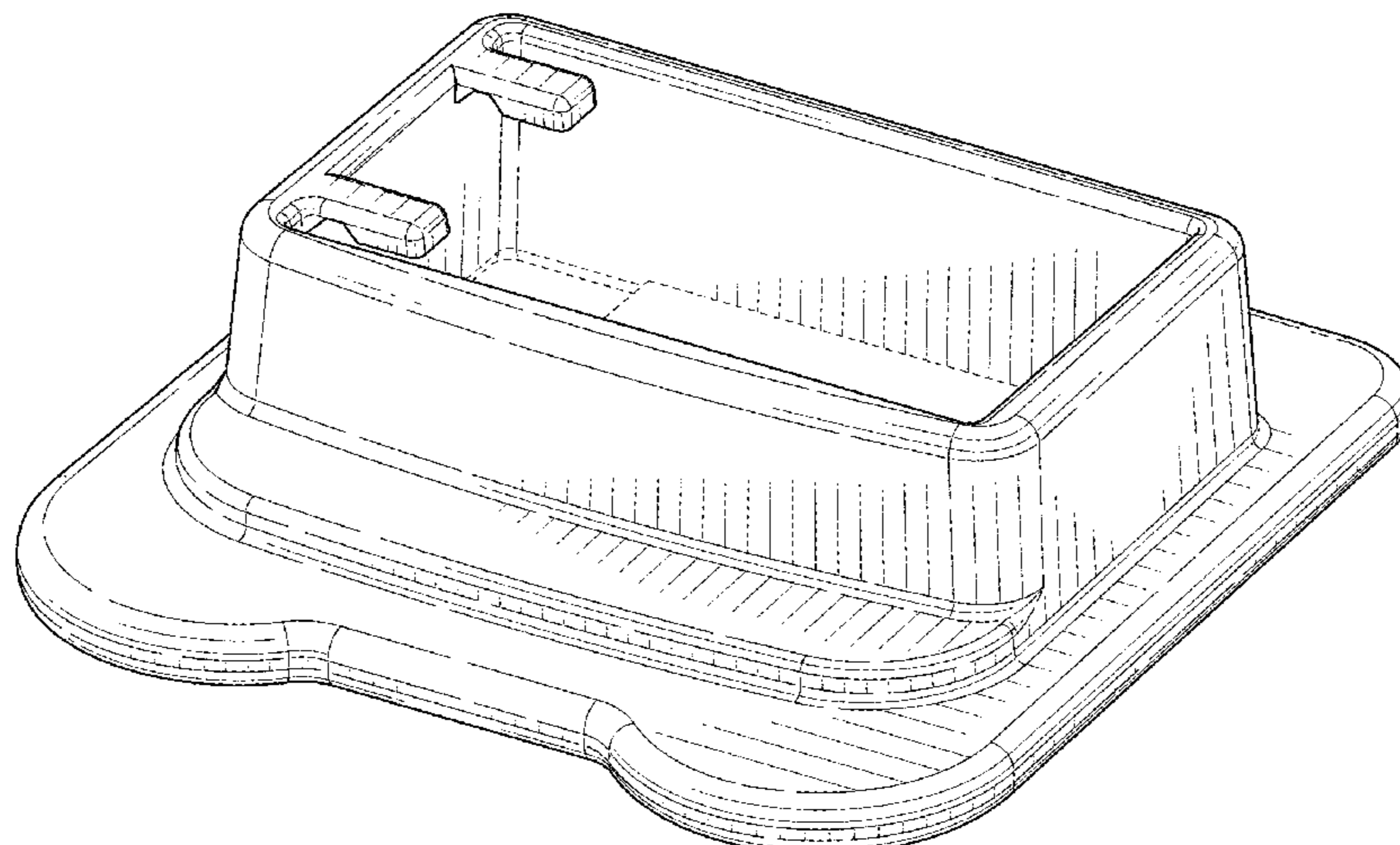
(57) **CLAIM**

The ornamental design for a candy dispenser shoe attachment, as shown and described.

**DESCRIPTION**

FIG. 1 is a top perspective view of a candy dispenser shoe attachment showing the new design.  
FIG. 2 is another top perspective view of the candy dispenser shoe attachment of FIG. 1.  
FIG. 3 is a top view of the candy dispenser shoe attachment of FIG. 1.  
FIG. 4 is a bottom view of the candy dispenser shoe attachment of FIG. 1.  
FIG. 5 is a side elevation view of the candy dispenser shoe attachment of FIG. 1.  
FIG. 6 is another side elevation view of the candy dispenser shoe attachment of FIG. 1.  
FIG. 7 is a front elevation view of the candy dispenser shoe attachment of FIG. 1; and,  
FIG. 8 is a rear elevation view of the candy dispenser shoe attachment of FIG. 1.  
The broken lines in the figures depict portions of the candy dispenser shoe attachment that form no part of the claimed design.

**1 Claim, 5 Drawing Sheets**





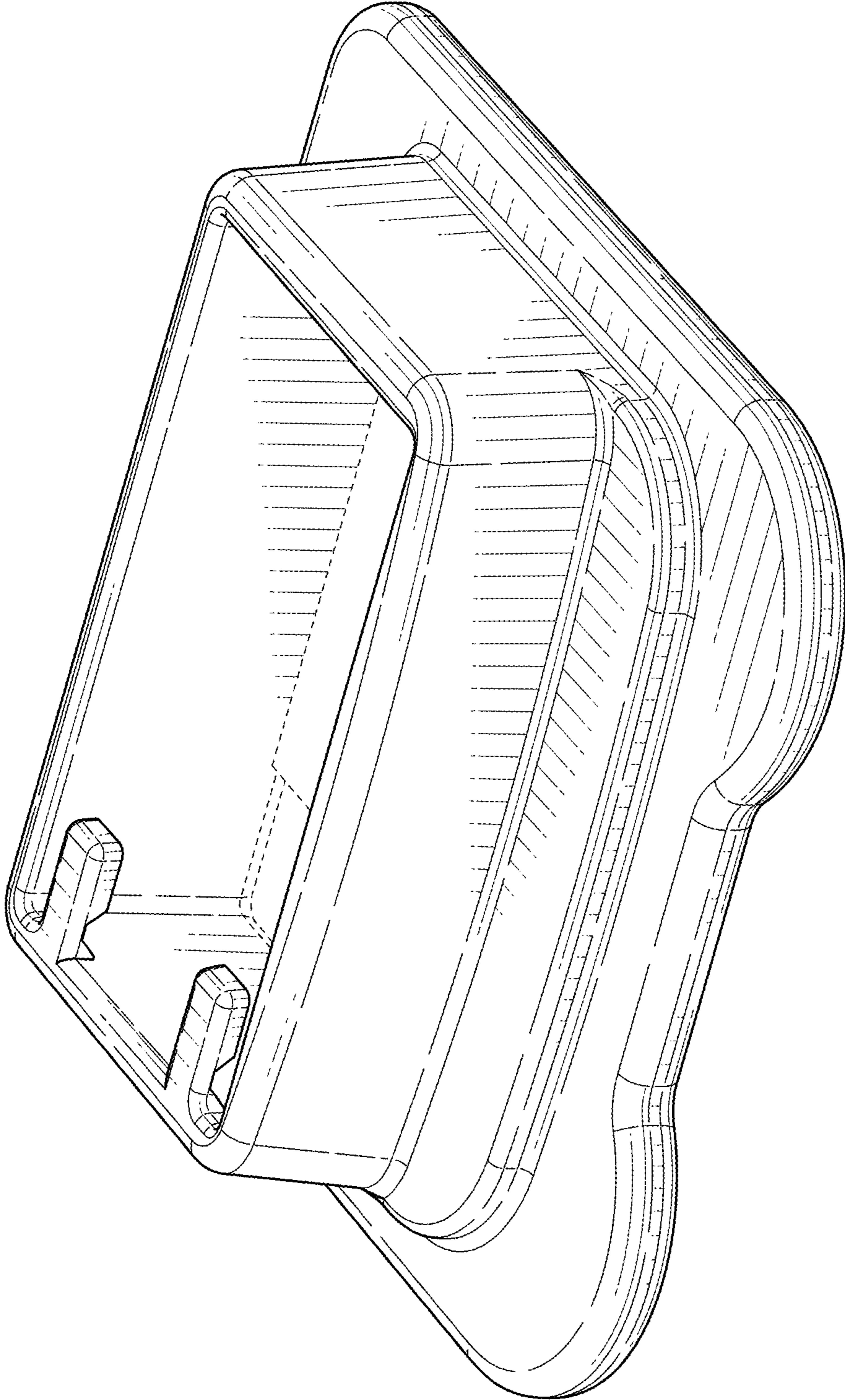


FIG. 1

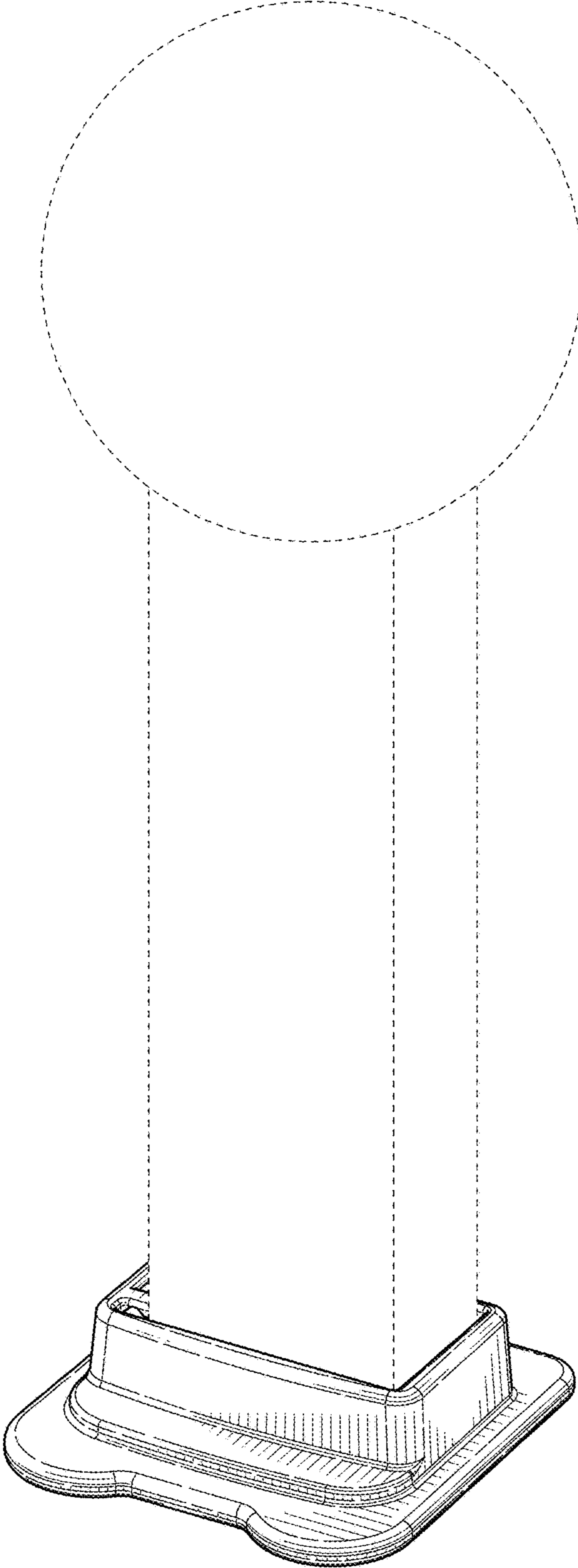


FIG. 2

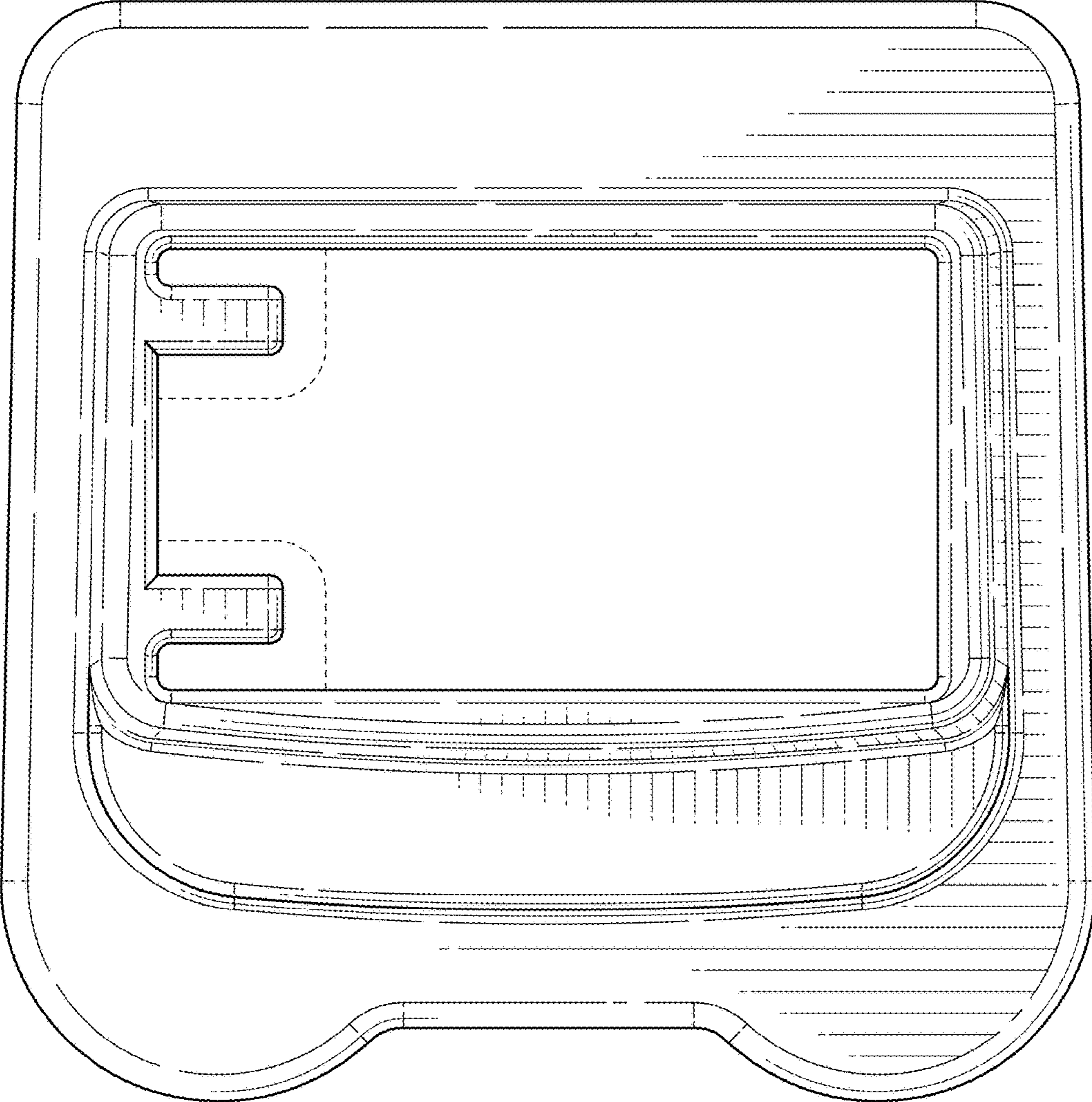


FIG. 3

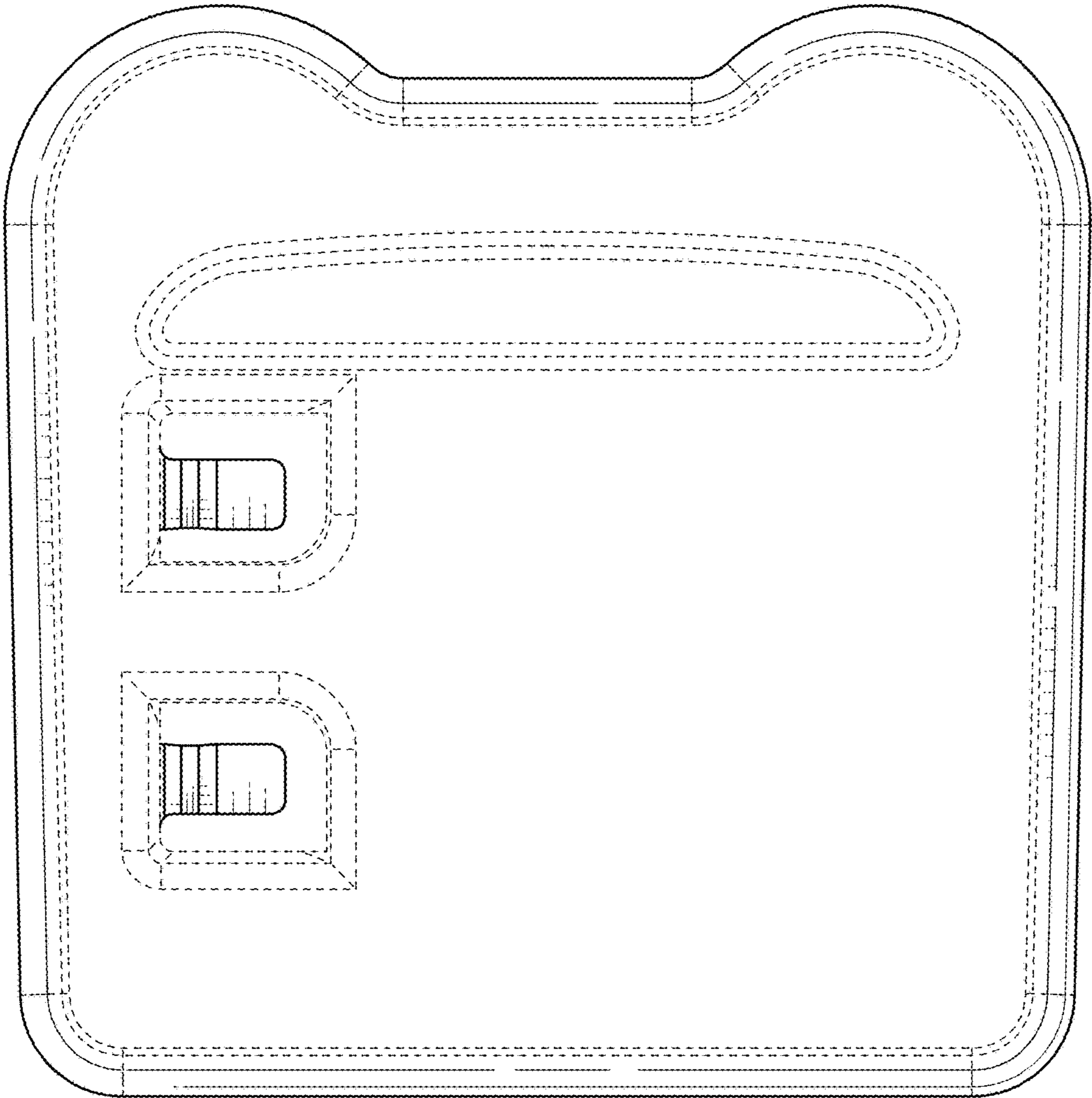


FIG. 4

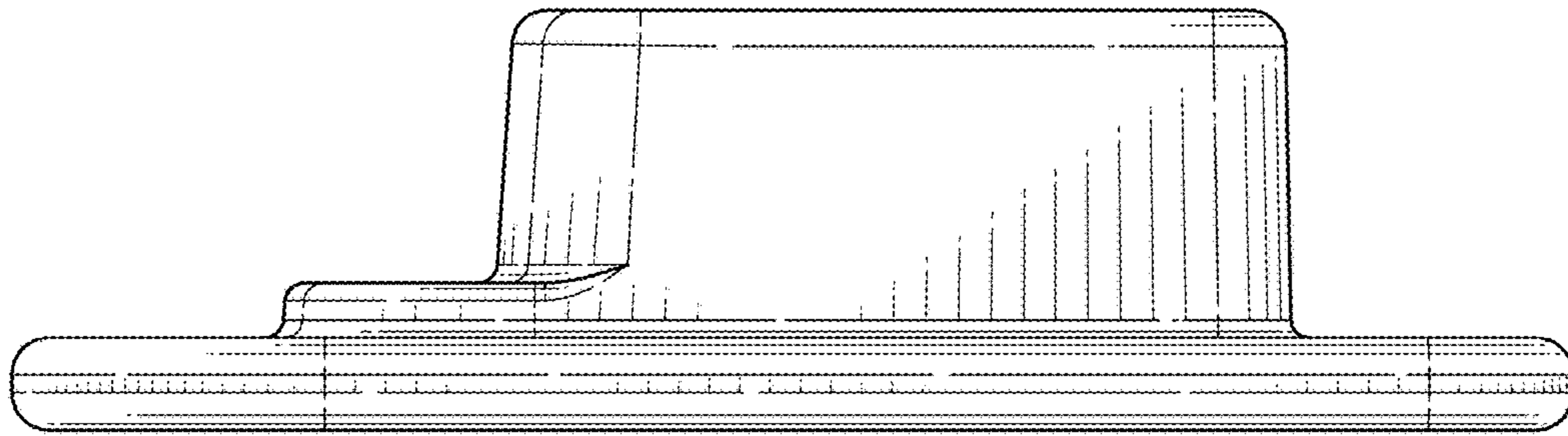


FIG. 5

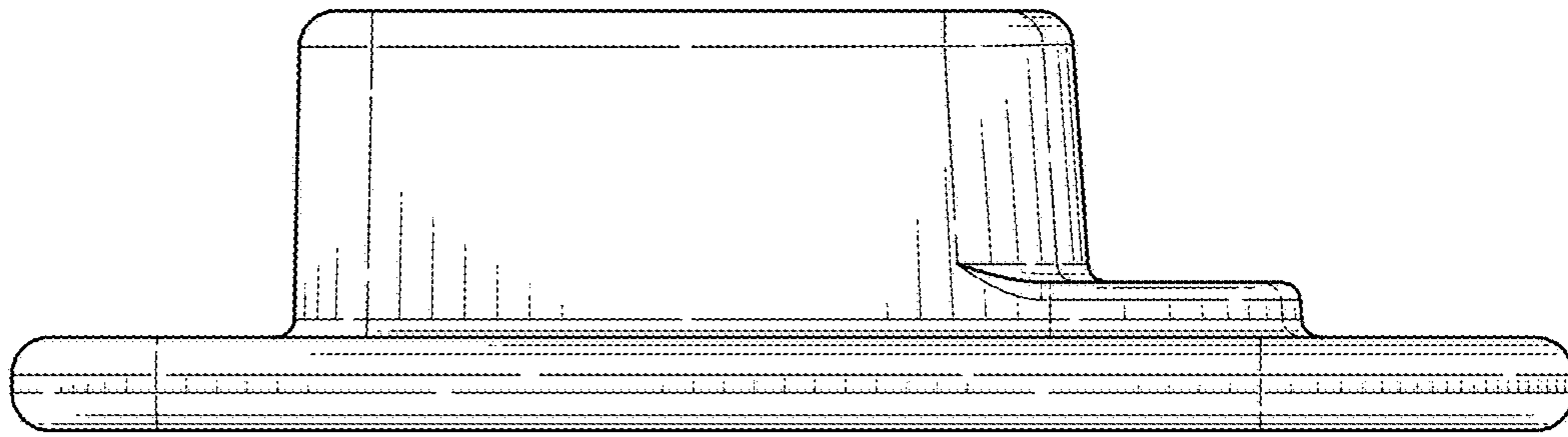


FIG. 6

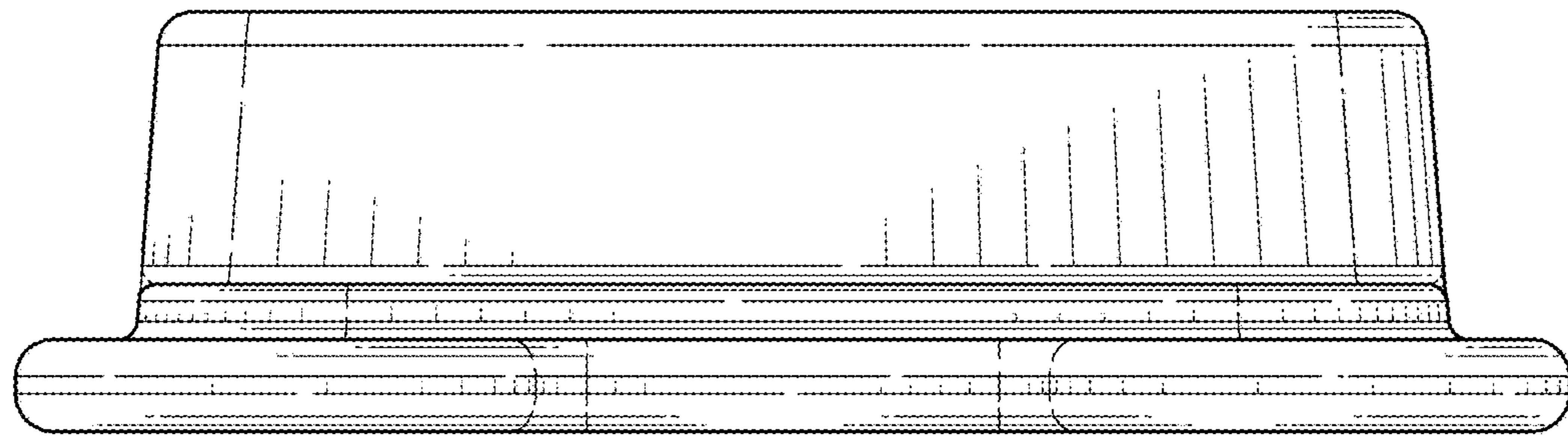


FIG. 7

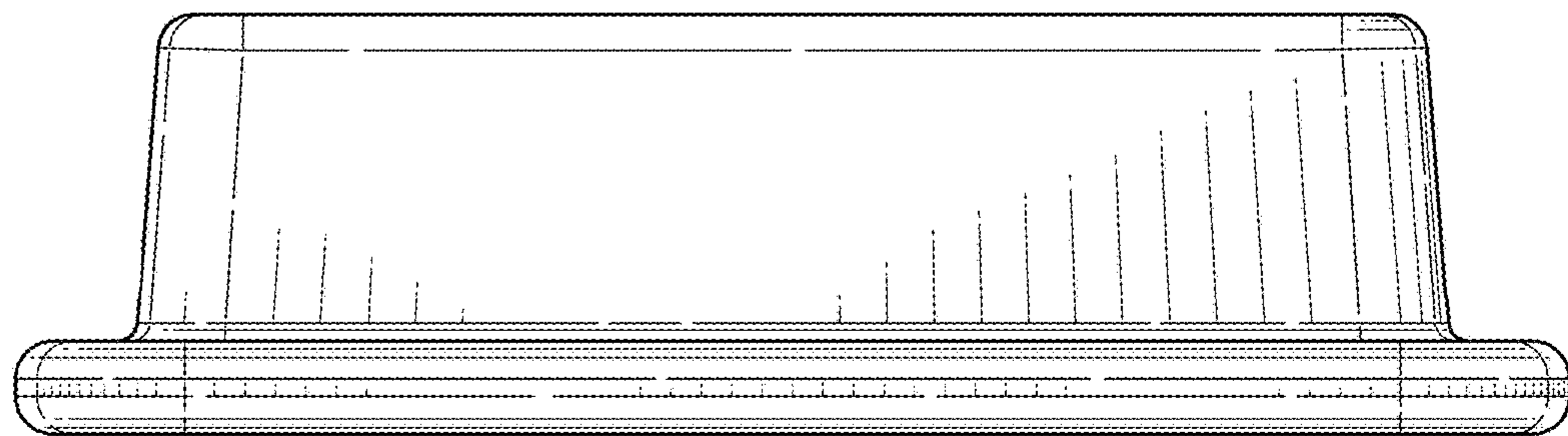


FIG. 8