



US00D832041S

(12) **United States Design Patent**
Jordan et al.

(10) **Patent No.:** **US D832,041 S**
(45) **Date of Patent:** **** Oct. 30, 2018**

(54) **CANDY DISPENSER SHOE ATTACHMENT**

(71) Applicant: **CANDY COLLECTIBLES, LLC.**,
Kearney, MO (US)

(72) Inventors: **Christine L. Jordan**, Kearney, MO
(US); **Lawrence E. Guerra**, Mission,
KS (US)

(**) Term: **15 Years**

(21) Appl. No.: **29/547,362**

(22) Filed: **Dec. 3, 2015**

(51) **LOC (11) Cl.** **07-06**

(52) **U.S. Cl.**
USPC **D7/401.1**

(58) **Field of Classification Search**
USPC D7/589, 401.1, 300, 305, 306, 310, 312,
D7/313, 590, 591, 592, 596, 601, 602,
D7/705, 635, 640, 641, 387, 392, 396.6,
D7/397, 403, 213; D9/730, 338, 339,
D9/414, 416, 417, 434, 435, 447, 443,
D9/449, 454, 499; 206/37, 527, 815;
220/558, 200, 200.01, 200.04, 200.05,
220/200.06, 200.07, 200.12, 200.17,
220/200.22, 200.27, 153.04, 153.05,
220/153.07, 153.1, 156, 175, 469, 501;
401/55, 68
CPC .. B65H 1/08; G07F 11/14; A63H 1/16; A63H
1/20
See application file for complete search history.

(56) **References Cited**

U.S. PATENT DOCUMENTS

D16,253 S * 9/1885 Meyer D9/414
D59,713 S * 11/1921 Clark D7/641
D122,381 S * 9/1940 Boylan D6/515
2,542,173 A * 2/1951 Wolf A47G 19/26
220/200
D196,376 S * 9/1963 Hines D20/8
D197,579 S * 2/1964 Vernon 221/186

D201,518 S * 6/1965 Hunt D7/589
D211,450 S * 6/1968 Caine D7/641
D249,929 S * 10/1978 Russert D9/607
4,513,885 A * 4/1985 Hogan G01F 11/125
222/105
D282,617 S * 2/1986 Hogan D7/308
(Continued)

OTHER PUBLICATIONS

PEZ Makes You Smile. 2015, Catalog, <http://www.pez.at/en/Company/Catalogue>, 17 pages.

Primary Examiner — Shannon W Morgan
(74) *Attorney, Agent, or Firm* — Lathrop Gage L.L.P.

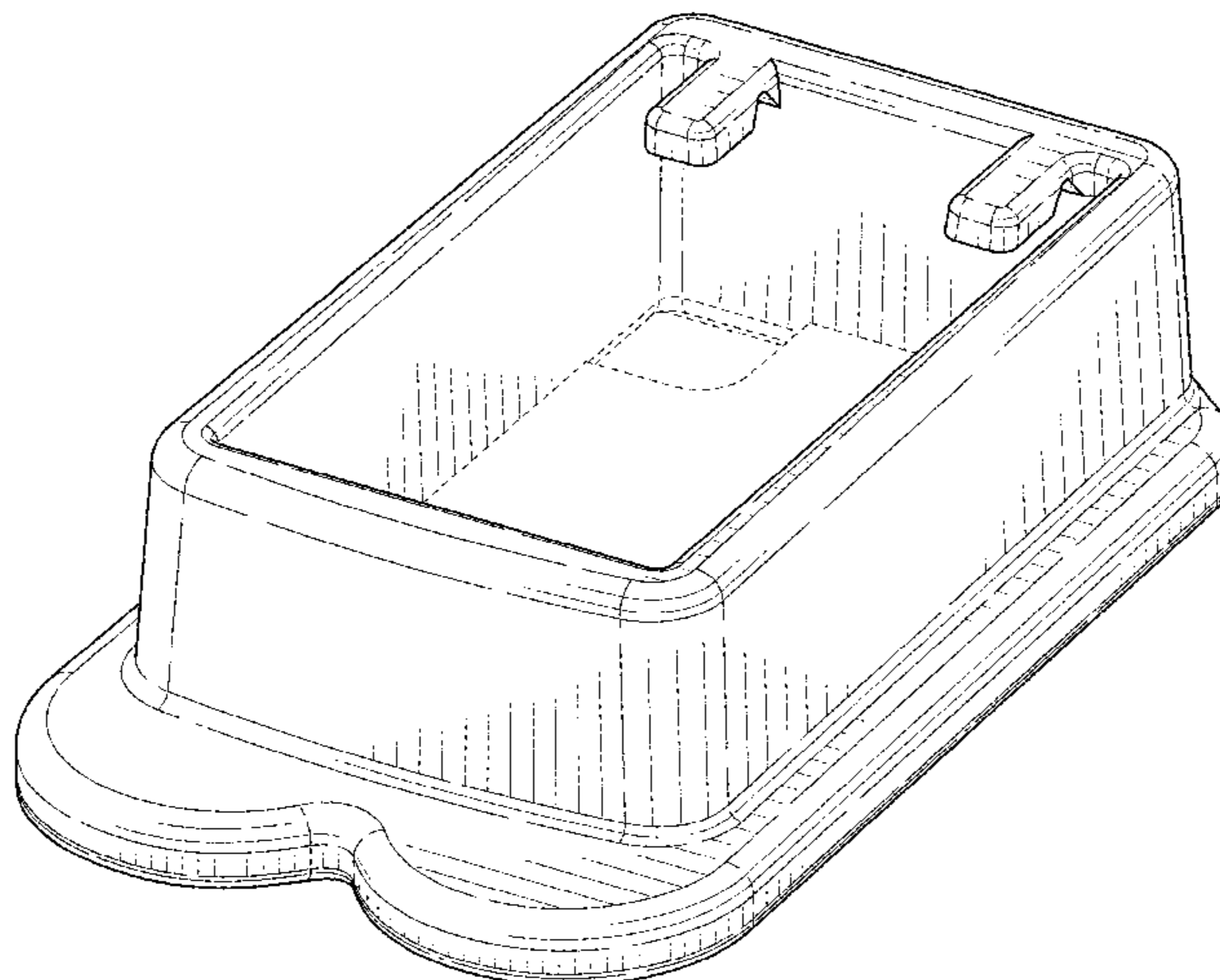
(57) **CLAIM**

The ornamental design for a candy dispenser shoe attachment, as shown and described.

DESCRIPTION

FIG. 1 is a top perspective view of a candy dispenser shoe attachment showing the new design.
FIG. 2 is another top perspective view of the candy dispenser shoe attachment of FIG. 1.
FIG. 3 is a top view of the candy dispenser shoe attachment of FIG. 1.
FIG. 4 is a bottom view of the candy dispenser shoe attachment of FIG. 1.
FIG. 5 is a side elevation view of the candy dispenser shoe attachment of FIG. 1.
FIG. 6 is another side elevation view of the candy dispenser shoe attachment of FIG. 1.
FIG. 7 is a front elevation view of the candy dispenser shoe attachment of FIG. 1; and,
FIG. 8 is a rear elevation view of the candy dispenser shoe attachment of FIG. 1.
The broken lines in the figures depict portions of the candy dispenser shoe attachment that form no part of the claimed design.

1 Claim, 6 Drawing Sheets



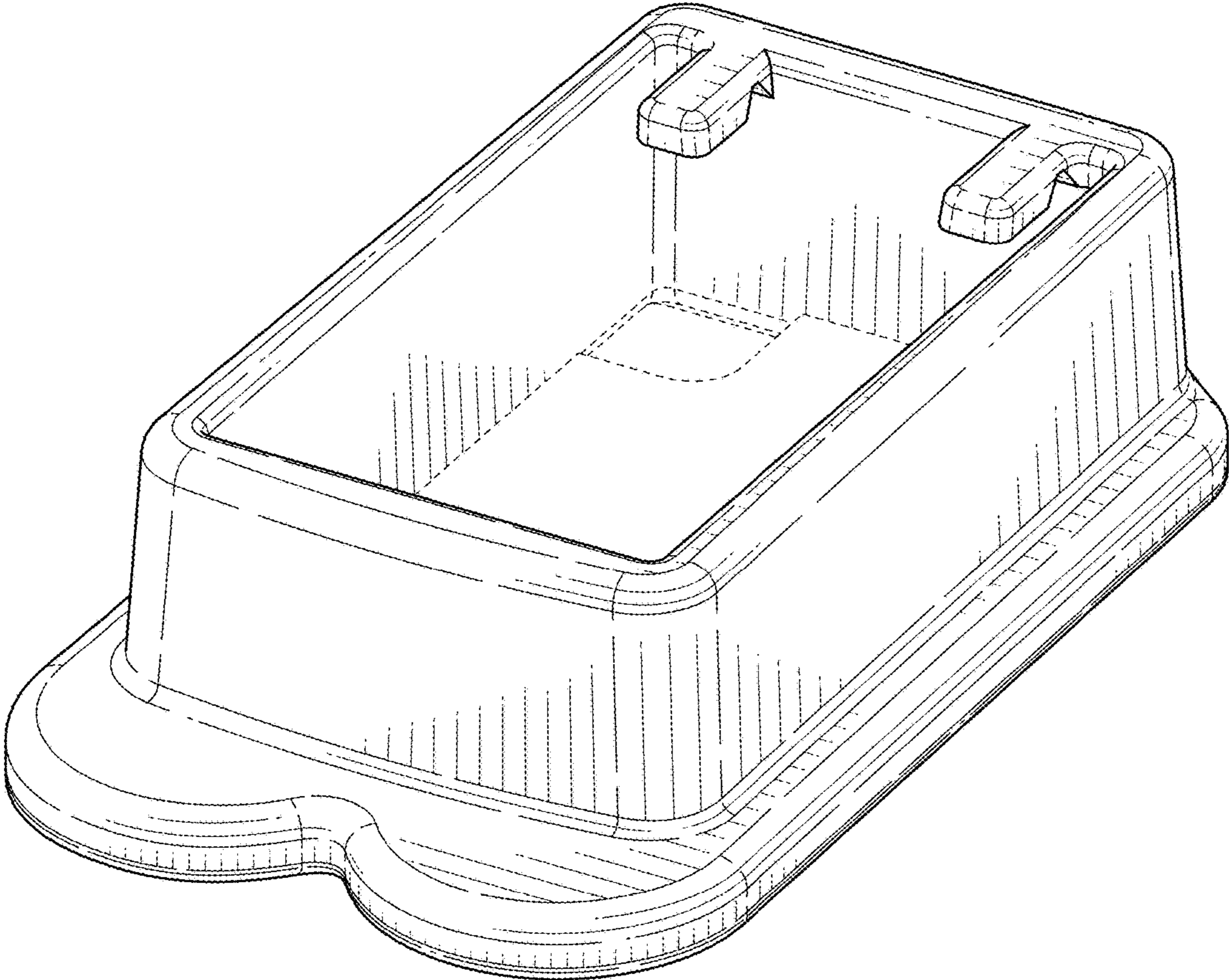


FIG. 1

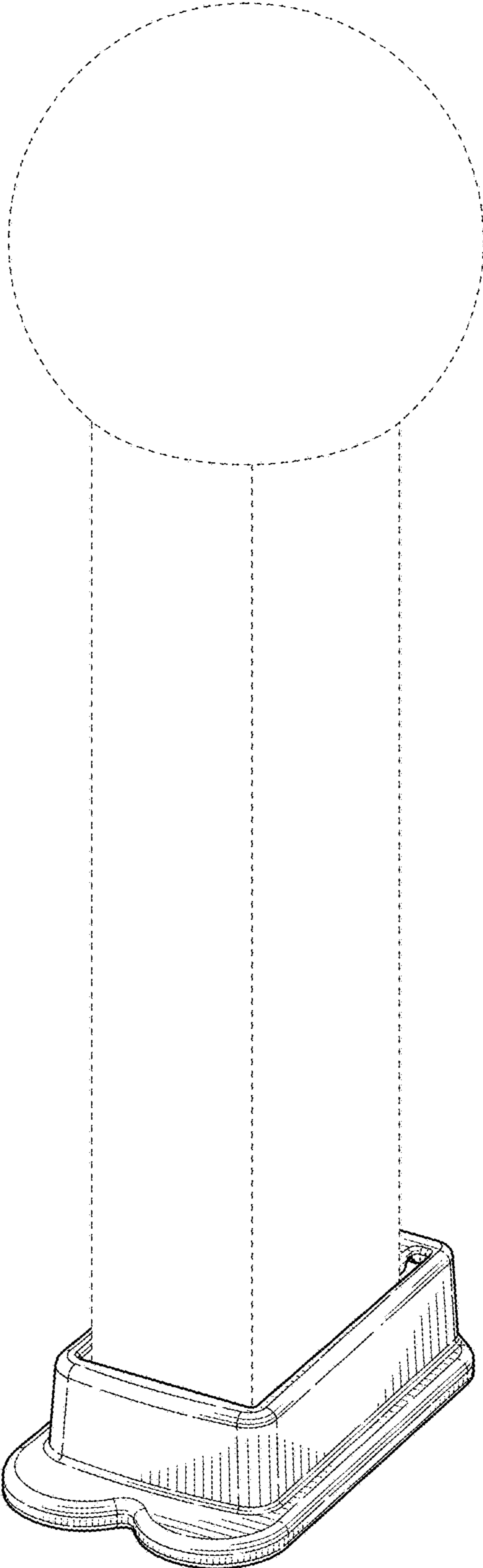


FIG. 2

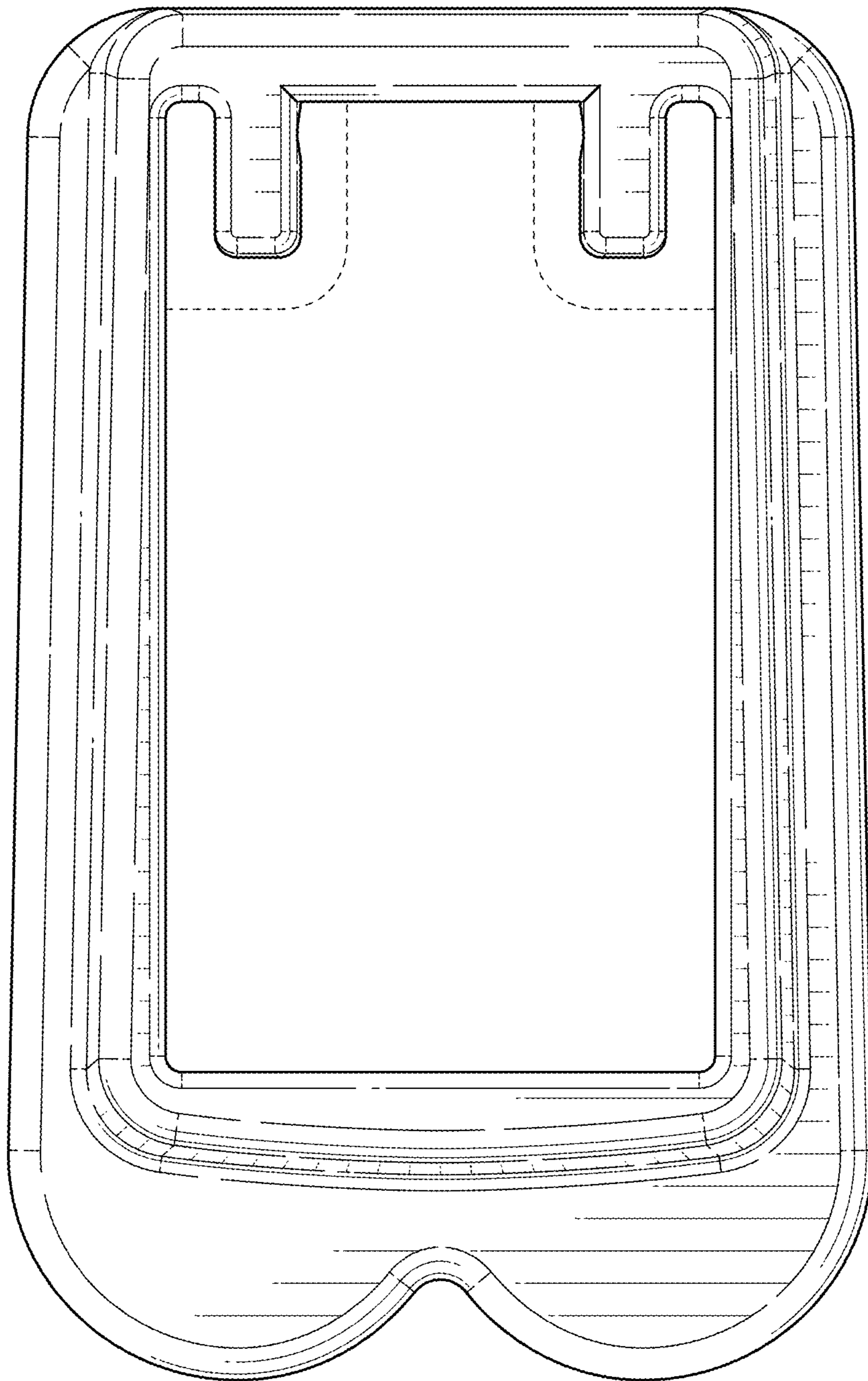


FIG. 3

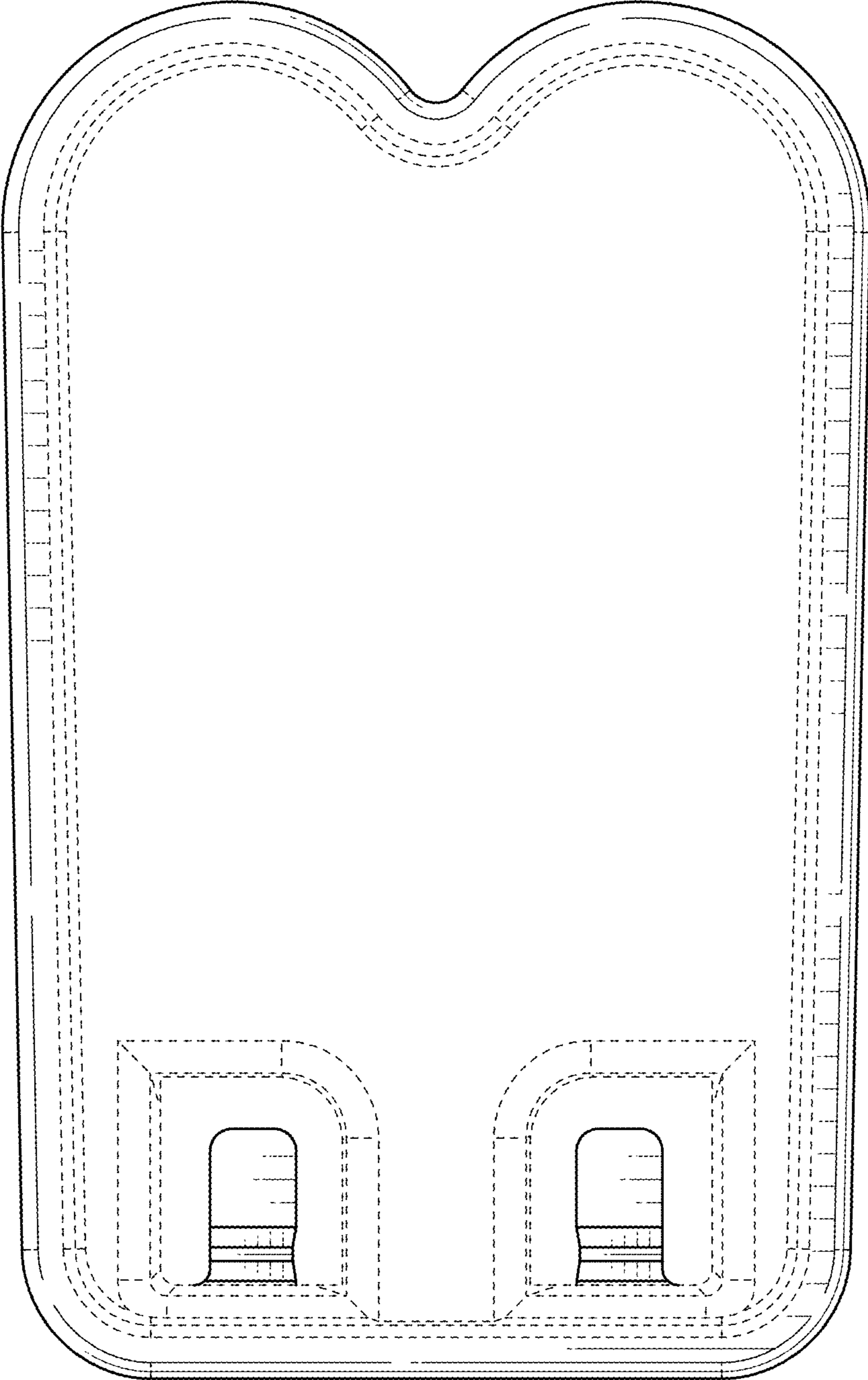


FIG. 4

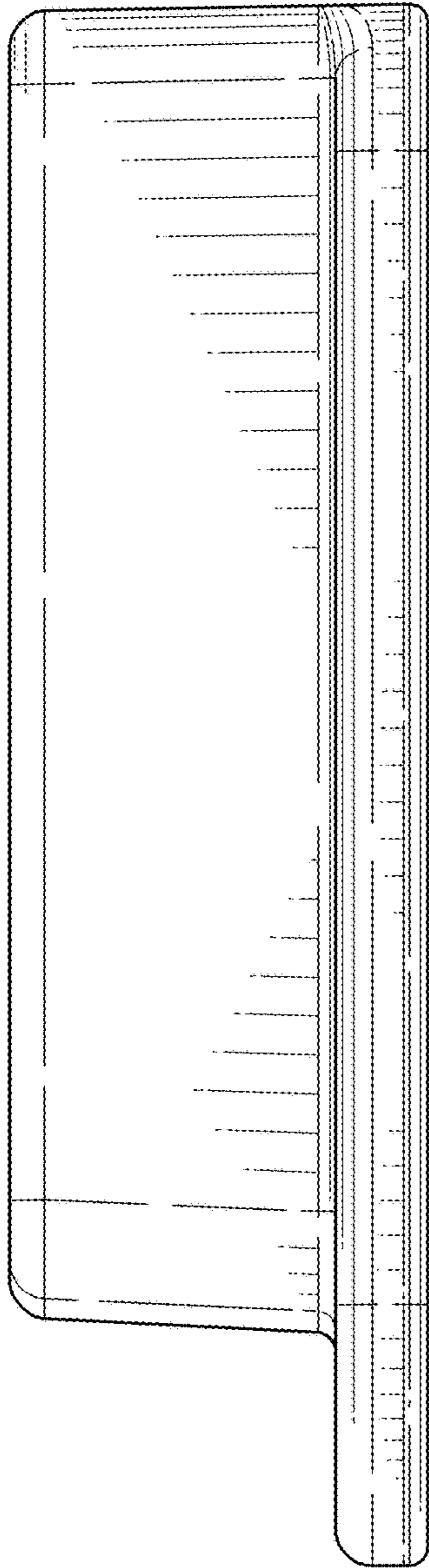


FIG. 5

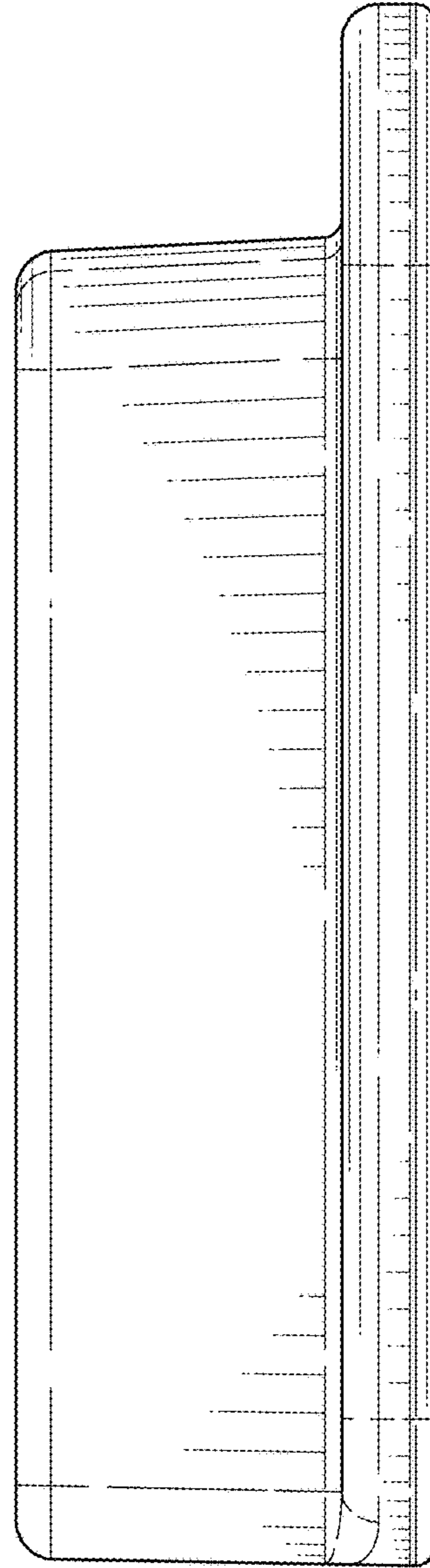


FIG. 6

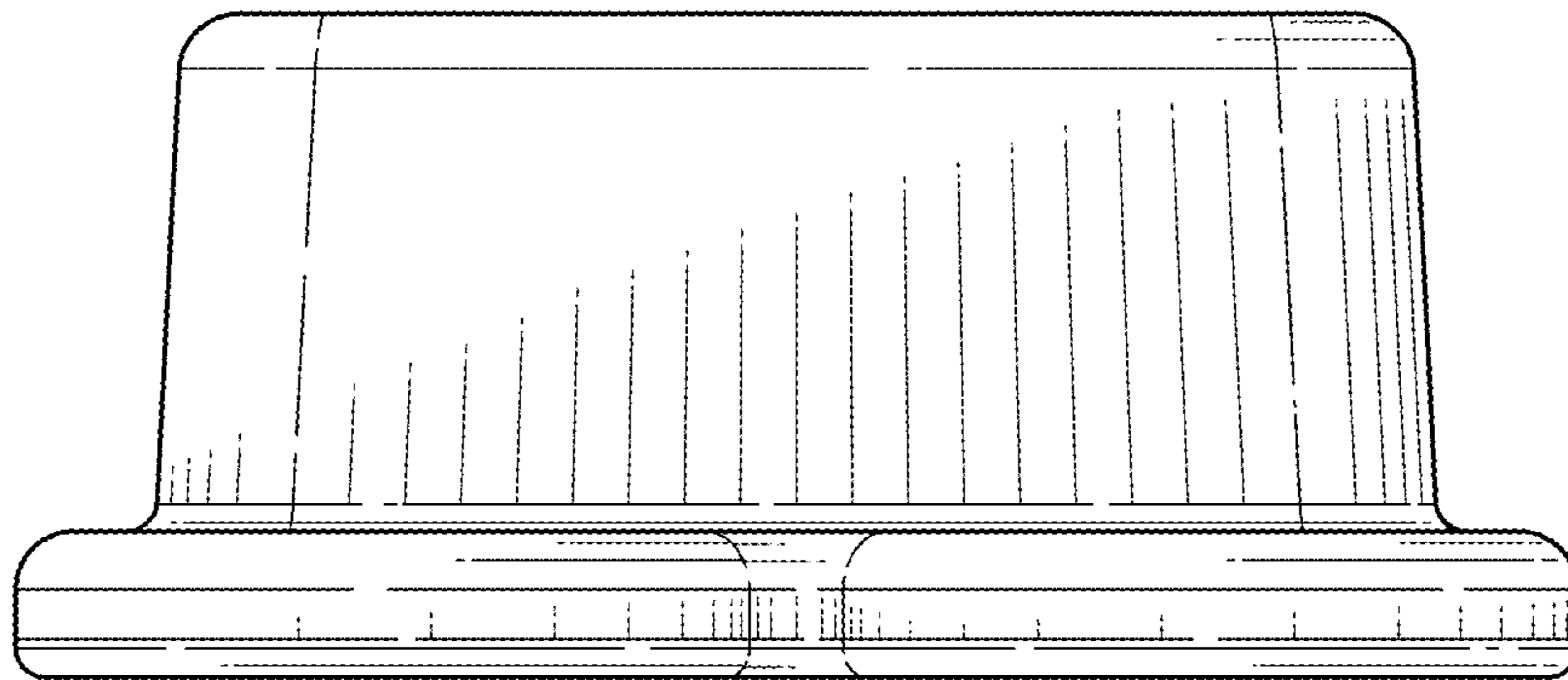


FIG. 7

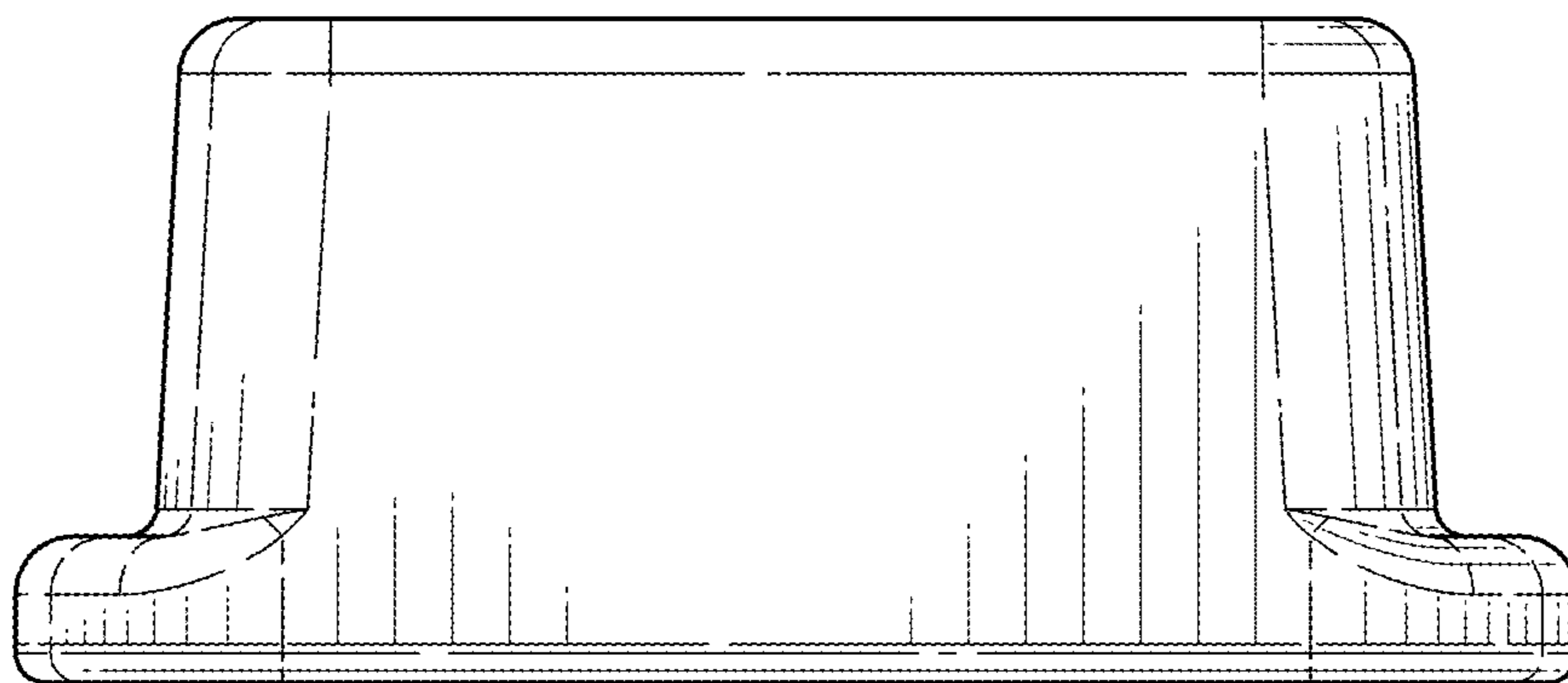


FIG. 8