



US00D832040S

(12) **United States Design Patent** (10) **Patent No.:** **US D832,040 S**  
**Lee** (45) **Date of Patent:** **\*\* Oct. 30, 2018**

(54) **COLLAPSIBLE COFFEE DRIPPER**

(71) Applicant: **Kikkerland Design, Inc.**, New York, NY (US)

(72) Inventor: **Jaeyu Lee**, New York, NY (US)

(73) Assignee: **Kikkerland Design, Inc.**, New York, NY (US)

(\*\*) Term: **15 Years**

(21) Appl. No.: **29/617,154**

(22) Filed: **Sep. 12, 2017**

(51) **LOC (11) Cl.** ..... **07-99**

(52) **U.S. Cl.**  
USPC ..... **D7/400**

(58) **Field of Classification Search**  
USPC ..... D3/304-306, 315; D7/400, 401, 387;  
D11/143, 152  
CPC ..... A47J 31/005; A47J 31/06; B01D 35/02;  
Y10S 47/904  
See application file for complete search history.

(56) **References Cited**

**U.S. PATENT DOCUMENTS**

D258,428 S *	3/1981	Junor	.....	D12/205
5,267,664 A *	12/1993	Younikian	.....	A45C 5/045
				220/489
D357,356 S *	4/1995	Muresan	.....	D3/306
D382,710 S *	8/1997	Henderson	.....	D3/305
D646,933 S *	10/2011	Goodman	.....	D7/601
D723,805 S *	3/2015	Habraken	.....	D3/306
D778,668 S *	2/2017	Hojo	.....	D7/400
D807,130 S *	1/2018	Popa	.....	D8/1
D810,438 S *	2/2018	Romzek	.....	D3/306
2009/0038219 A1 *	2/2009	Bitel	.....	A01G 23/04
				47/73

**OTHER PUBLICATIONS**

Coffee Dripper | posted at Amazon.com, posted on Aug. 3, 2017, © 1996-2018 Amazon.com,[online], [site visited Aug. 24, 2018]. Available from Internet, <URL:https://www.amazon.com/Kikkerland-CU170-Collapsible-Coffee-Dripper/dp/B074JF6SL9/> (Year: 2017).\*

\* cited by examiner

*Primary Examiner* — Daniel D Bui

*Assistant Examiner* — Andrew Kerr

(74) *Attorney, Agent, or Firm* — Charles H Jew

(57) **CLAIM**

The ornamental design for a collapsible coffee dripper, as shown and described.

**DESCRIPTION**

FIG. 1 is a front elevational view of a collapsible coffee dripper showing my new design, in a collapsed configuration;

FIG. 2 is a rear elevational view thereof;

FIG. 3 is a left elevational view thereof;

FIG. 4 is a right elevational view thereof;

FIG. 5 is a top plan view thereof;

FIG. 6 is a bottom plan view thereof;

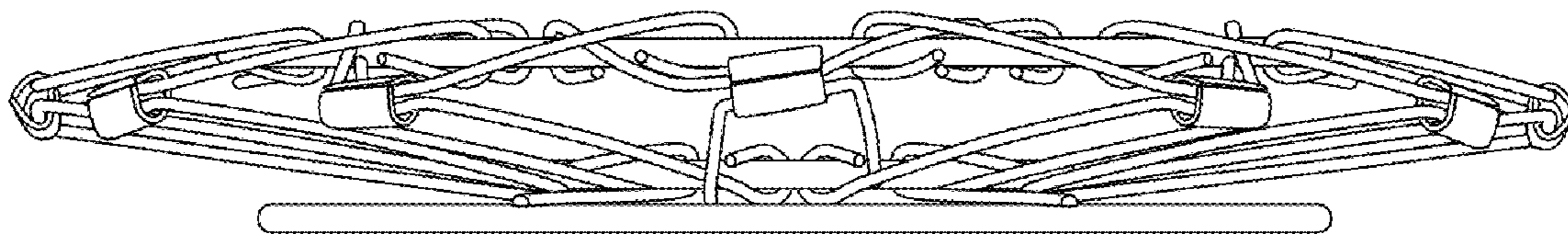
FIG. 7 is a front perspective view thereof;

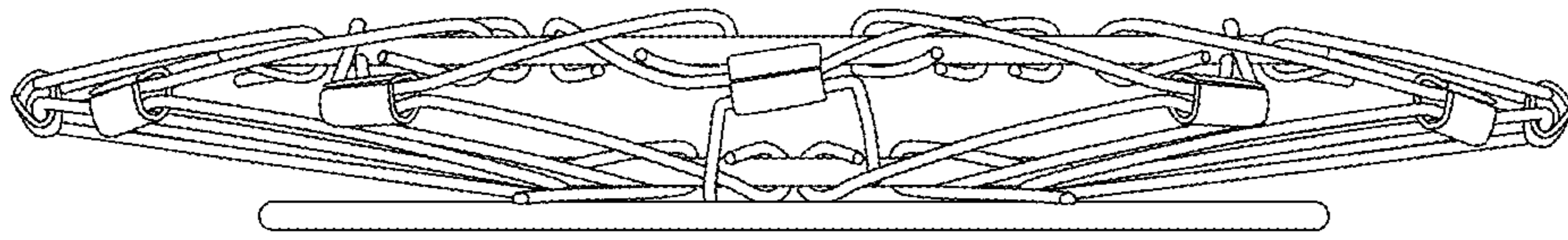
FIG. 8 is a front perspective view thereof, in an expanded configuration; and,

FIG. 9 is a front perspective view thereof, in an expanded configuration in use condition.

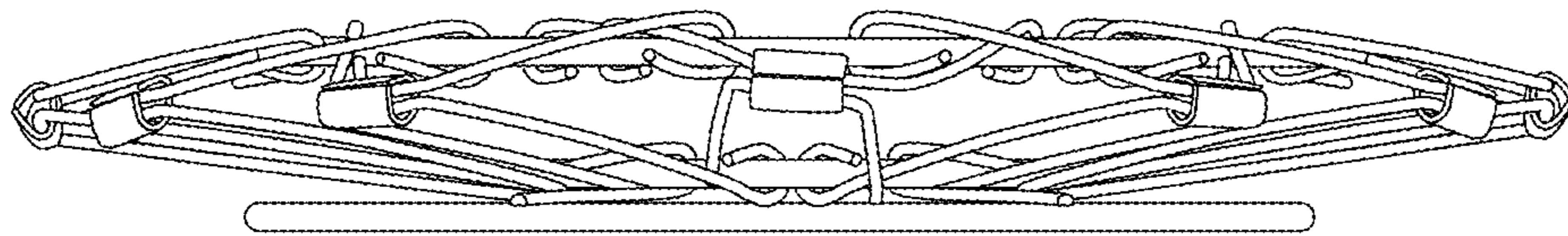
The broken lines showing portions of the collapsible coffee dripper in FIG. 9 are for the purpose of illustrating environmental structure only and forms no part of the claimed design.

**1 Claim, 4 Drawing Sheets**

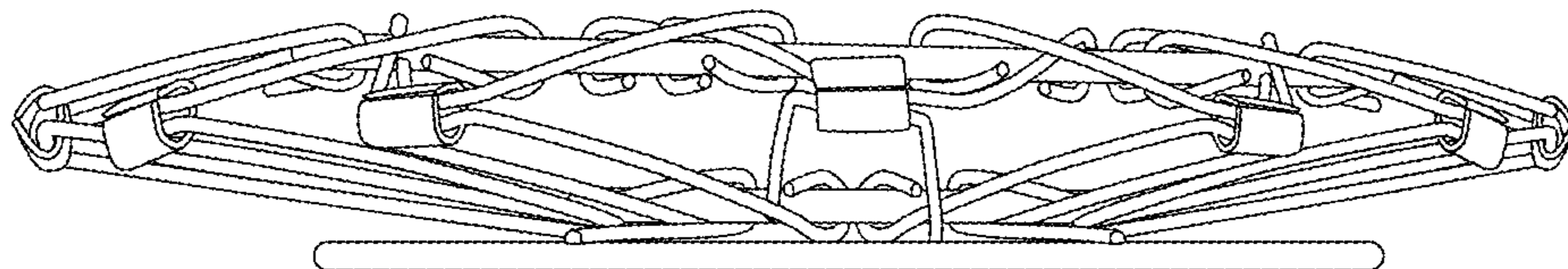




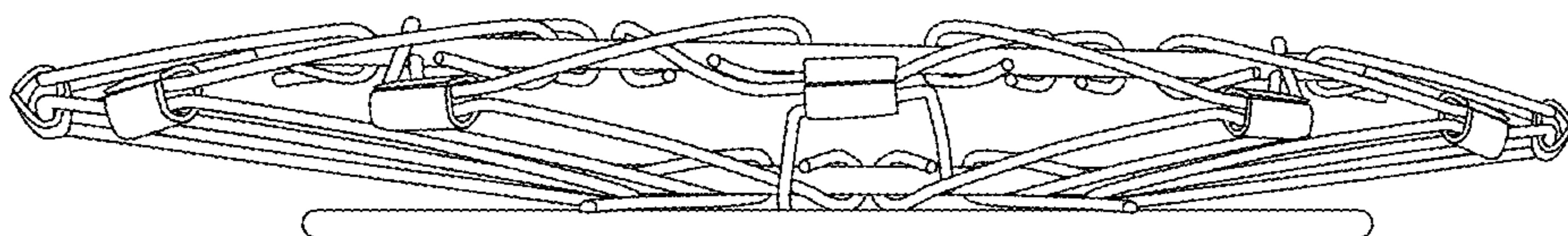
**FIG. 1**



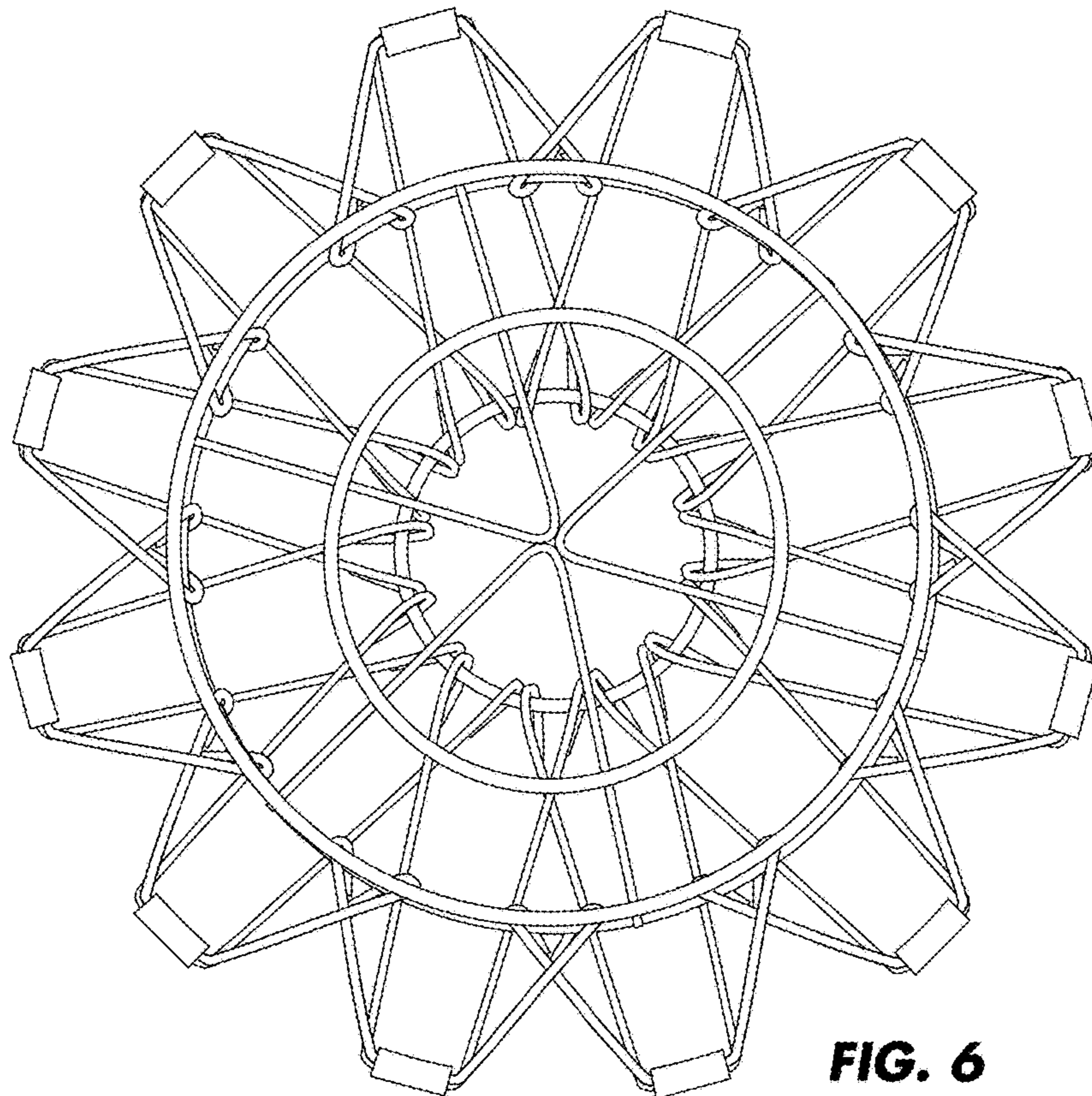
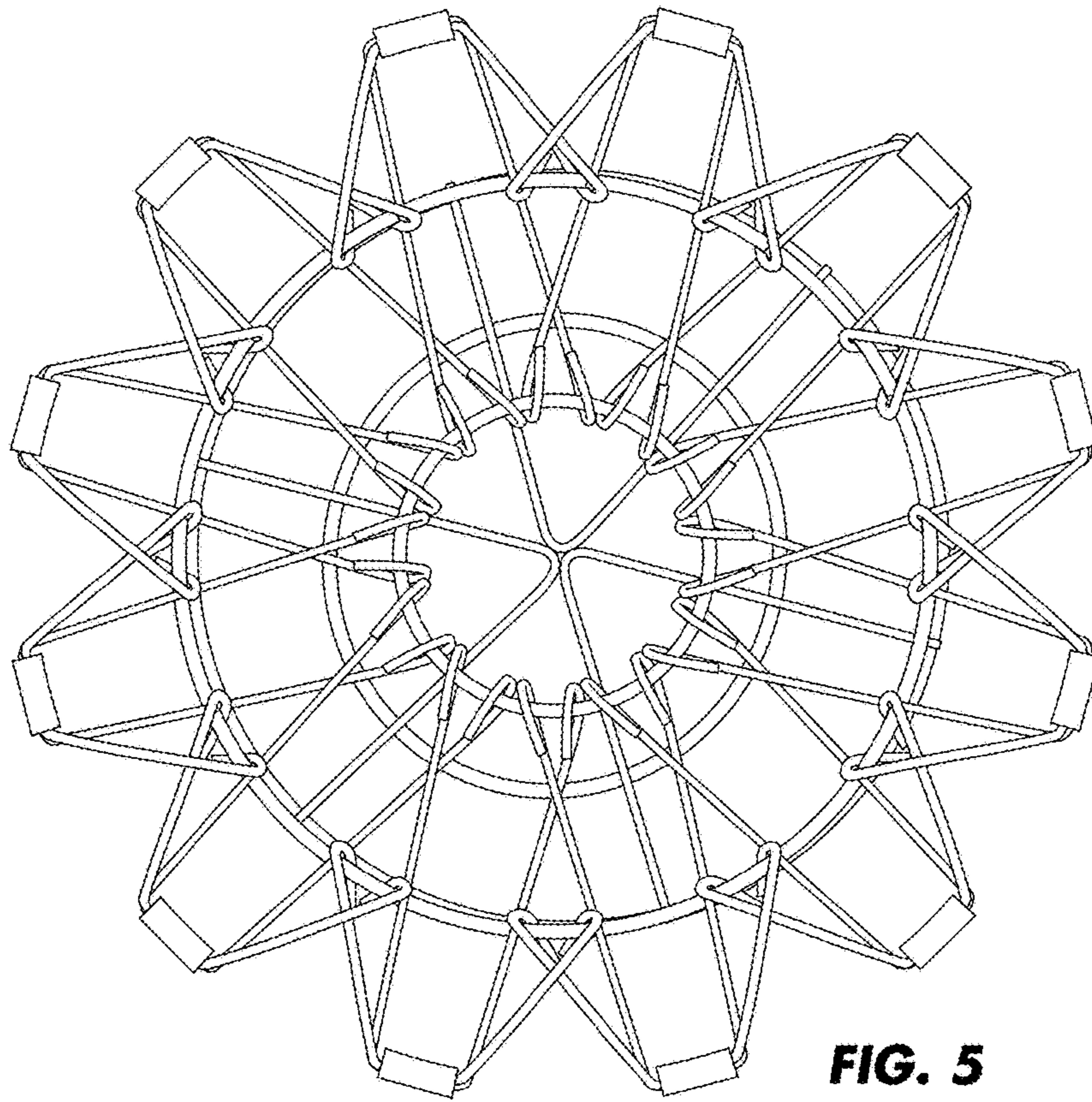
**FIG. 2**

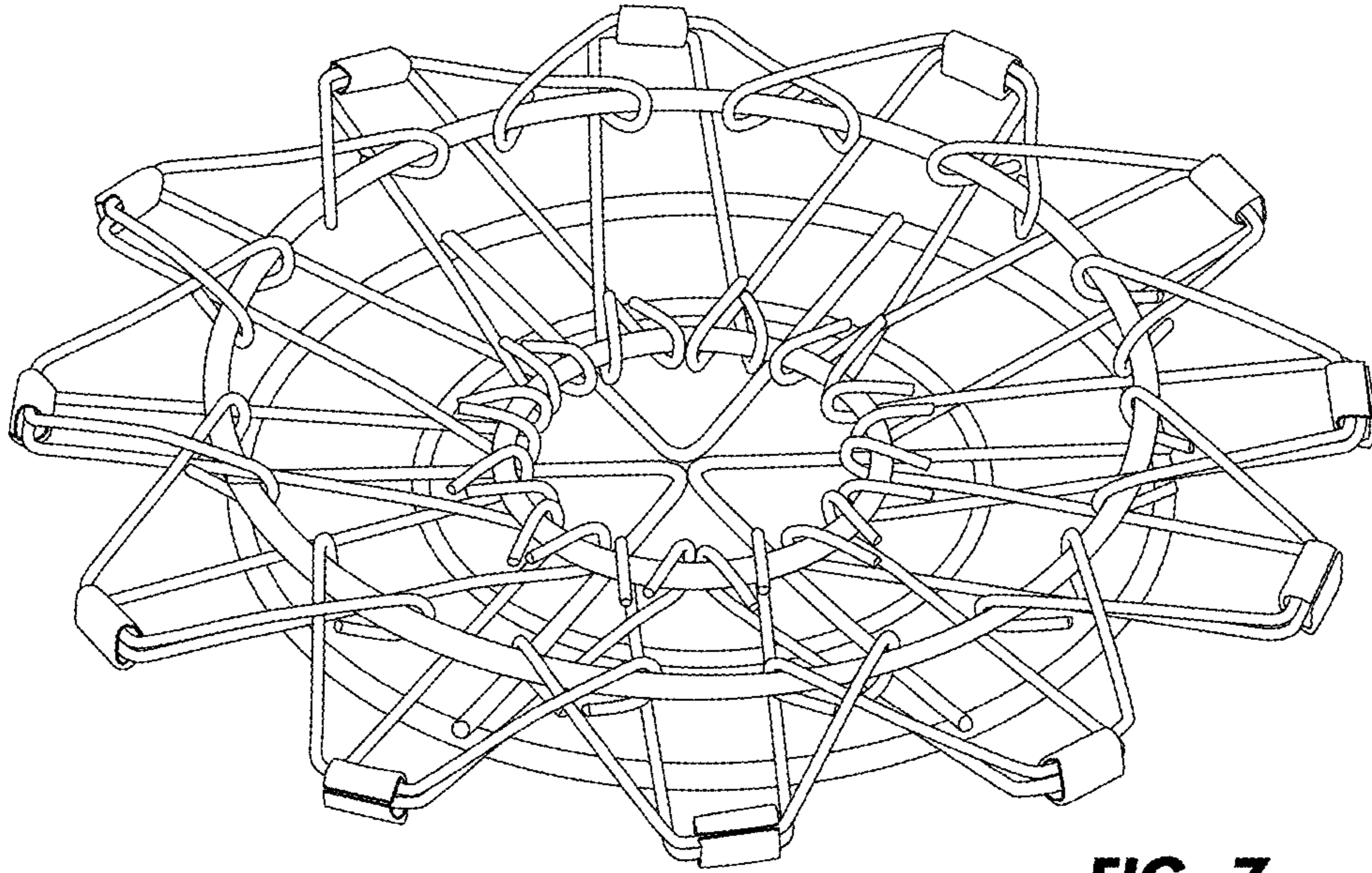


**FIG. 3**

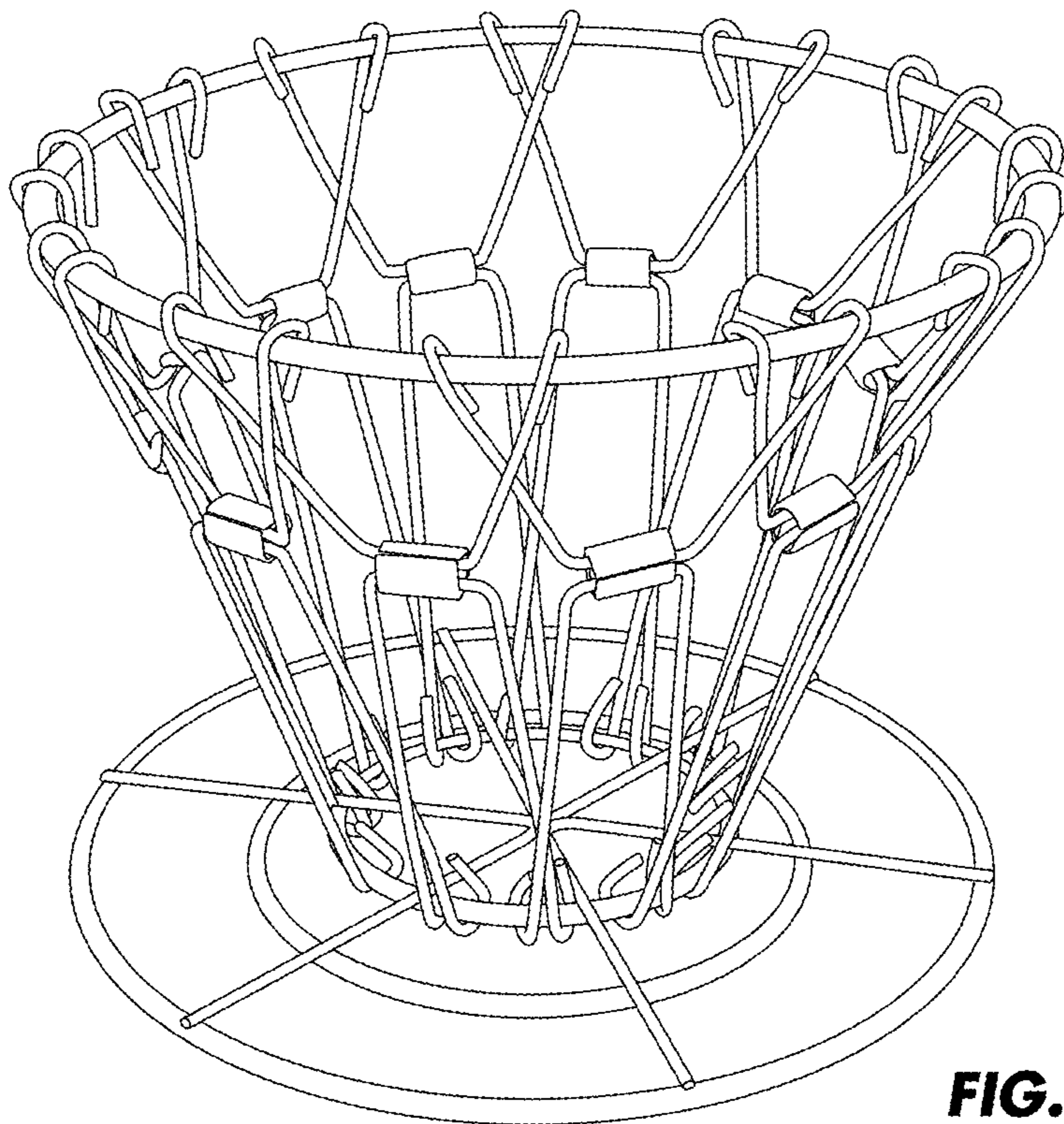


**FIG. 4**

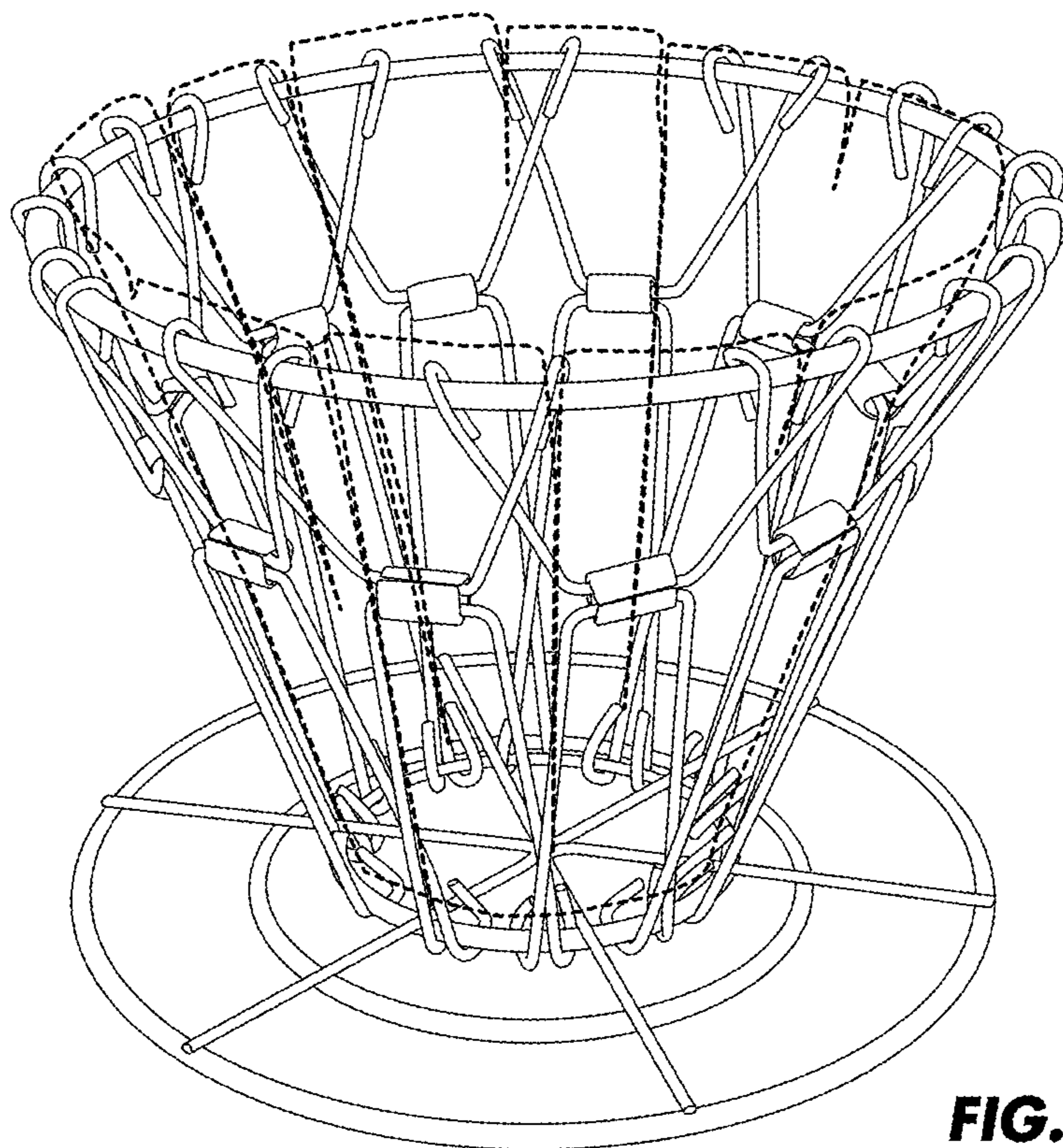




**FIG. 7**



**FIG. 8**



**FIG. 9**