



US00D832038S

(12) **United States Design Patent**  
**Lin**

(10) **Patent No.:** **US D832,038 S**

(45) **Date of Patent:** **\*\* Oct. 30, 2018**

(54) **TAP**  
(71) Applicant: **Dongsheng Lin, Yuyao (CN)**  
(72) Inventor: **Dongsheng Lin, Yuyao (CN)**  
(\*\*) Term: **15 Years**

6,086,045 A \* 7/2000 Moon ..... F16K 41/103  
251/109  
7,270,156 B2 \* 9/2007 Beesley ..... A47J 43/046  
141/82  
D575,104 S \* 8/2008 Sommerfield ..... D7/398  
8,418,991 B2 \* 4/2013 Meyer ..... B67D 3/0058  
251/263  
8,418,992 B2 \* 4/2013 Meyer ..... F16K 35/025  
251/102

(21) Appl. No.: **29/642,848**

\* cited by examiner

(22) Filed: **Apr. 3, 2018**

(51) **LOC (11) Cl.** ..... **07-01**

*Primary Examiner* — Robert A Delehanty

(52) **U.S. Cl.**  
USPC ..... **D7/398**

(74) *Attorney, Agent, or Firm* — Gokalp Bayramoglu

(58) **Field of Classification Search**  
USPC ..... D7/398, 313, 315, 306  
CPC ..... B67D 3/02; B65D 3/0016; A47J 43/046  
See application file for complete search history.

(57) **CLAIM**

The ornamental design for a tap, as shown and described.

**DESCRIPTION**

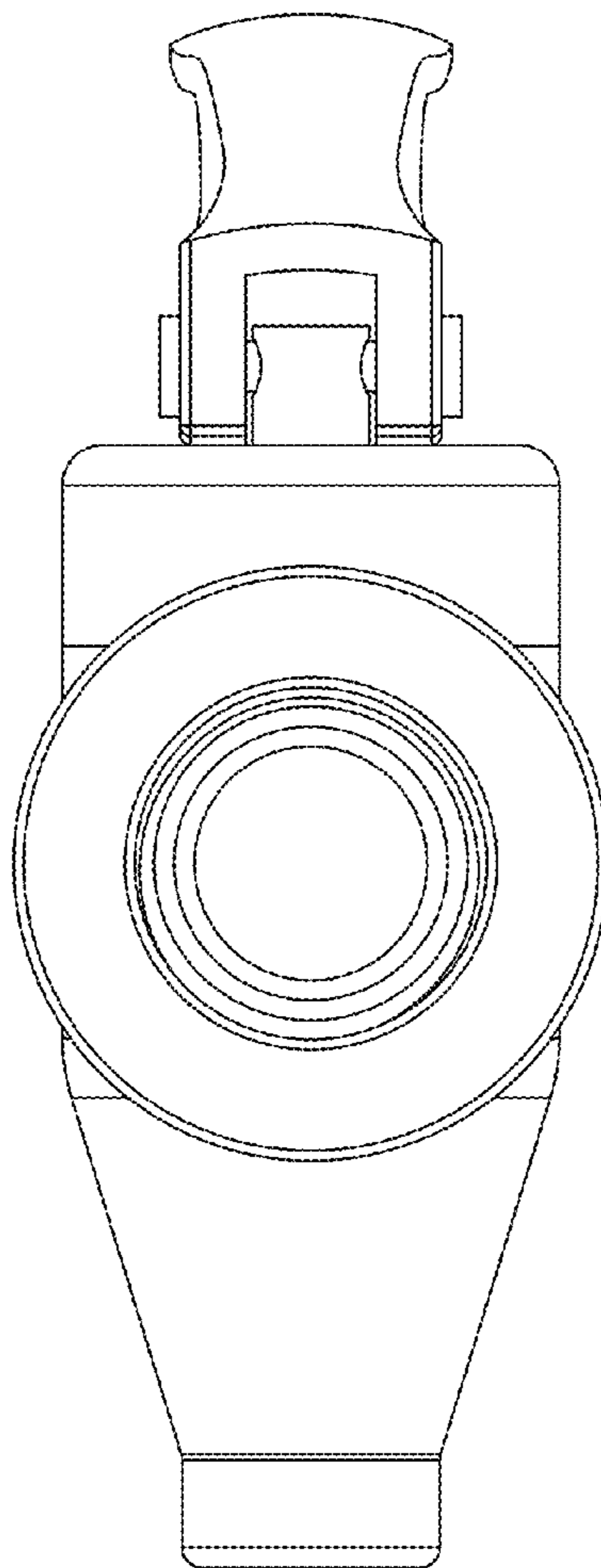
(56) **References Cited**

U.S. PATENT DOCUMENTS

D189,335 S \* 11/1960 Whetstone ..... D7/398  
D189,904 S \* 3/1961 Seltsam ..... D7/398  
3,104,089 A \* 9/1963 Seltsam ..... B67D 1/1466  
16/441

FIG. 1 is a rear view of a tap showing the new design;  
FIG. 2 is a left side view thereof;  
FIG. 3 is a front view thereof;  
FIG. 4 is a right side view thereof;  
FIG. 5 is a bottom view thereof;  
FIG. 6 is a top view thereof; and,  
FIG. 7 is a perspective view thereof.

**1 Claim, 7 Drawing Sheets**



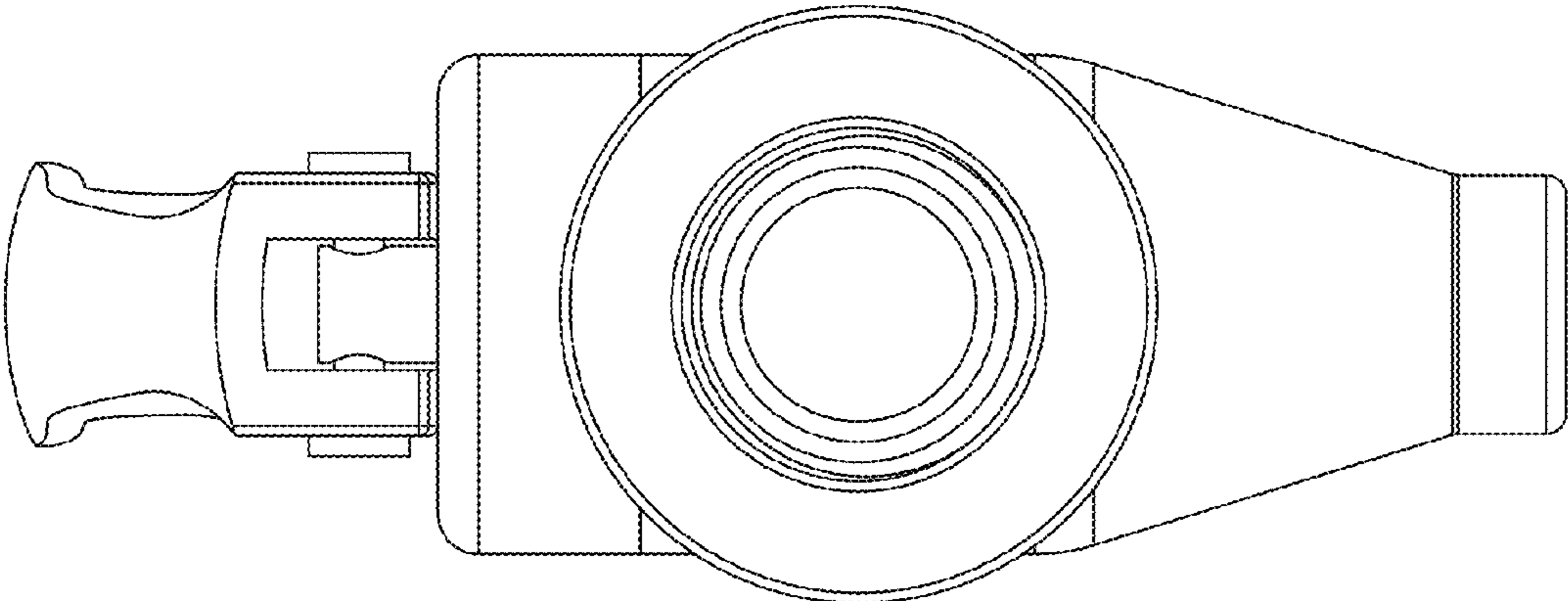


Figure 1

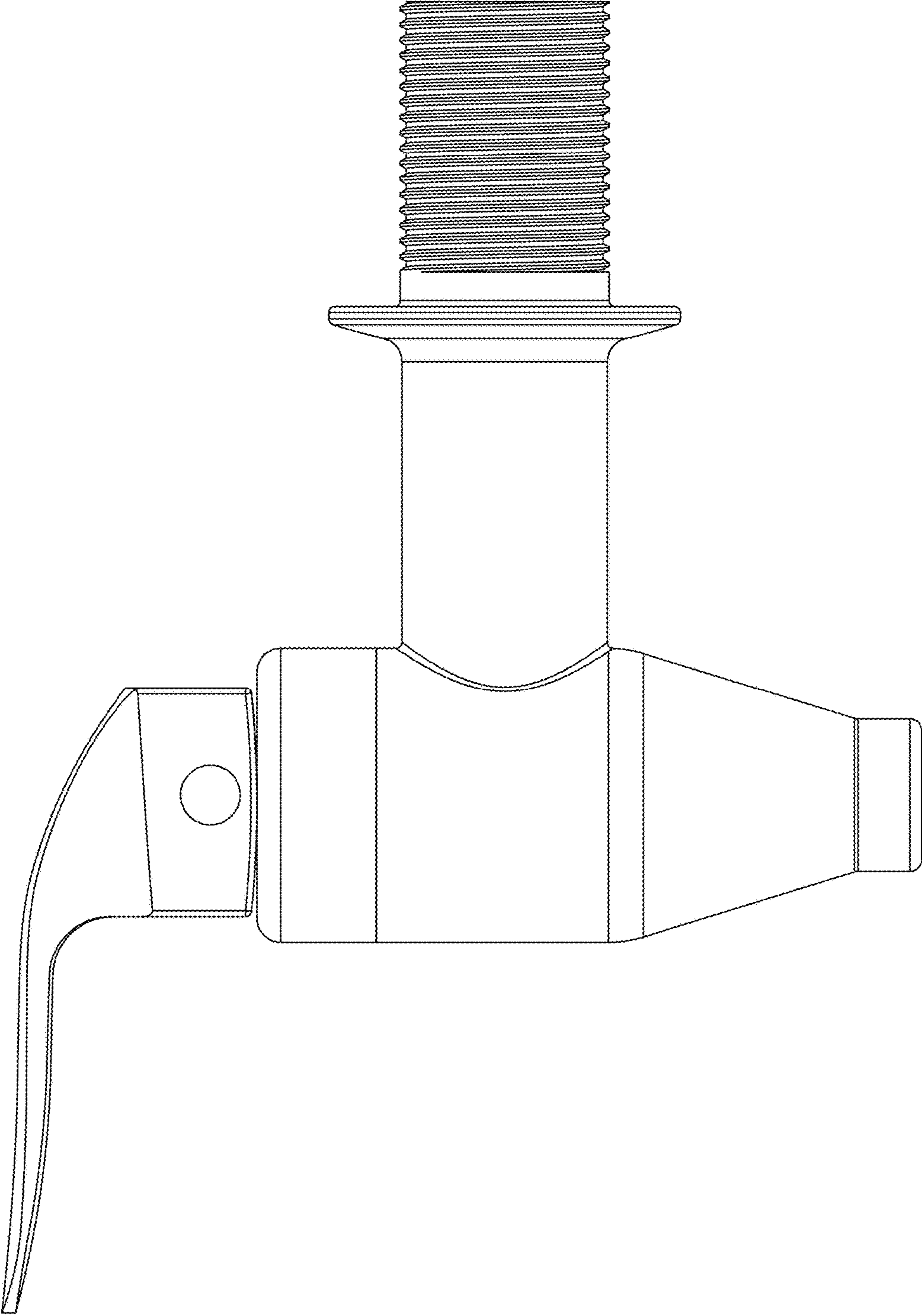


Figure 2

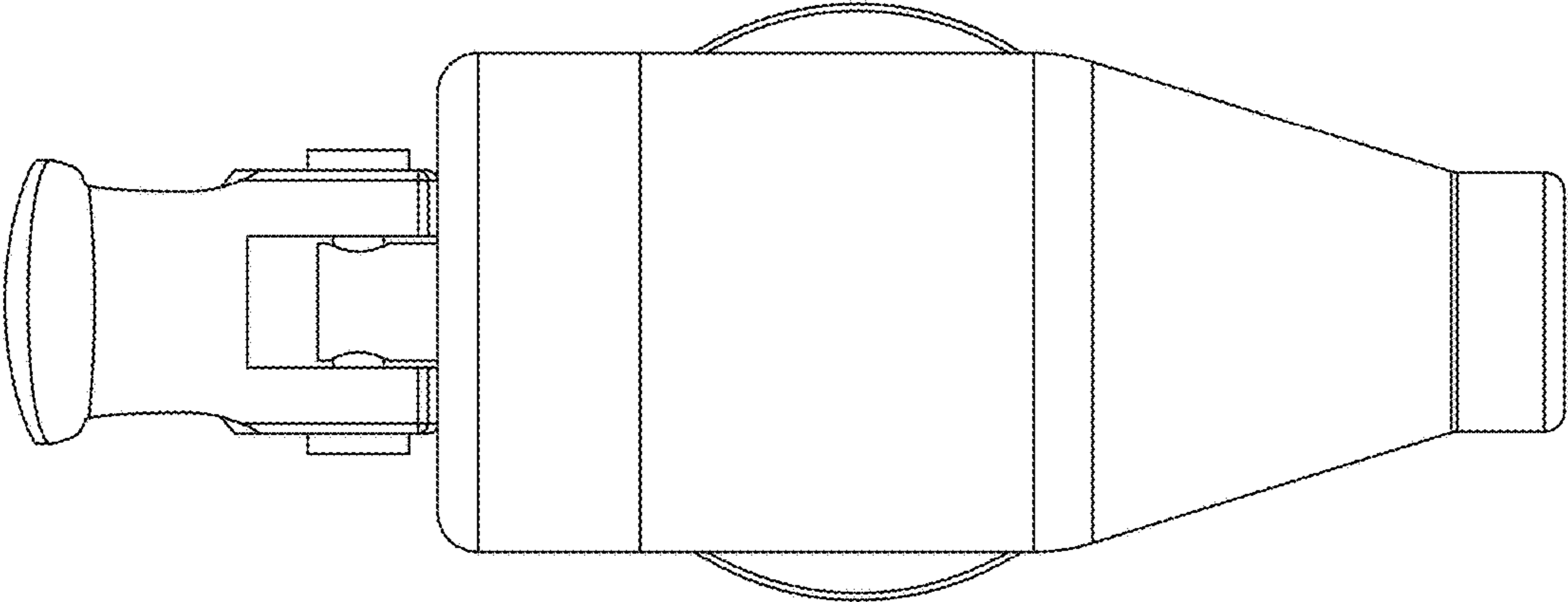


Figure 3

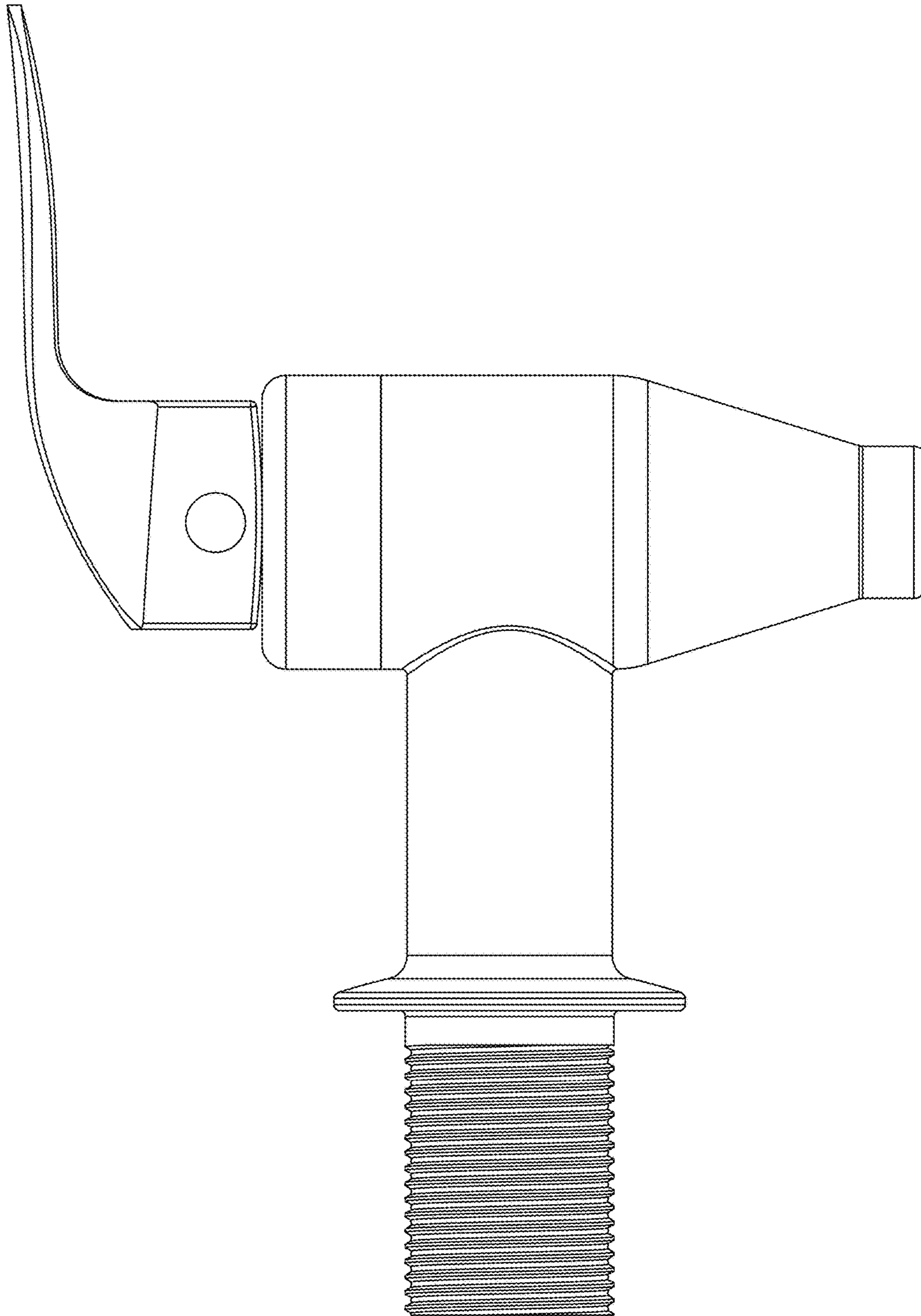


Figure 4

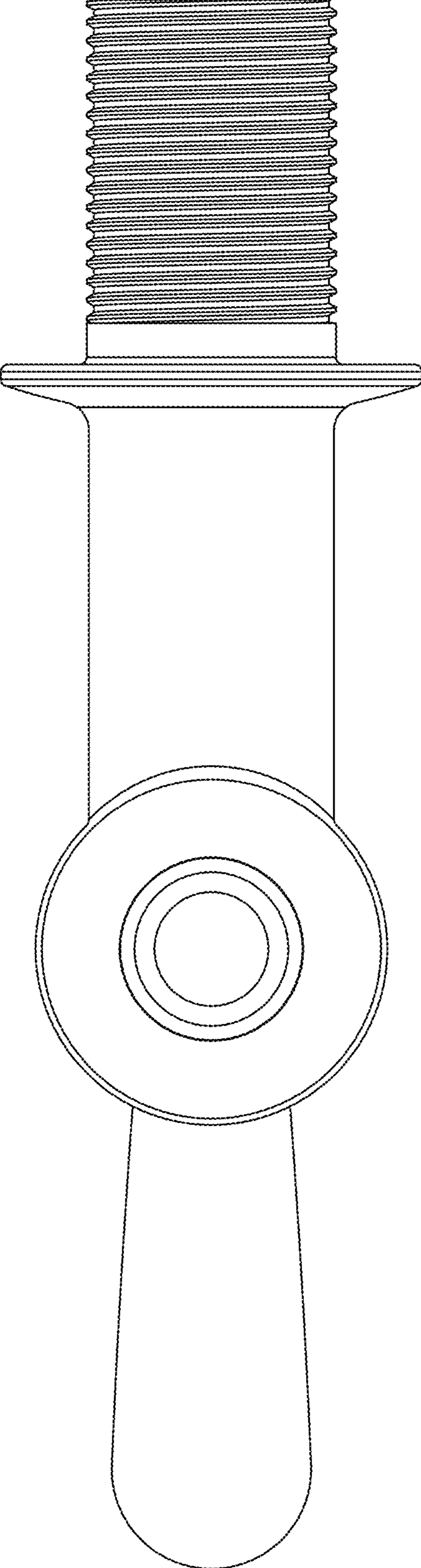


Figure 5



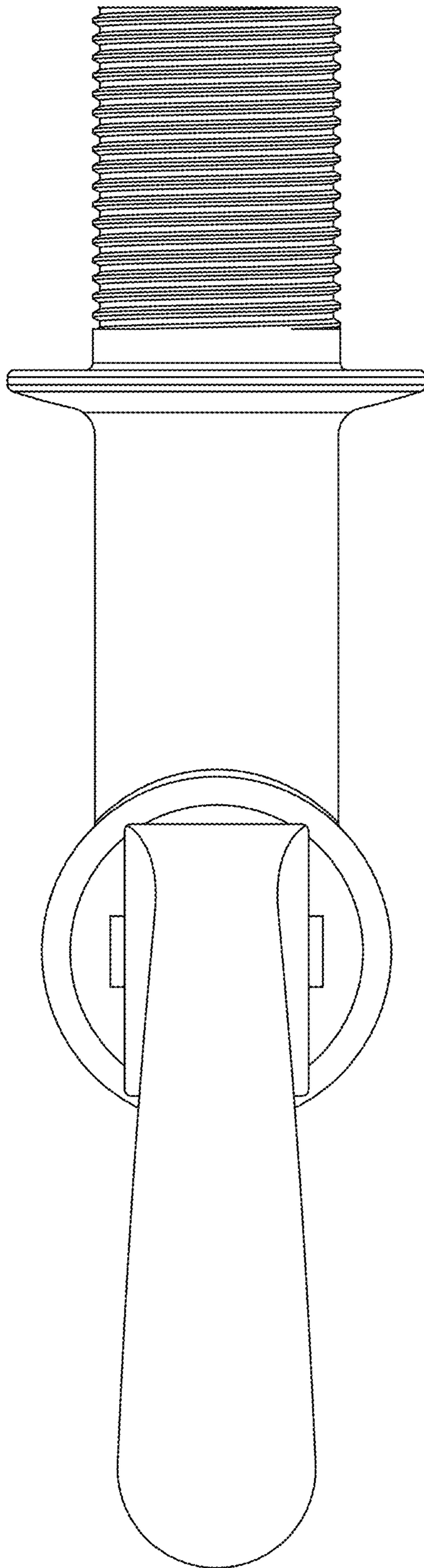


Figure 6

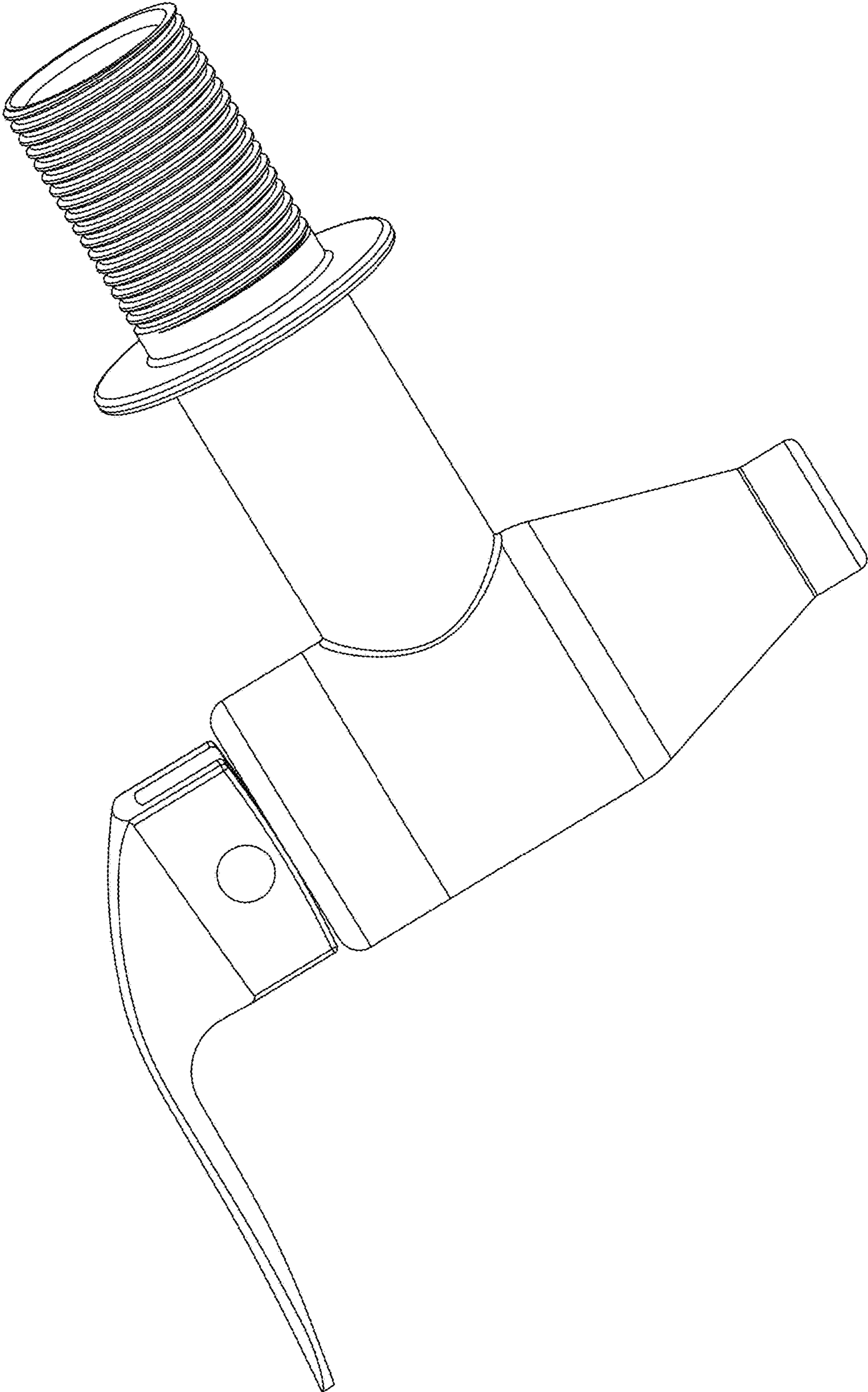


Figure 7