



US00D832037S

(12) **United States Design Patent**
Gallagher

(10) **Patent No.:** **US D832,037 S**

(45) **Date of Patent:** **** Oct. 30, 2018**

(54) **BOTTLE DISPENSER BASE**

(71) Applicant: **Kenneth John Gallagher**, Las Vegas,
NV (US)

(72) Inventor: **Kenneth John Gallagher**, Las Vegas,
NV (US)

(**) Term: **15 Years**

(21) Appl. No.: **29/618,780**

(22) Filed: **Sep. 24, 2017**

Related U.S. Application Data

(63) Continuation-in-part of application No. 29/589,064,
filed on Dec. 27, 2016, now Pat. No. Des. 807,115,
which is a continuation-in-part of application No.
29/571,331, filed on Jul. 18, 2016.

(51) **LOC (11) Cl.** **07-99**

(52) **U.S. Cl.**
USPC **D7/397**; D7/313; D7/619.1

(58) **Field of Classification Search**
USPC D7/300, 306-311, 305, 397, 313, 619.1,
D7/355, 362, 365, 367, 624.1, 387, 388;
222/146.6, 185.1, 135; 99/295, 273, 304,
99/288, 279, 307, 283; D9/455
CPC A47J 31/46; A47J 31/407; A47J 31/50;
A47J 31/18; A47J 31/00; A47J 27/04;
A47J 31/0573; A47J 31/52
See application file for complete search history.

(56) **References Cited**

U.S. PATENT DOCUMENTS

- 2,784,577 A * 3/1957 Beaham A47G 23/0216
215/393
- 4,290,573 A * 9/1981 Shapiro A23G 9/503
248/152
- 5,143,247 A * 9/1992 Gavle A47G 23/0216
220/630

- D334,874 S * 4/1993 Mealey D7/388
- D366,391 S * 1/1996 Haley D7/387
- 5,984,136 A * 11/1999 Mason A47G 23/0225
220/23.83
- 6,305,817 B1 * 10/2001 Johnston A47G 23/0216
362/101
- D488,962 S * 4/2004 Catt D7/619.1
- 6,793,363 B2 * 9/2004 Jensen A47G 23/0309
362/101
- D577,550 S * 9/2008 Pertuit D7/619.1
- D640,891 S * 7/2011 Smith D7/307
- D662,365 S * 6/2012 Howes D7/603
- D668,903 S * 10/2012 Walton D7/306
- D677,102 S * 3/2013 Walton D7/306
- D774,824 S * 12/2016 Gallagher D7/313
- D775,901 S * 1/2017 Lee D7/603
- D789,157 S * 6/2017 Esposito D7/619.1
- D807,115 S * 1/2018 Gallagher D7/397

* cited by examiner

Primary Examiner — Marianne Pandozzi

(57) **CLAIM**

The ornamental design for an bottle dispenser base, as
shown.

DESCRIPTION

FIG. 1—is a perspective front side view of my bottle
dispenser base design;
FIG. 2—is a perspective front left side view thereof;
FIG. 3—is a perspective bottom right side view thereof;
FIG. 4—is an exploded view of my bottle dispenser base
design of FIG. 1 thereof;
FIG. 5—is a front side elevational view thereof;
FIG. 6—is a backside elevational view thereof;
FIG. 7—is a left side elevational view thereof;
FIG. 8—is a right side elevational view thereof;
FIG. 9—is a top plan view thereof; and,
FIG. 10—is a bottom plan view thereof.

1 Claim, 4 Drawing Sheets

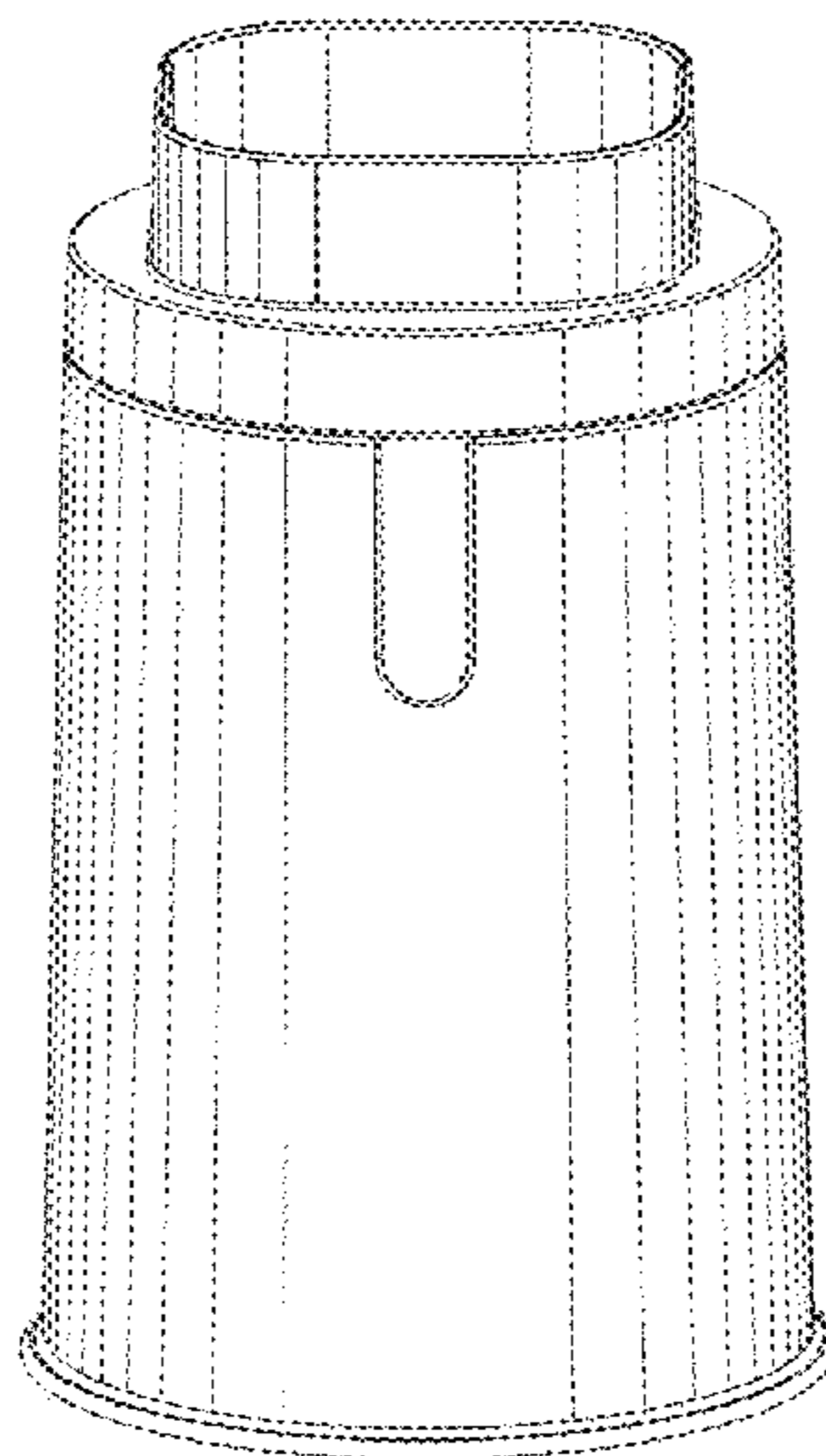


FIG. 1

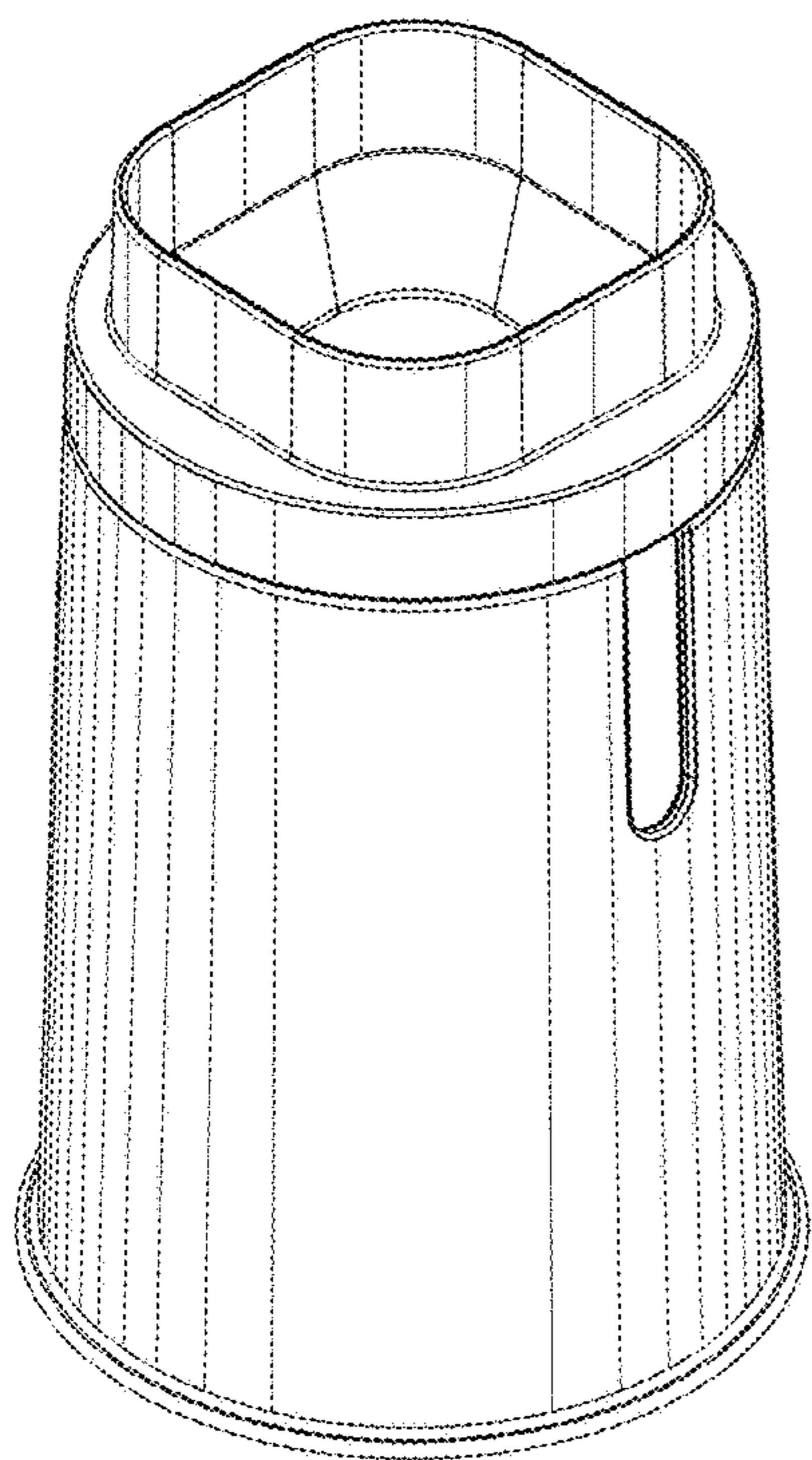
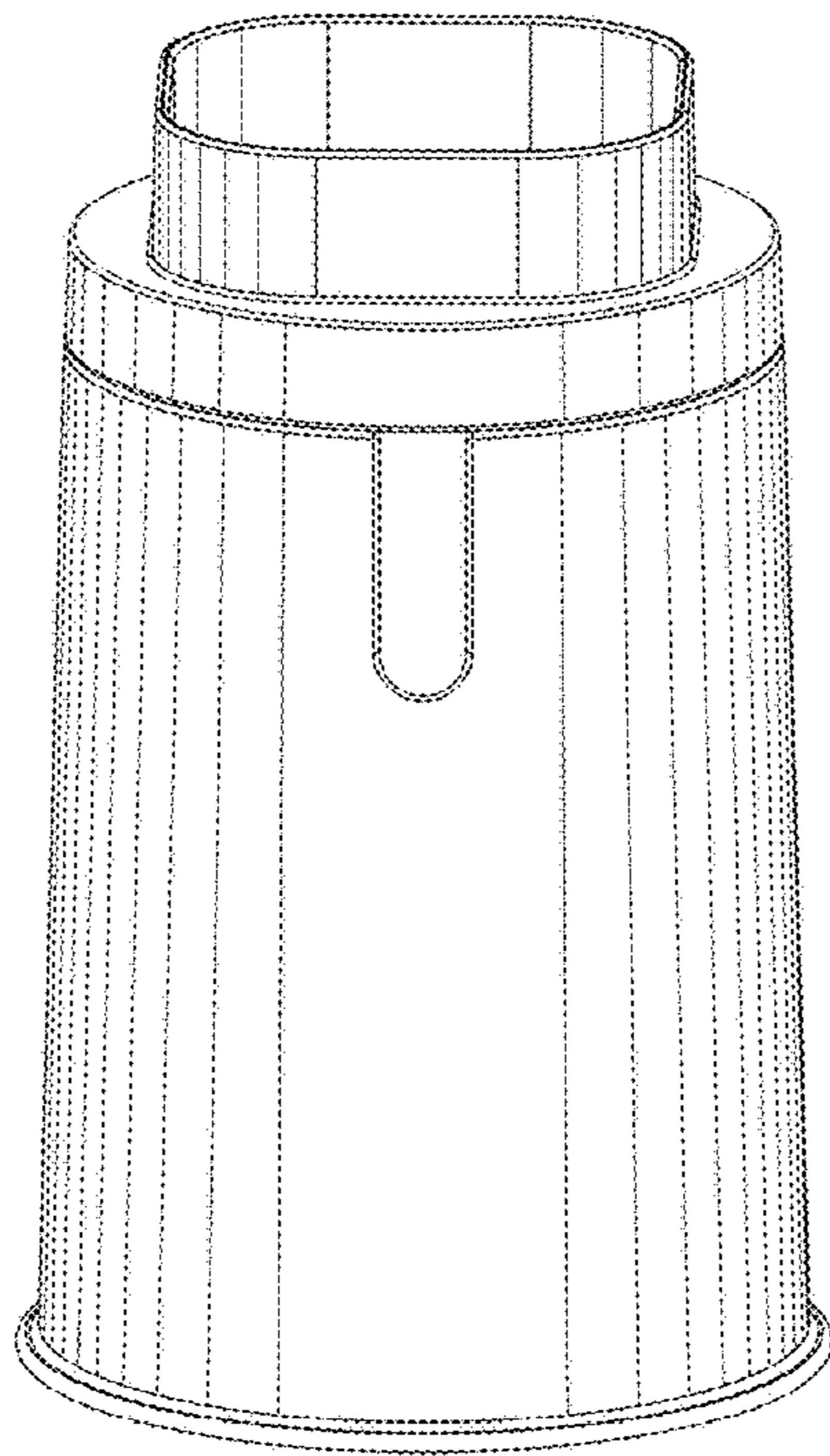


FIG. 2

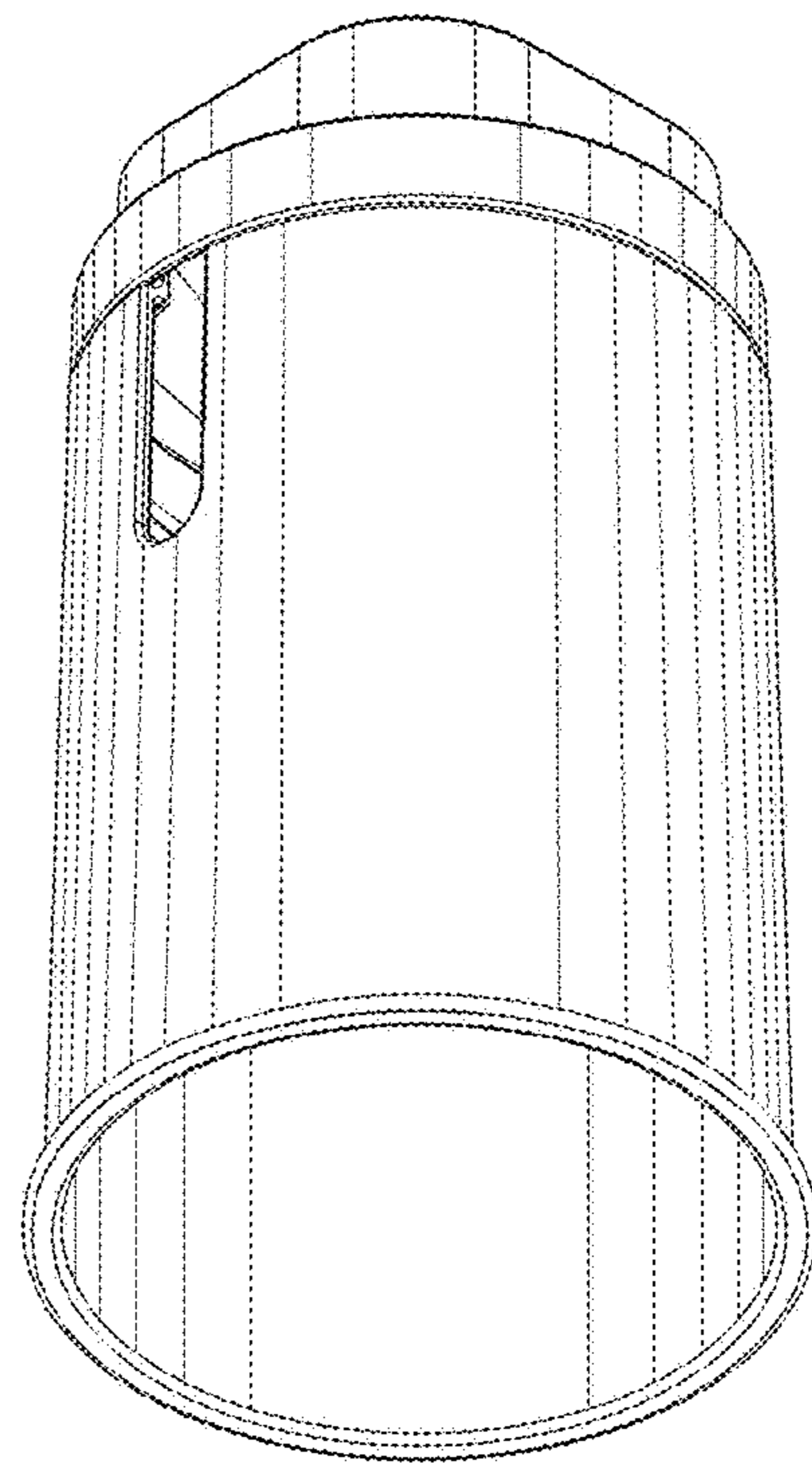


FIG. 3

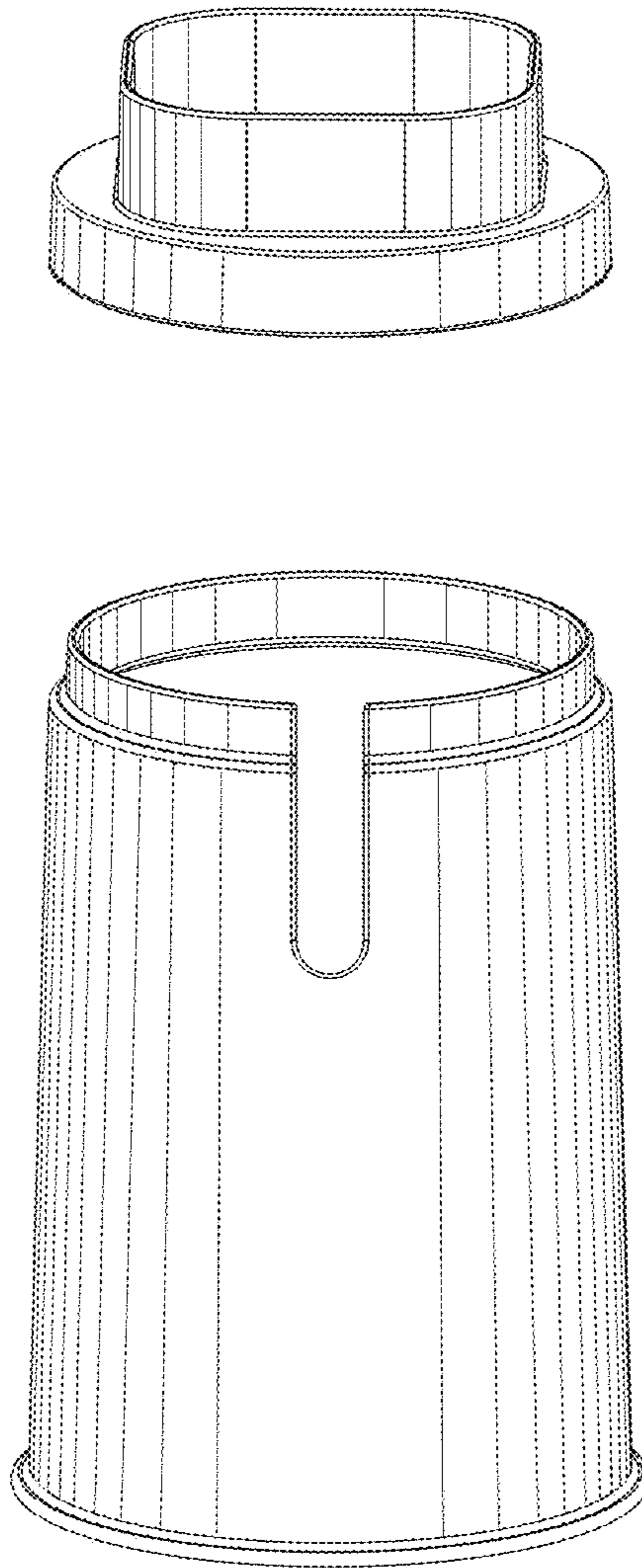


FIG. 4

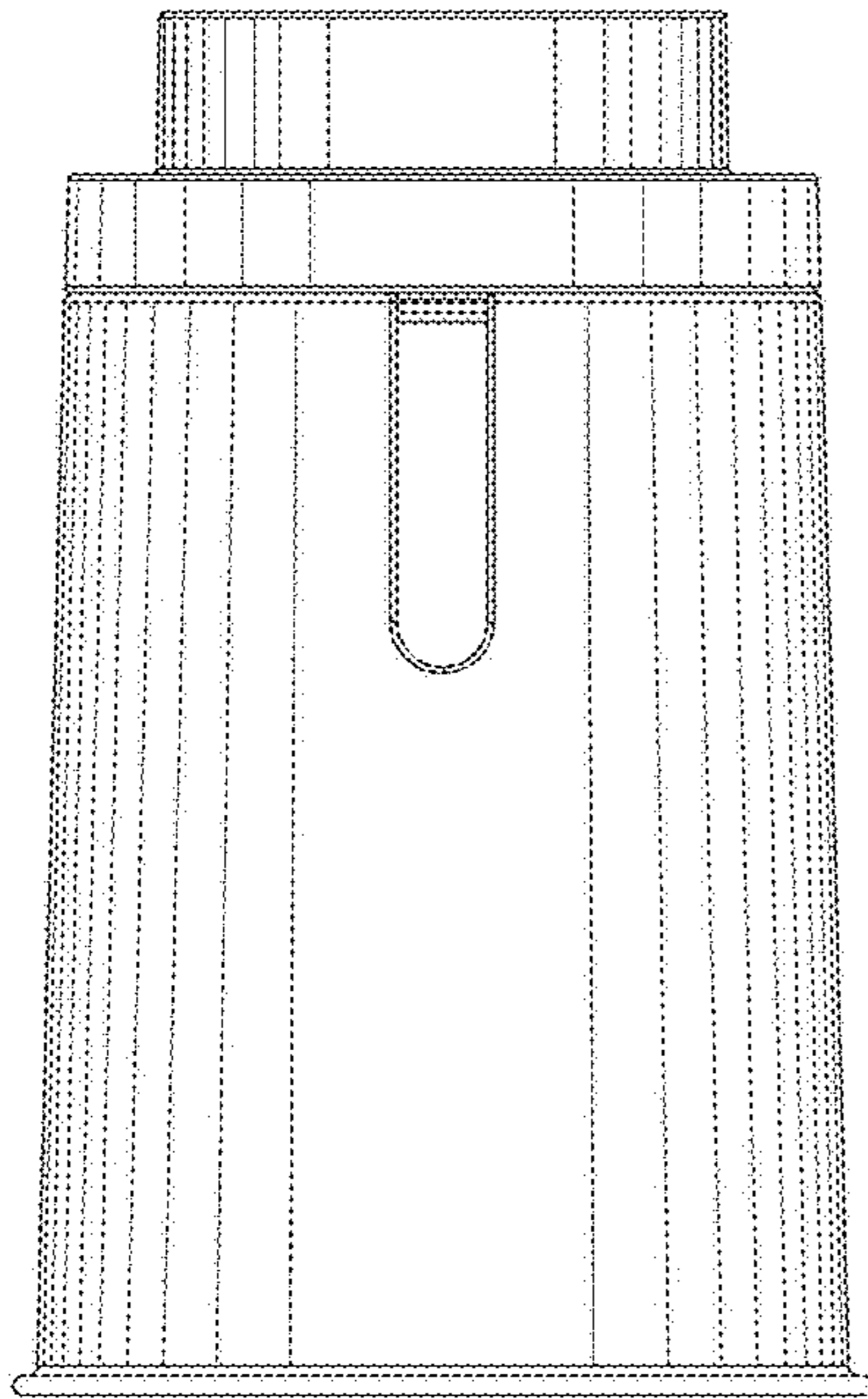


FIG. 5

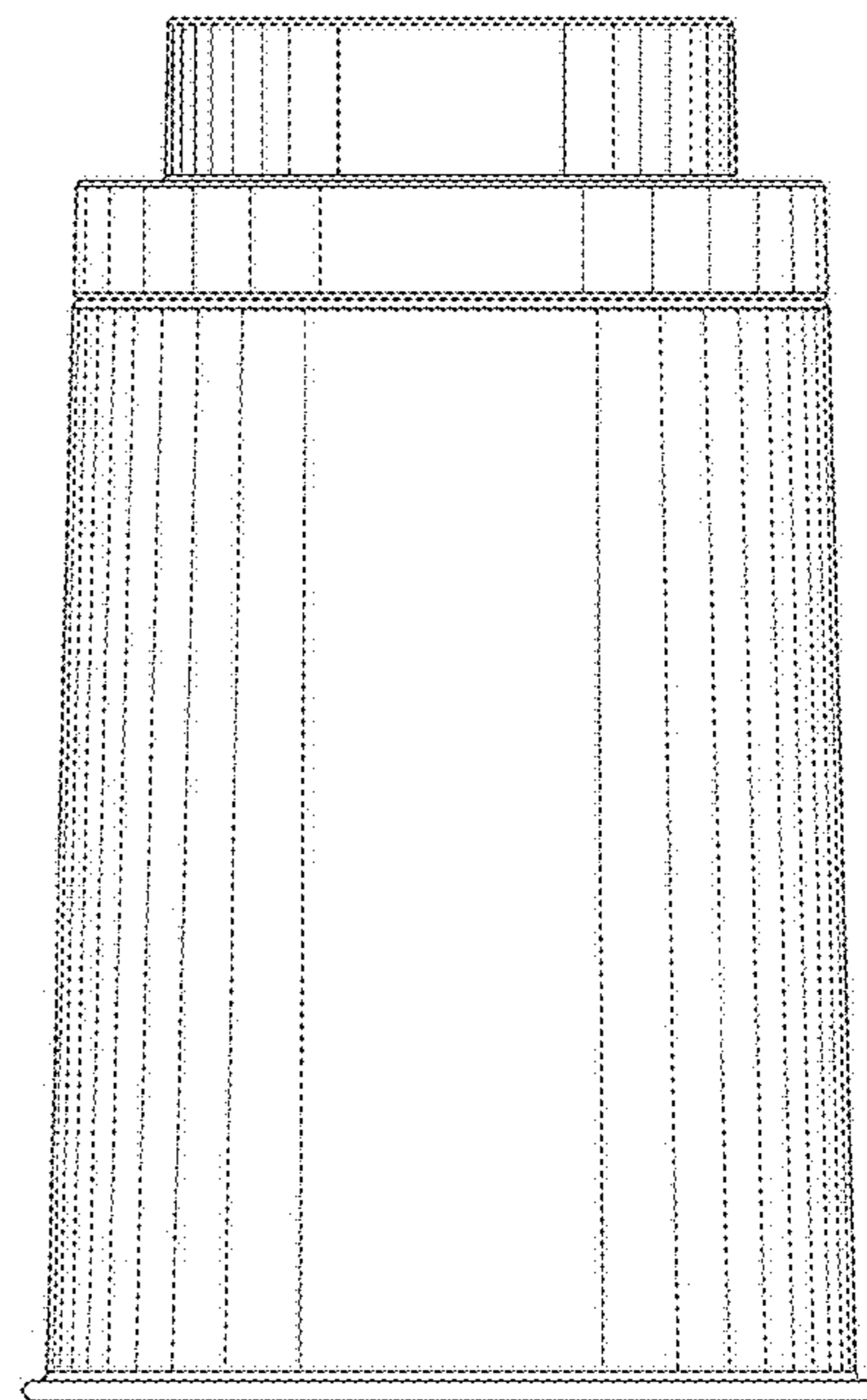


FIG. 6

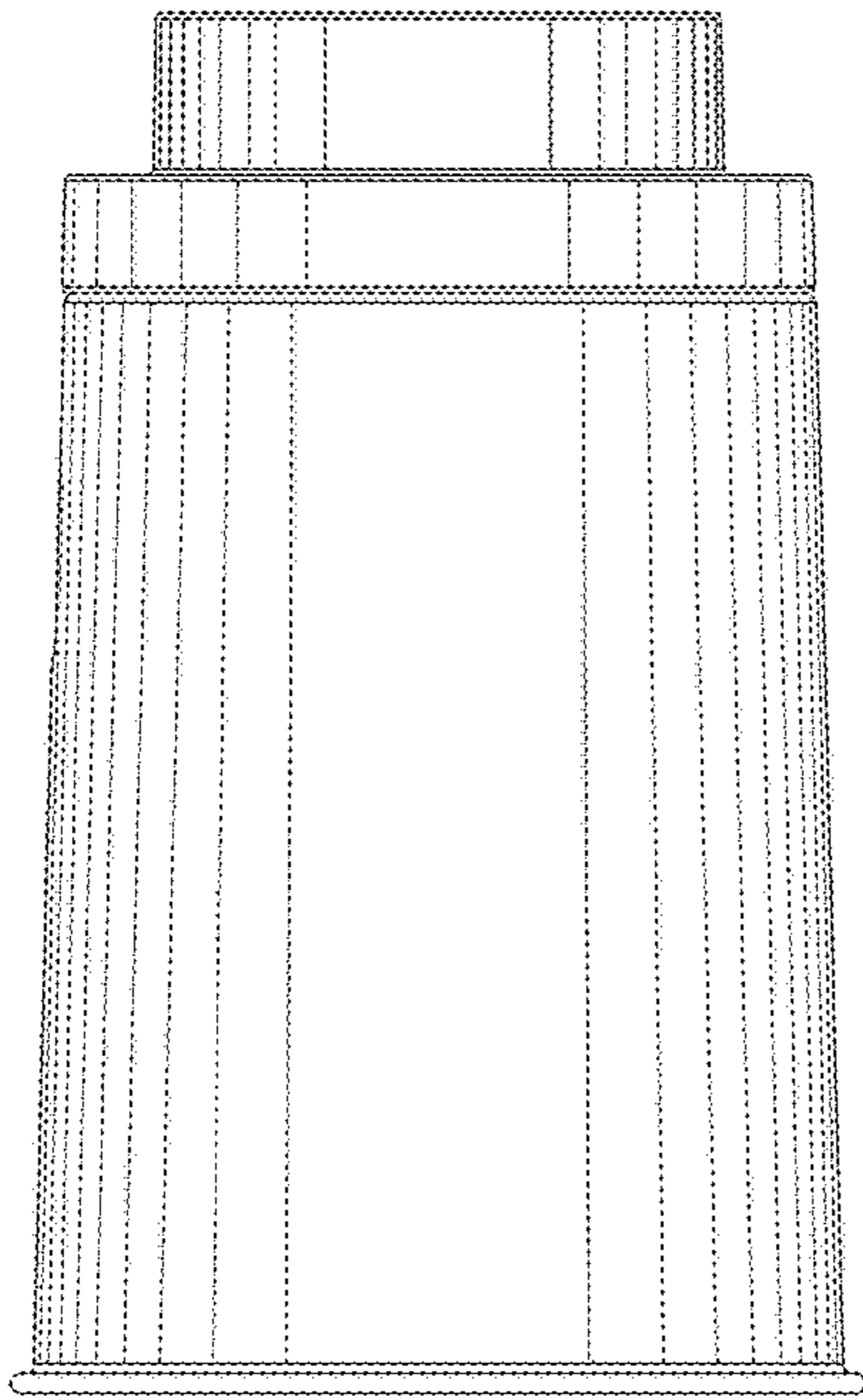


FIG. 7

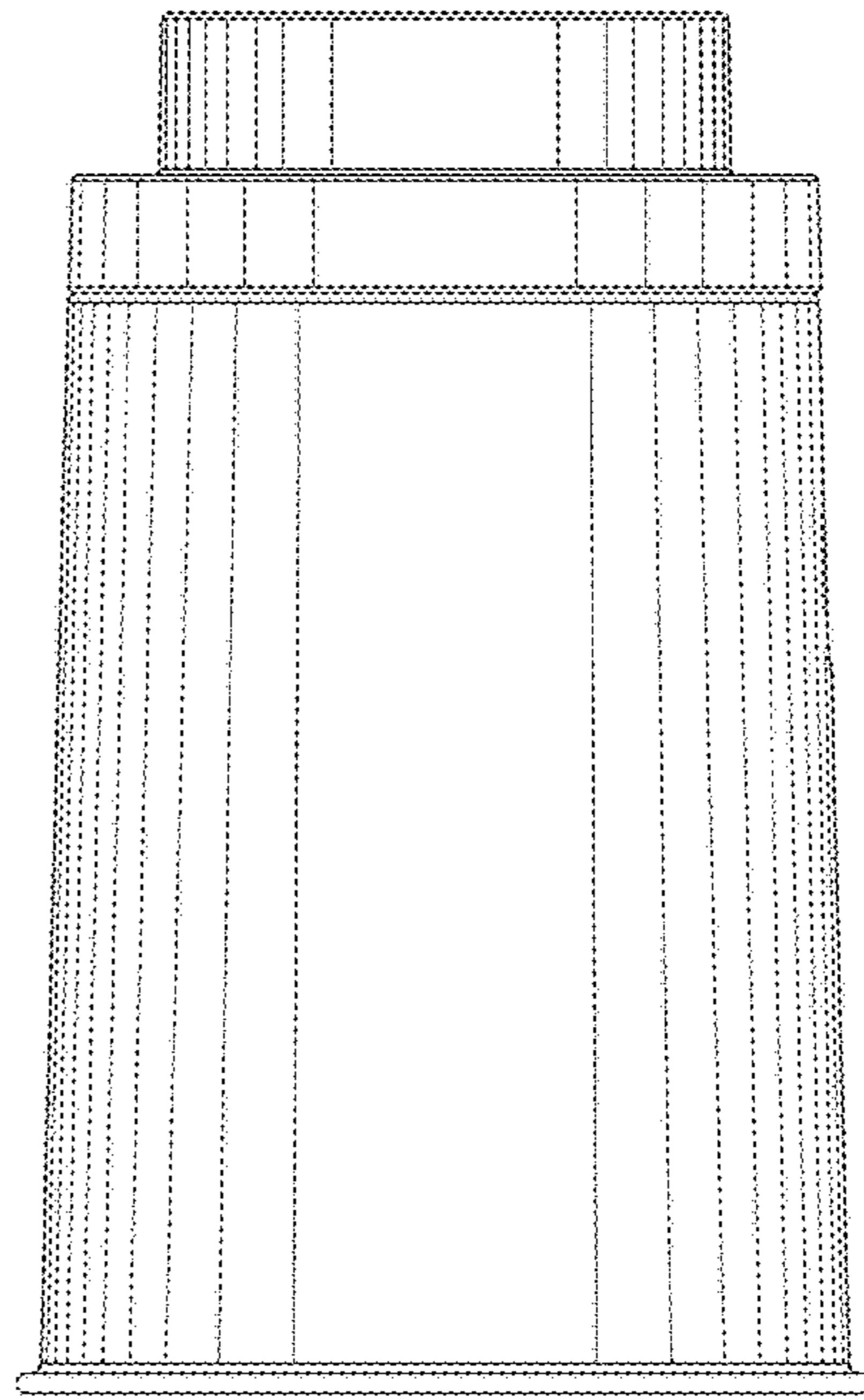


FIG. 8

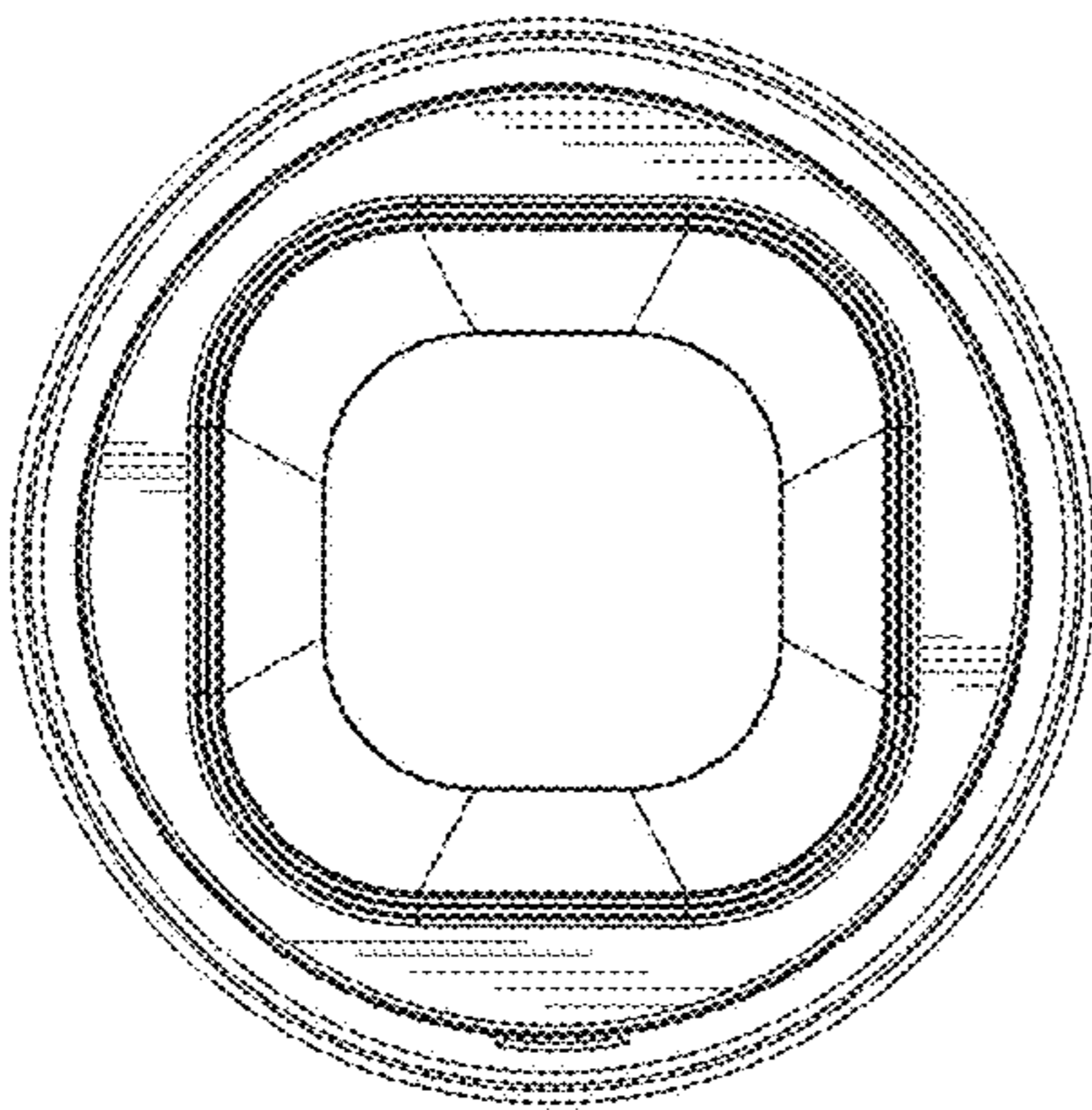


FIG. 9

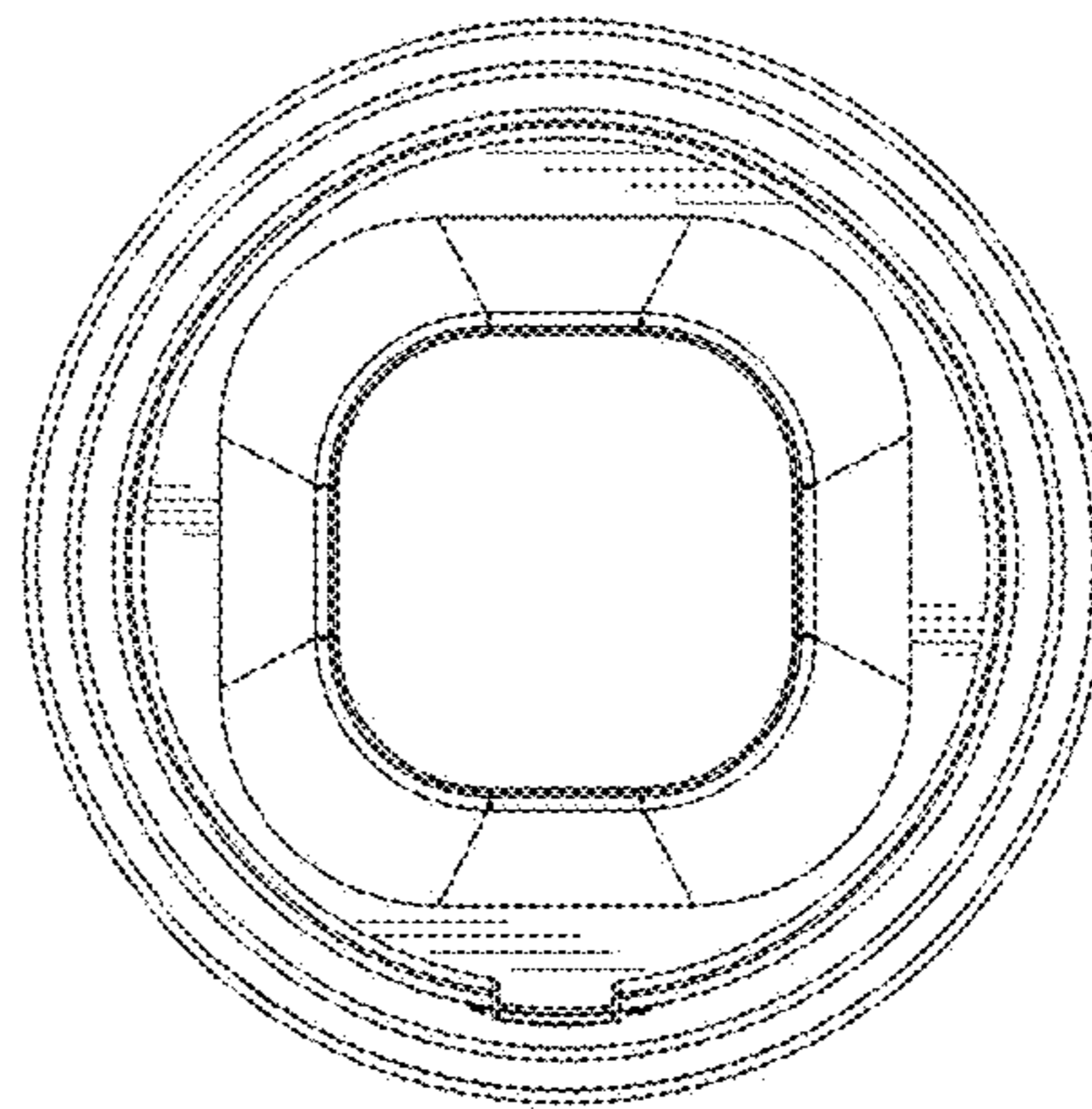


FIG. 10