



US00D832036S

(12) **United States Design Patent**
Dutruel

(10) **Patent No.:** **US D832,036 S**
(45) **Date of Patent:** **** Oct. 30, 2018**

(54) **APPLIANCE CONTROL PANEL AND SCREEN**

(71) Applicant: **SEB S.A.**, Ecully (FR)

(72) Inventor: **Laurent Dutruel**, Dole (FR)

(73) Assignee: **SEB S.A.**, Ecully (FR)

(**) Term: **15 Years**

(21) Appl. No.: **29/543,825**

(22) Filed: **Oct. 28, 2015**

(30) **Foreign Application Priority Data**

Apr. 30, 2015 (EM) 002693150-0001

(51) **LOC (11) Cl.** **07-02**

(52) **U.S. Cl.**
USPC **D7/397**

(58) **Field of Classification Search**
USPC D7/402-409, 323, 332-351, 362-367,
D7/399, 397, 309, 306; D23/386, 397,
D23/402, 415-419; D15/81
CPC F24C 15/10; F24C 15/107; F24C 15/001;
F24C 3/08; F24C 3/082; F24C 3/085;
H05B 6/6414; H05B 6/6408; A47J 31/40;
A47J 31/42
See application file for complete search history.

(56) **References Cited**

U.S. PATENT DOCUMENTS

D351,759 S * 10/1994 Maruyama D7/350.2
D360,104 S * 7/1995 Wistrand D7/350.2

D373,046 S * 8/1996 Newnan 99/286
D553,897 S * 10/2007 De' Longhi D7/309
D571,598 S * 6/2008 Moore D7/306
D581,717 S * 12/2008 Parker D7/309
D586,616 S * 2/2009 Martin D7/405
D597,368 S * 8/2009 Steiner D7/309
D719,776 S * 12/2014 Kunz D7/309
D738,671 S * 9/2015 Ha D7/323
D742,687 S * 11/2015 Kunz D7/309
9,706,873 B2 * 7/2017 Anthony A47J 31/002
D811,163 S * 2/2018 Kestenbaum D7/399

* cited by examiner

Primary Examiner — Sheryl Lane

Assistant Examiner — Nicole C Shiflet

(74) *Attorney, Agent, or Firm* — Loeb & Loeb LLP

(57) **CLAIM**

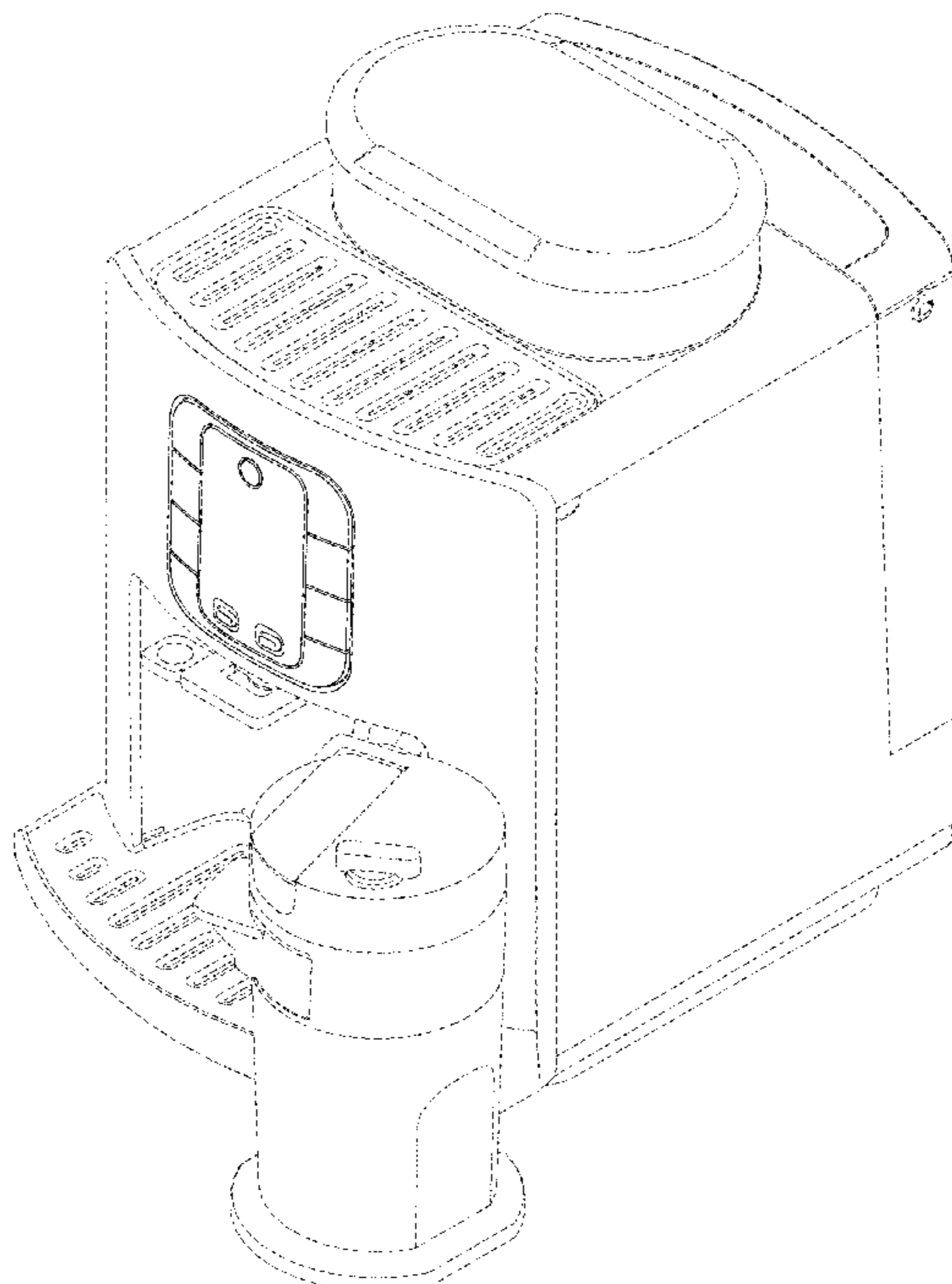
The ornamental design for an appliance control panel and screen, as shown and described.

DESCRIPTION

FIG. 1 is a front elevational view of an appliance control panel and screen showing my new design; and, FIG. 2 is a perspective view of the appliance control panel and screen of FIG. 1.

The broken lines showing environment form no part of the claimed design.

1 Claim, 2 Drawing Sheets



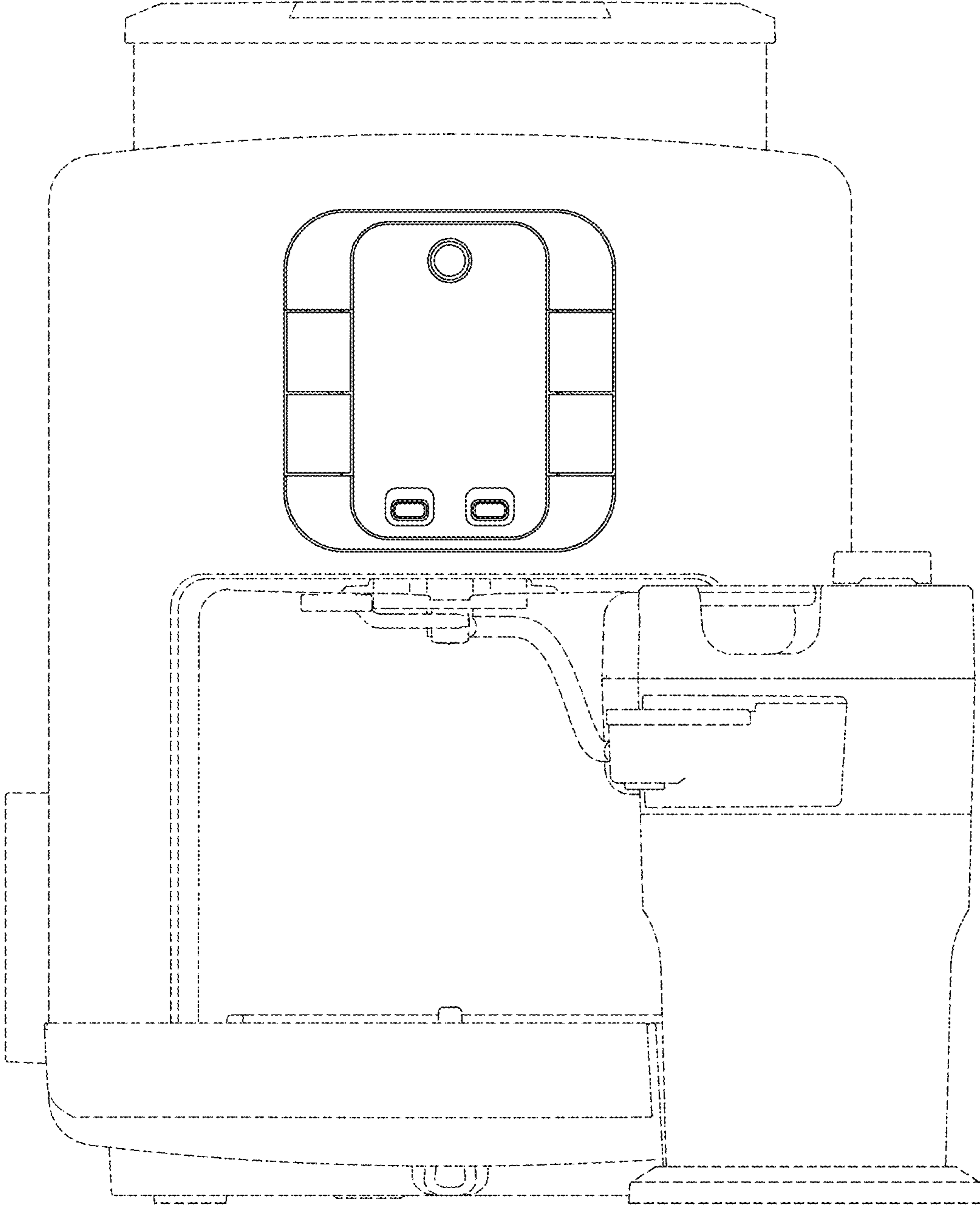


FIG. 1

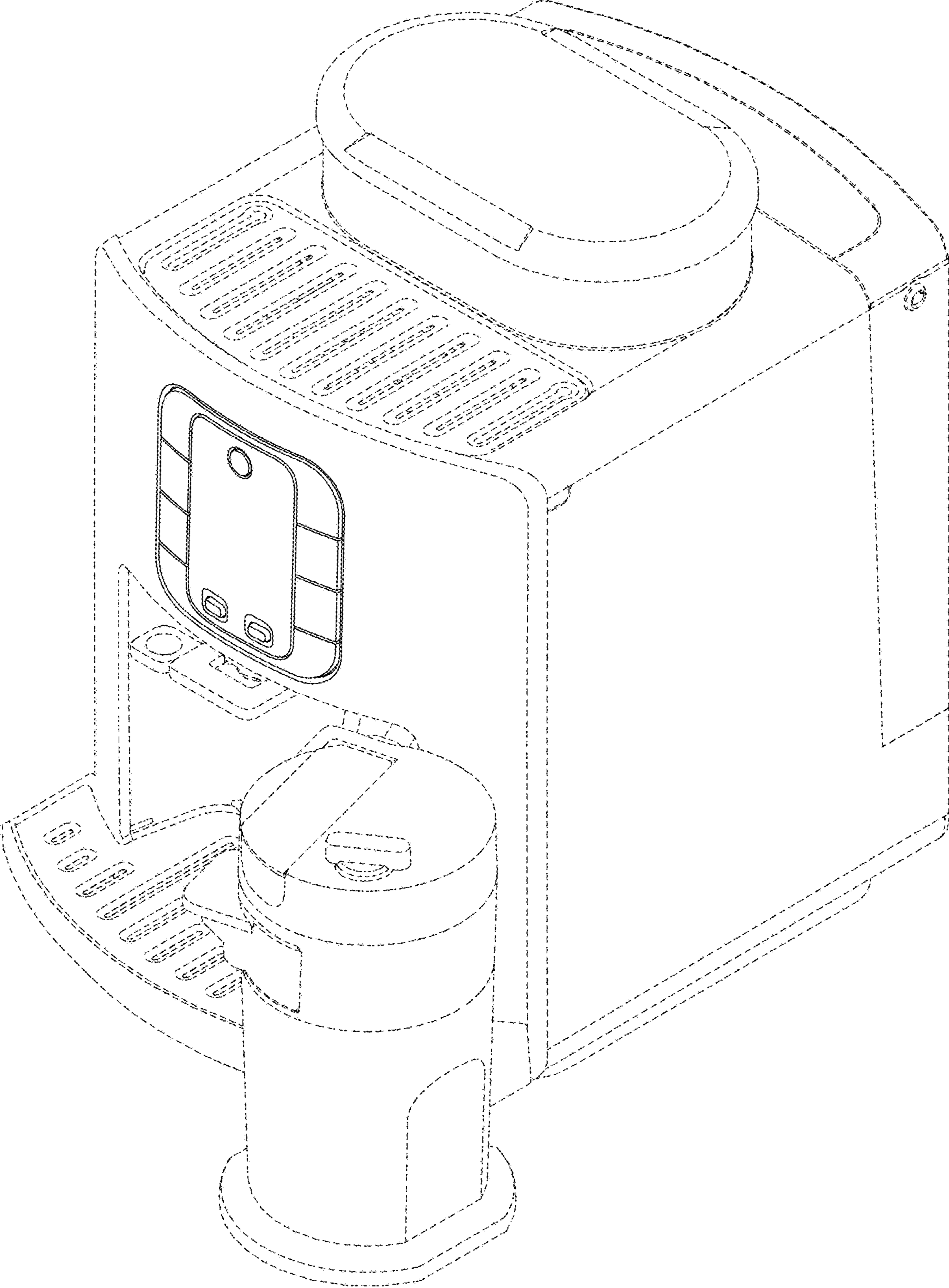


FIG. 2