

US00D832033S

(12) **United States Design Patent** (10) **Patent No.:** **US D832,033 S**
Arseneau et al. (45) **Date of Patent:** **** Oct. 30, 2018**

(54) **HANDLE PORTION**

(71) Applicants: **Allen Arseneau**, Hingham, MA (US);
Diana Arseneau, Hingham, MA (US)
(72) Inventors: **Allen Arseneau**, Hingham, MA (US);
Diana Arseneau, Hingham, MA (US)

(**) Term: **15 Years**
(21) Appl. No.: **29/582,765**
(22) Filed: **Oct. 31, 2016**

Related U.S. Application Data

(60) Division of application No. 29/539,430, filed on Sep. 14, 2015, now Pat. No. Des. 773,241, which is a
(Continued)

(51) **LOC (11) Cl.** **07-02**
(52) **U.S. Cl.**
USPC **D7/394; D7/393; D7/396.2; D7/536;**
D8/107; D8/300

(58) **Field of Classification Search**
USPC D7/310, 312, 314, 315, 316, 317, 318,
D7/319, 320, 591, 592, 598, 600, 622,
D7/667, 668, 392, 392.1, 396.6, 503, 507,
D7/509, 510, 511, 514, 515, 522, 513,
D7/523, 533, 559, 535, 532, 403, 596,
D7/536, 537, 600.2, 700, 401, 682, 394,
D7/524, 525, 589, 397, 642, 664, 395,
D7/393, 396.2; D9/500, 678, 669, 715,
D9/719, 536, 528, 531, 534, 435, 440,
D9/443, 555, 453, 452, 446, 540, 530,
D9/526, 554, 776; 215/380, 382, 398,
215/396, 12.1; 220/495.03, 23, 494, 717,
220/783, 780, 788, 792, 752, 710.5;
206/217; 229/400, 402, 404; 211/2, 6;
(Continued)

(56) **References Cited**

U.S. PATENT DOCUMENTS

482,630 A 9/1892 Fowler
1,778,175 A 10/1930 Thune
(Continued)

FOREIGN PATENT DOCUMENTS

DE 29511782 U1 10/1995
EP 1447182 A1 8/2004
TW M448956 U 3/2013

OTHER PUBLICATIONS

Extended European Search Report for European Application No. 14797537.9 dated Dec. 23, 2016.
(Continued)

Primary Examiner — Marianne Pandozzi
Assistant Examiner — Jae Liang
(74) *Attorney, Agent, or Firm* — Lando & Anastasi, LLP

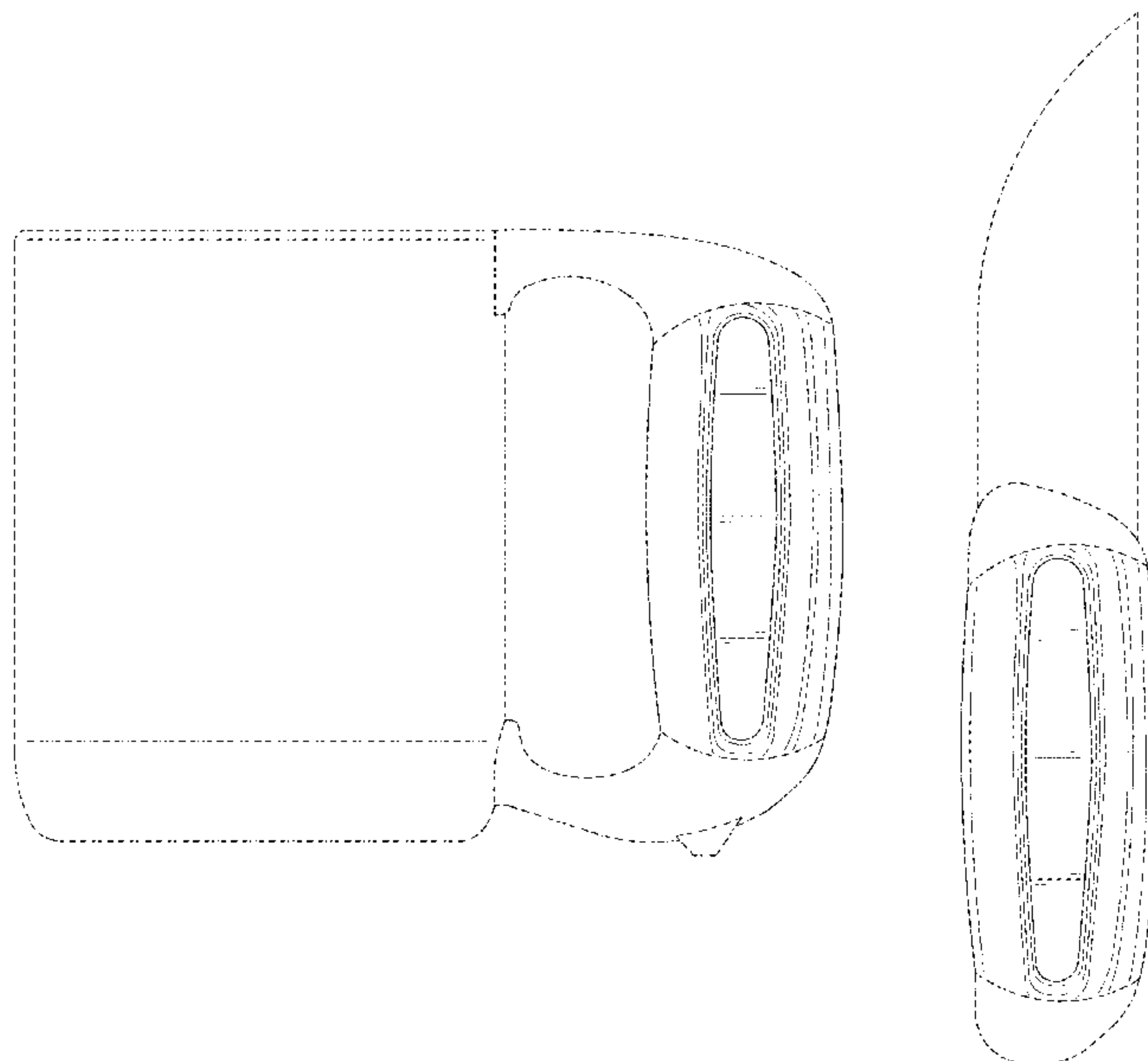
(57) **CLAIM**

The ornamental design for a handle portion, as shown and described.

DESCRIPTION

FIG. 1 is a top perspective view of a handle portion showing our new design;
FIG. 2 is a right side view thereof;
FIG. 3 is a front view thereof;
FIG. 4 is a rear view thereof;
FIG. 5 is a top view thereof;
FIG. 6 is a bottom view thereof;
FIG. 7 is a front view thereof in use with an alternative cup; and,
FIG. 8 is a front view thereof in use with a knife.
The broken lines in the drawing depict environmental subject matter only and form no part of the claimed design.

1 Claim, 8 Drawing Sheets



Related U.S. Application Data

continuation of application No. 29/516,541, filed on Feb. 3, 2015, now Pat. No. Des. 757,499, which is a continuation of application No. 14/279,908, filed on May 16, 2014, now Pat. No. 9,827,661.

(58) **Field of Classification Search**

USPC D10/46.2; D23/233; D8/71, 94, 107, D8/315, 313, 311, 306, 301, 300, 303, D8/70.1, 321, 90, 93; D3/202, 246
CPC A47J 31/14; A47J 36/14; A47J 31/005; A47J 31/00; A47G 19/14; A47G 19/2272
See application file for complete search history.

(56) **References Cited**

U.S. PATENT DOCUMENTS

D101,865 S	11/1936	Fuerst
D102,166 S	12/1936	Kirstein
D157,859 S	3/1950	Glukes
D168,218 S	11/1952	Falk
2,723,072 A	11/1955	Sayford, Jr.
2,979,225 A	4/1961	Noffsinger
3,079,037 A	2/1963	Kaufmann
3,095,132 A	6/1963	Hawley
3,189,937 A	6/1965	Sciortino
3,246,786 A	4/1966	Holley
3,877,614 A	4/1975	Murphy
D253,214 S	10/1979	Wilson
D259,698 S	6/1981	MacNeill
D265,279 S	7/1982	Wright
D266,819 S	11/1982	Doyel
D279,948 S	8/1985	Weernink
4,643,326 A	2/1987	Klingler
D290,921 S	7/1987	Dardashti
D291,405 S	8/1987	Finesman et al.
D300,112 S	3/1989	Osterhout
D304,154 S	10/1989	Osterhout
D309,416 S	7/1990	Britz
4,957,224 A	9/1990	Kessler et al.
5,054,638 A	10/1991	Rose
D337,187 S	7/1993	Hampshire
D341,985 S	12/1993	Bunn et al.
D345,675 S	4/1994	Charland
D351,315 S	10/1994	van Stolk
D355,329 S	2/1995	Ullmann
D360,807 S	8/1995	Scholfield
D363,001 S	10/1995	Scholfield
D365,492 S	12/1995	Rorke
D368,205 S	3/1996	Rausch
5,505,330 A	4/1996	Nunes
5,558,240 A	9/1996	Karp
D375,016 S	10/1996	Ullmann
5,586,682 A	12/1996	Yeh
5,597,190 A	1/1997	DeMars
5,613,274 A	3/1997	Gerdmann et al.
5,683,007 A	11/1997	Scholfield
5,683,009 A	11/1997	King
5,687,556 A	11/1997	Lintz
D389,005 S	1/1998	Brady
D390,416 S	2/1998	Hippen et al.
D393,776 S	4/1998	Kessler
5,737,803 A	4/1998	Tisdale
5,788,113 A	8/1998	Yeh
D409,446 S	5/1999	St. John et al.
6,076,699 A	6/2000	Seager et al.
D433,866 S	11/2000	Cautereels et al.

D433,877 S	11/2000	Bickert et al.
D434,599 S	12/2000	Brady et al.
D438,761 S	3/2001	Settele
D441,007 S	4/2001	Simons et al.
6,244,461 B1	6/2001	Roberts et al.
D456,212 S	4/2002	Bridges
D456,442 S	4/2002	Simons et al.
D459,942 S	7/2002	Miller
6,446,830 B1	9/2002	Ocic
6,471,390 B1	10/2002	Cuthbertson et al.
6,502,314 B1	1/2003	McCatty
D474,653 S	5/2003	Stewart
D475,244 S	6/2003	Trombly
6,729,665 B1	5/2004	Posey et al.
D505,268 S	5/2005	Potempa
D513,957 S	1/2006	Thirouin
D532,274 S	11/2006	Demar et al.
D546,149 S	7/2007	Chen
D560,970 S	2/2008	Yelland
D561,536 S	2/2008	Virgilio
D563,169 S	3/2008	Gibbons et al.
D587,980 S *	3/2009	Rosenbohm D8/300
D595,133 S	6/2009	Lewis
D605,017 S	12/2009	McElmury
7,673,766 B1	3/2010	Yalon
D614,011 S *	4/2010	Hyp D8/10
D629,249 S	12/2010	Snyker
D639,608 S	6/2011	Tohm, Sr.
D671,375 S	11/2012	Cloutier et al.
D679,949 S	4/2013	Meritt
D683,591 S	6/2013	Cahen
D684,428 S	6/2013	Spencer
8,459,479 B2	6/2013	Yourist
D700,811 S	3/2014	Lin
D701,014 S *	3/2014	Marsden D32/53
D717,112 S	11/2014	Wang et al.
8,887,948 B2	11/2014	Lapine
D730,145 S *	5/2015	Eriksson D8/107
D739,295 S	9/2015	Thuma et al.
D747,929 S *	1/2016	Arseneau D7/533
D760,021 S	6/2016	Lapsker
D773,241 S *	12/2016	Arseneau D7/393
D782,268 S *	3/2017	Bast D8/107
9,827,661 B2 *	11/2017	Arseneau B25G 1/102
2002/0023359 A1	2/2002	Peppel et al.
2002/0124353 A1	9/2002	Holland-Letz
2002/0153381 A1	10/2002	Rohe
2003/0075550 A1	4/2003	Kenny
2004/0040160 A1	3/2004	Cohen et al.
2006/0213033 A1	9/2006	Wasserman et al.
2011/0259891 A1	10/2011	Thibault
2012/0060879 A1	3/2012	Webb
2014/0339246 A1 *	11/2014	Arseneau B25G 1/102 220/755
2016/0167827 A1 *	6/2016	Arseneau B65D 43/0212 220/669
2018/0079066 A1 *	3/2018	Arseneau A47G 19/22

OTHER PUBLICATIONS

Granny Jo Dignity Mug, CaregiverProducts.com, <<http://web.archive.org/web/20121210203348/http://www.caregiverproducts.com/granny-jo-dignity-mug.html>>, Retrieved from the Internet on Nov. 14, 2014.
International Search Report for International Application No. PCT/US2014/038403.
Yanko Design, "Mug for My Lips Web Page" dated Apr. 2, 2008.

* cited by examiner

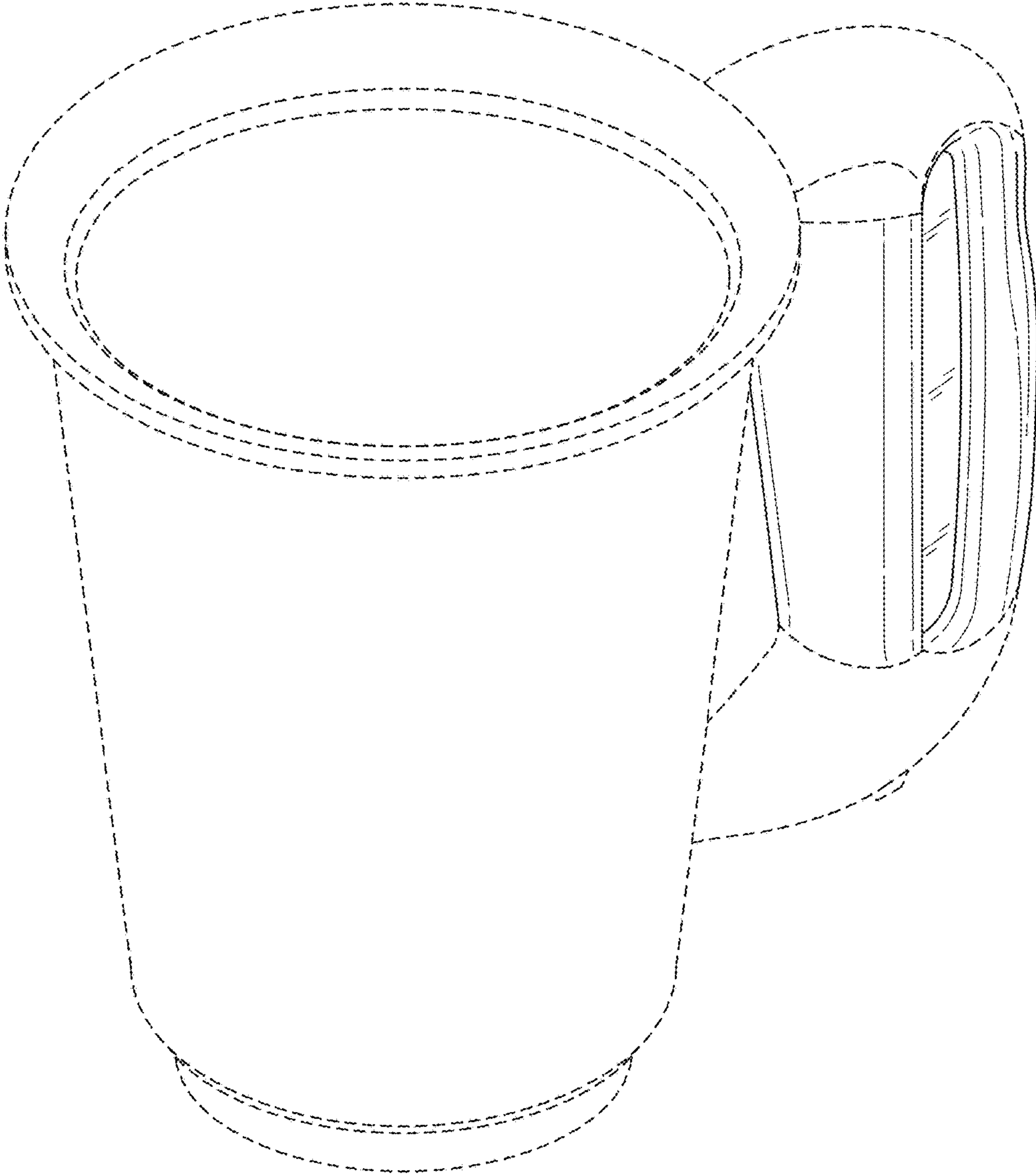


FIG. 1

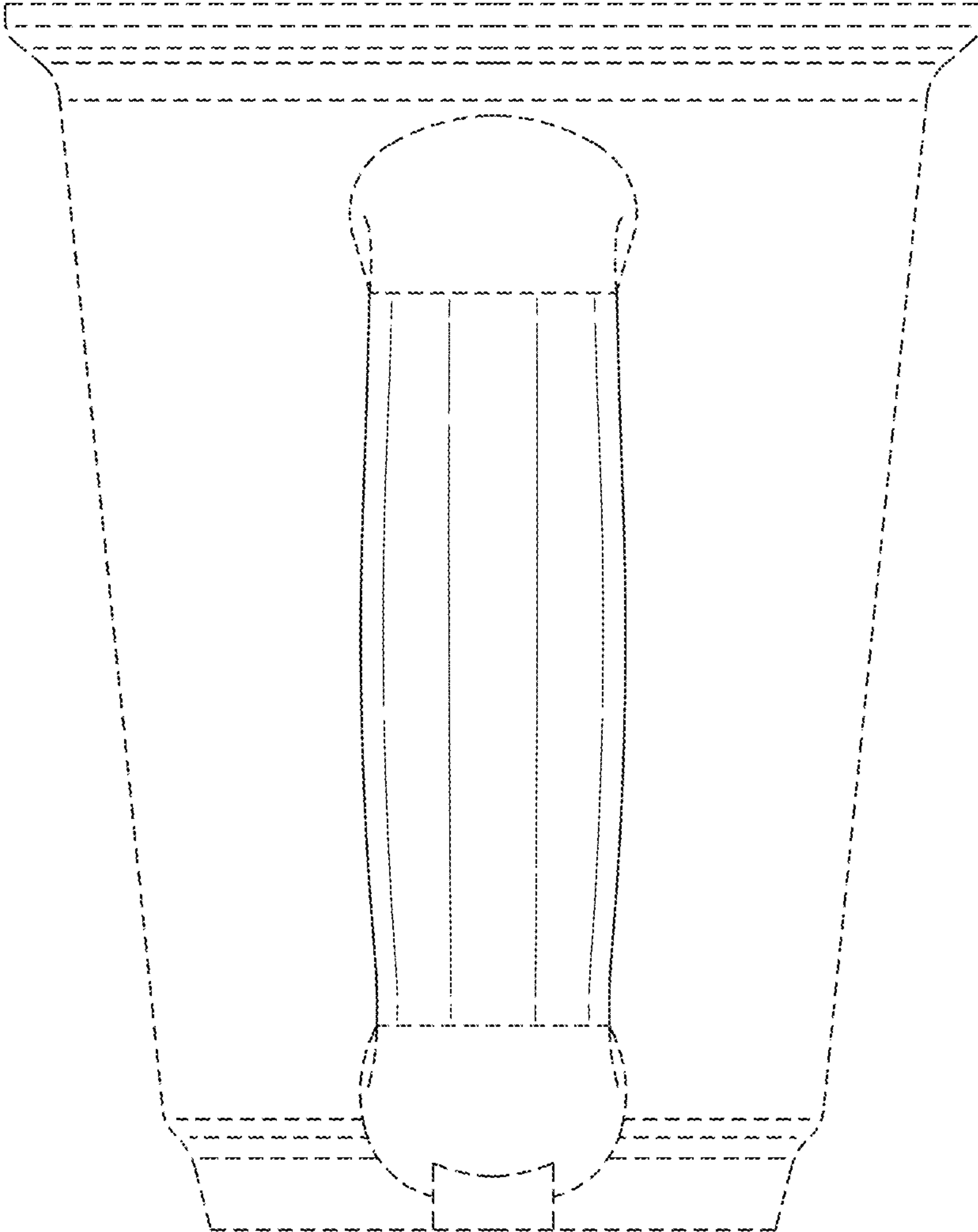


FIG. 2

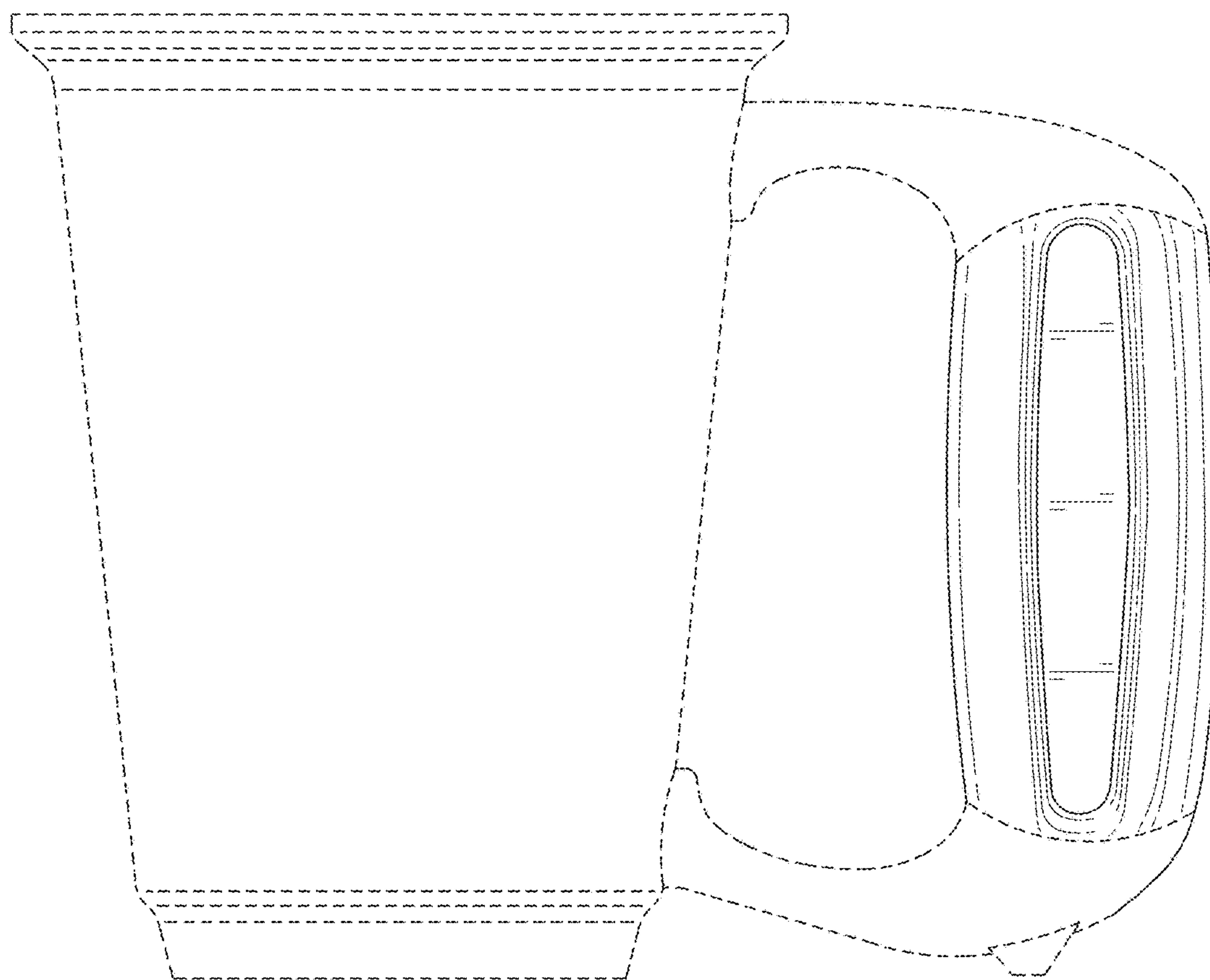


FIG. 3

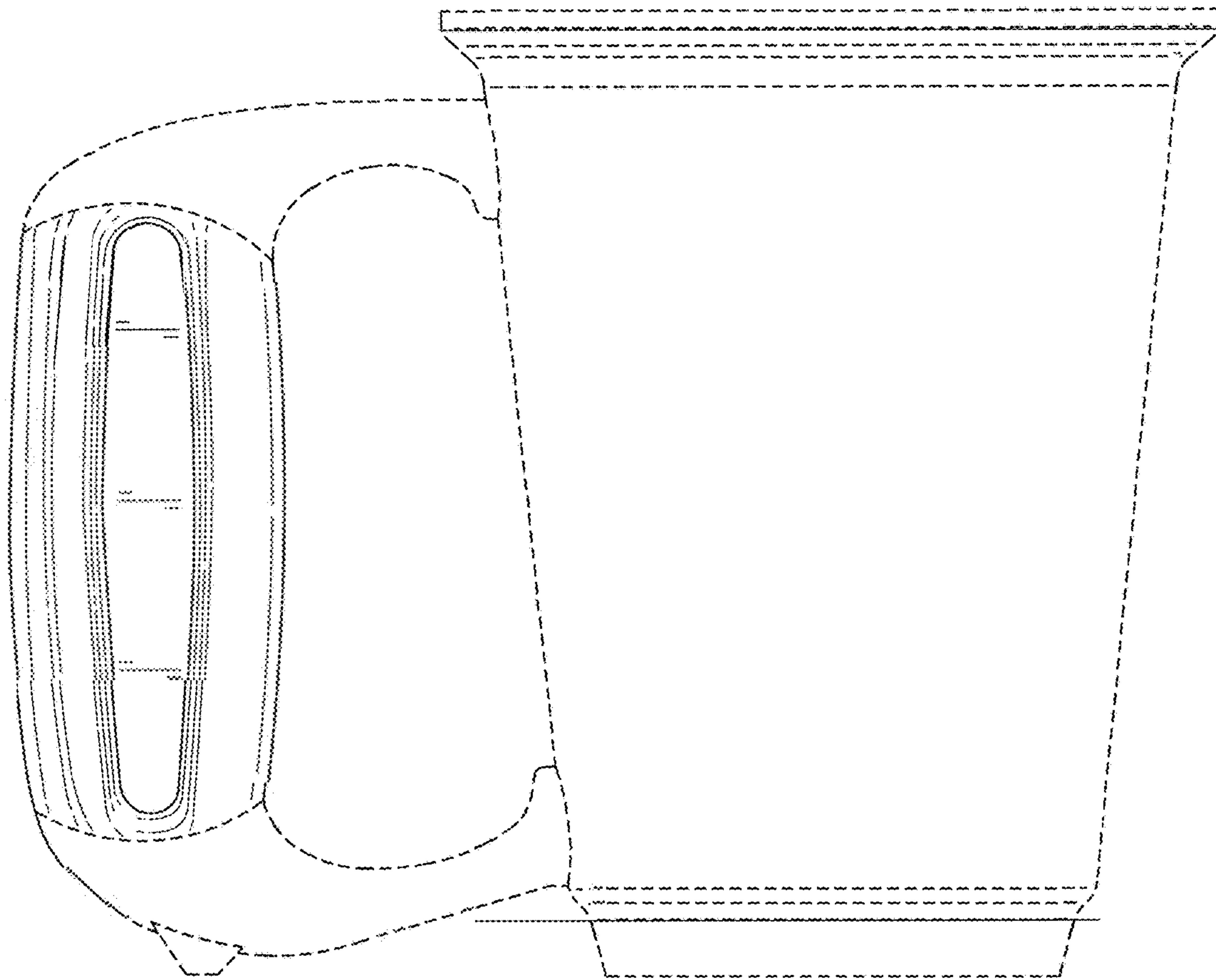


FIG. 4

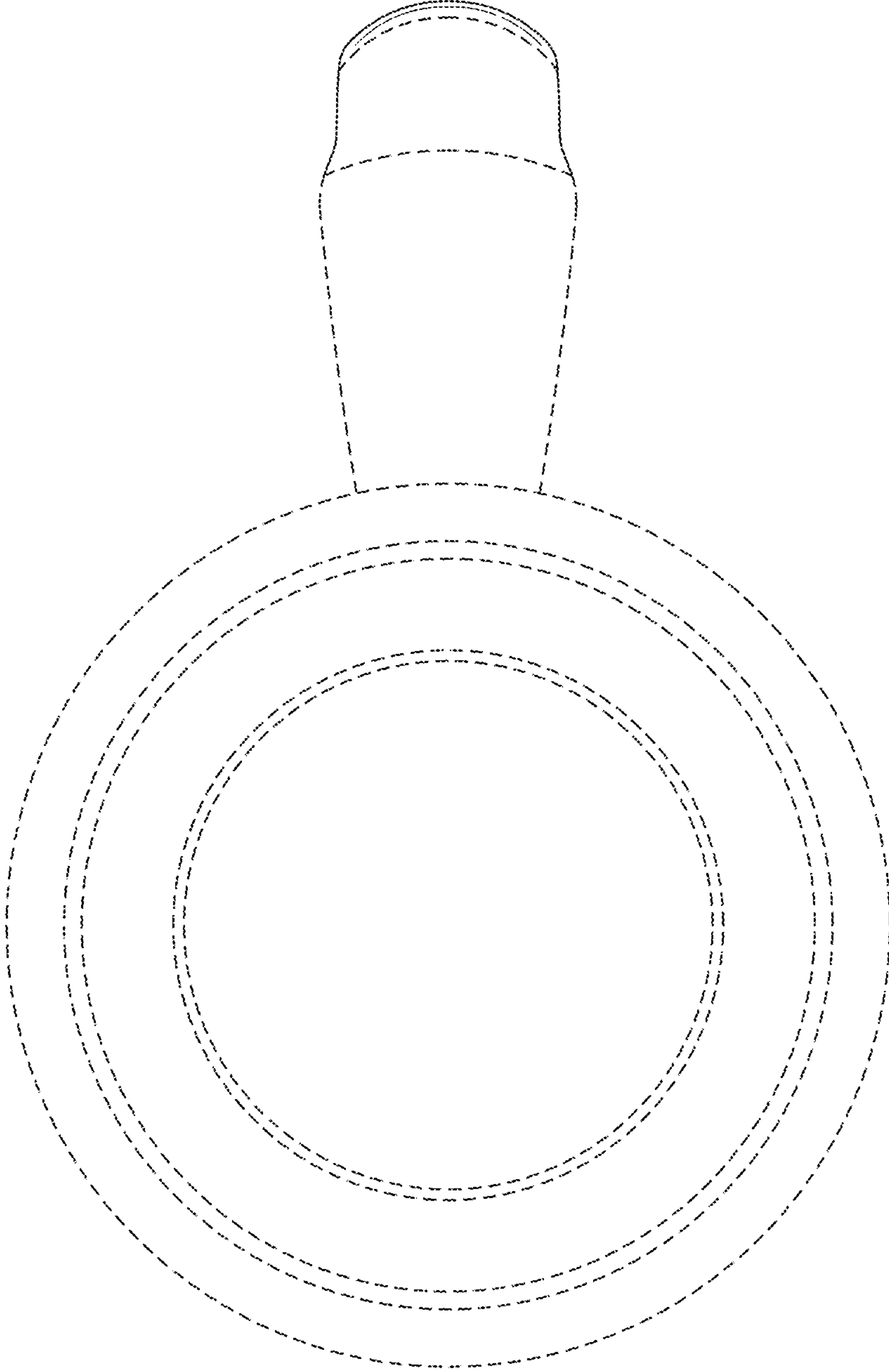


FIG. 5

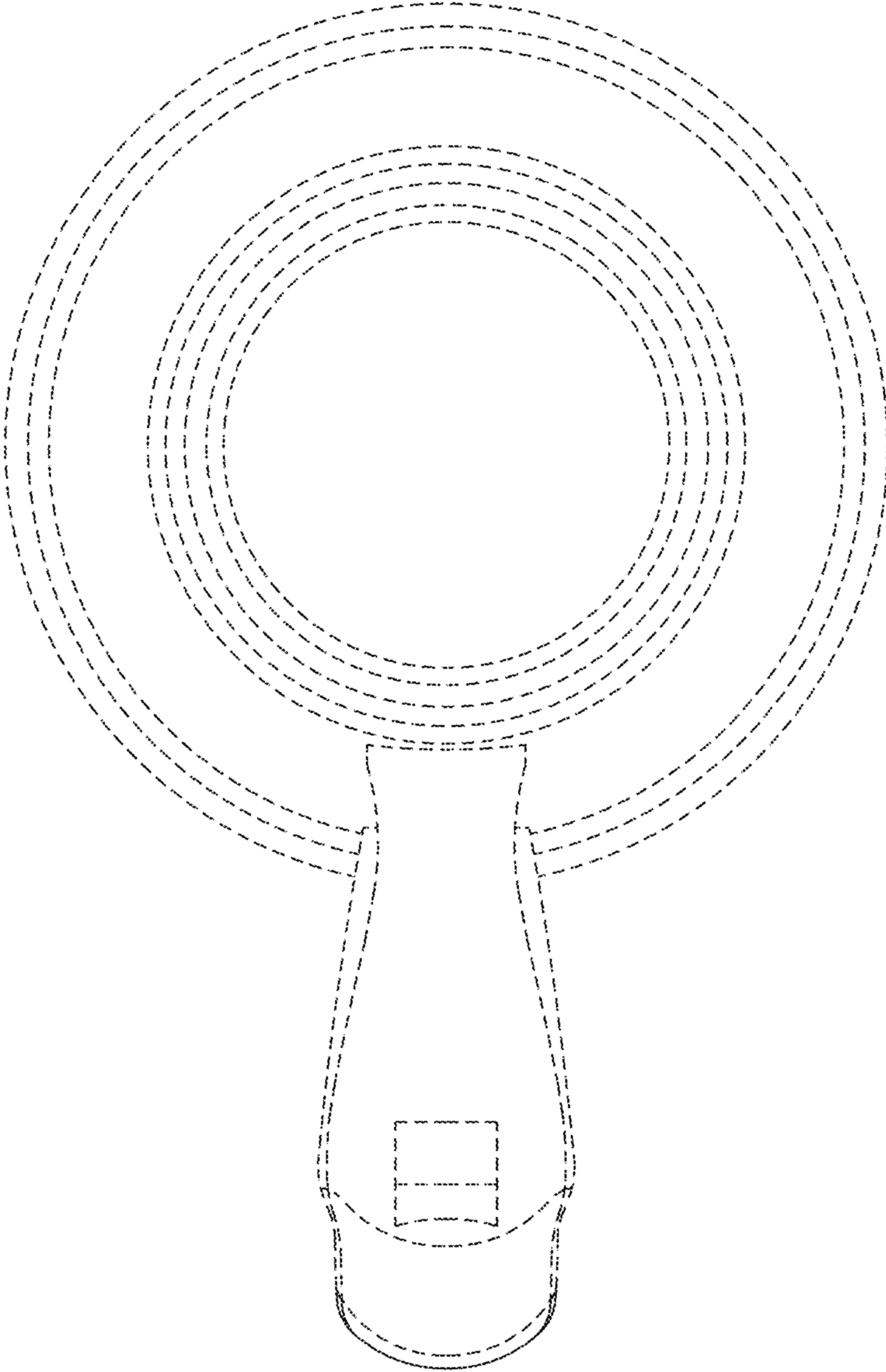


FIG. 6

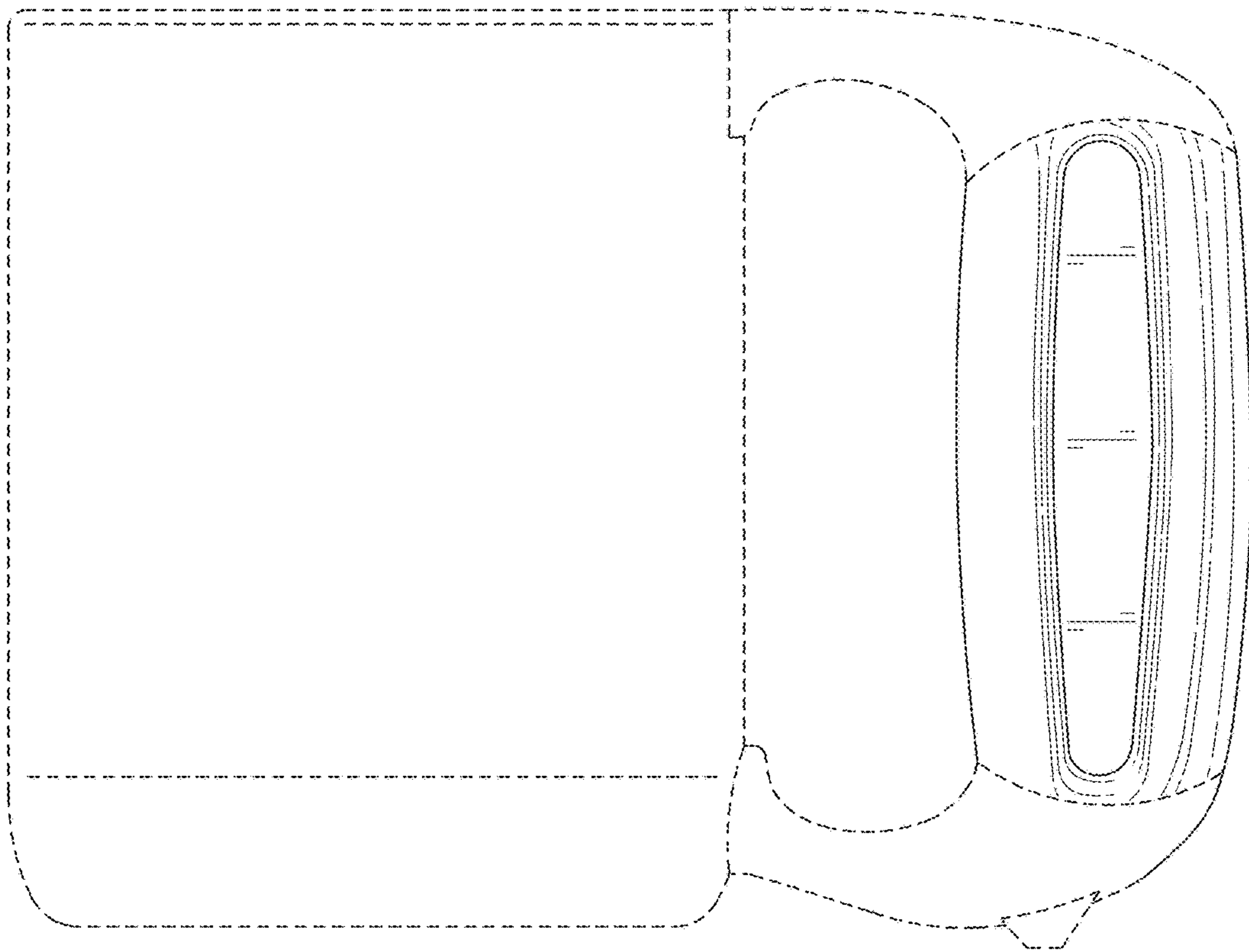


FIG. 7

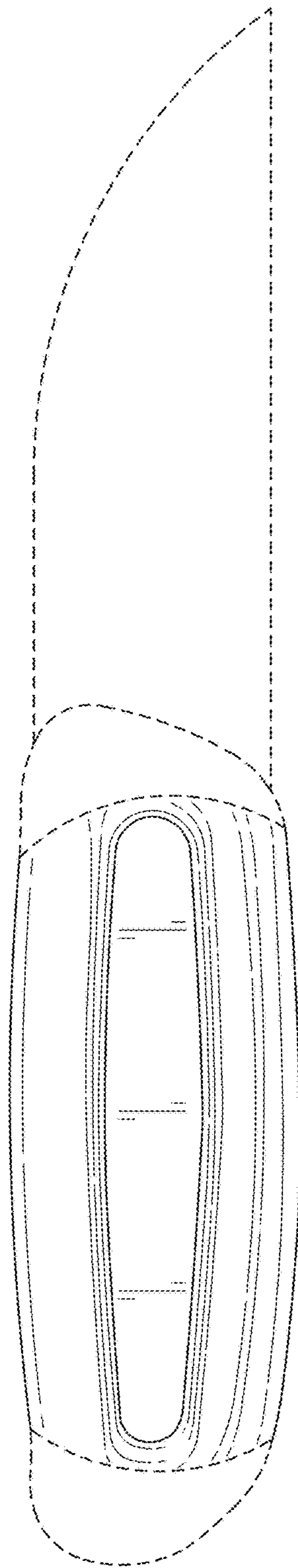


FIG. 8