



US00D832029S

(12) **United States Design Patent** (10) **Patent No.:** **US D832,029 S**
Gee, II et al. (45) **Date of Patent:** **** Oct. 30, 2018**

(54) **BLENDER BASE**

(56) **References Cited**

(71) Applicant: **Vita-Mix Management Corporation**,
Olmsted Township, OH (US)
(72) Inventors: **Jack W. Gee, II**, Willoughby, OH (US);
Robin Shorr, Olmsted Township, OH
(US); **Phonesacksith Guy Kettavong**,
Medina, OH (US)
(73) Assignee: **VITA-MIX MANAGEMENT**
CORPORATION, Olmsted Township,
OH (US)

U.S. PATENT DOCUMENTS

| | | | |
|--------------|---------|-------------|--------|
| D242,208 S * | 11/1976 | Madl et al. | D7/378 |
| D660,642 S * | 5/2012 | Boozer | D7/376 |
| D660,643 S * | 5/2012 | Boozer | D7/376 |
| D668,100 S * | 10/2012 | Palermo | D7/376 |
| D670,532 S * | 11/2012 | Boozer | D7/376 |
| D702,078 S * | 4/2014 | Coakley | D7/376 |
| D705,010 S * | 5/2014 | Coakley | D7/412 |
| D755,003 S * | 5/2016 | Palermo | D7/376 |
| D765,465 S * | 9/2016 | Du | D7/376 |
| D783,340 S * | 4/2017 | Palermo | D7/376 |
| D789,735 S * | 6/2017 | Palermo | D7/376 |
| D789,736 S * | 6/2017 | Palermo | D7/376 |
| D797,496 S * | 9/2017 | Gee, II | D7/376 |

(**) Term: **15 Years**

* cited by examiner

(21) Appl. No.: **29/604,723**

Primary Examiner — Ricky Pham

(22) Filed: **May 19, 2017**

(74) *Attorney, Agent, or Firm* — McDonald Hopkins LLC

(51) **LOC (11) Cl.** **31-00**

(57) **CLAIM**

(52) **U.S. Cl.**
USPC **D7/386; D7/376; D7/378; D7/412**

The ornamental design for a blender base, as shown and described.

(58) **Field of Classification Search**

DESCRIPTION

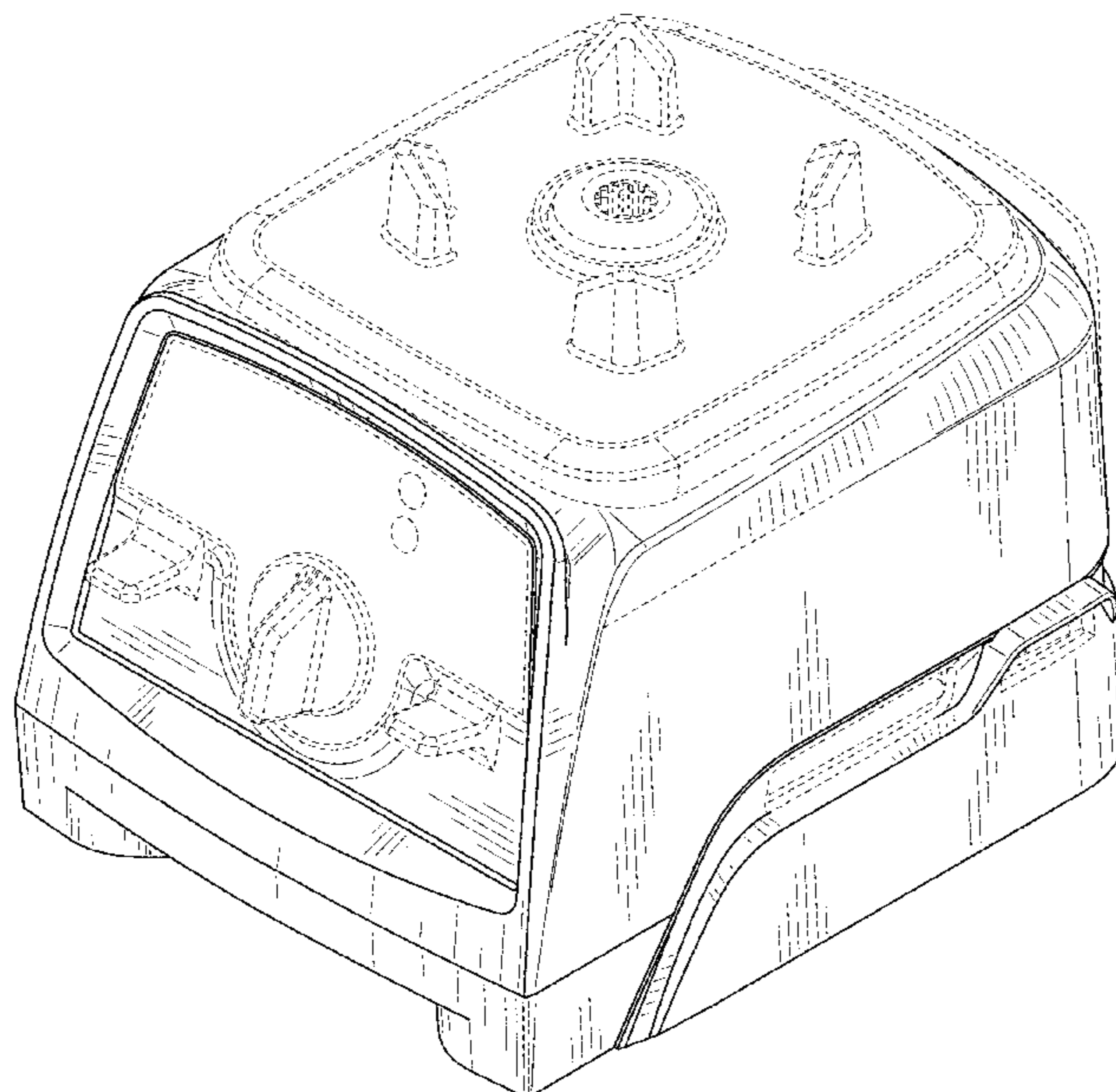
USPC D7/372, 376–386, 412–413, 602, 629,
D7/665–666, 669, 679, 693–694
CPC A21C 1/02; A21C 1/04; A23N 1/00; A23N
1/02; A47J 43/04; A47J 43/25; A47J
43/27; A47J 43/042; A47J 43/044; A47J
43/046; A47J 43/075; A47J 43/0722;
A47J 43/0727; B01F 3/00; B01F 3/0807;
B01F 3/0853; B01F 13/0059; B01F
13/0064; B02C 1/08; B02C 2/04; B02C
4/42; B02C 4/142; B02C 4/143; B02C
4/423; B02C 13/1835; B28C 5/10; B28C
5/12; B28C 5/14; B28C 5/16

FIG. 1 is a perspective view of a blender base showing our new design;
FIG. 2 is a front view thereof;
FIG. 3 is a back view thereof;
FIG. 4 is a first side view thereof;
FIG. 5 is a second side view thereof;
FIG. 6 is a top view thereof; and,
FIG. 7 is a bottom view thereof.

The broken lines in the figures are included for the purpose of illustrating portions of a blender base and form no part of the claimed design.

See application file for complete search history.

1 Claim, 7 Drawing Sheets



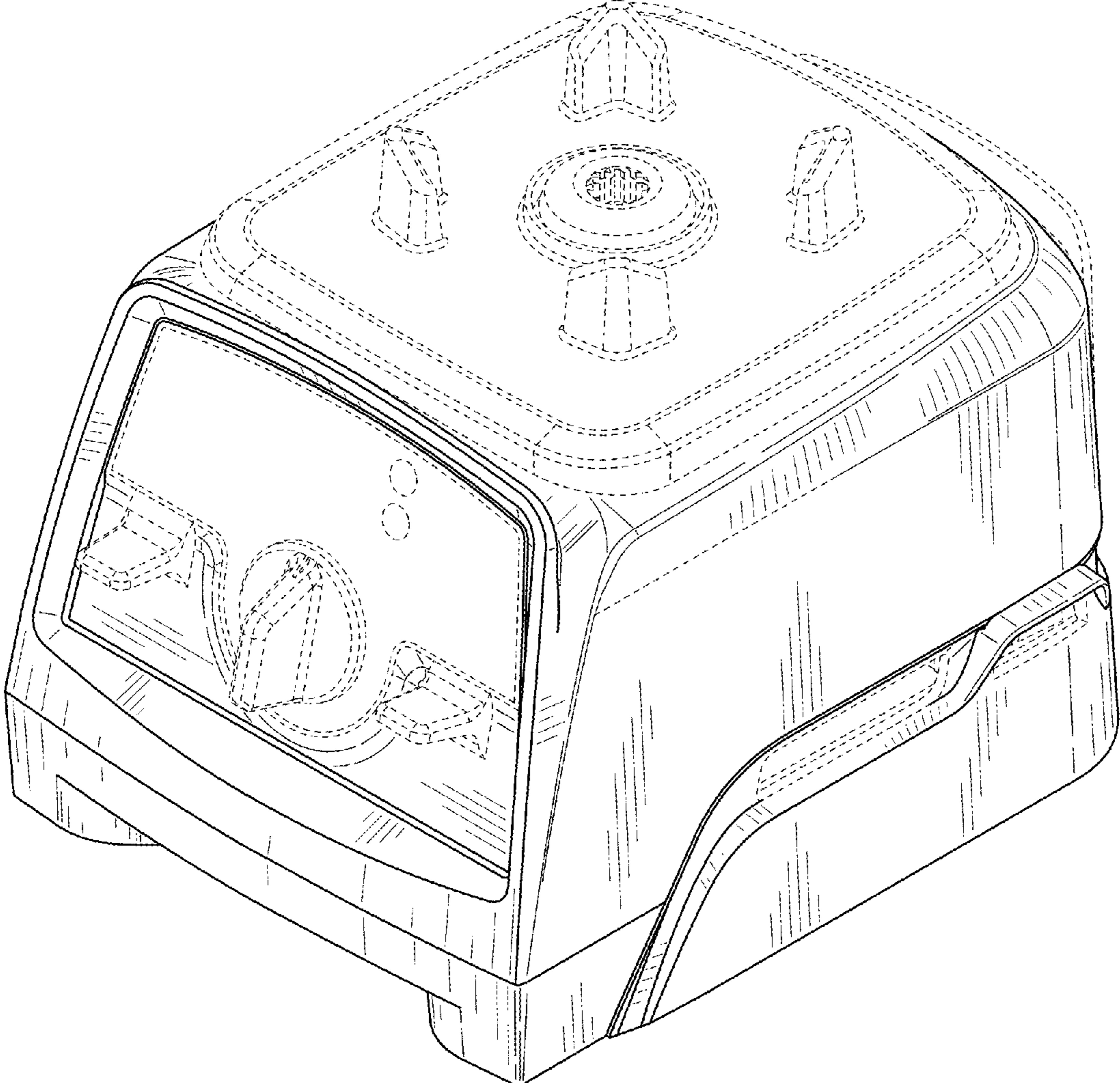


FIG. 1

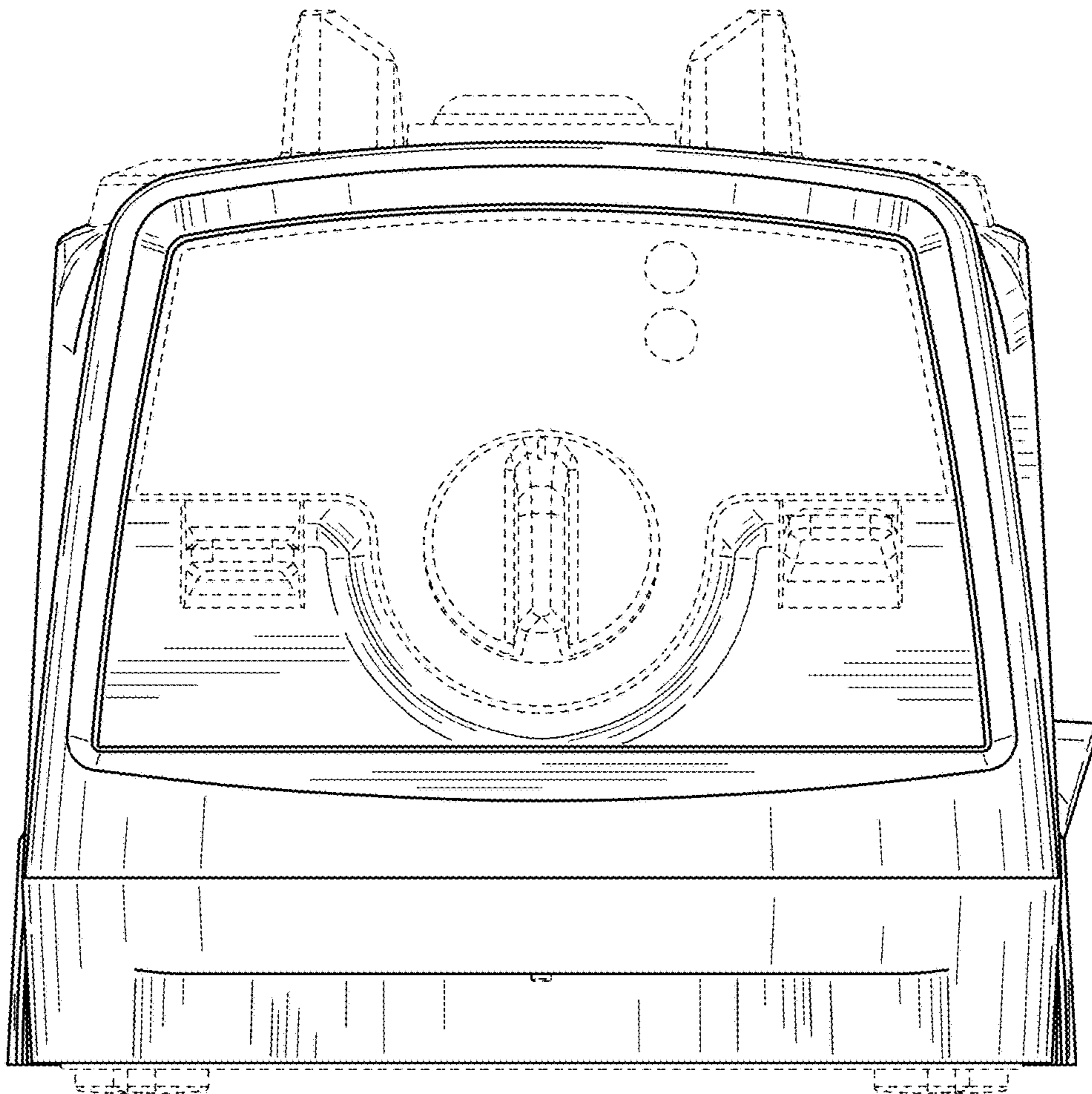


FIG. 2

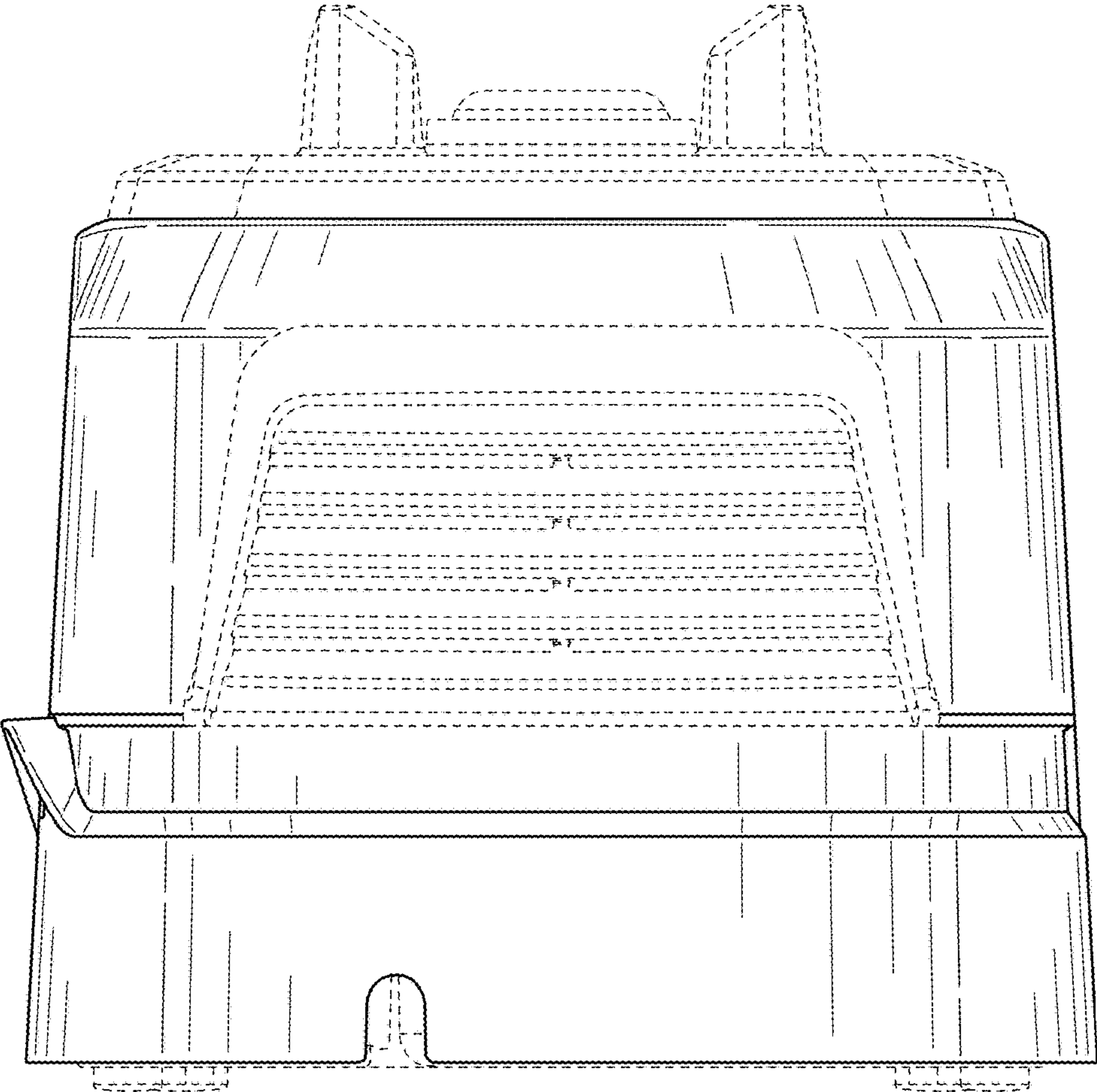


FIG. 3

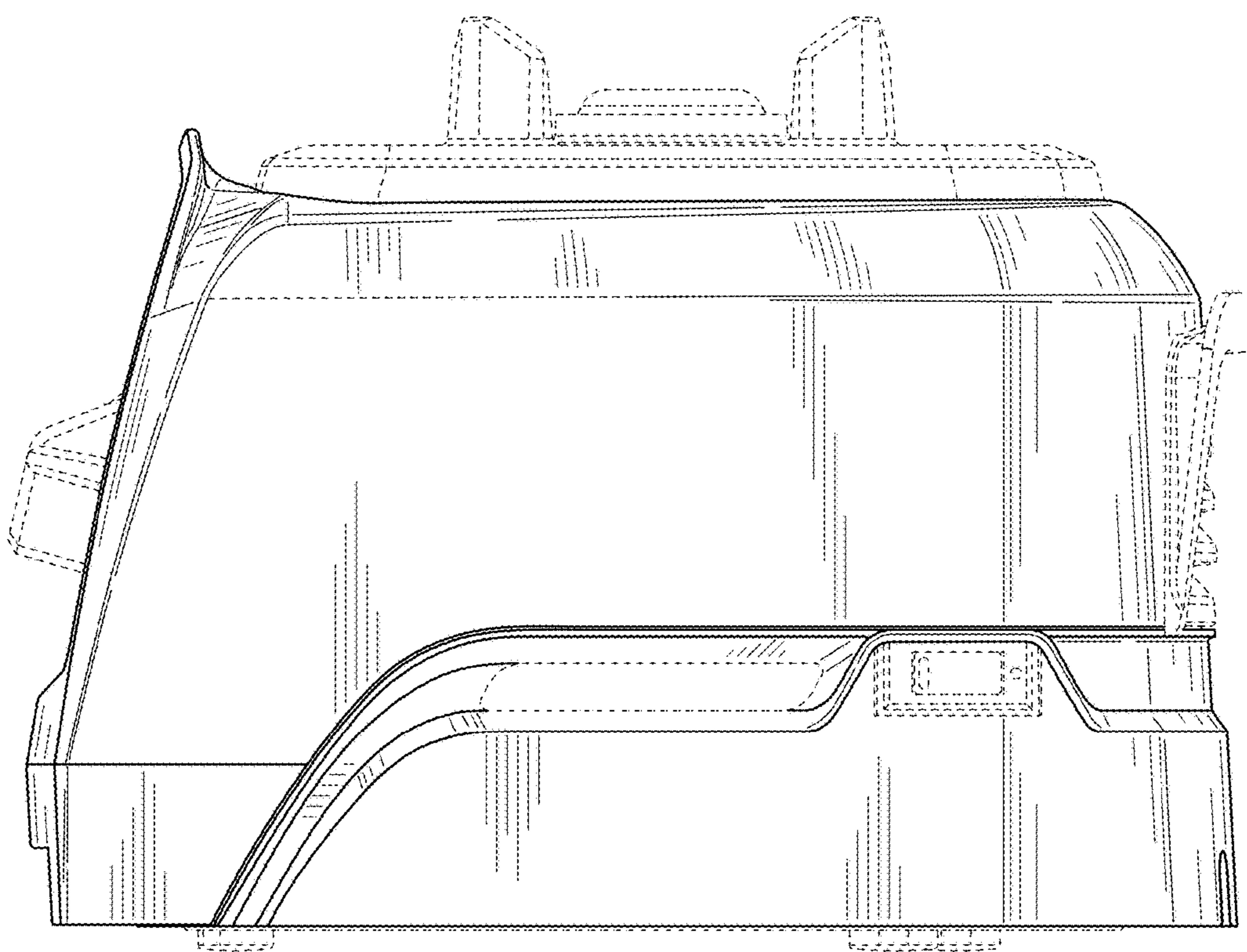


FIG. 4

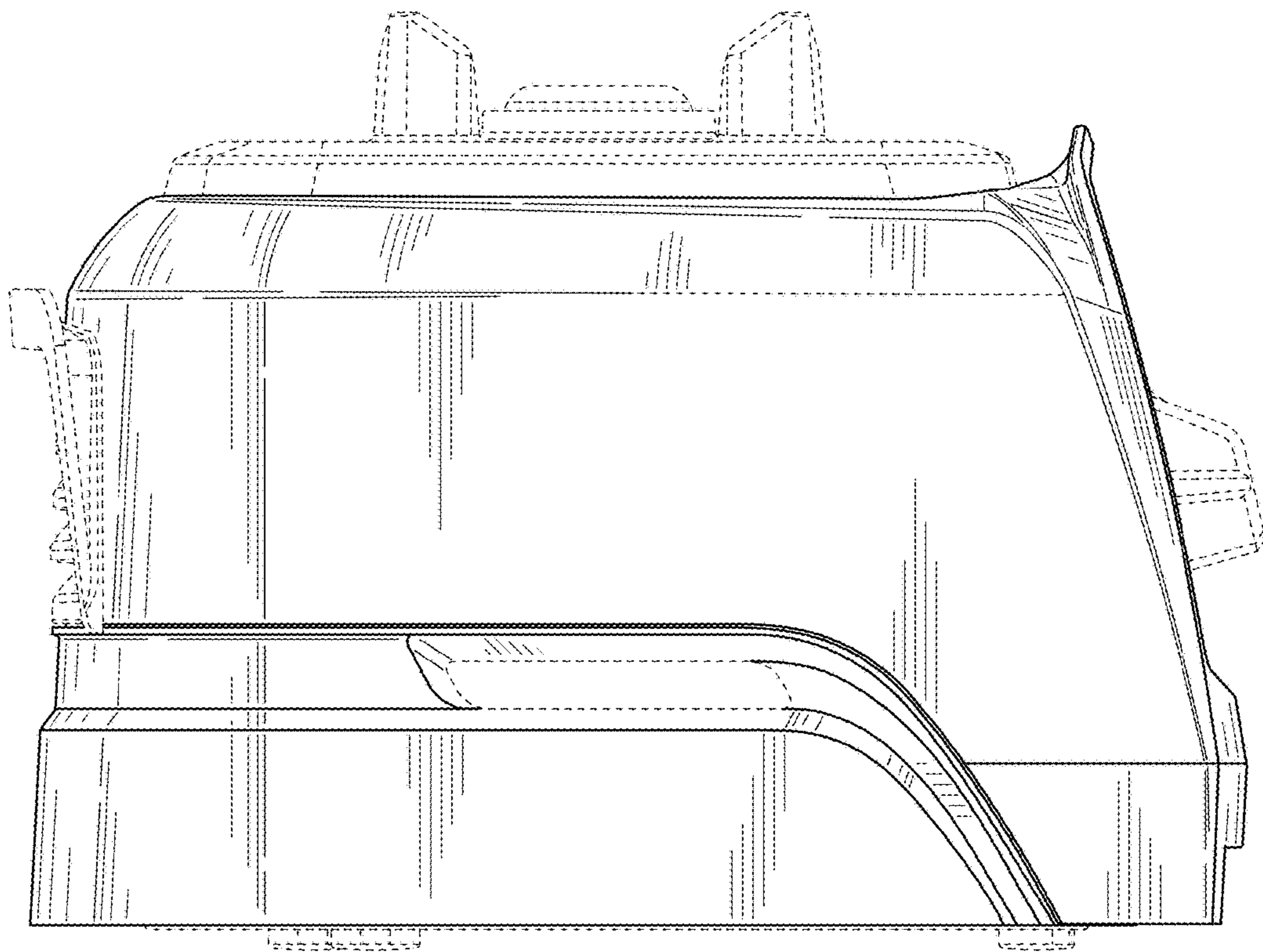


FIG. 5

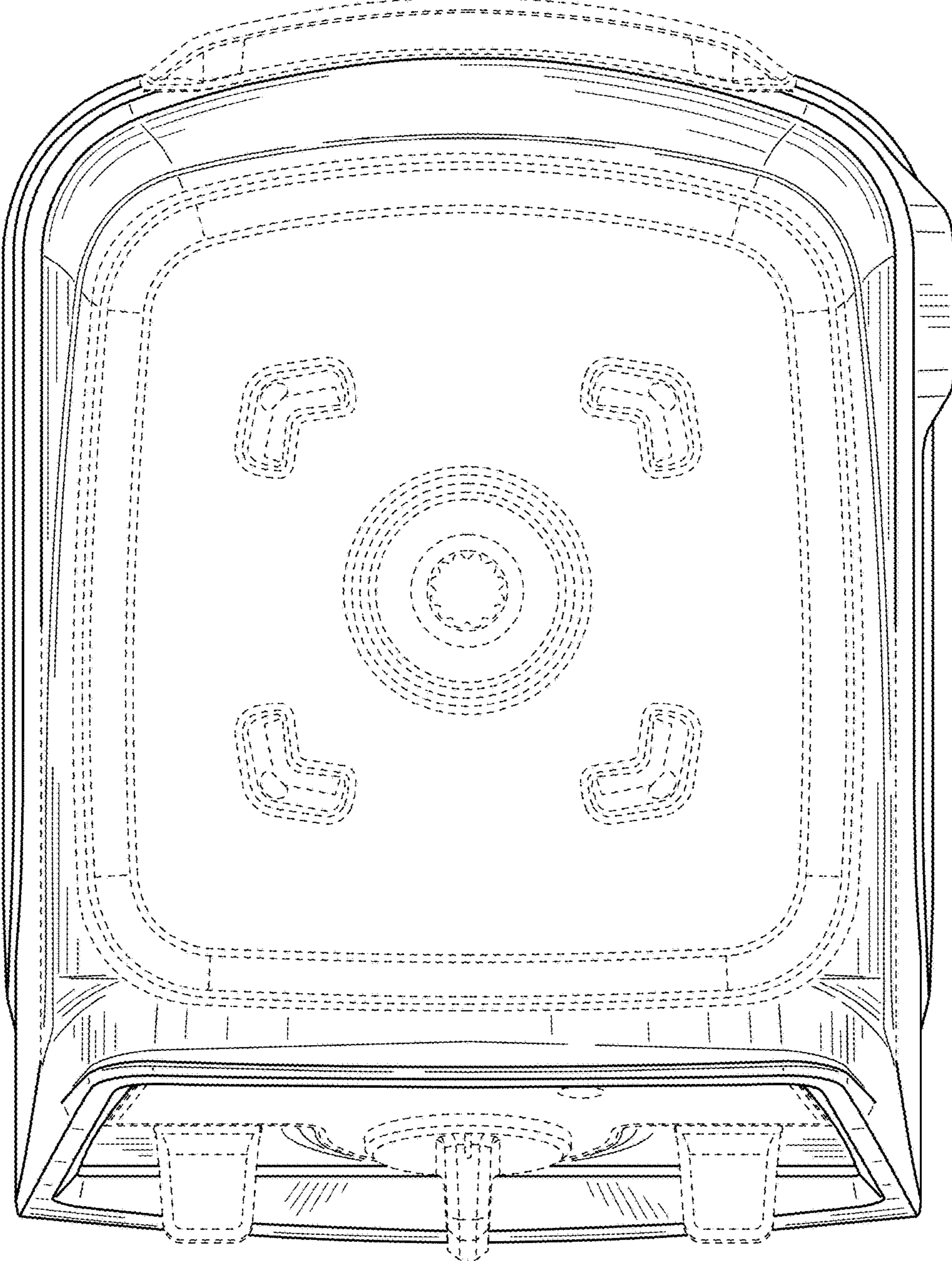


FIG. 6

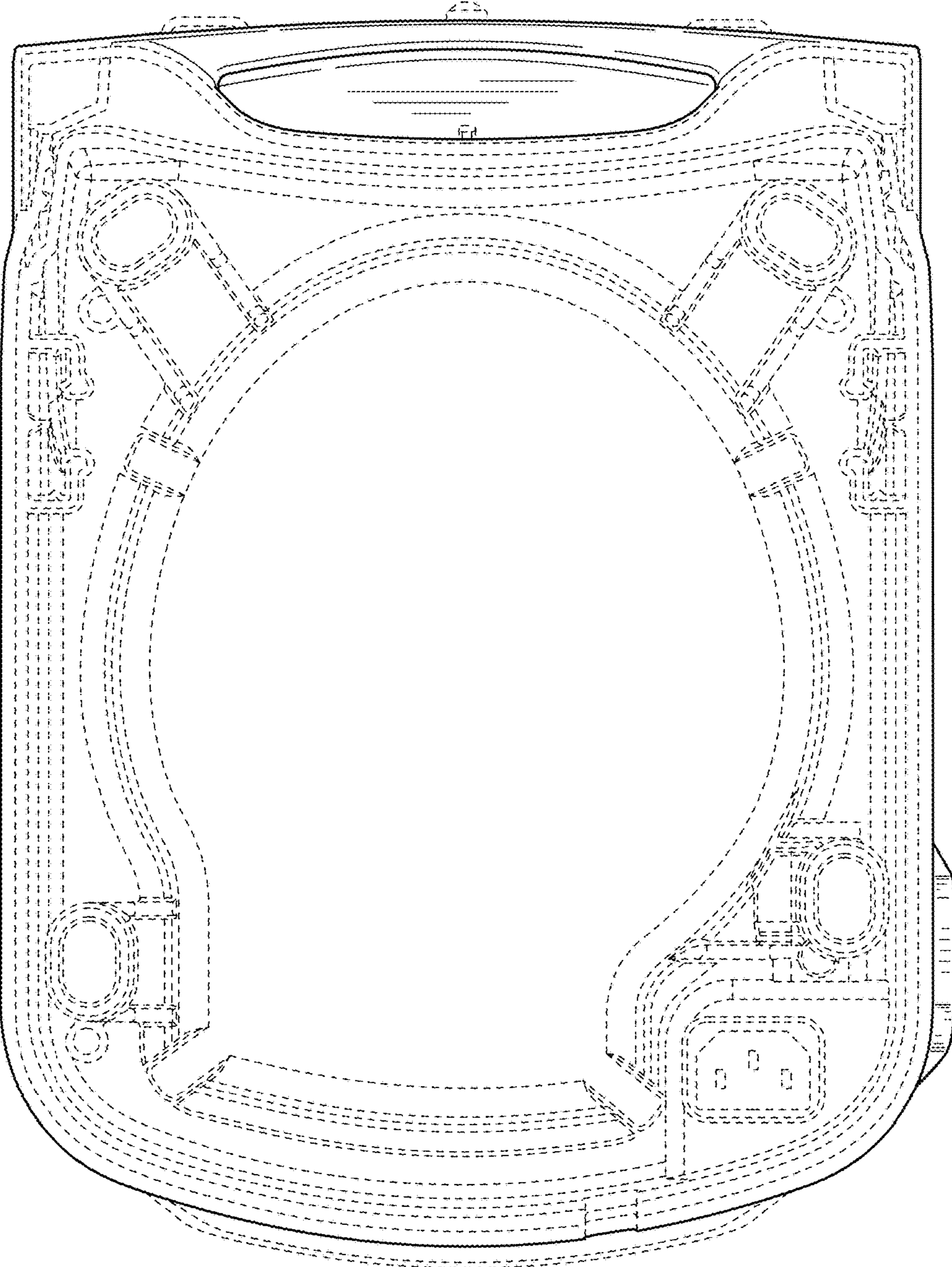


FIG. 7