



US00D832025S

(12) **United States Design Patent** (10) **Patent No.:** **US D832,025 S**
Garcia Luna et al. (45) **Date of Patent:** **** *Oct. 30, 2018**

(54) **BAKING DISH**
(71) Applicant: **Libbey Glass Inc.**, Toledo, OH (US)
(72) Inventors: **Luis Alberto Garcia Luna**, Monterrey (MX); **Jorge Abraham Gonzalez Villarreal**, Monterrey (MX); **Robert Laurel Zollweg**, Toledo, OH (US); **Allen J. Hutton**, Ottawa Hills, OH (US); **Gregory A. Pax**, Sylvania, OH (US)

D212,821 S * 11/1968 Benes D7/545
D216,477 S 1/1970 Ketcham
D289,844 S 5/1987 Daenen et al.
D305,086 S 12/1989 Stewart
D312,941 S 12/1990 Zivin
D326,797 S * 6/1992 Pomroy D7/354
D370,598 S 6/1996 Koch
D415,656 S 10/1999 Henry
D417,367 S * 12/1999 Laib D7/360
D418,017 S * 12/1999 Henry D7/545
D459,635 S 7/2002 Henry
(Continued)

(73) Assignee: **LIBBEY GLASS INC.**, Toledo, OH (US)

OTHER PUBLICATIONS

(*) Notice: This patent is subject to a terminal disclaimer.

Notice of Allowance, U.S. Appl. No. 29/616,933, dated Jun. 1, 2018.

(Continued)

(**) Term: **15 Years**

Primary Examiner — Ricky Pham

(21) Appl. No.: **29/616,934**

(74) *Attorney, Agent, or Firm* — MacMillan, Sobanski & Todd, LLC

(22) Filed: **Sep. 11, 2017**

(51) **LOC (11) Cl.** **07-02**

(57) **CLAIM**

(52) **U.S. Cl.**
USPC **D7/360; D7/354**

The ornamental design for a baking dish, as shown and described.

(58) **Field of Classification Search**
USPC D7/323, 354–361, 538, 542–543, 545, D7/549, 550.1, 553.1–553.8, 554.1–554.4, D7/555, 584, 586, 602, 605; D9/428, D9/430–433, 455–456, 737, 756–762
CPC A21B 3/00; A21B 3/13; A21B 3/15; A21B 3/134; A21B 5/00; A21B 5/02; A47J 36/022; A47J 36/025; A47J 36/027; A47J 37/00; A47J 37/04; B65D 1/22; B65D 1/24; B65D 1/34; B65D 1/36; B65D 81/343; B65D 85/36
See application file for complete search history.

DESCRIPTION

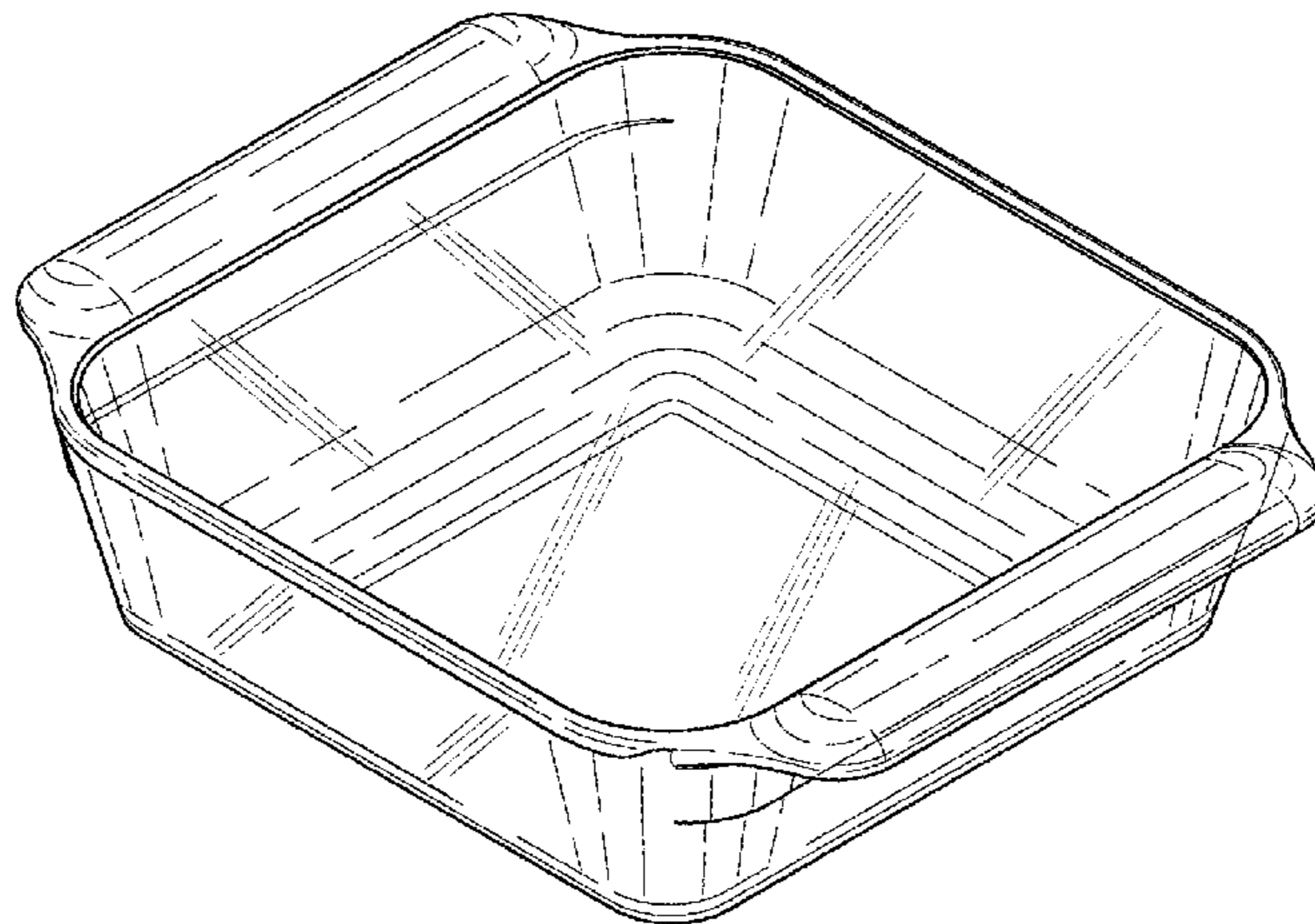
FIG. 1 is a top perspective view of a baking dish showing our new design;
FIG. 2 is a top plan view thereof;
FIG. 3 is a front elevational view thereof; the rear elevational view being identical;
FIG. 4 is a right side elevational view thereof; the left side elevational view being identical;
FIG. 5 is a bottom plan view thereof;
FIG. 6 is a cross-sectional view taken along line 6-6 of FIG. 2; and,
FIG. 7 is a cross-sectional view taken along line 7-7 of FIG. 2.

(56) **References Cited**

U.S. PATENT DOCUMENTS

D177,187 S 3/1956 Melich et al.
D193,200 S * 7/1962 Bergeron D27/134

1 Claim, 4 Drawing Sheets



(56)

References Cited

U.S. PATENT DOCUMENTS

D475,246	S	*	6/2003	Jorgensen	D7/545
D475,579	S		6/2003	Jorgensen	
D476,851	S		7/2003	Wuestman	
D483,218	S		12/2003	Fino et al.	
D483,616	S	*	12/2003	Thonis	D7/545
D483,617	S		12/2003	Watson	
D551,492	S	*	9/2007	Schuler	D7/354
D580,750	S		11/2008	Claassen et al.	
D588,859	S	*	3/2009	Simon	D7/354
D590,663	S		4/2009	Simon et al.	
D599,623	S	*	9/2009	de Groote	D7/545
D607,689	S		1/2010	Hart et al.	
D653,901	S	*	2/2012	Sarnoff	D7/354
D679,548	S		4/2013	Chen	
D688,084	S	*	8/2013	Henry	D7/354
D762,083	S	*	7/2016	Librus	D7/354

OTHER PUBLICATIONS

Notice of Allowance, U.S. Appl. No. 29/616,935, dated Jun. 1, 2018.

Office Action, U.S. Appl. No. 29/616,934, dated May 17, 2018.

Office Action, U.S. Appl. No. 29/616,936, dated May 17, 2018.

* cited by examiner

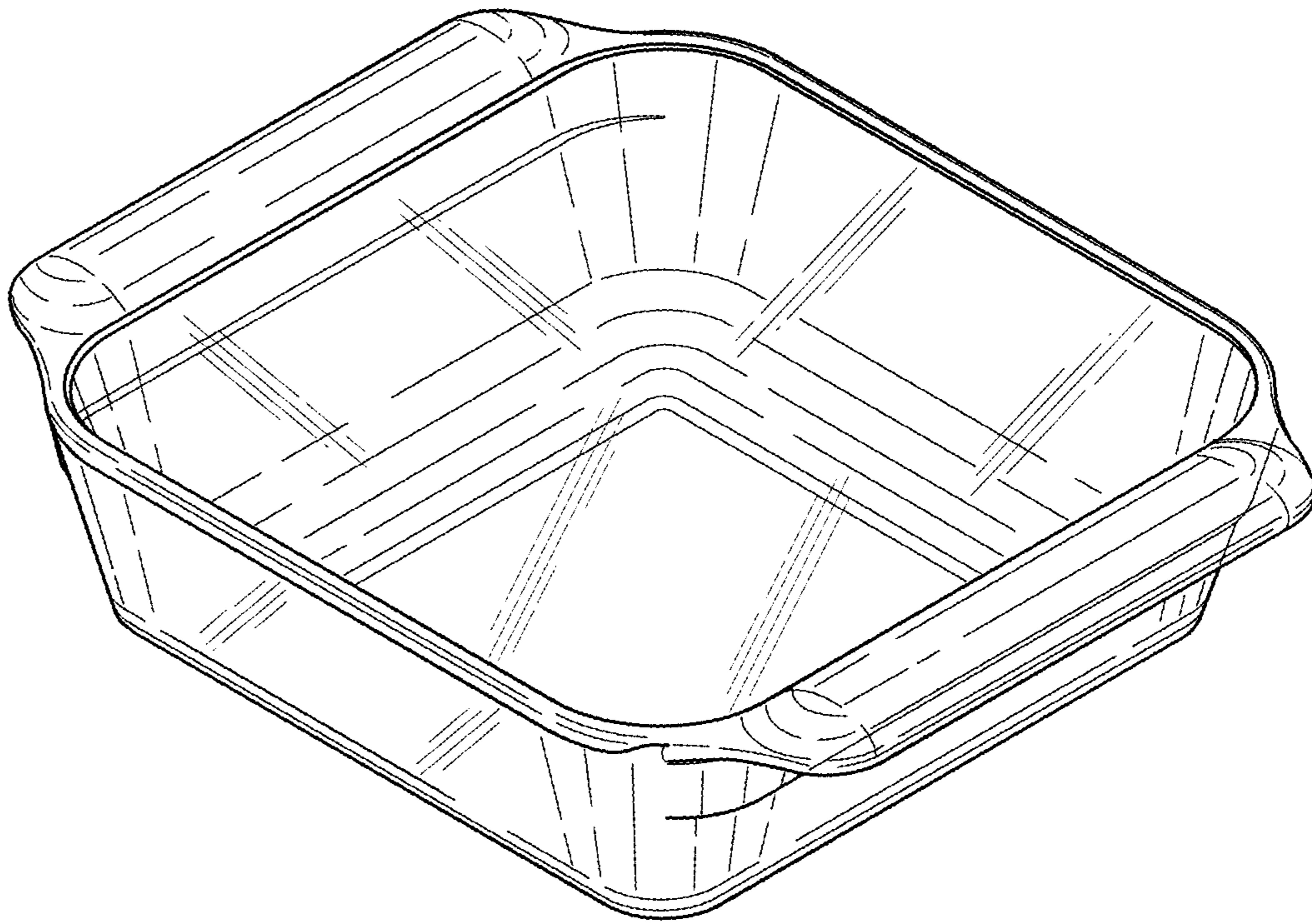


FIG. 1

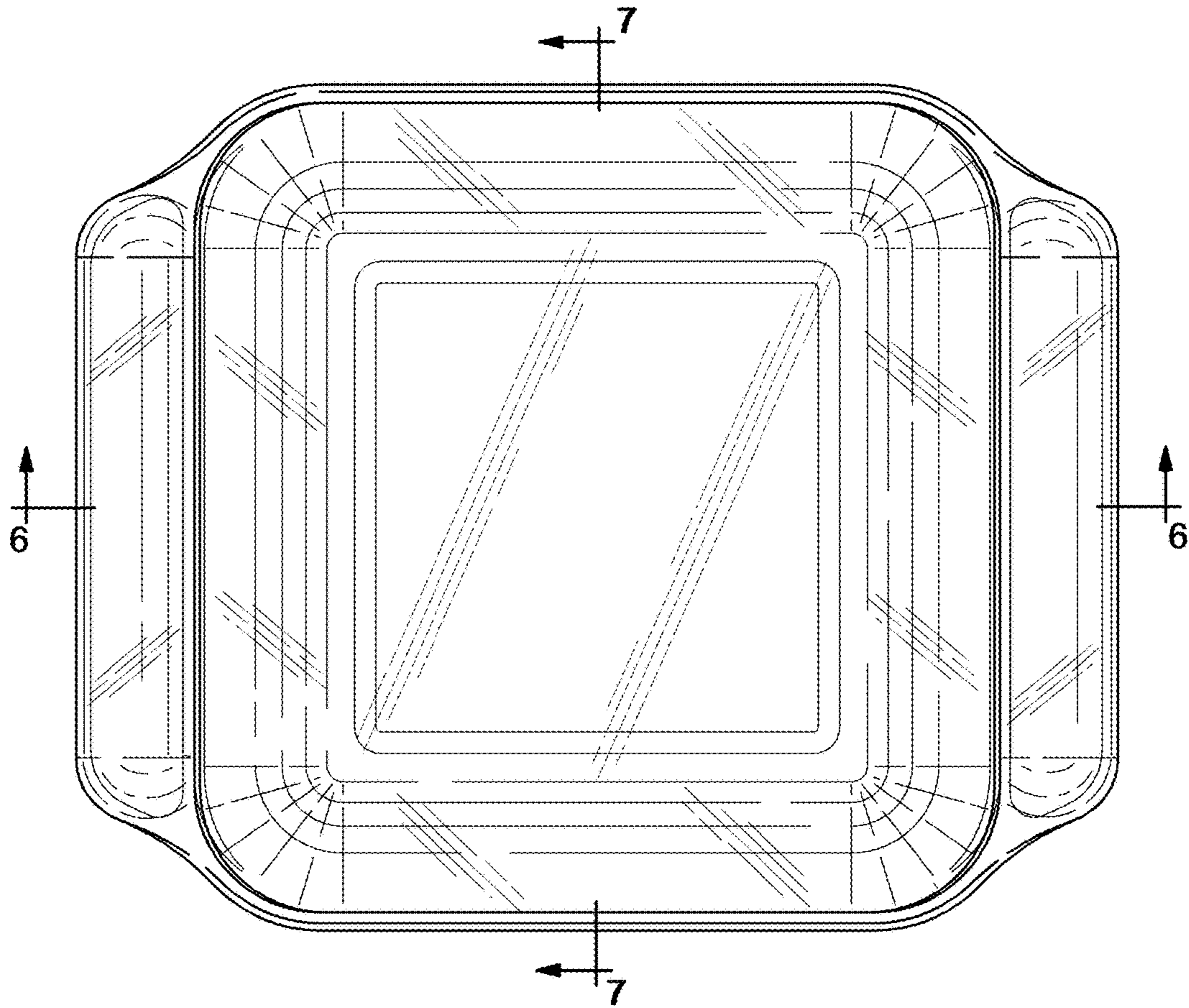


FIG. 2

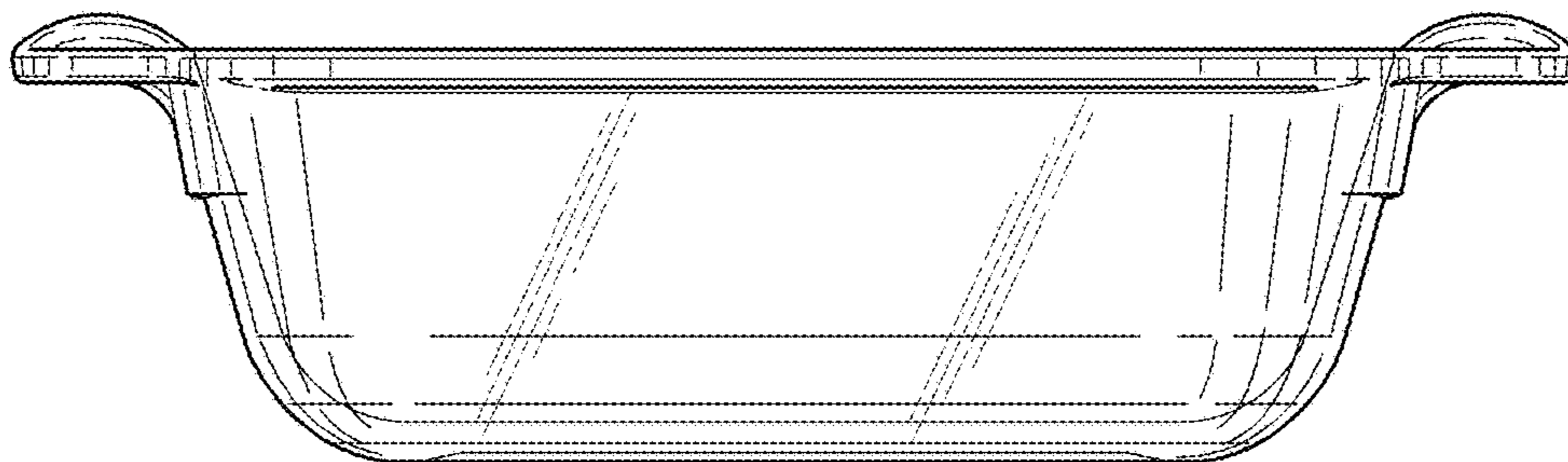


FIG. 3

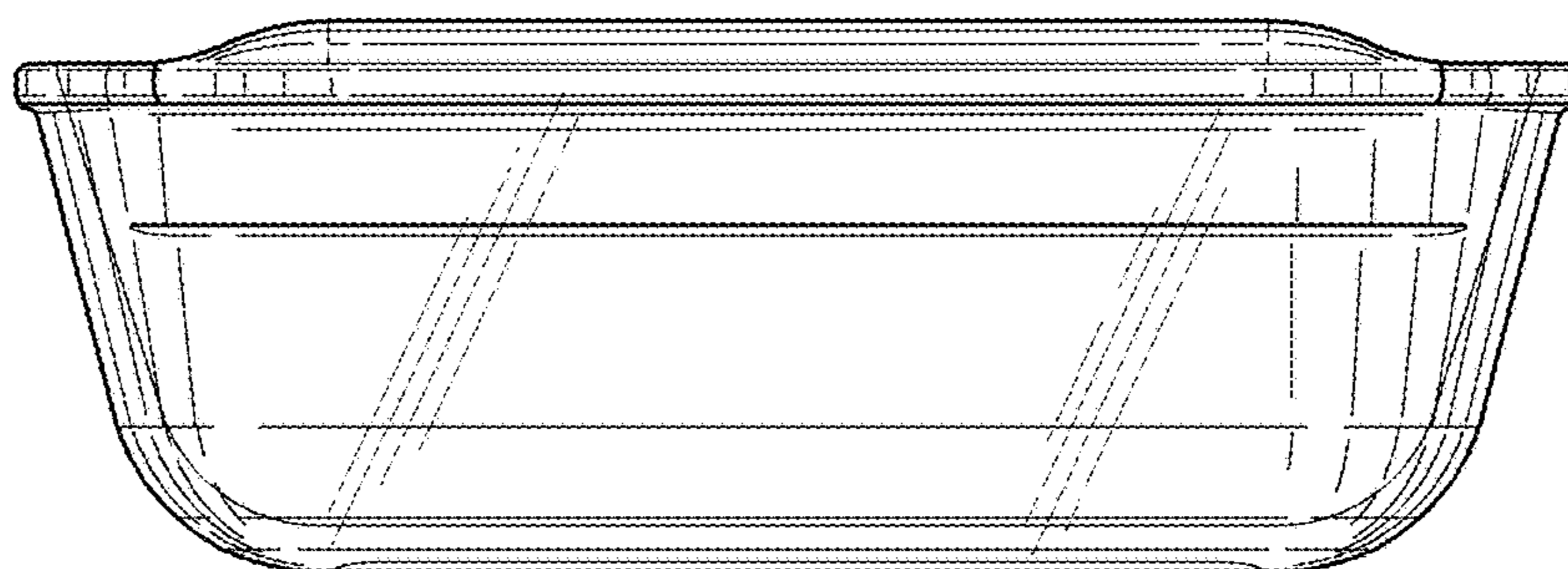


FIG. 4

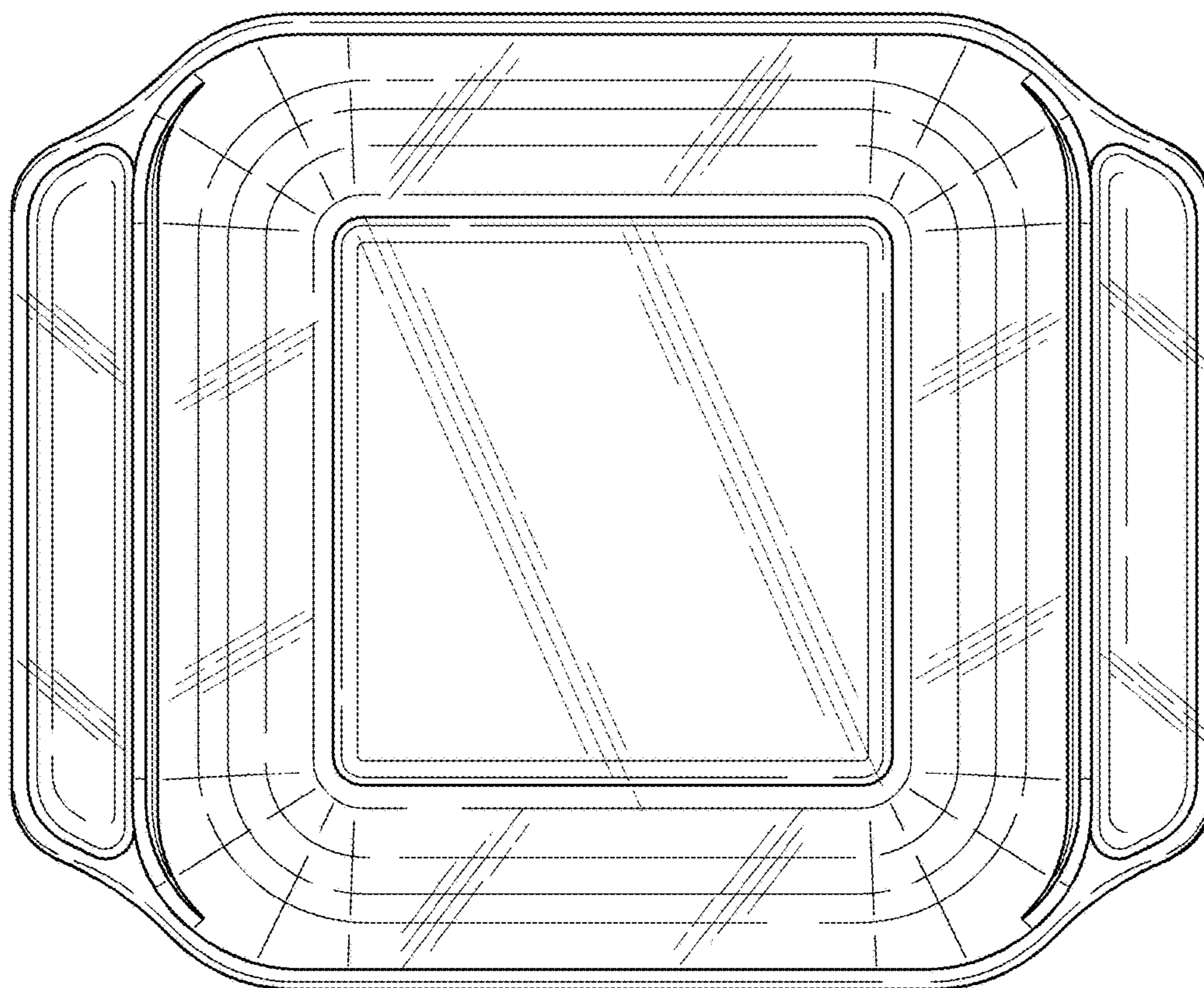


FIG. 5

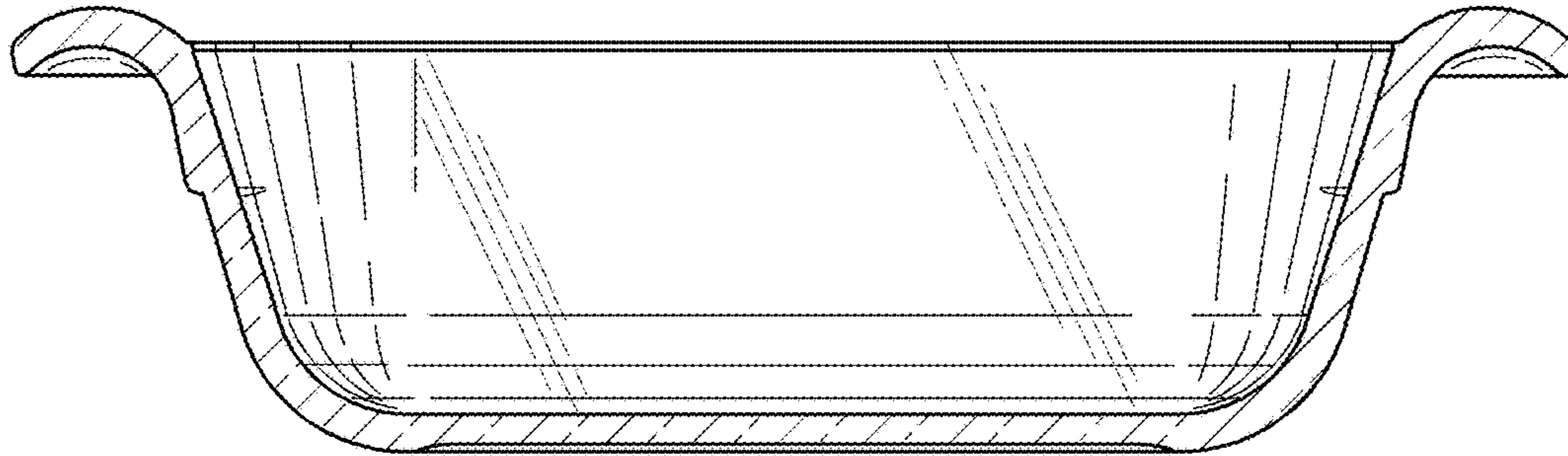


FIG. 6

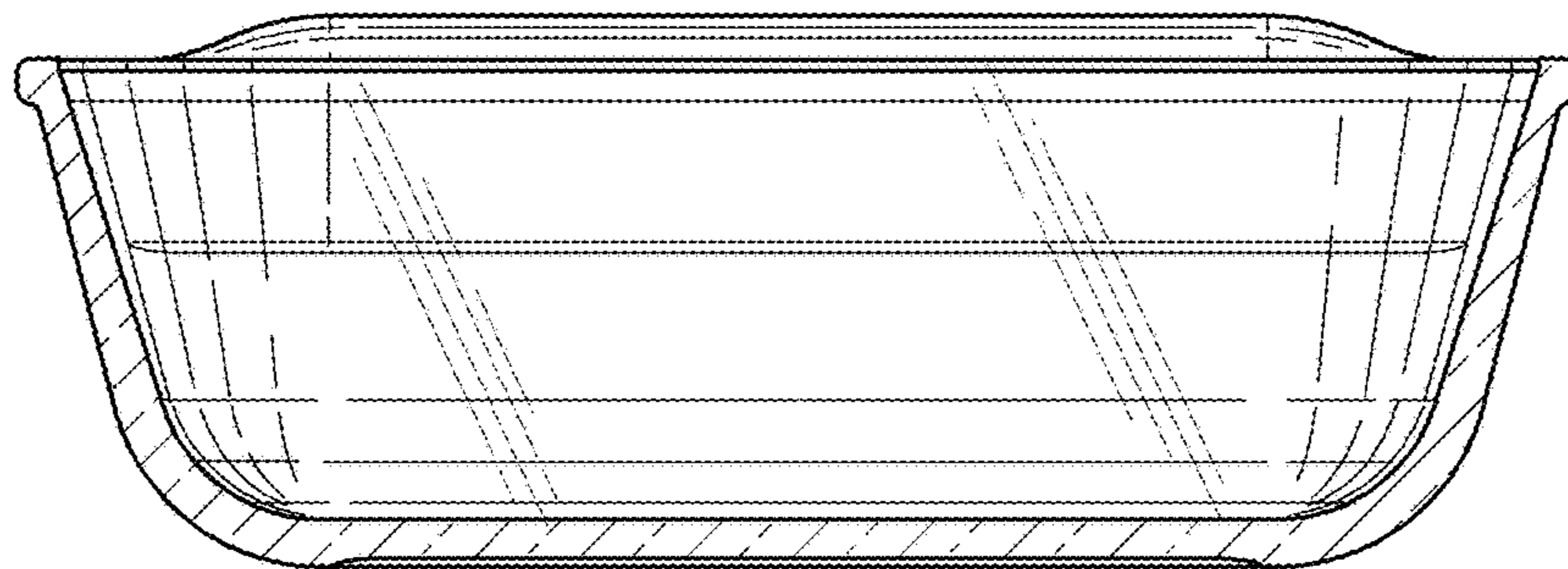


FIG. 7