



US00D832024S

(12) **United States Design Patent**
Wessels

(10) **Patent No.:** **US D832,024 S**

(45) **Date of Patent:** **** Oct. 30, 2018**

(54) **ELECTRIC RICE COOKER**

(71) Applicant: **SEB**, Selongey (FR)

(72) Inventor: **Nils Wessels**, Dijon (FR)

(73) Assignee: **SEB**, Selongey (FR)

(**) Term: **15 Years**

(21) Appl. No.: **29/587,393**

(22) Filed: **Dec. 13, 2016**

(30) **Foreign Application Priority Data**

Jun. 17, 2016 (EM) 003227529-0001

(51) **LOC (11) Cl.** **07-02**

(52) **U.S. Cl.**
USPC **D7/354**

(58) **Field of Classification Search**
USPC D7/323, 337, 339-341, 352, 354-358,
D7/360-367, 393, 402-403, 407-411,
D7/601, 605, 629, 701, 703; D9/761
CPC A21B 1/06; A21B 1/50; A21B 1/52; A47J
37/04; A47J 37/06; A47J 37/015; A47J
37/067; A47J 37/0611; A47J 37/0629;
A47J 37/0676; A47J 37/108; F24C 7/06;
F24C 7/083; F24C 15/02; F24C 15/66;
H05B 3/20; H05B 3/40

See application file for complete search history.

(56) **References Cited**

U.S. PATENT DOCUMENTS

D280,064 S 8/1985 Obata et al.
D416,434 S 11/1999 Pollnow
D425,360 S 5/2000 Dobson et al.
6,177,655 B1 * 1/2001 Toman A47J 27/002
219/432
6,199,473 B1 * 3/2001 Dotan A47J 37/04
99/332
D450,528 S 11/2001 Rossman

D487,212 S * 3/2004 Park D7/360
6,730,889 B1 * 5/2004 Jones-Lawlor A47J 27/004
219/435
D516,374 S * 3/2006 McLemore D7/354
D542,081 S * 5/2007 Picozza D7/354
D556,504 S 12/2007 Averty

(Continued)

FOREIGN PATENT DOCUMENTS

PH 2201100349 Z * 9/2011

OTHER PUBLICATIONS

IMUSA 5-Cup Rice Cooker, posted at Target.com, posted on ©
2013, site visited Jan. 30, 2018, <<https://www.target.com/p/imusa-5-cup-rice-cooker/-/A-13596066>>.*

(Continued)

Primary Examiner — Barbara Fox
Assistant Examiner — Messina L Smith
(74) *Attorney, Agent, or Firm* — Loeb & Loeb LLP

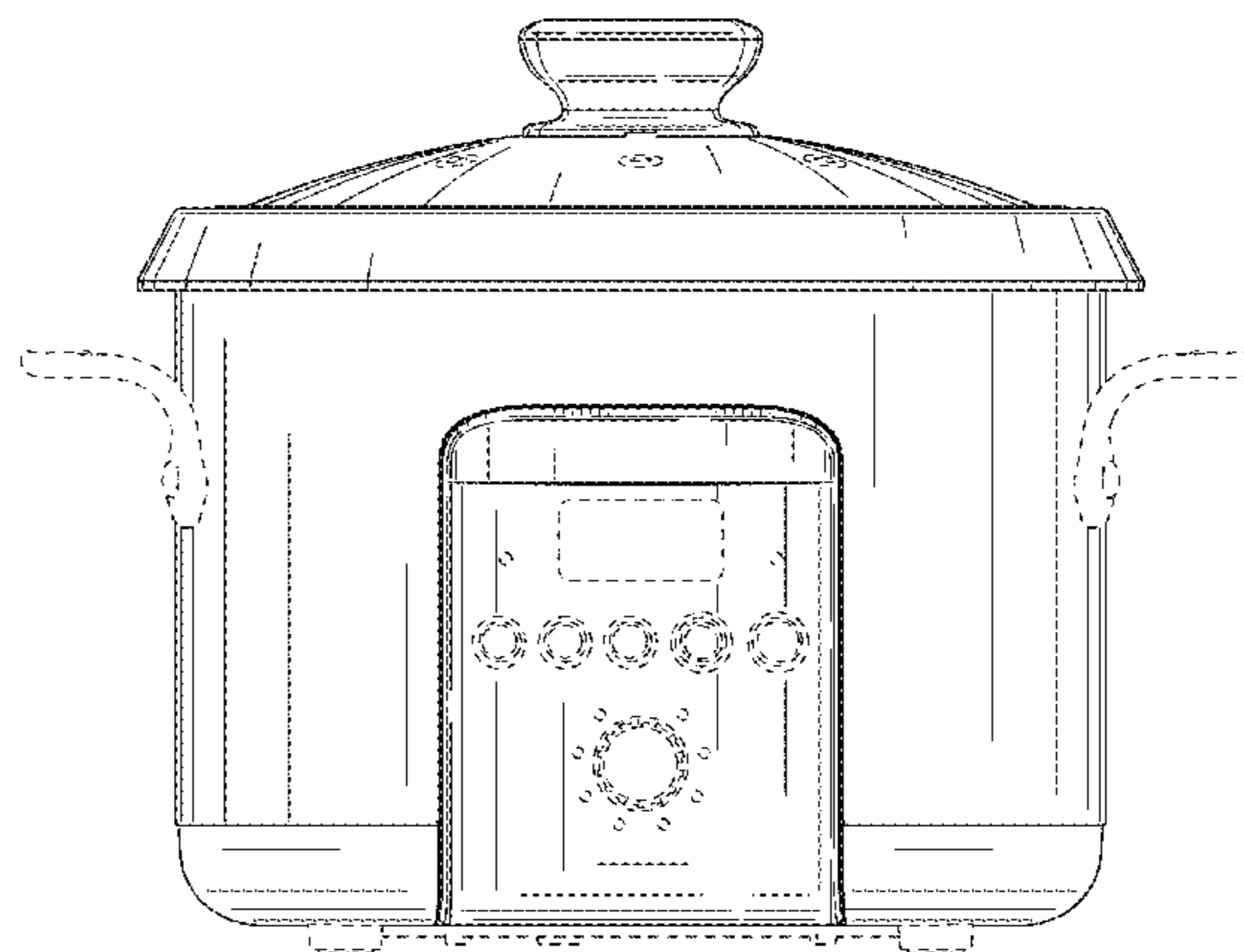
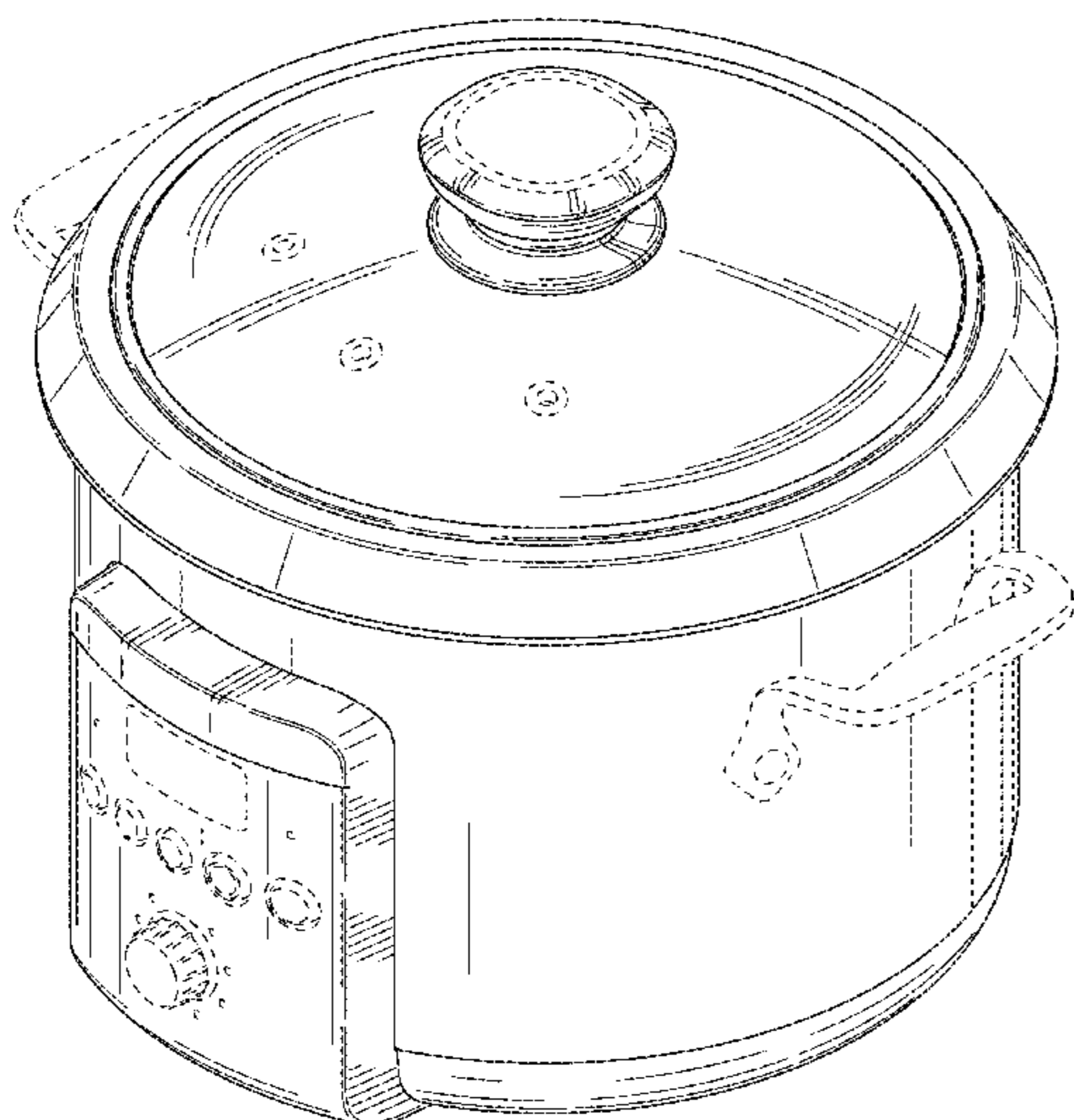
(57) **CLAIM**

The ornamental design for an electric rice cooker, as shown and described.

DESCRIPTION

FIG. 1 is an isometric view of an electric rice cooker showing my new design;
FIG. 2 is a front elevational view thereof;
FIG. 3 is a rear elevational view thereof;
FIG. 4 is a right side elevational view thereof;
FIG. 5 is a left side elevational view thereof;
FIG. 6 is a top view thereof; and,
FIG. 7 is a bottom view thereof.
The broken lines shown in the drawings depict portions of the electric rice cooker that form no part of the claimed design. The dot dash line is for the purpose of illustrating the bounds of the claimed design and forms no part thereof.

1 Claim, 7 Drawing Sheets



(56)

References Cited

U.S. PATENT DOCUMENTS

D568,101 S 5/2008 Kaney et al.
 D568,676 S * 5/2008 Steiner D7/354
 D590,654 S 4/2009 Perkins et al.
 D635,818 S 4/2011 Tse
 D641,202 S 7/2011 Bock et al.
 D642,422 S 8/2011 Averty
 D646,114 S 10/2011 Wong
 D659,462 S 5/2012 Hundley et al.
 D667,680 S * 9/2012 Bock D7/354
 D682,009 S 5/2013 Day et al.
 D698,595 S 2/2014 Kunz
 D701,416 S * 3/2014 Day D7/354
 D730,107 S * 5/2015 MacInnis D7/354
 D802,987 S * 11/2017 Corlay D7/358
 D803,616 S * 11/2017 Day D7/360
 2004/0007564 A1 * 1/2004 Li A47J 27/004
 219/391

2004/0124197 A1 * 7/2004 Hasegawa A47J 27/09
 220/316
 2004/0188412 A1 * 9/2004 Li A47J 27/004
 219/433
 2005/0145615 A1 * 7/2005 Schaffeld A47J 36/10
 219/440
 2008/0083730 A1 4/2008 Dolgov et al.
 2009/0095169 A1 * 4/2009 York A47J 27/004
 99/448
 2014/0227401 A1 * 8/2014 Kounlavong A47J 27/09
 426/231

OTHER PUBLICATIONS

6 Cup Capacity (Cooked) Digital Rice Cooker, posted at Hamiltonbeach.com, posted on © 2018, site visited Jan. 30, 2018, <<https://www.hamiltonbeach.com/6-cup-capacity-cooked-digital-rice-cooker-37506>>.*

* cited by examiner

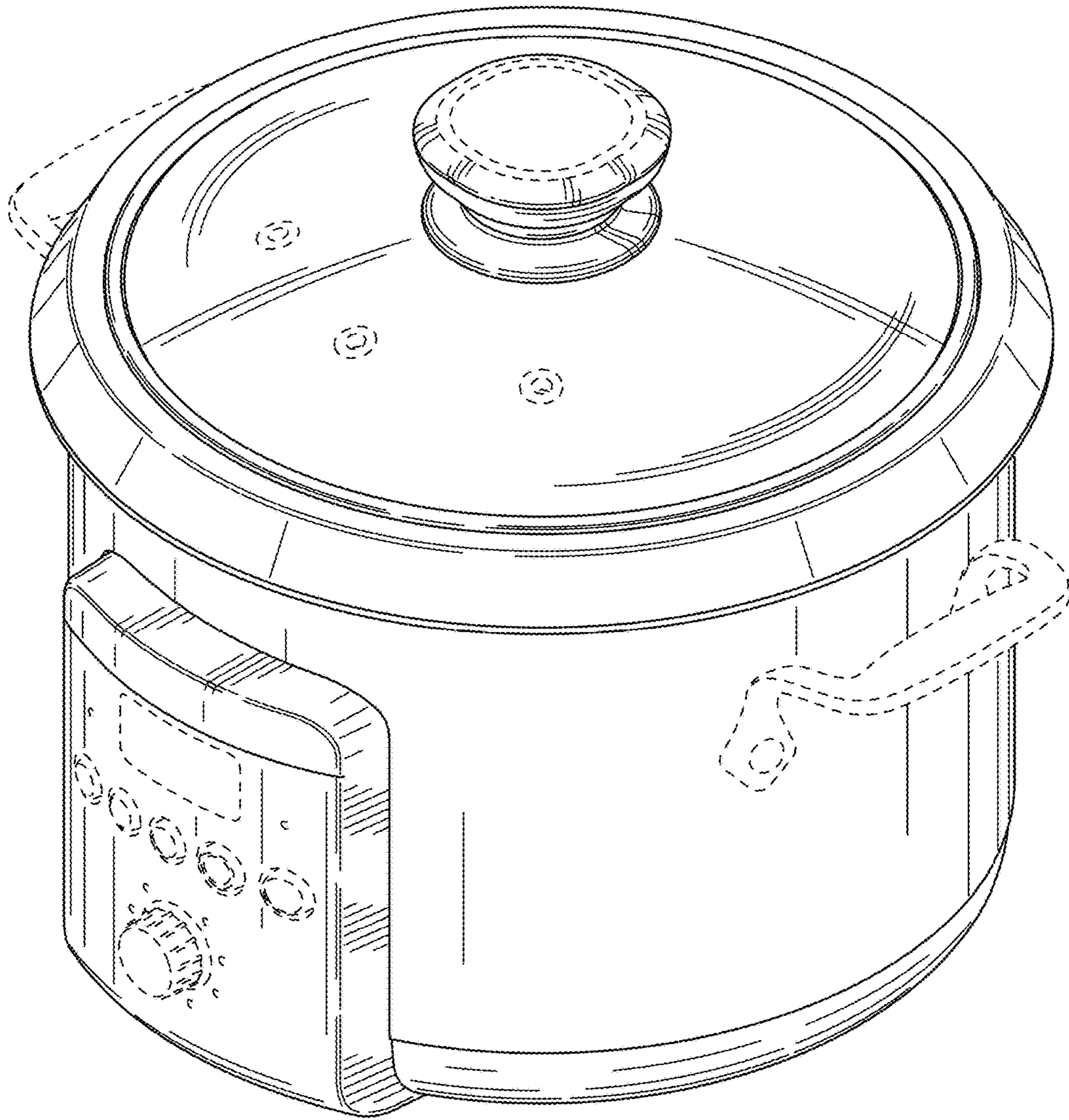


FIG. 1

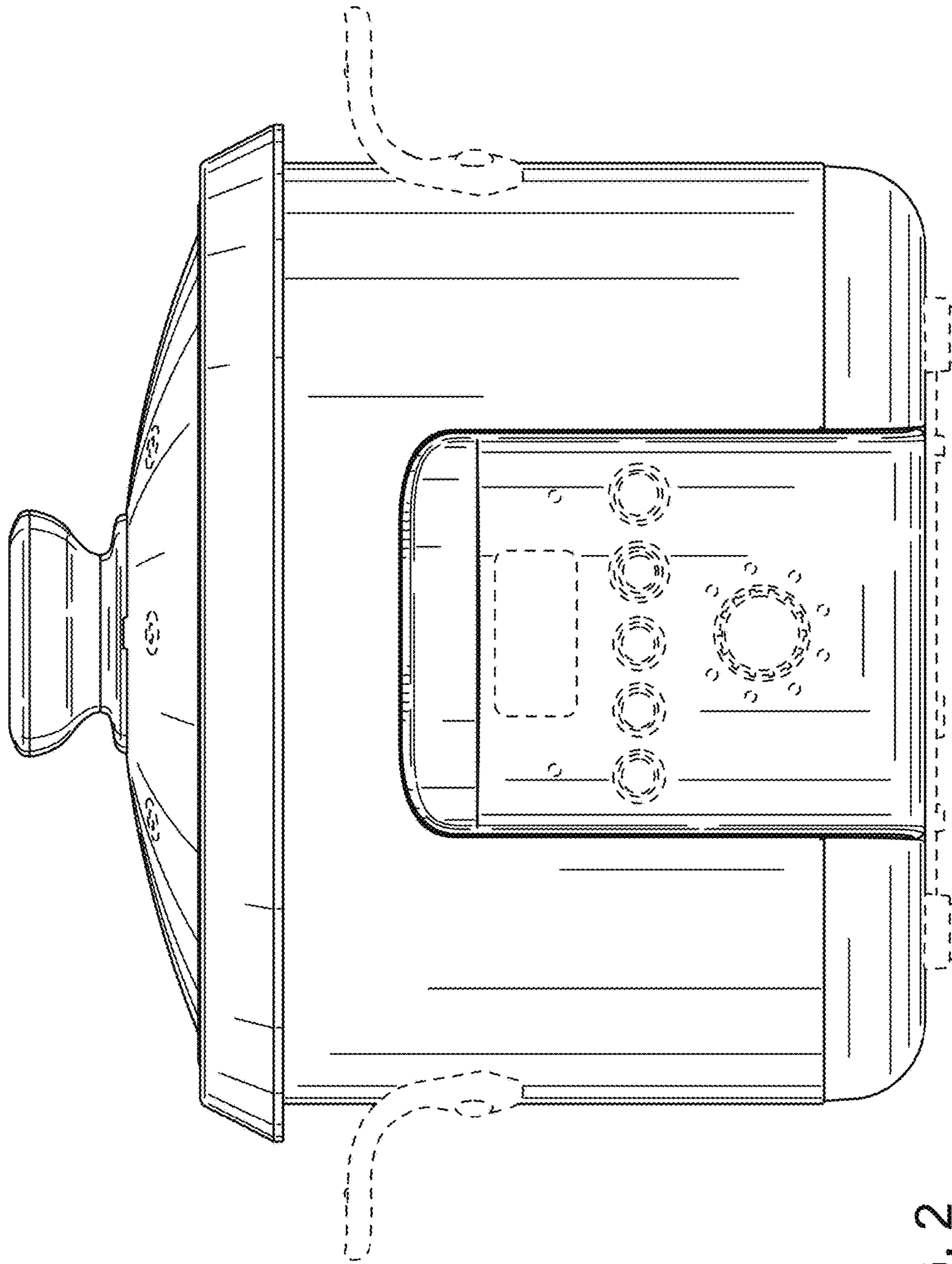


FIG. 2

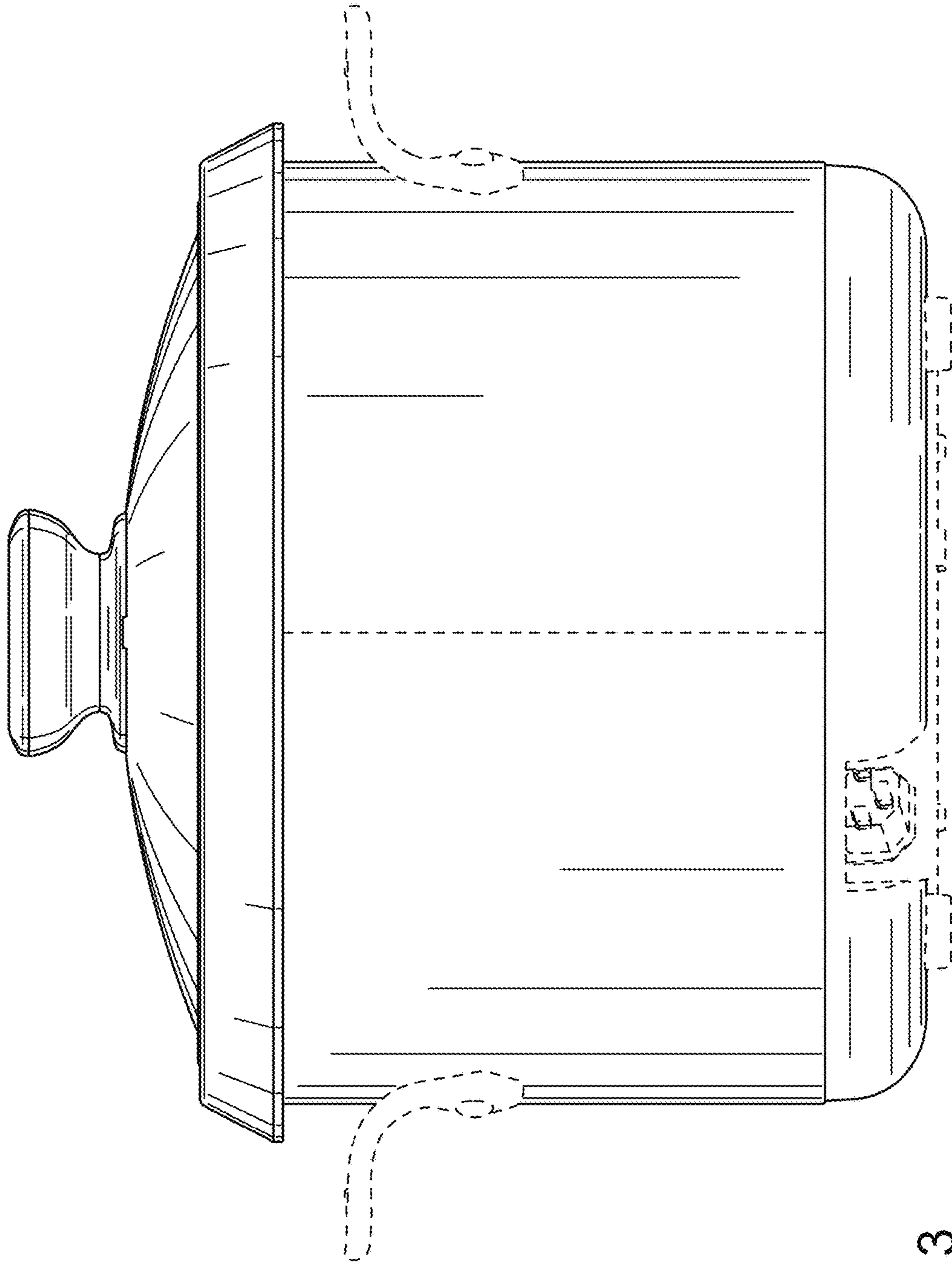


FIG. 3

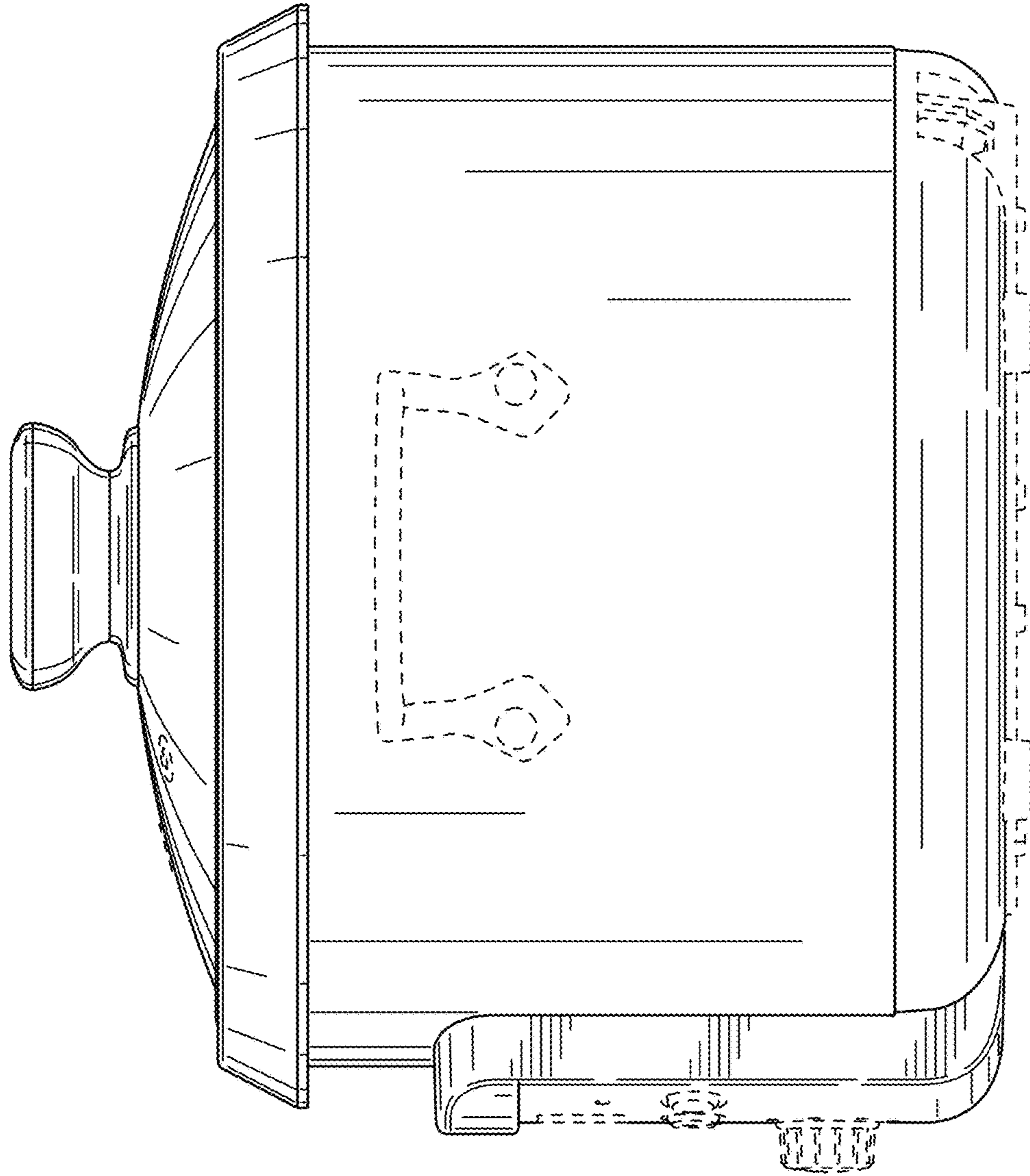


FIG. 4

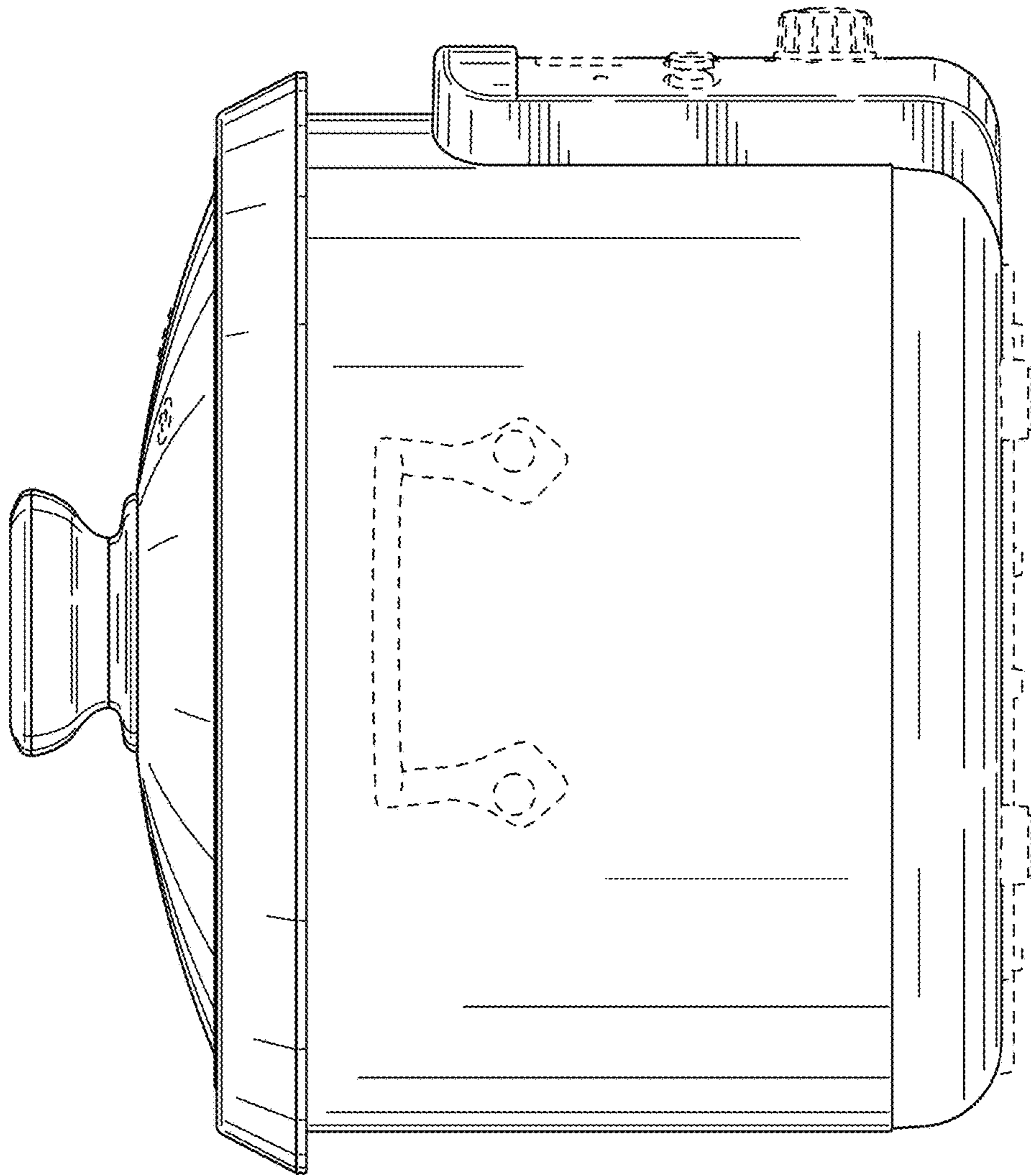


FIG. 5

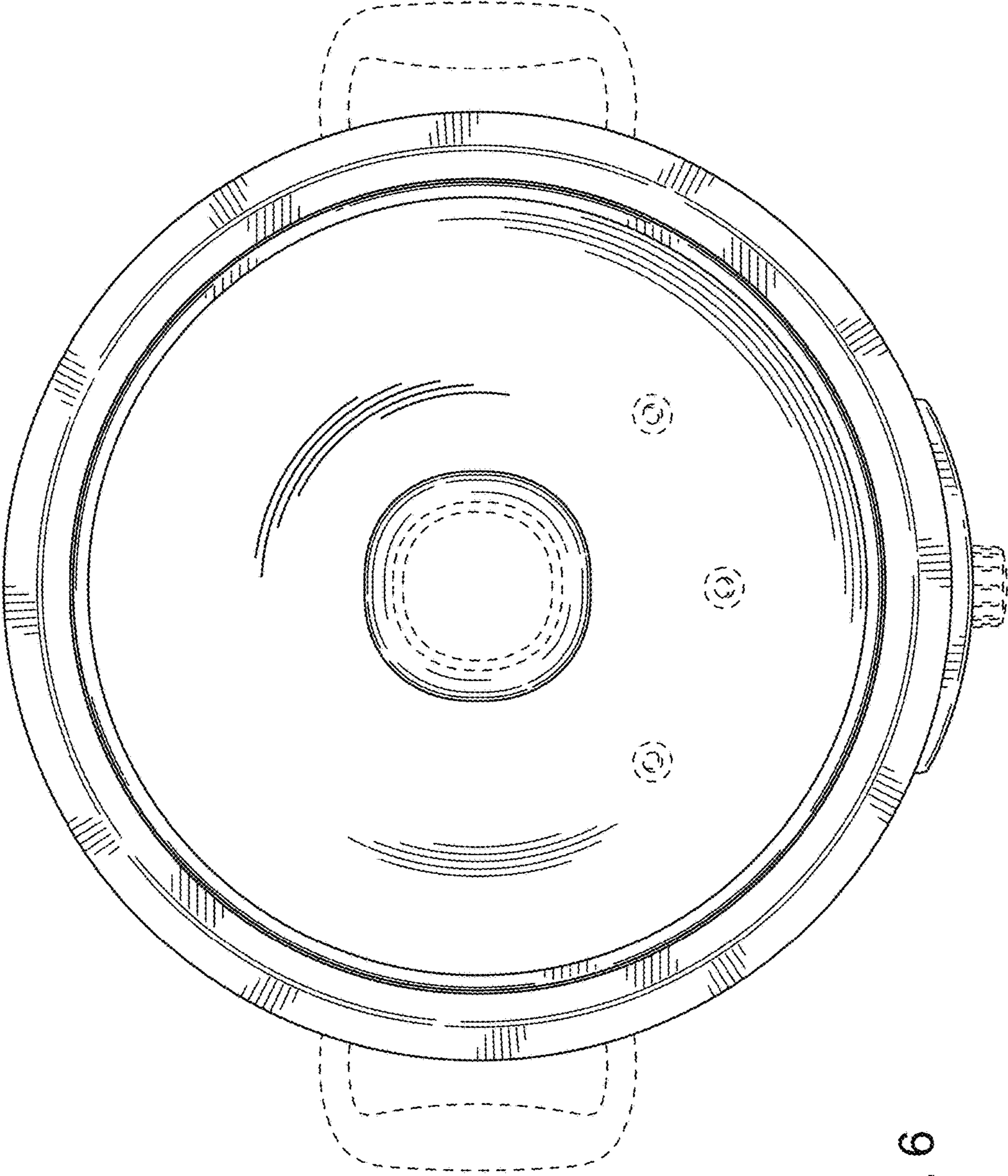


FIG. 6

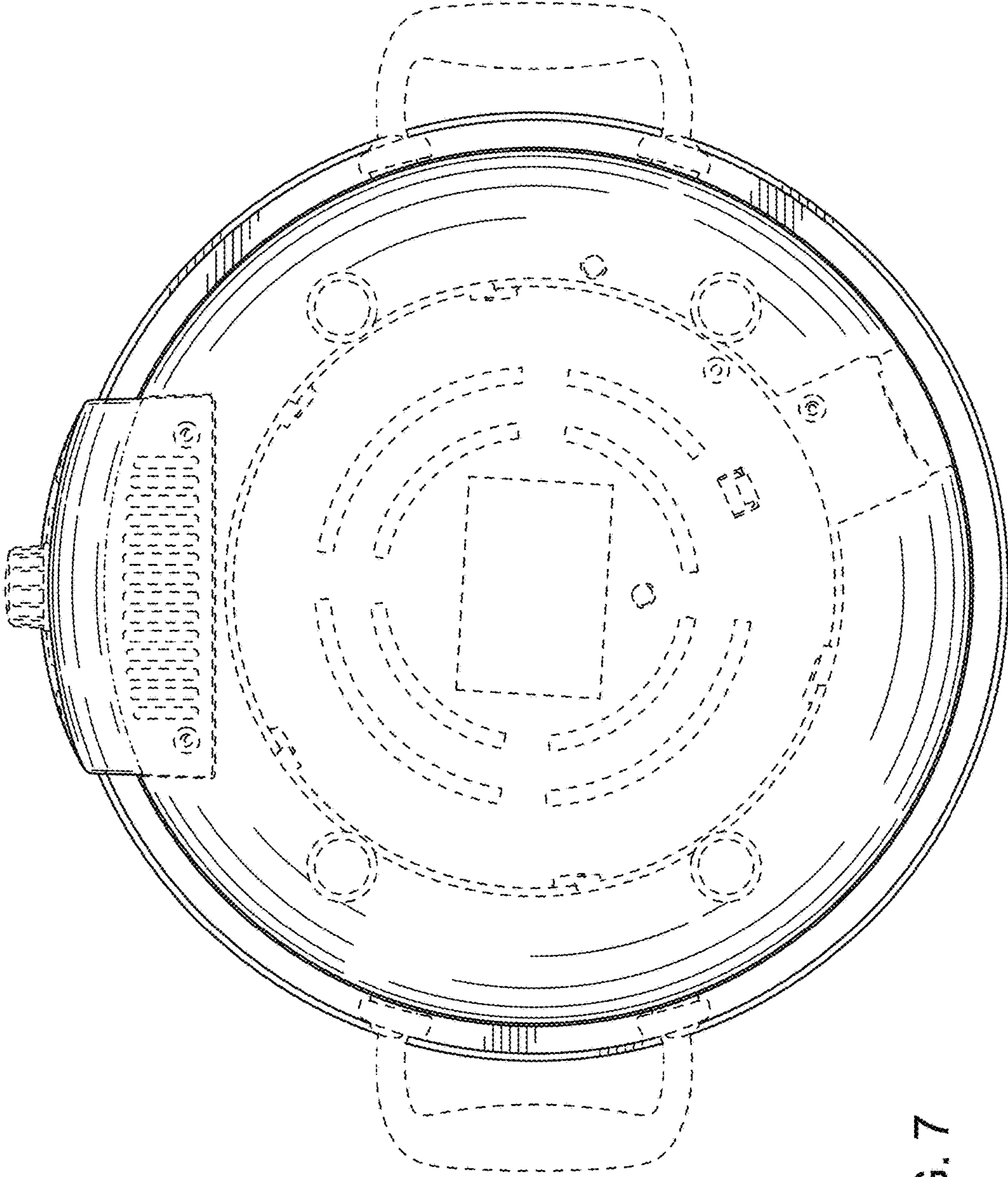


FIG. 7