



US00D832023S

(12) **United States Design Patent**
Barberi et al.

(10) **Patent No.: US D832,023 S**

(45) **Date of Patent: ** *Oct. 30, 2018**

(54) **CIRCULAR GRILL PAN**

(71) Applicant: **Meyer Intellectual Properties Ltd.**,
Kowloon, Hong Kong (CN)

(72) Inventors: **Phillip D Barberi**, San Ramon, CA
(US); **Kwong Wah Lee**, Hong Kong
(CN)

(73) Assignee: **MEYER INTELLECTUAL
PROPERTIES LIMITED (VG)**

(*) Notice: This patent is subject to a terminal dis-
claimer.

(**) Term: **15 Years**

(21) Appl. No.: **29/543,640**

(22) Filed: **Oct. 27, 2015**

(51) **LOC (11) Cl.** **07-02**

(52) **U.S. Cl.**
USPC **D7/354**

(58) **Field of Classification Search**
USPC D7/323, 354–363, 391, 393–396, 402,
D7/409–410; D29/119; D99/34
CPC A47G 19/12; A47J 27/00; A47J 27/002;
A47J 27/022; A47J 27/08; A47J 27/21;
A47J 27/58; A47J 36/025; A47J 36/06;
A47J 36/12; A47J 37/00; A47J 37/10;
A47J 37/101; A47J 37/103; A47J 37/12;
A47J 37/1204; A47J 45/061; A47J
45/071; A47J 45/08; H05B 6/12
See application file for complete search history.

(56) **References Cited**

U.S. PATENT DOCUMENTS

D27,936 S * 12/1897 Schmidt D7/359
D30,175 S * 2/1899 Wagner D7/388
2,085,220 A * 6/1937 Howlett A47J 27/022
126/390.1
D392,152 S * 3/1998 Rae D7/354
D409,878 S * 5/1999 Burton D7/410

D458,796 S * 6/2002 Kellermann D7/360
D517,743 S * 3/2006 Perrin D29/119
D541,486 S * 4/2007 Mahaffey D23/415
D586,612 S * 2/2009 Rae D7/354
D594,270 S * 6/2009 Rae D7/354

(Continued)

Primary Examiner — Ricky Pham

(74) *Attorney, Agent, or Firm* — Edward S. Sherman

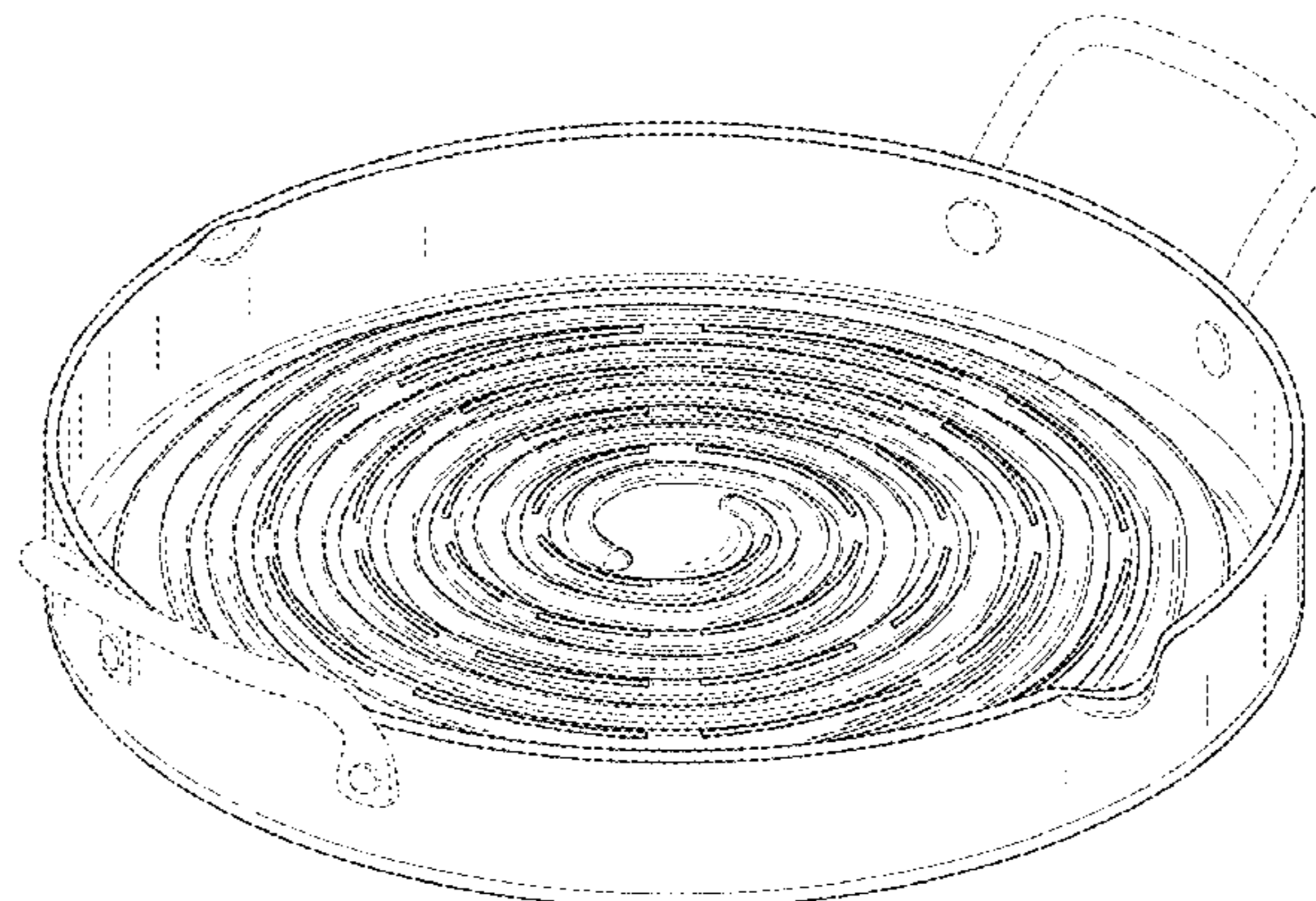
(57) **CLAIM**

The ornamental design for a circular grill pan, as shown and
described.

DESCRIPTION

FIG. 1 is a perspective view of the “circular grill pan”,
showing our new design;
FIG. 2 is a front and back elevation view thereof;
FIG. 3 is a top plan view thereof;
FIG. 4 is a bottom plan view thereof;
FIG. 5 is a right and left side elevation view thereof;
FIG. 6 is a cross-sectional elevation view thereof taken at
section line 6-6 in FIG. 3;
FIG. 7 is an enlarged fragmentary cross-sectional elevation
view of the encircled portion labeled as “7” in FIG. 6; and,
FIG. 8 is an enlarged fragmentary cross-sectional elevation
view of the encircled portion labeled as “8” in FIG. 6.
The broken lines in FIGS. 1-5 are for illustrative purposes
only, depicting the environment of the new design, forming
no part thereof as claimed.
FIG. 6-8 are provided without the surface shading to further
illustrate surface curvature of the claimed portion of the
design in FIG. 1-5 and portions of the claimed design that
are not visible in FIG. 1-5. The dashed lines in FIGS. 7 and
8 are hidden lines to indicate edges of the claimed designs
not visible in the location of the dashed line 6-6 that defines
the section cutting plane.
The surface shading in FIG. 1-5 do not represent color.

1 Claim, 6 Drawing Sheets



(56)

References Cited

U.S. PATENT DOCUMENTS

D627,193 S * 11/2010 Marin D7/354
D777,506 S * 1/2017 Mirchandani D7/354
2010/0206884 A1* 8/2010 Tunstall A47J 27/022
220/573.1

* cited by examiner

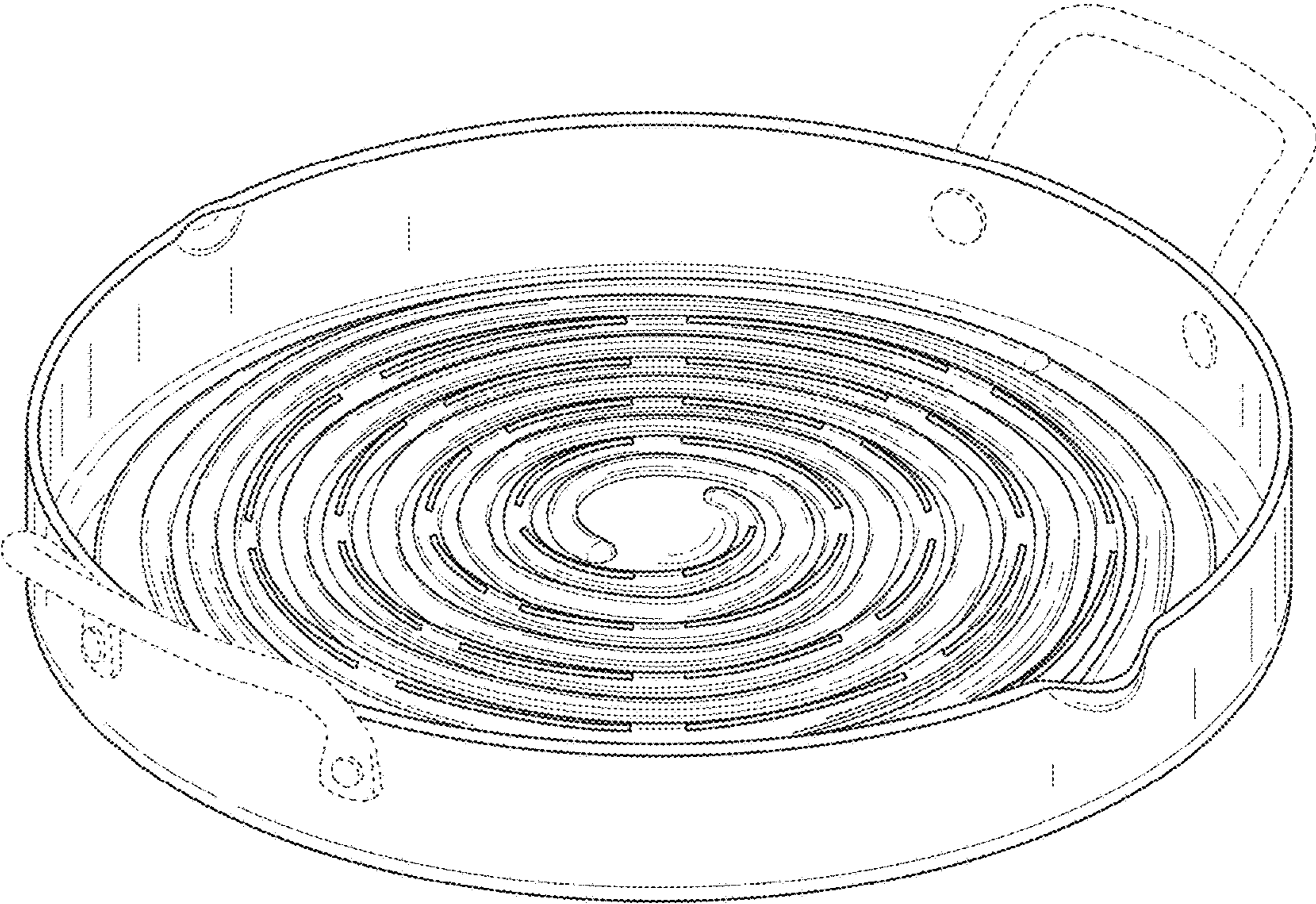


FIG. 1

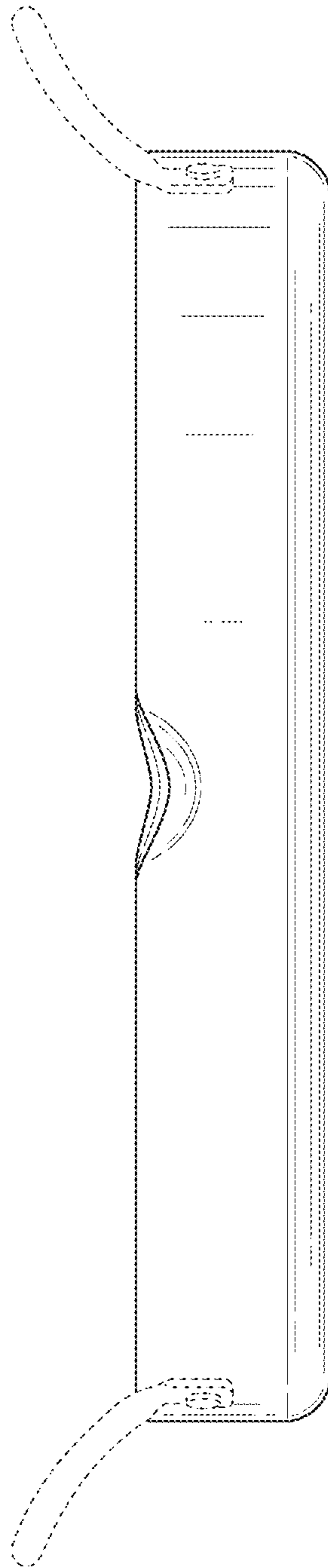


FIG. 2

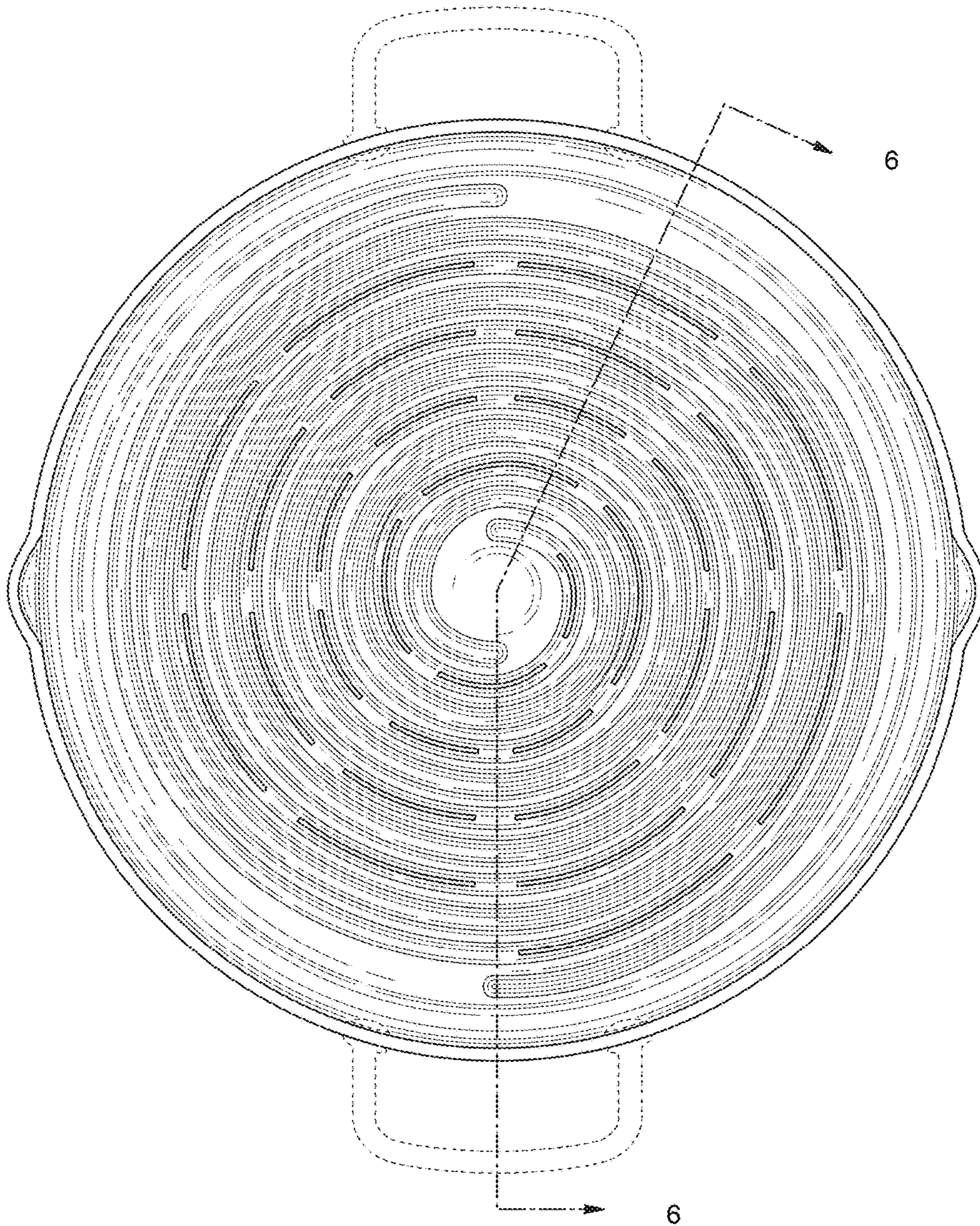


FIG. 3

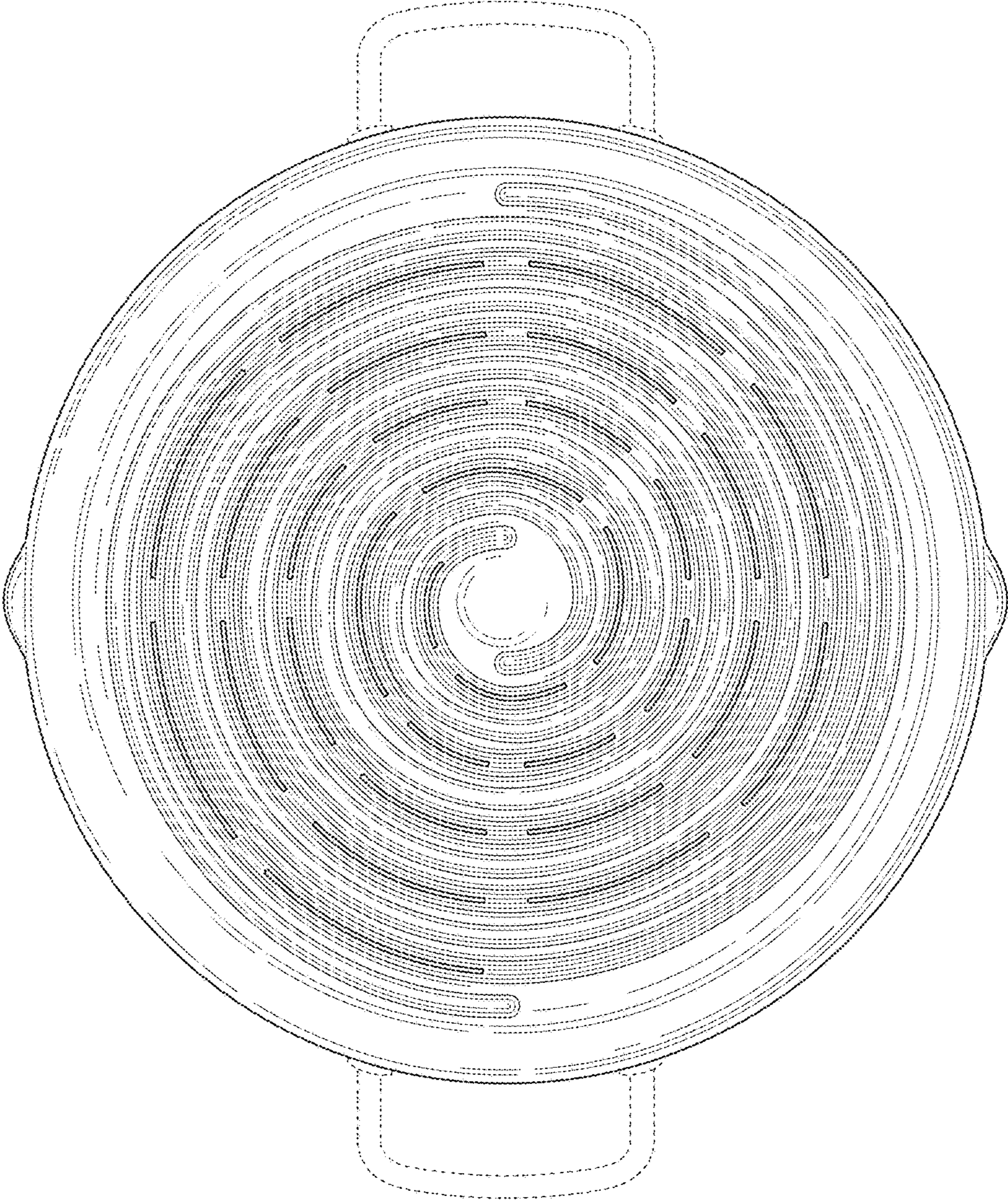


FIG. 4

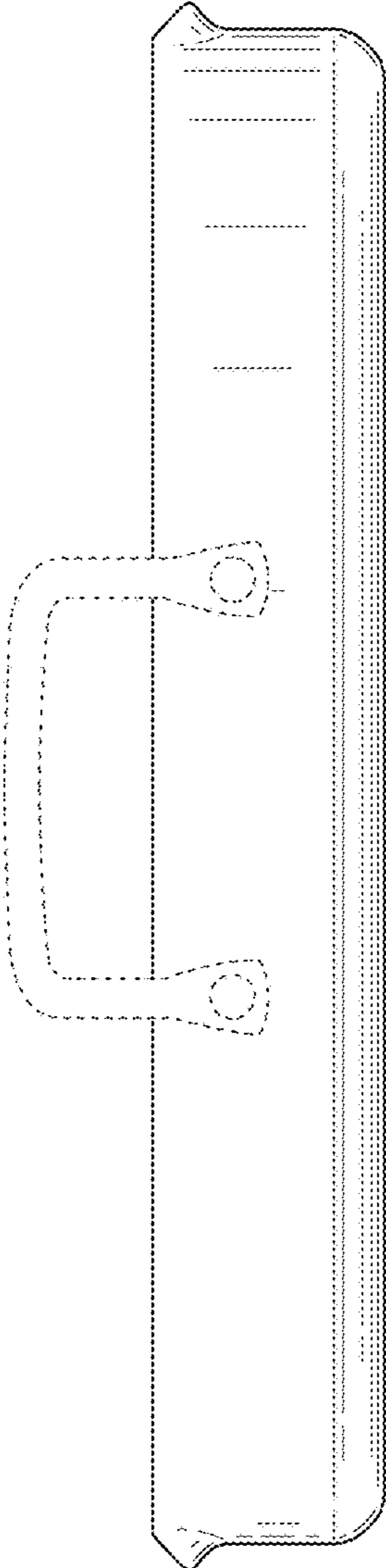


FIG. 5

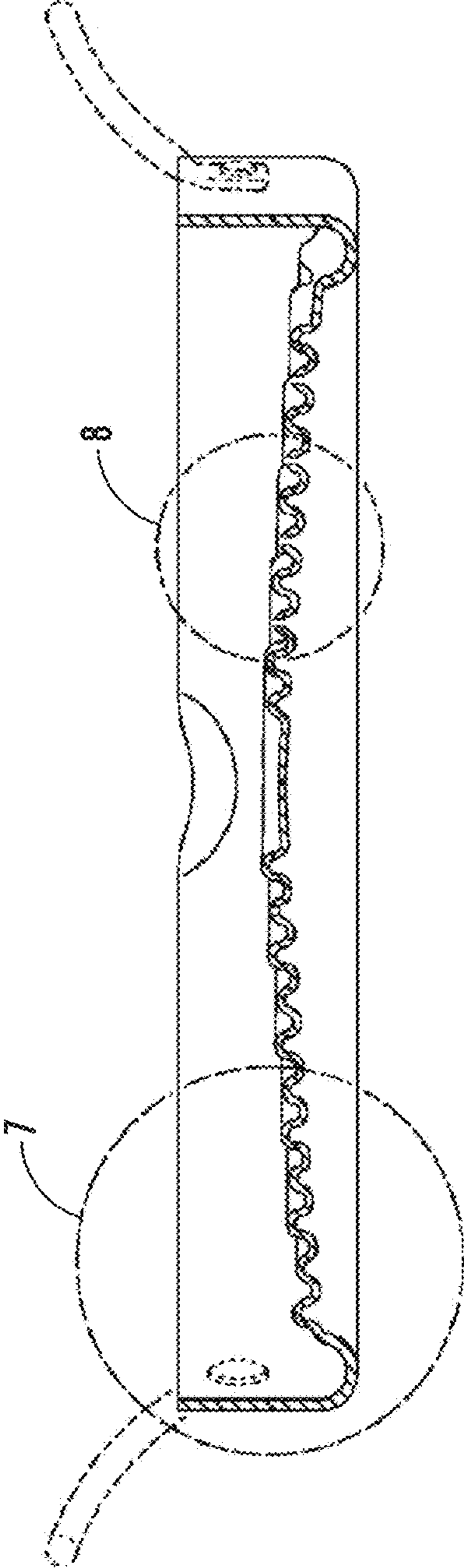


FIG. 6

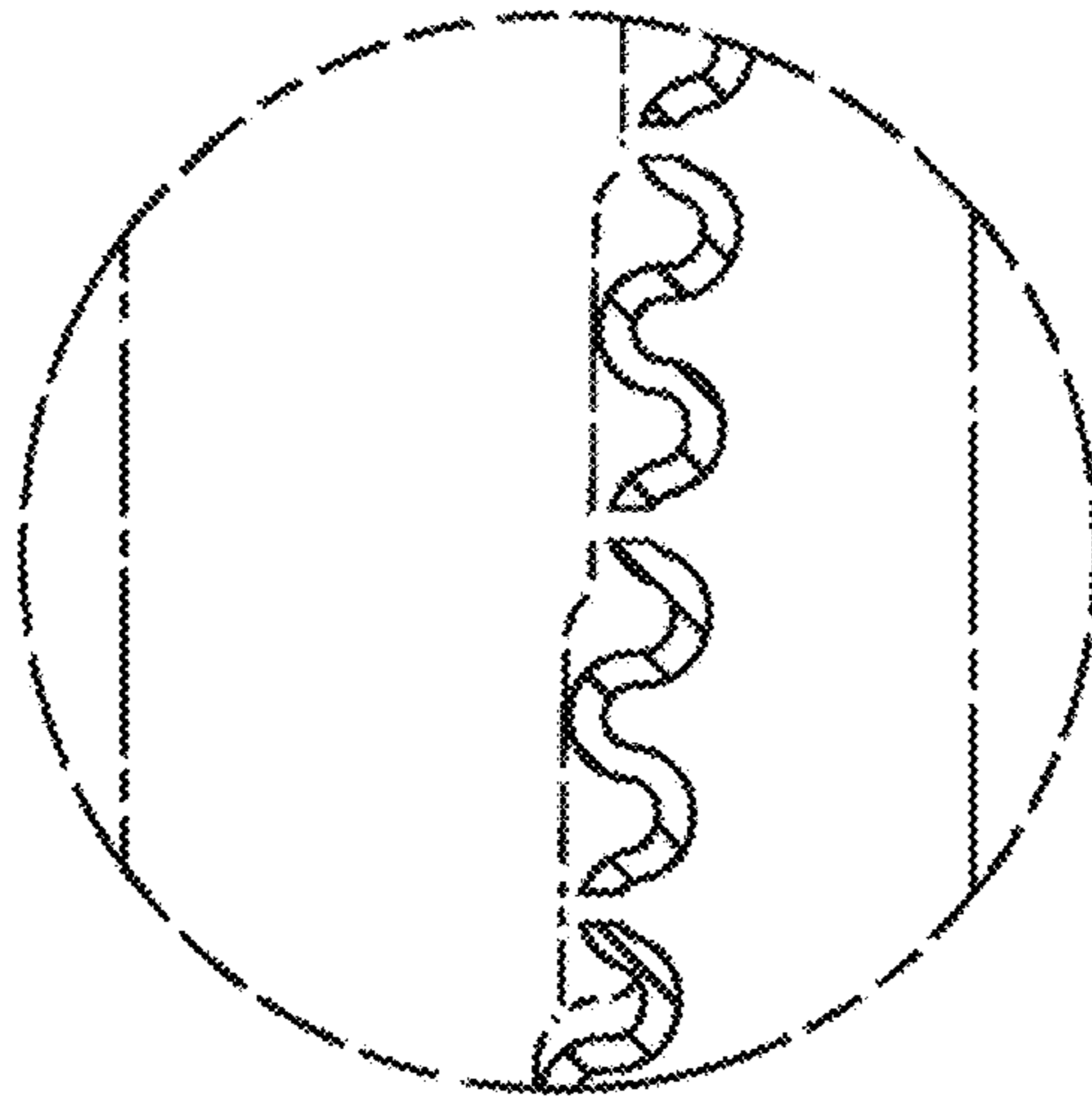


FIG. 8

FIG. 7

