



US00D832021S

(12) **United States Design Patent** (10) **Patent No.:** **US D832,021 S**  
**Yoon** (45) **Date of Patent:** **\*\* Oct. 30, 2018**

(54) **HOT AND COLD WATER PURIFIER**

(71) Applicant: **WINIX INC.**, Siheung-si, Gyeonggi-do (KR)

(72) Inventor: **Chul Min Yoon**, Siheung-si (KR)

(73) Assignee: **WINIX INC.**, Siheung-si (KR)

(\*\*) Term: **15 Years**

(21) Appl. No.: **29/569,409**

(22) Filed: **Jun. 27, 2016**

(30) **Foreign Application Priority Data**

Mar. 29, 2016 (KR) ..... 30-2016-0014537

(51) **LOC (11) Cl.** ..... **07-01**

(52) **U.S. Cl.**  
USPC ..... **D7/313**; D7/311; D7/307; D7/308;  
D23/207

(58) **Field of Classification Search**  
USPC ..... D7/305-311, 313, 300; D15/82;  
222/129.1, 146.6; 99/295; D23/207  
CPC ... C02F 1/008; B67D 1/36; B67D 2210/0065;  
B67D 1/0864; B67D 1/0009; B67D  
3/0061; A47J 31/46; A47J 31/4482; A47J  
31/369; A47J 31/407; A47J 31/10; A47J  
31/467; A47J 31/0615; A47J 31/32  
See application file for complete search history.

(56) **References Cited**

U.S. PATENT DOCUMENTS

5,855,779 A \* 1/1999 Lee ..... B67D 3/0009  
210/232  
D644,712 S \* 9/2011 Seo ..... D23/207  
D660,636 S \* 5/2012 Wang ..... D7/306

D663,154 S \* 7/2012 Wang ..... D7/307  
D700,795 S \* 3/2014 Yui ..... D7/305  
D703,476 S \* 4/2014 Behar ..... D7/306  
D710,643 S \* 8/2014 Broen ..... D7/306  
D714,580 S \* 10/2014 Moon ..... D7/307  
D717,911 S \* 11/2014 Moon ..... D23/207  
D758,120 S \* 6/2016 Garman ..... D7/306  
D759,194 S \* 6/2016 Wei ..... D23/207  
D773,876 S \* 12/2016 Harris, III ..... D7/307  
D790,898 S \* 7/2017 Taubman ..... D7/305  
D795,629 S \* 8/2017 Ullman ..... D7/306  
D799,255 S \* 10/2017 Ullman ..... D7/306  
D805,601 S \* 12/2017 Roh ..... D23/207  
D813,346 S \* 3/2018 Lee ..... D23/207  
2012/0222999 A1 \* 9/2012 Ha ..... C02F 1/008  
210/175  
2017/0057802 A1 \* 3/2017 Lee ..... B67D 1/0085

\* cited by examiner

*Primary Examiner* — Marianne Pandozzi

(74) *Attorney, Agent, or Firm* — Lewis Roca Rothgerber  
Christie LLP

(57) **CLAIM**

The ornamental design for a hot and cold water purifier, as shown and described.

**DESCRIPTION**

FIG. 1 is a perspective view of my new design;  
FIG. 2 is a front view thereof;  
FIG. 3 is a rear view thereof;  
FIG. 4 is a left-side view thereof;  
FIG. 5 is a right-side view thereof;  
FIG. 6 is a top view thereof; and,  
FIG. 7 is a bottom view thereof.  
The broken lines in the drawing depict portions of the hot and cold water purifier that form no part of the claimed design.

**1 Claim, 7 Drawing Sheets**

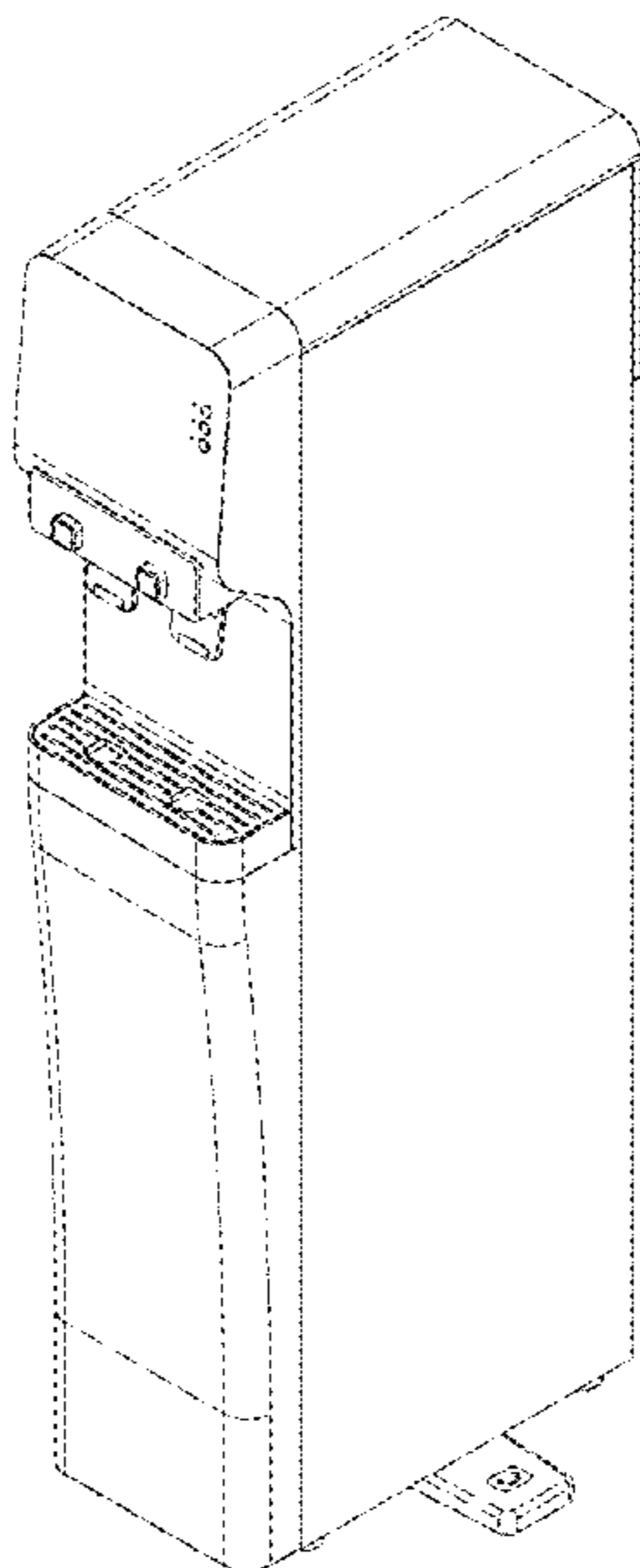


FIG. 1

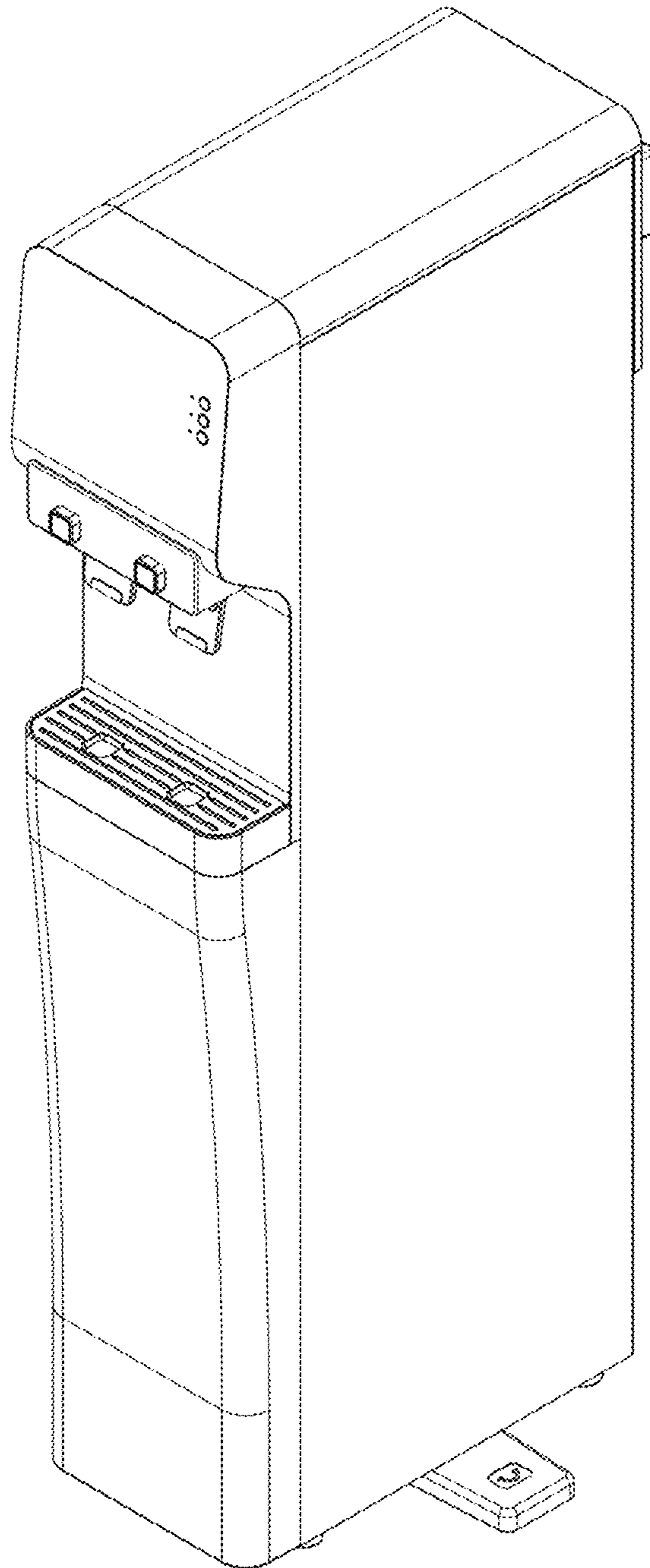


FIG. 2

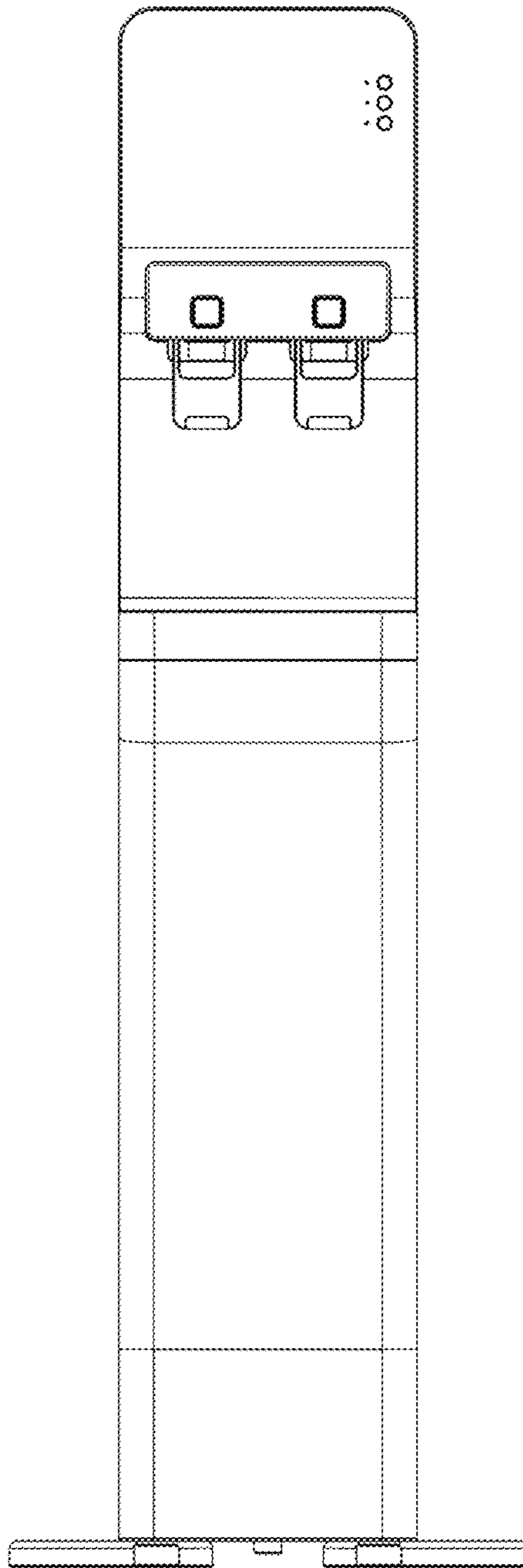


FIG. 3

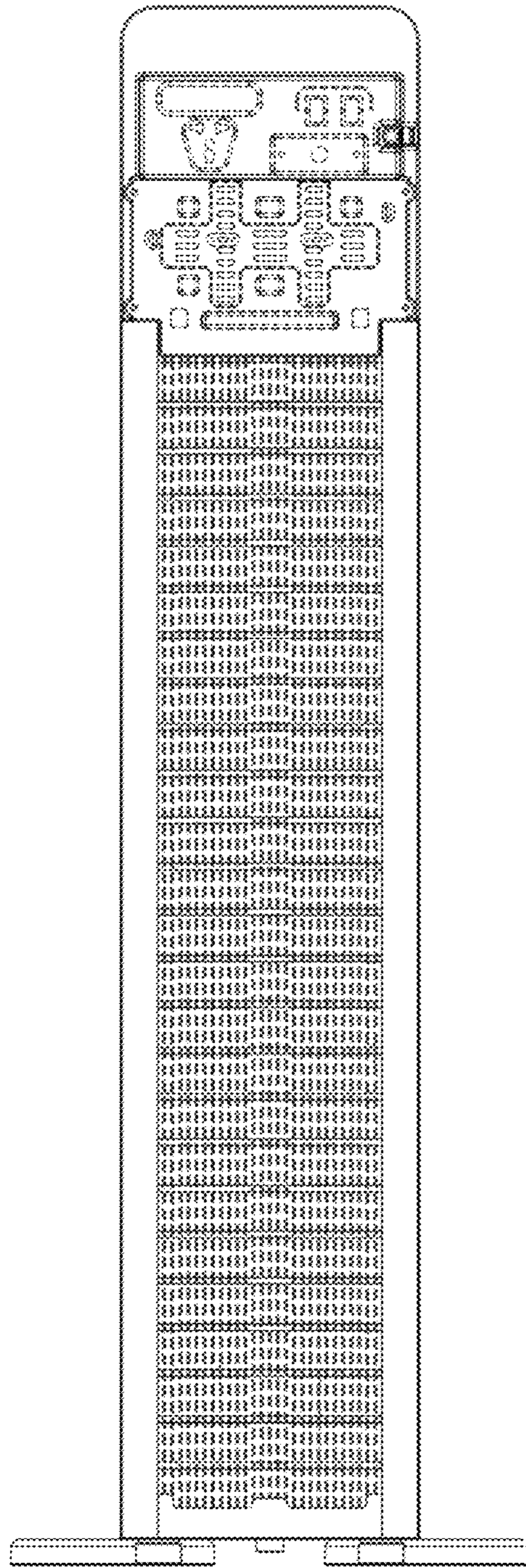


FIG. 4

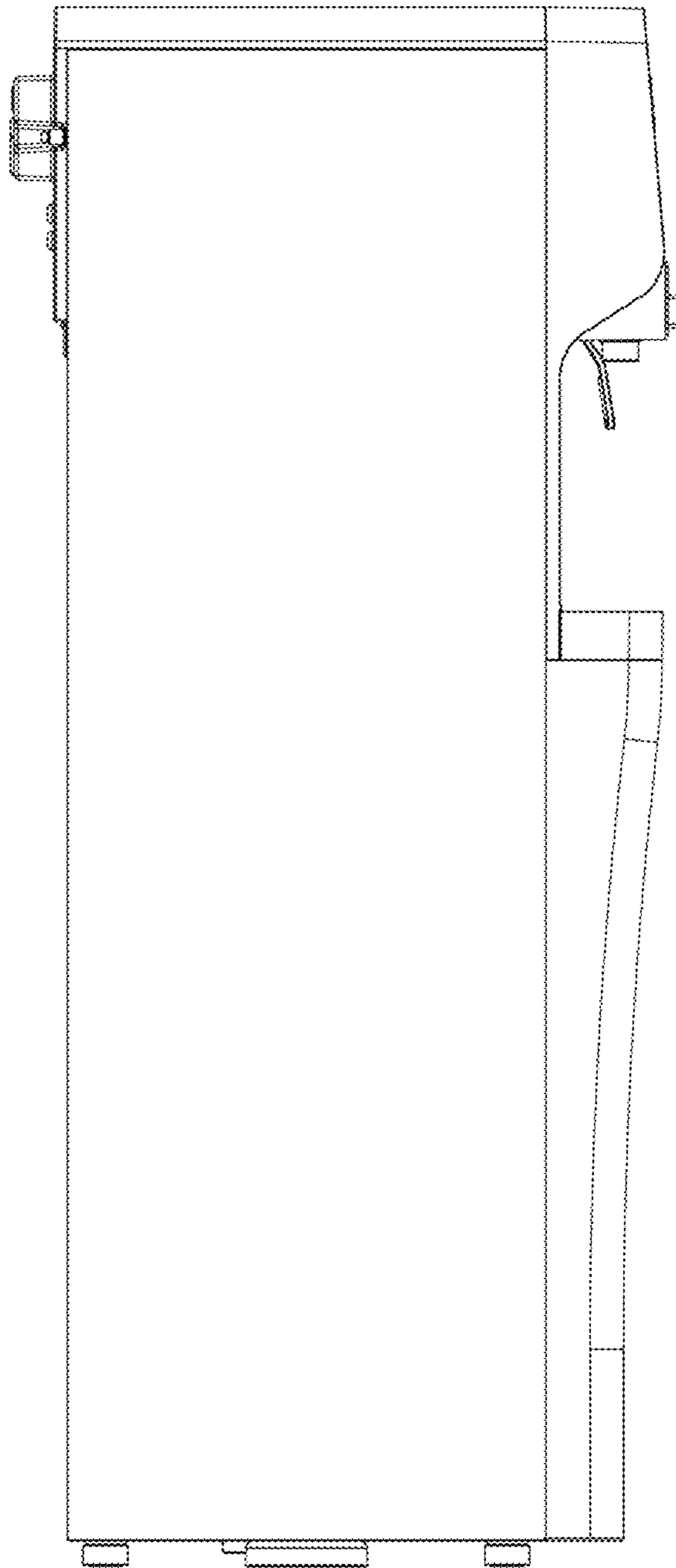


FIG. 5

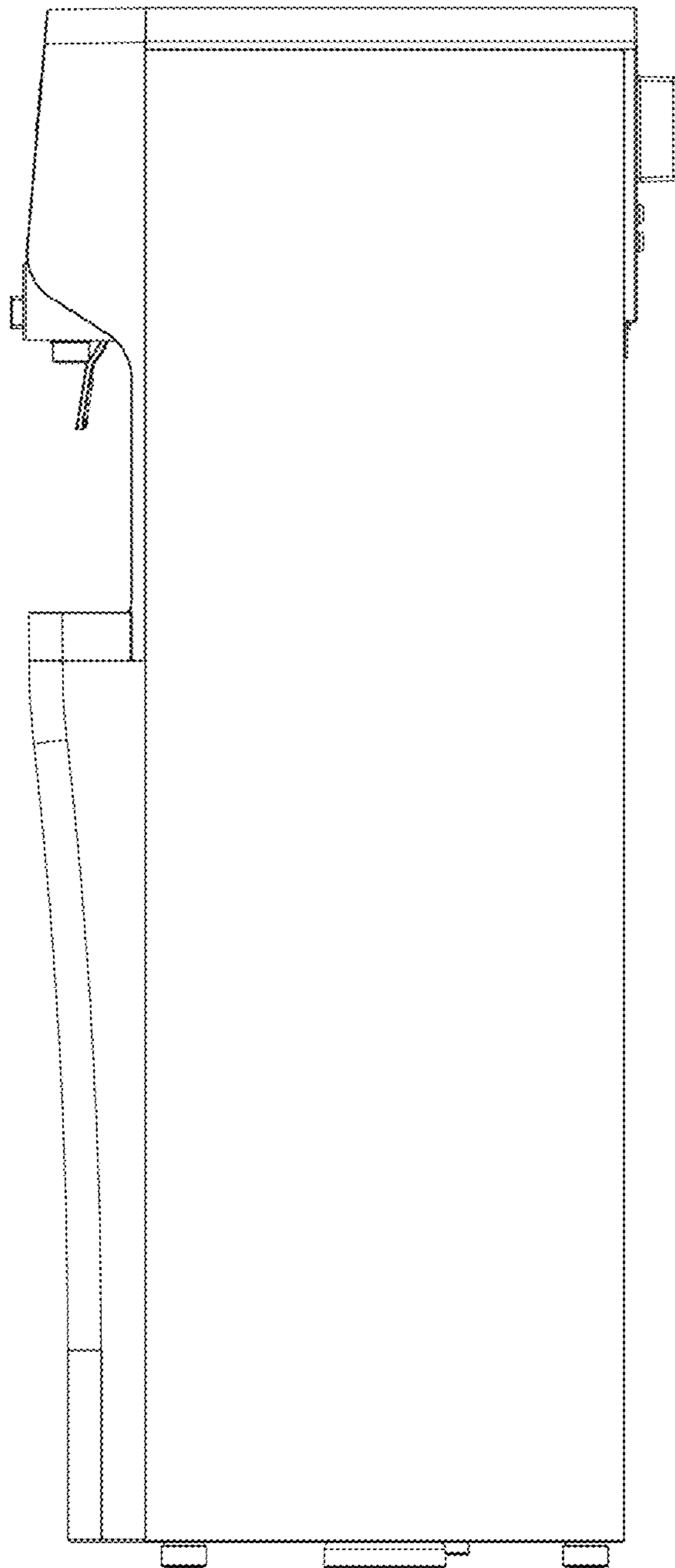


FIG. 6

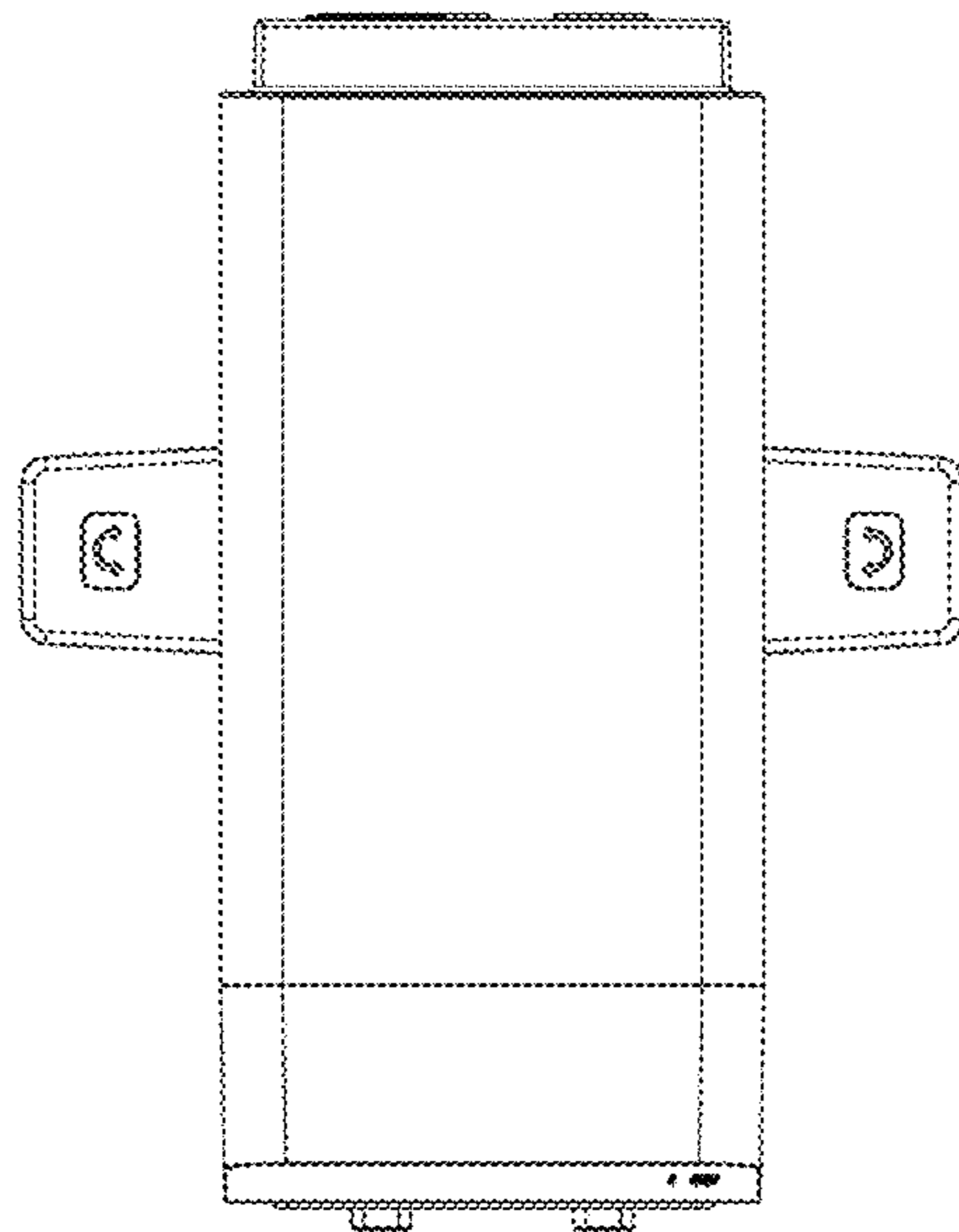


FIG. 7

