



US00D832020S

(12) **United States Design Patent**
Ahola

(10) **Patent No.:** **US D832,020 S**

(45) **Date of Patent:** **** Oct. 30, 2018**

(54) **COFFEE MAKER**

(71) Applicant: **Damon Aaron Ahola**, Brooklyn, NY
(US)

(72) Inventor: **Damon Aaron Ahola**, Brooklyn, NY
(US)

(73) Assignee: **Damon Aaron Ahola**, Brooklyn, NY
(US)

(**) Term: **15 Years**

(21) Appl. No.: **29/593,714**

(22) Filed: **Feb. 11, 2017**

(51) **LOC (11) Cl.** **07-01**

(52) **U.S. Cl.**
USPC **D7/310**

(58) **Field of Classification Search**
USPC D7/300, 305, 310-312, 397, 399, 400
CPC A47G 19/14; A47J 31/005; A47J 31/10
See application file for complete search history.

(56) **References Cited**

U.S. PATENT DOCUMENTS

D208,032 S * 7/1967 Simpson D7/310
D234,285 S * 2/1975 Wickensberg D7/309

D250,445 S * 12/1978 Braun D7/400
D289,726 S * 5/1987 Greutert D7/310
6,327,965 B1 * 12/2001 Lin Tien A47J 31/02
99/299
D794,375 S * 8/2017 Fukushima D7/309

* cited by examiner

Primary Examiner — Daniel D Bui

Assistant Examiner — Andrew Kerr

(57) **CLAIM**

The ornamental design for a coffee maker, as shown.

DESCRIPTION

FIG. 1 is a perspective front view of a coffee maker, showing my new design;

FIG. 2 is a front elevation view thereof;

FIG. 3 is a right side elevation view thereof, a left side elevation view being a mirror image;

FIG. 4 is a top plan view thereof;

FIG. 5 is a bottom plan view thereof;

FIG. 6 is a perspective exploded view thereof; and,

FIG. 7 is a cross-section view thereof taken along 7-7 of FIG. 4.

The broken lines in FIG. 5 showing a portion of the coffee maker are for the purpose of illustrating environmental structure only and forms no part of the claimed design.

1 Claim, 7 Drawing Sheets

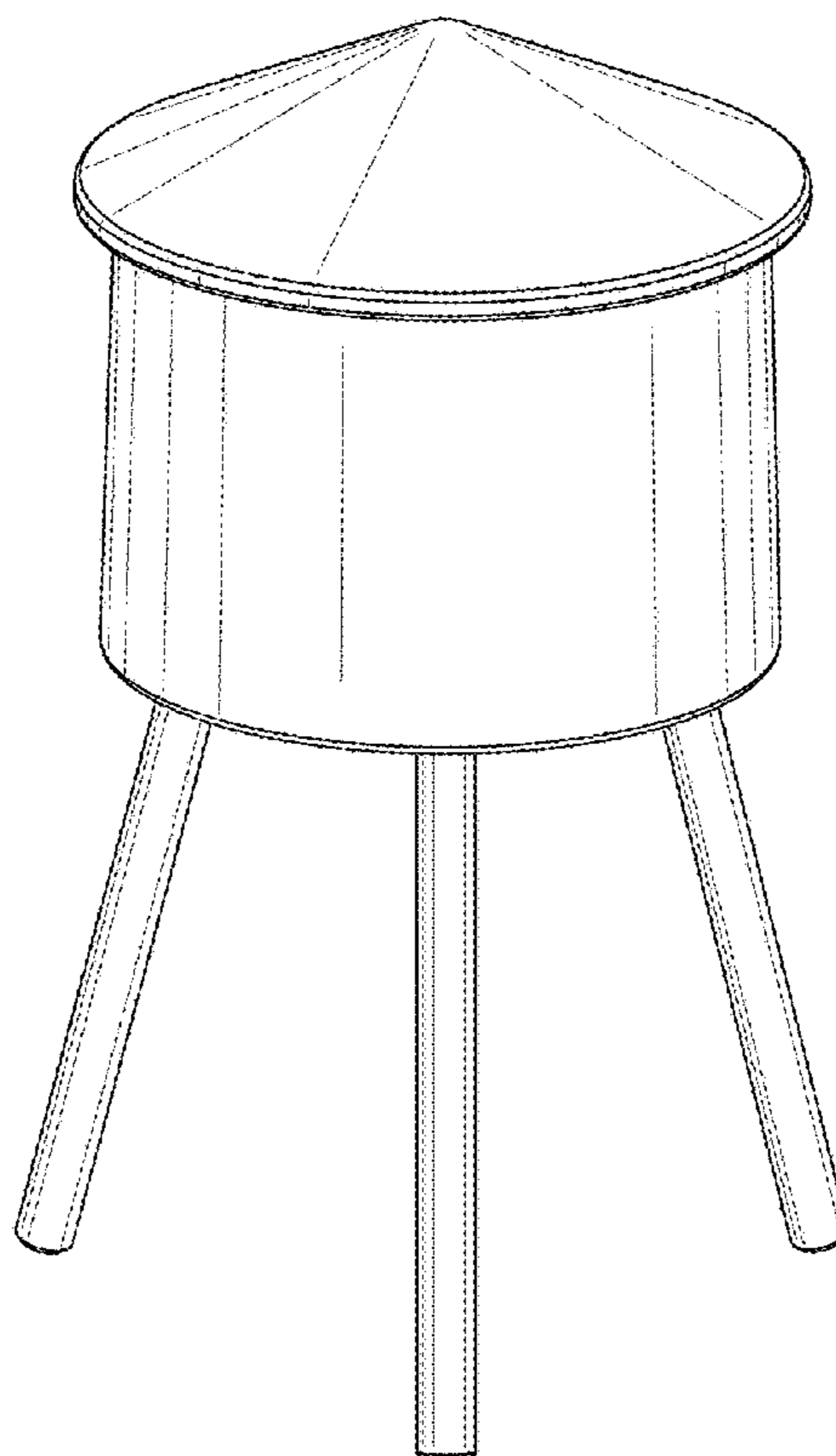


Fig. 1

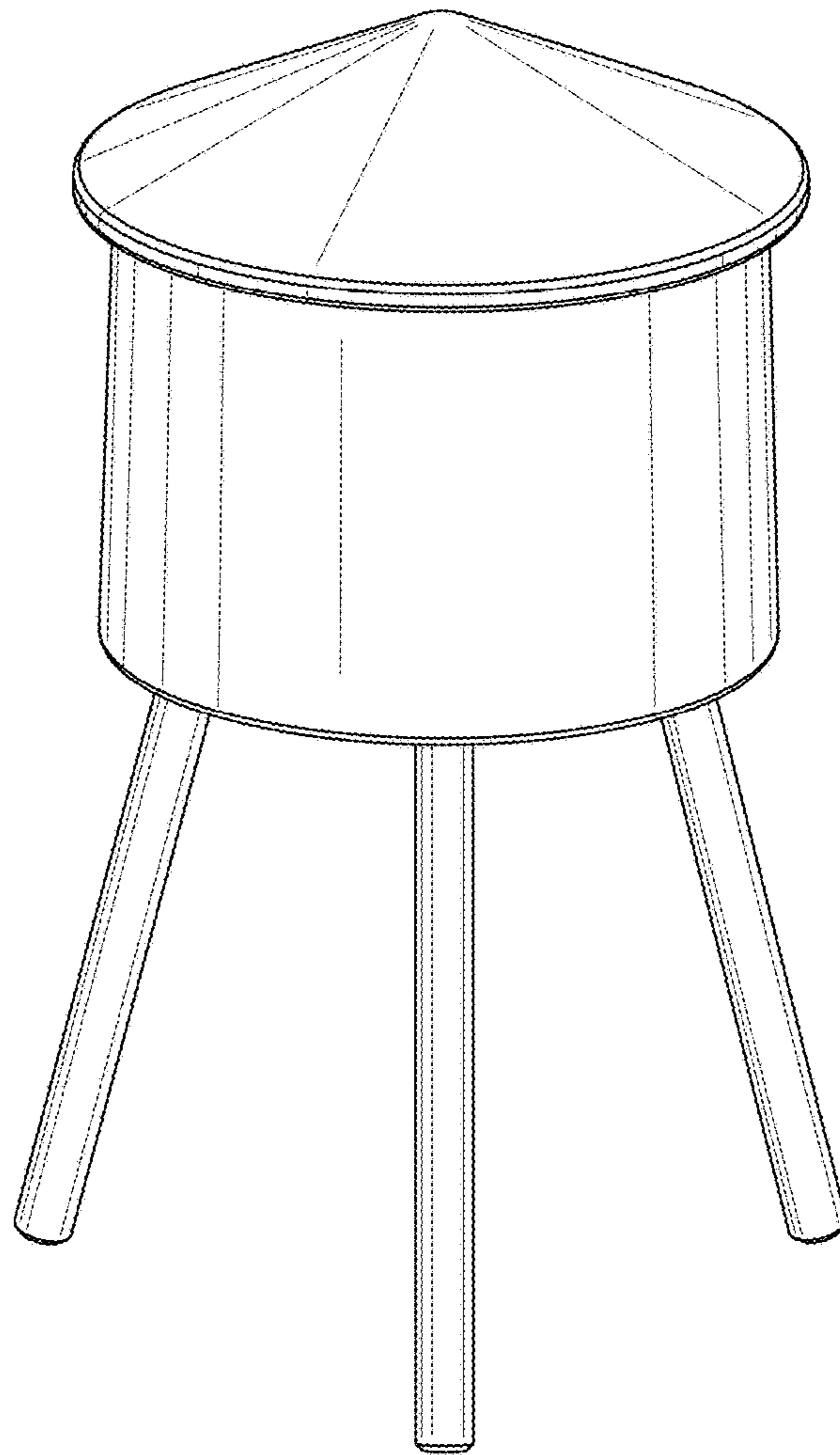


Fig. 2

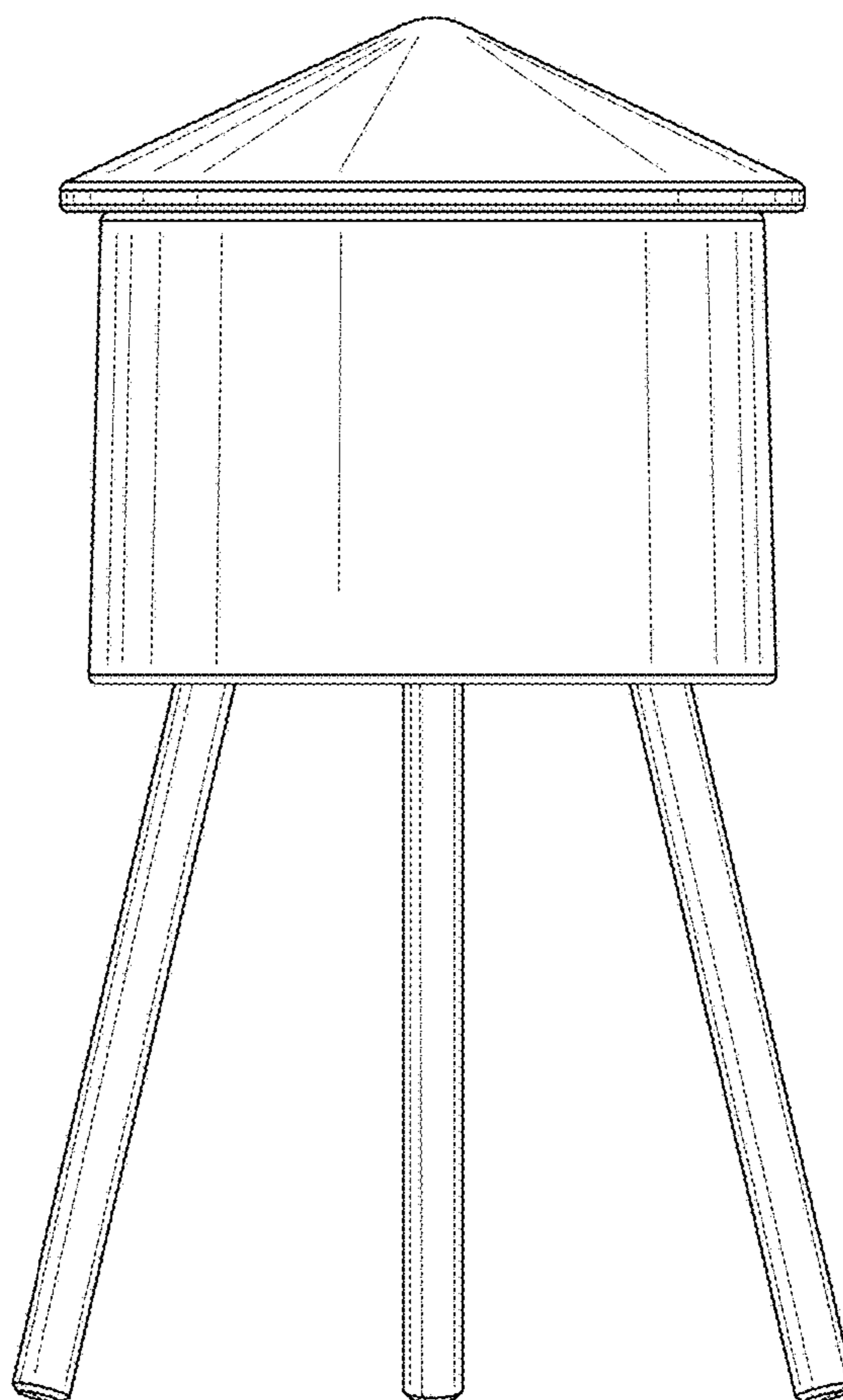


Fig. 3

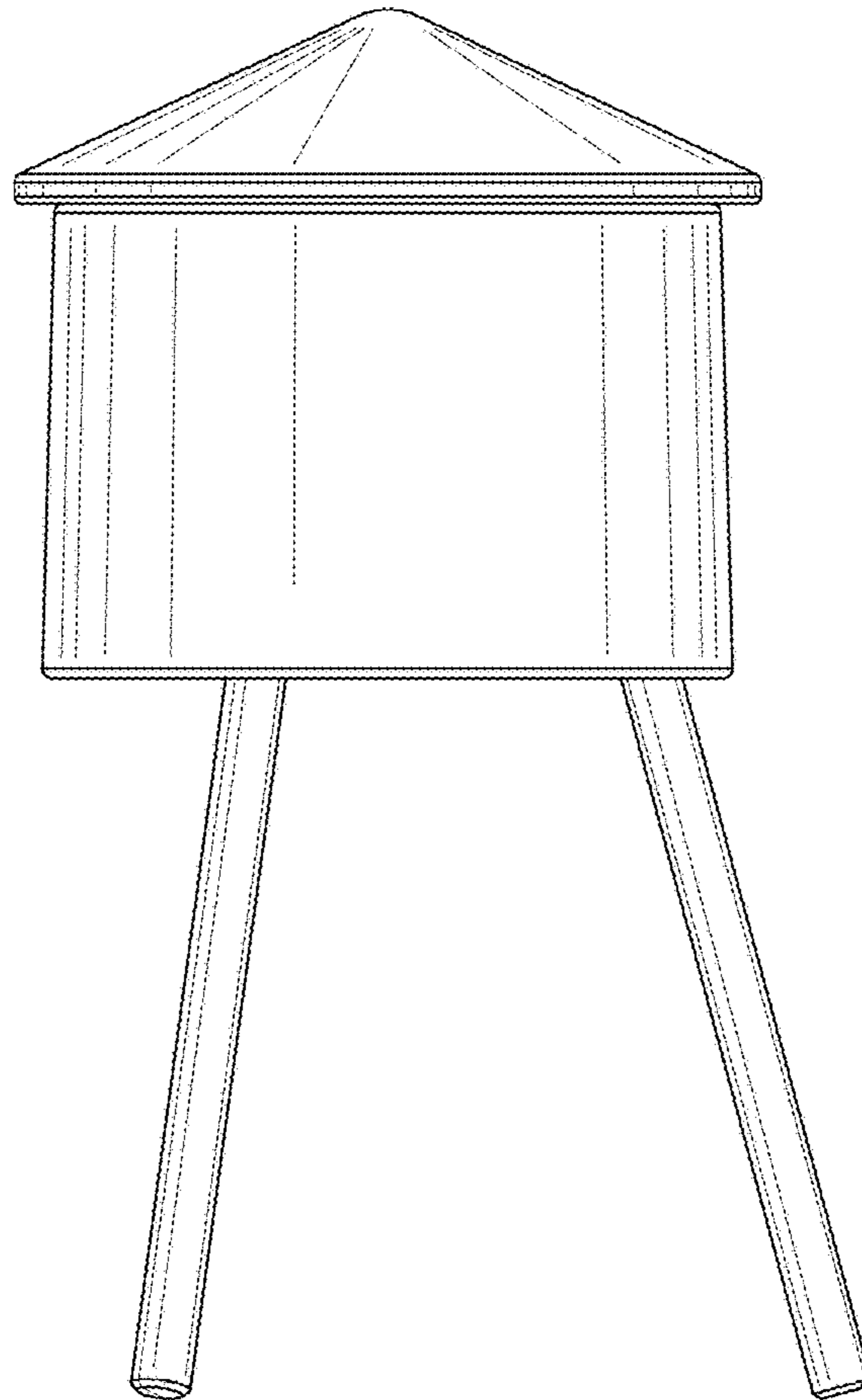


Fig. 4

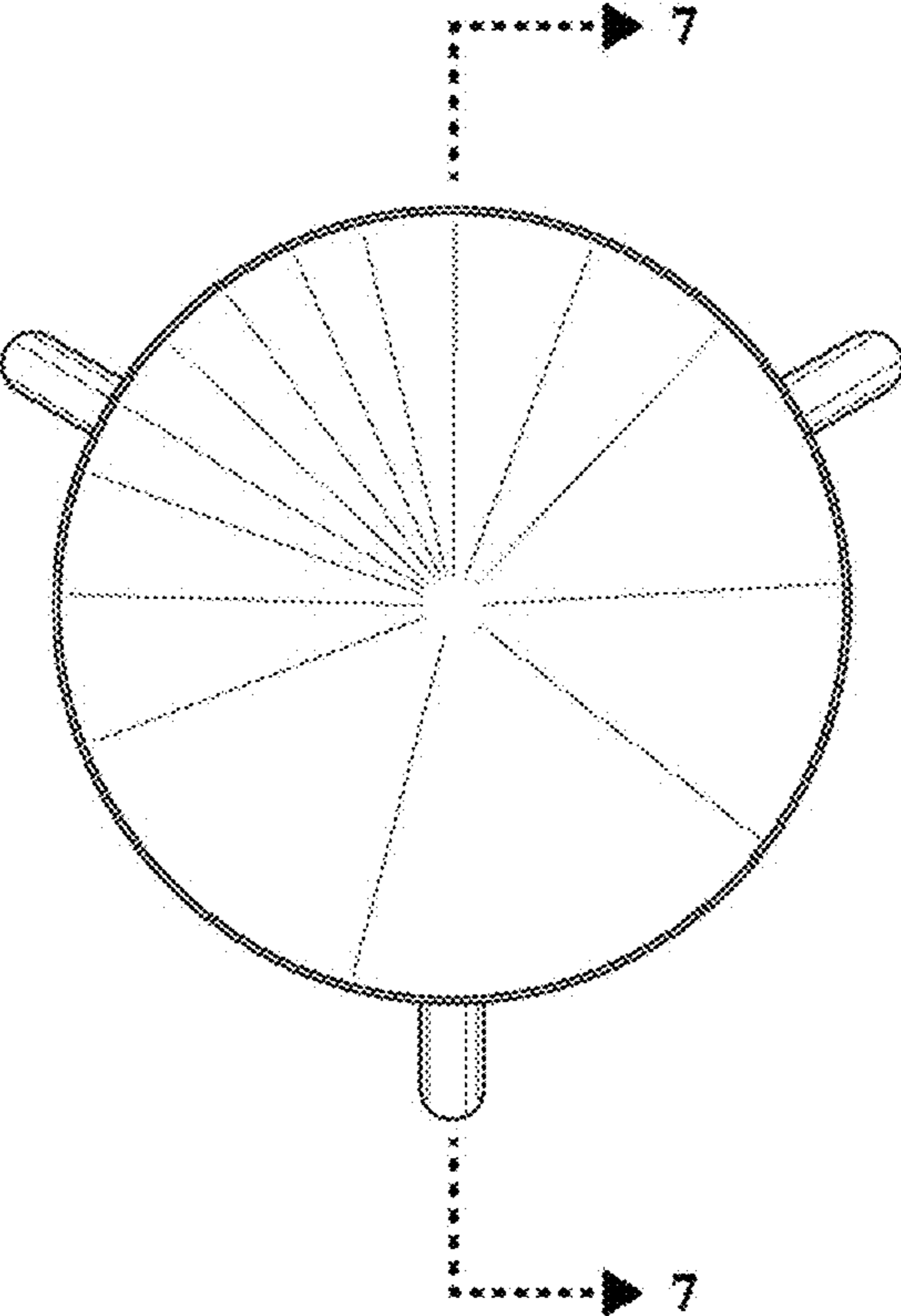


Fig. 5

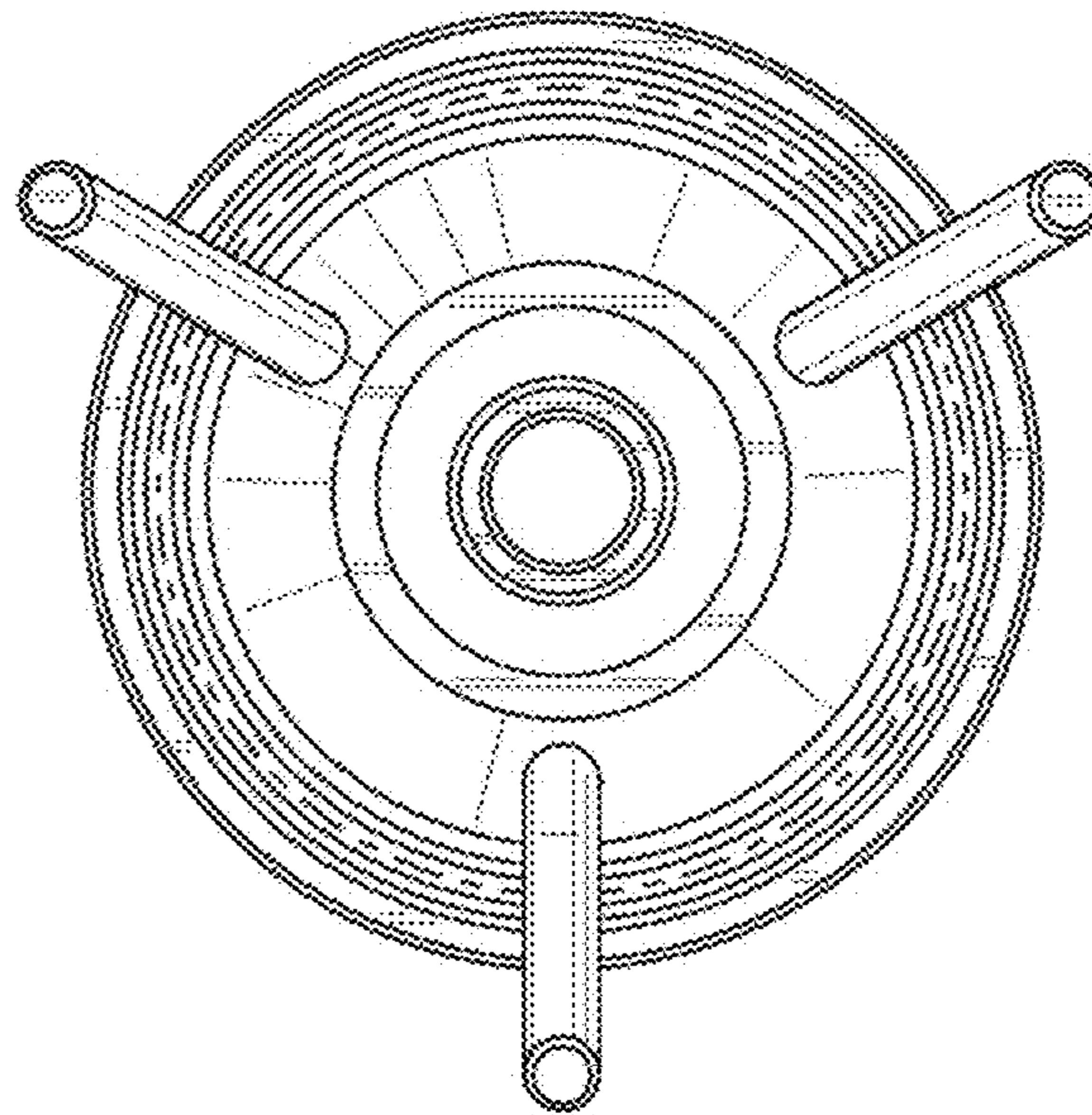


Fig. 6

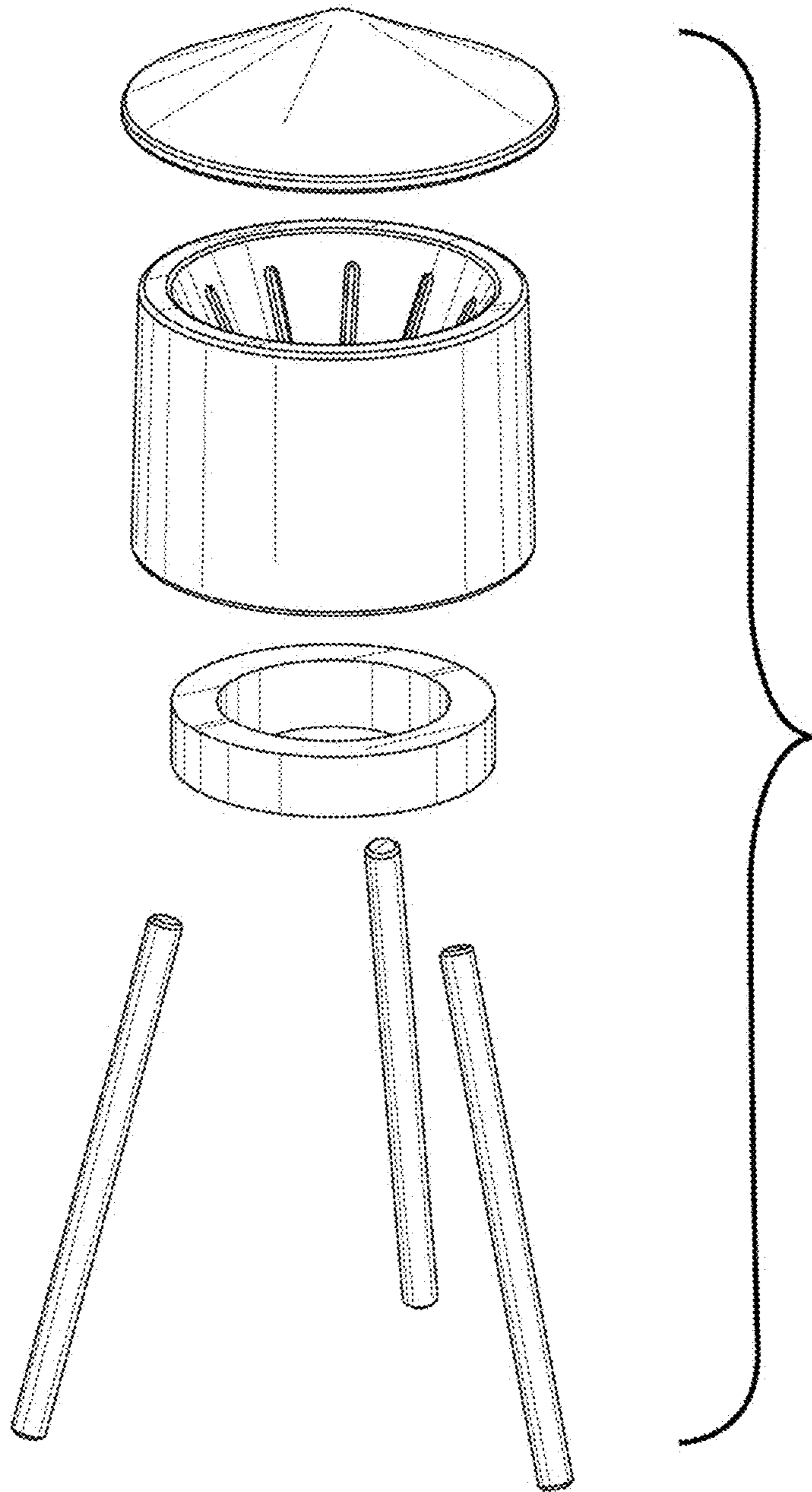


Fig. 7

