

US00D832018S

(12) **United States Design Patent**  
**Cassaday**

(10) **Patent No.:** **US D832,018 S**

(45) **Date of Patent:** **\*\* Oct. 30, 2018**

(54) **CHAIR ARMREST**

(71) Applicant: **Terry Cassaday**, Toronto (CA)

(72) Inventor: **Terry Cassaday**, Toronto (CA)

(\*\*) Term: **15 Years**

(21) Appl. No.: **29/572,534**

(22) Filed: **Jul. 28, 2016**

(51) **LOC (11) Cl.** ..... **06-01**

(52) **U.S. Cl.**  
USPC ..... **D6/716.2**

(58) **Field of Classification Search**  
USPC ..... D6/334-336, 366, 367, 379, 380, 716,  
D6/716.1, 716.2, 716.4  
CPC .... A47C 1/03; A47C 7/02; A47C 7/54; A47C  
7/543; A47C 7/40; A47C 7/16; A47C  
7/022; A47C 7/282  
See application file for complete search history.

(56) **References Cited**

**U.S. PATENT DOCUMENTS**

5,318,347	A	6/1994	Tseng	
5,324,096	A	6/1994	Schultz	
5,997,093	A	12/1999	Gollin et al.	
6,896,333	B1	5/2005	Matern et al.	
D535,505	S *	1/2007	Cai	D6/716.2
D557,950	S *	12/2007	Lu	D6/716.2

D704,944	S *	5/2014	Koepke	D6/366
2008/0073965	A1 *	3/2008	Tsai	A47C 1/03 297/411.36
2015/0130250	A1	5/2015	Masunaga et al.	

**FOREIGN PATENT DOCUMENTS**

CA	1252707	A1	4/1989
CN	204889281	U	12/2015
JP	10113252	A	5/1998

\* cited by examiner

*Primary Examiner* — Mimoso De

(74) *Attorney, Agent, or Firm* — Millman IP, Inc.

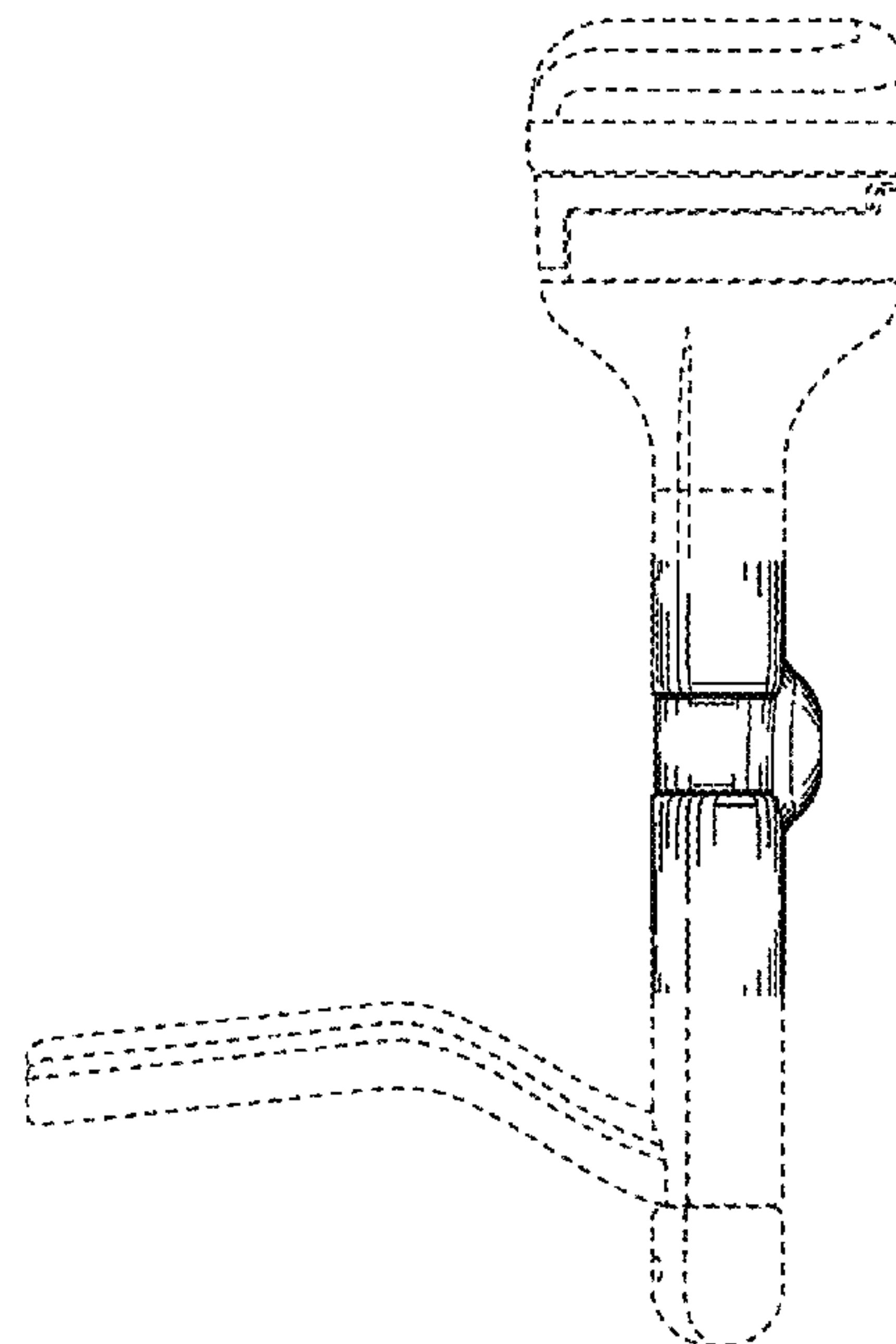
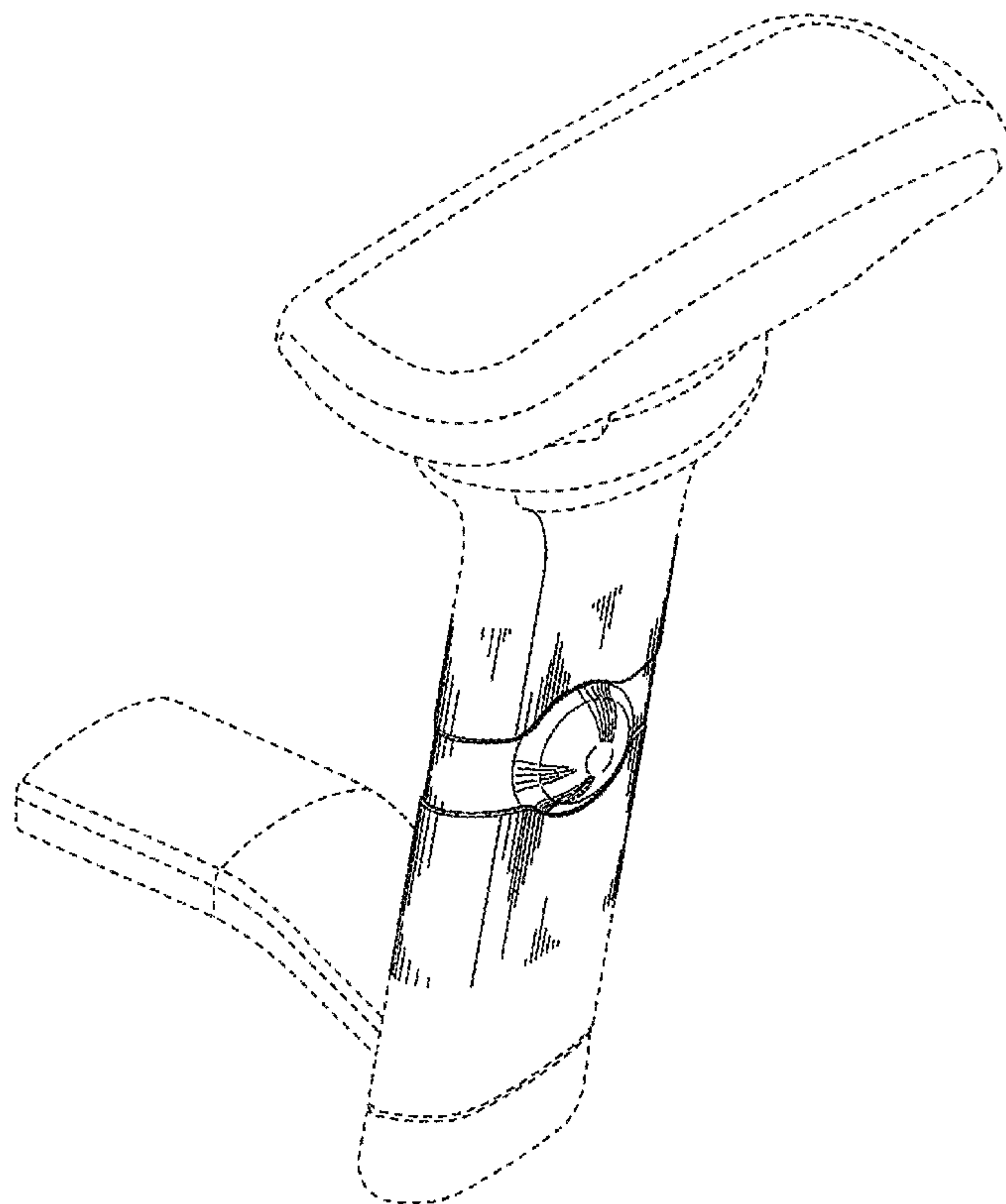
(57) **CLAIM**

The ornamental design for a chair armrest, as shown and described.

**DESCRIPTION**

FIG. 1 is a perspective view from above and to one side of a variant of the new design for a chair armrest; FIG. 2 is a front elevation view thereof; FIG. 3 is a rear side elevation view thereof; FIG. 4 is a left side elevation view thereof; FIG. 5 is a right side elevation view thereof; and, FIG. 6 is a bottom plan view thereof. In the drawings, the broken lines depict environmental subject matter only and form no part of the claimed design.

**1 Claim, 6 Drawing Sheets**



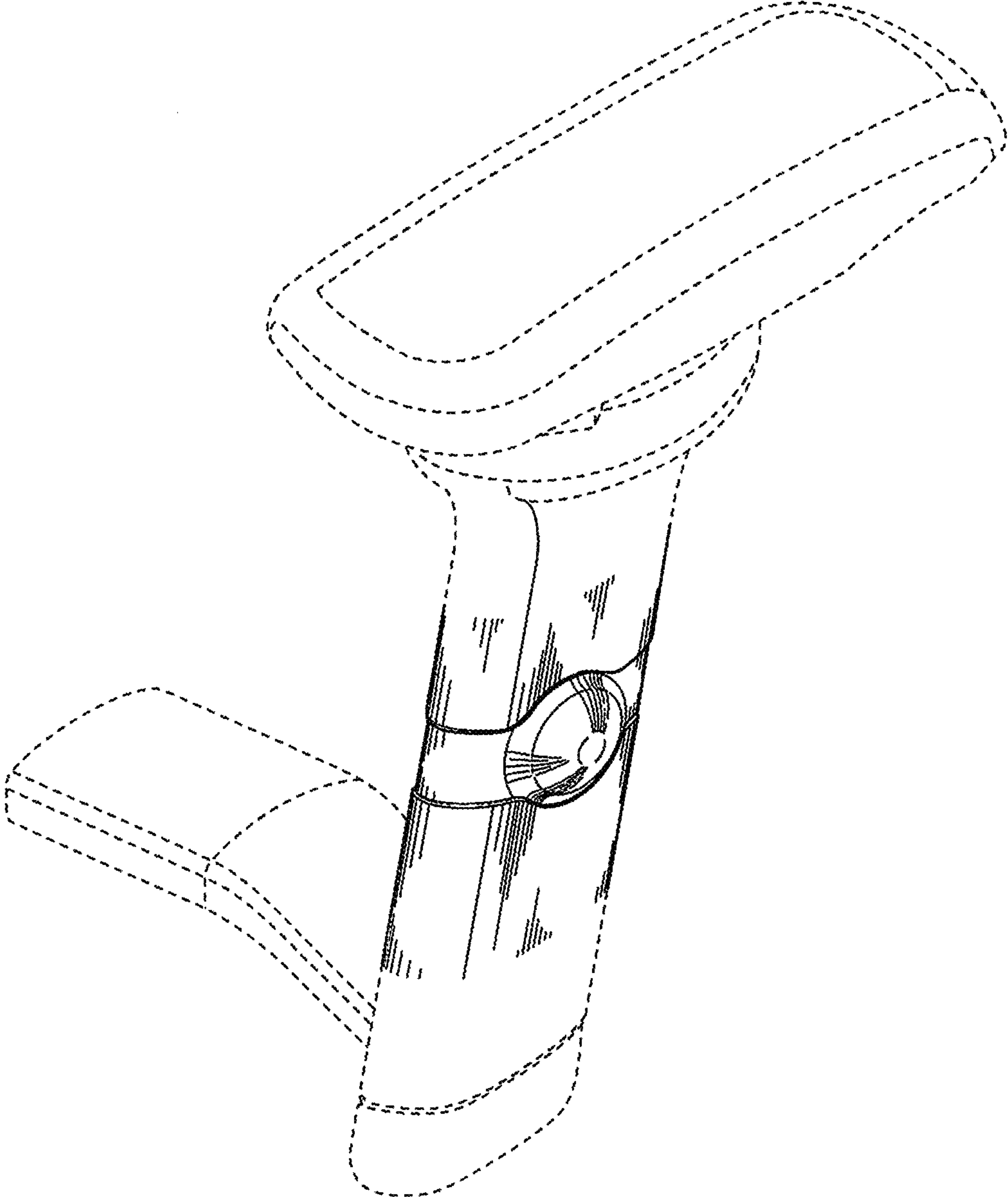


Fig. 1

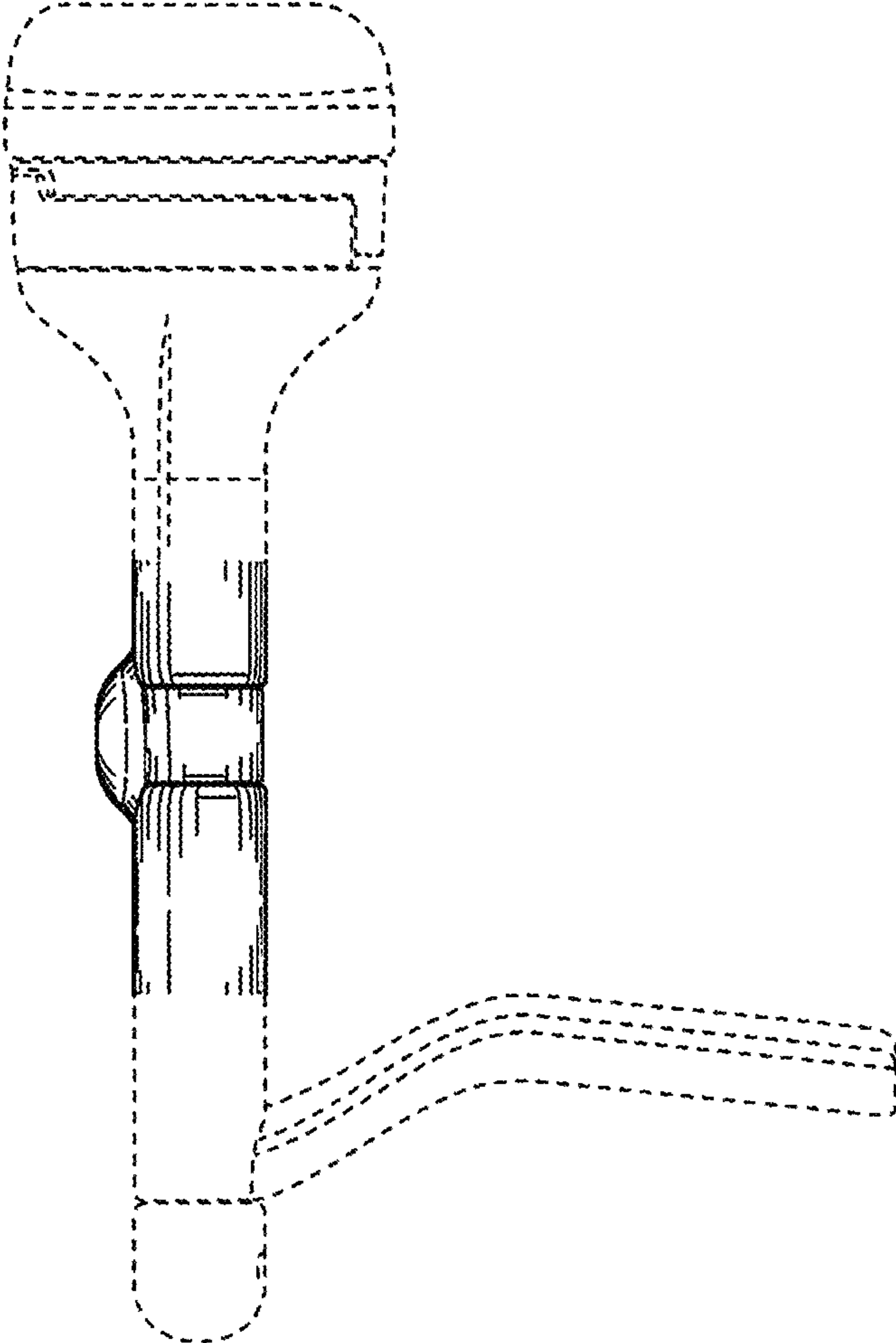


Fig. 2

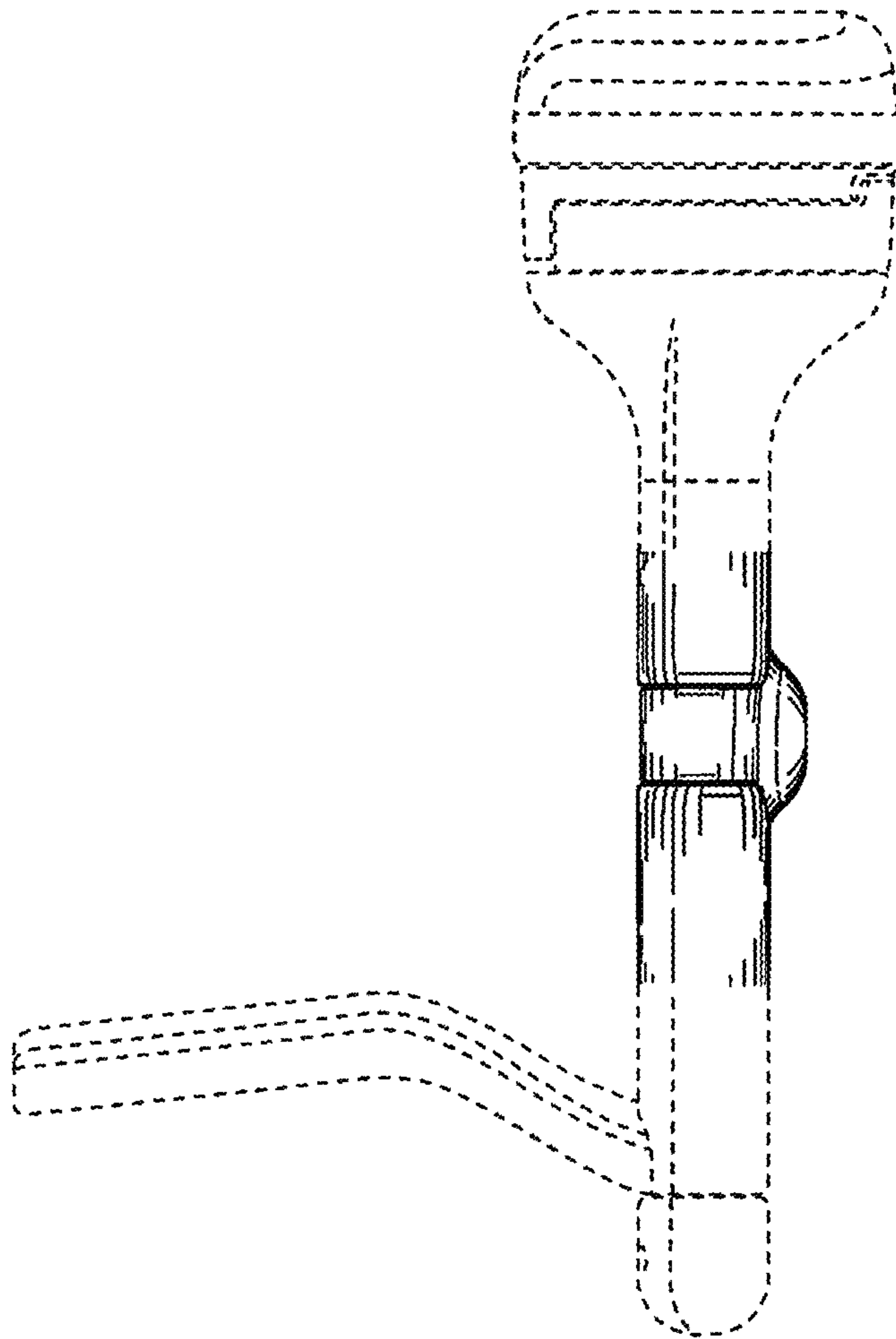


Fig. 3

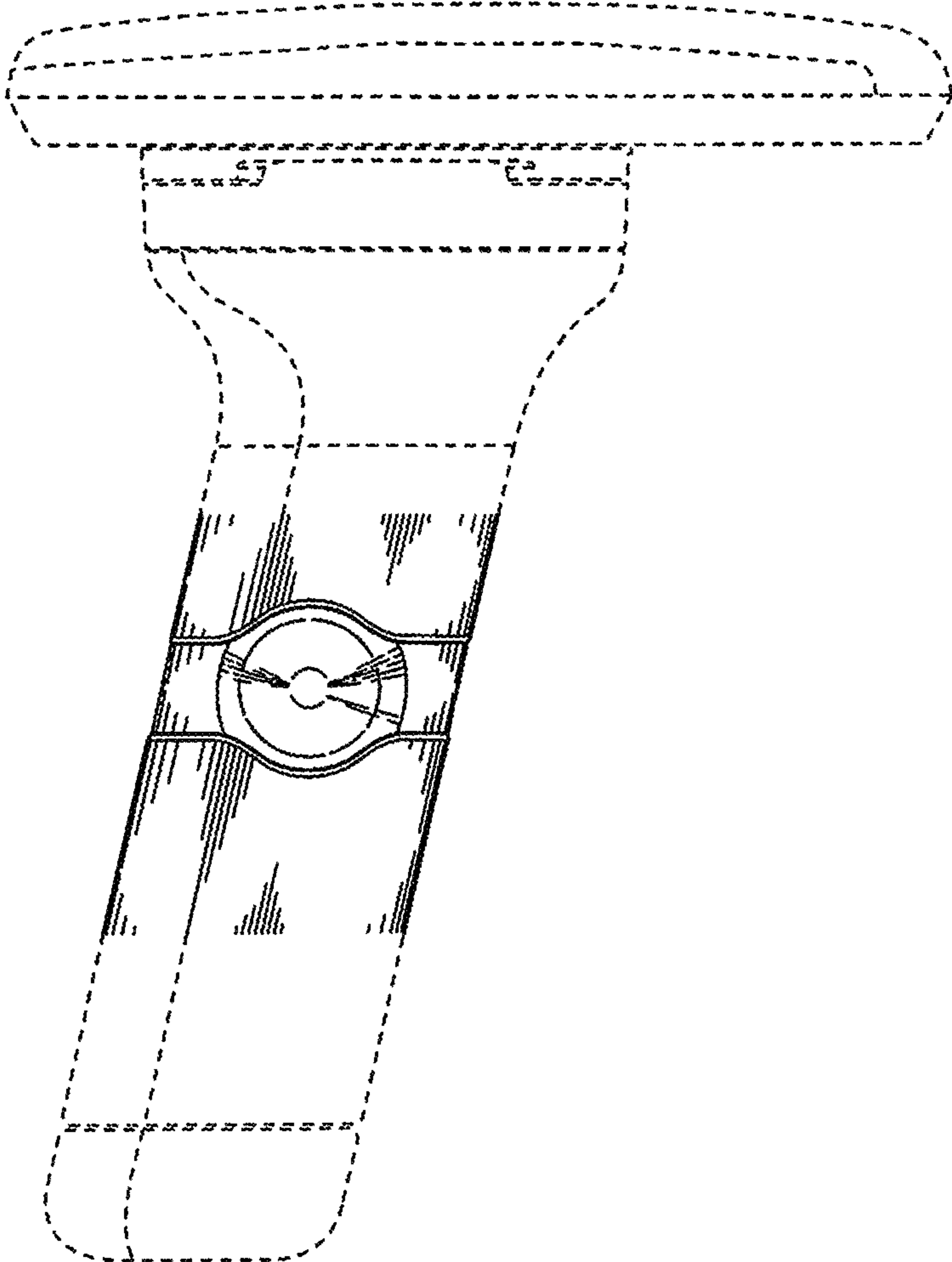
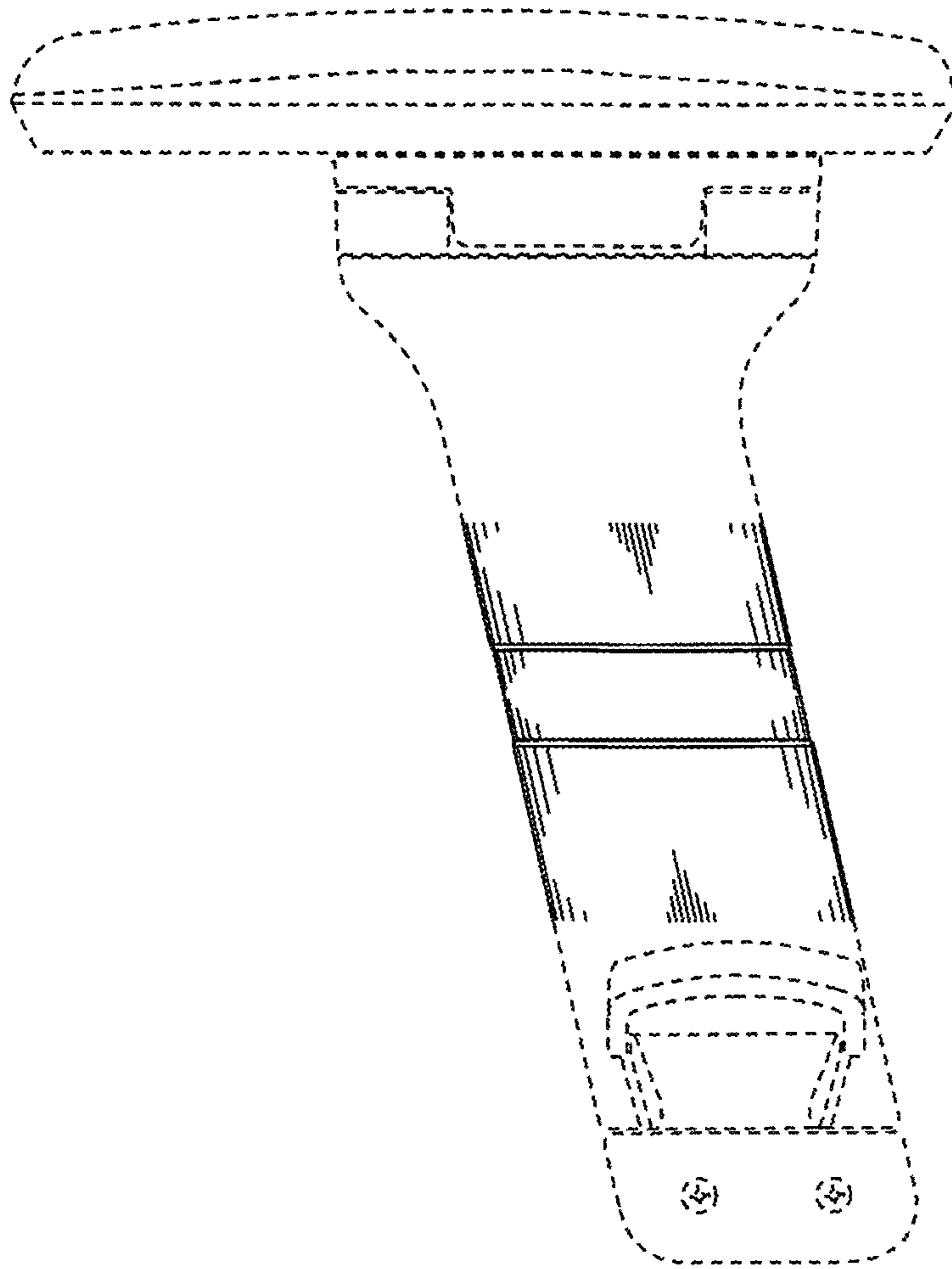


Fig. 4



**Fig. 5**

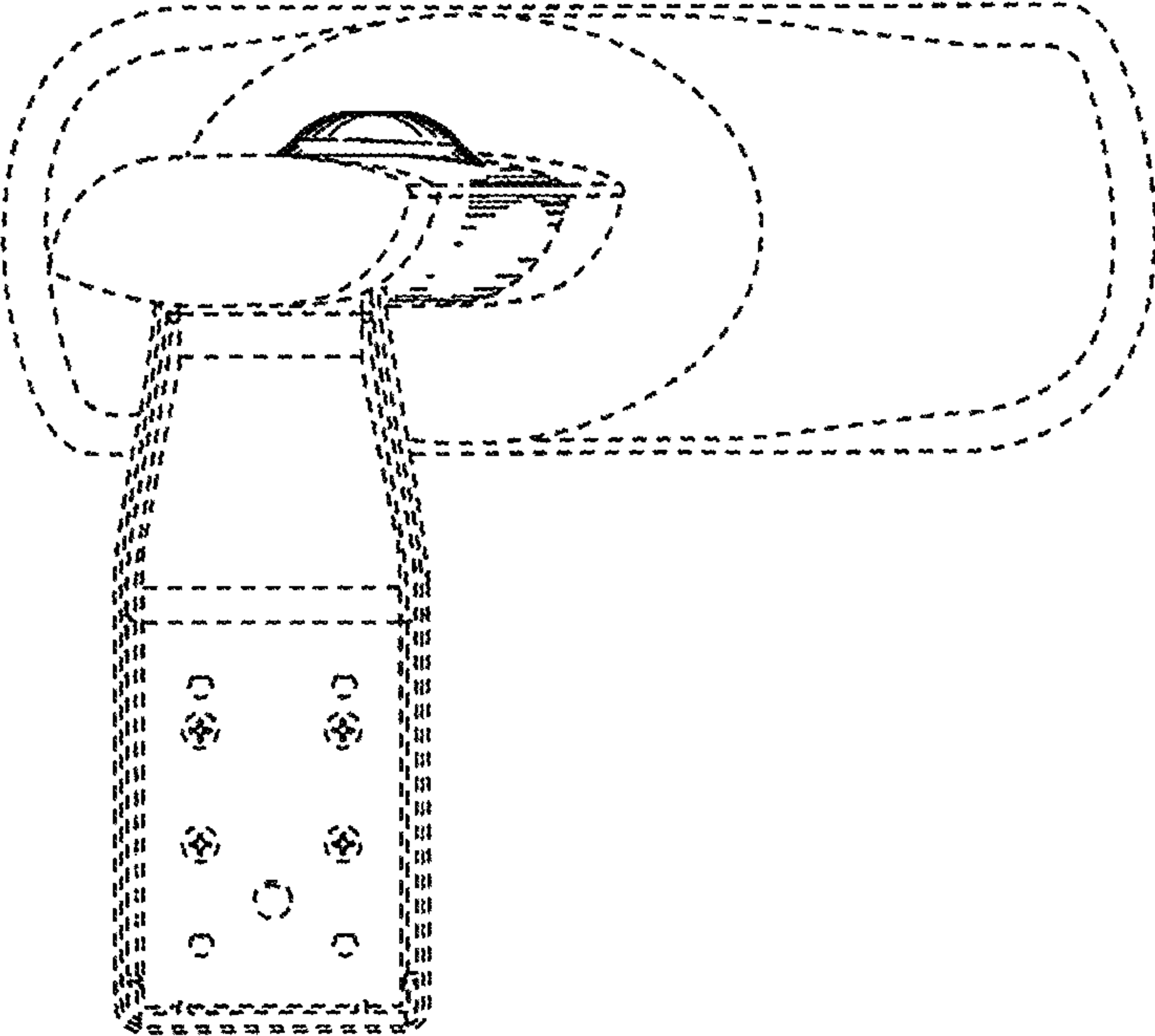


Fig. 6