



US00D832016S

(12) **United States Design Patent**
Ezure et al.

(10) **Patent No.:** **US D832,016 S**
(45) **Date of Patent:** **** Oct. 30, 2018**

(54) **DESK**
(71) Applicant: **ITOKI CORPORATION**, Osaka-shi,
Osaka (JP)
(72) Inventors: **Haruhiro Ezure**, Osaka (JP); **Tomoki
Jonoshita**, Osaka (JP); **Shogo
Minauchi**, Osaka (JP)
(73) Assignee: **ITOKI CORPORATION**, Osaka-shi,
Osaka (JP)
(**) Term: **15 Years**

(21) Appl. No.: **29/561,765**
(22) Filed: **Apr. 20, 2016**

(30) **Foreign Application Priority Data**
Oct. 21, 2015 (JP) 2015-023321
(51) **LOC (11) Cl.** **06-06**
(52) **U.S. Cl.**
USPC **D6/710; D6/656.17**
(58) **Field of Classification Search**
USPC D6/641, 653.21, 654.21, 655.21, 656.16,
D6/656.17, 688.15, 691.5, 702, 708,
D6/708.16, 709, 709.2, 710
CPC .. A47B 7/00; A47B 9/00; A47B 13/00; A47B
13/02; A47B 2200/00; A47B 2200/02;
A47B 2200/0027; A47B 2200/0029;
A47B 2200/11
See application file for complete search history.

(56) **References Cited**
U.S. PATENT DOCUMENTS
D512,251 S * 12/2005 Sakurai D6/708
D555,945 S * 11/2007 Pearsons D6/709

D563,697 S * 3/2008 Glass D6/656.16
D644,046 S * 8/2011 Cronk D6/656.17
D644,860 S * 9/2011 Saito D6/656.17
D674,627 S * 1/2013 Mecherle A47B 9/20
D6/708.16
D723,849 S * 3/2015 Mueller A47B 9/20
D6/709
D730,096 S * 5/2015 Hosoya D6/709
D795,620 S * 8/2017 Labrosse D6/709
2014/0360415 A1 * 12/2014 Riis A47B 9/20
108/147.19
2017/0135466 A1 * 5/2017 Randlov A47B 9/20

* cited by examiner

Primary Examiner — Mary Ann Calabrese
(74) *Attorney, Agent, or Firm* — Drinker Biddle & Reath
LLP

(57) **CLAIM**
The ornamental design for a desk, as shown and described.

DESCRIPTION
FIG. 1 is a perspective view of the top, front and right side of a desk showing our new design;
FIG. 2 is a front view thereof;
FIG. 3 is a rear view thereof;
FIG. 4 is a top view thereof;
FIG. 5 is a bottom view thereof;
FIG. 6 is a left side view thereof;
FIG. 7 is a right side view thereof; and,
FIG. 8 is an enlarged cross-sectional view thereof taken along the line 8-8 of FIG. 2.
The broken lines show portions of the desk that form no part of the claimed design.

1 Claim, 5 Drawing Sheets

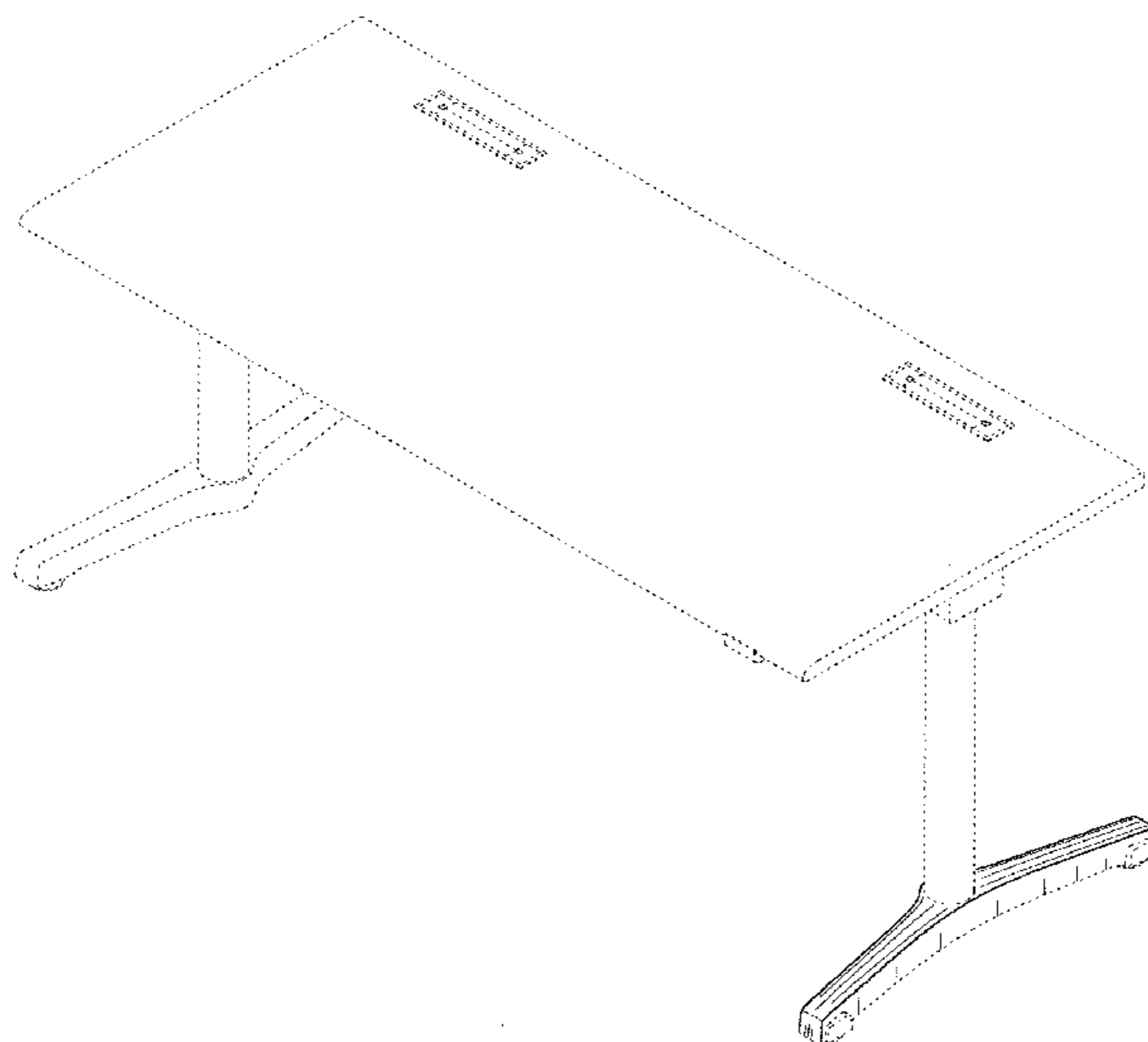


Fig. 1

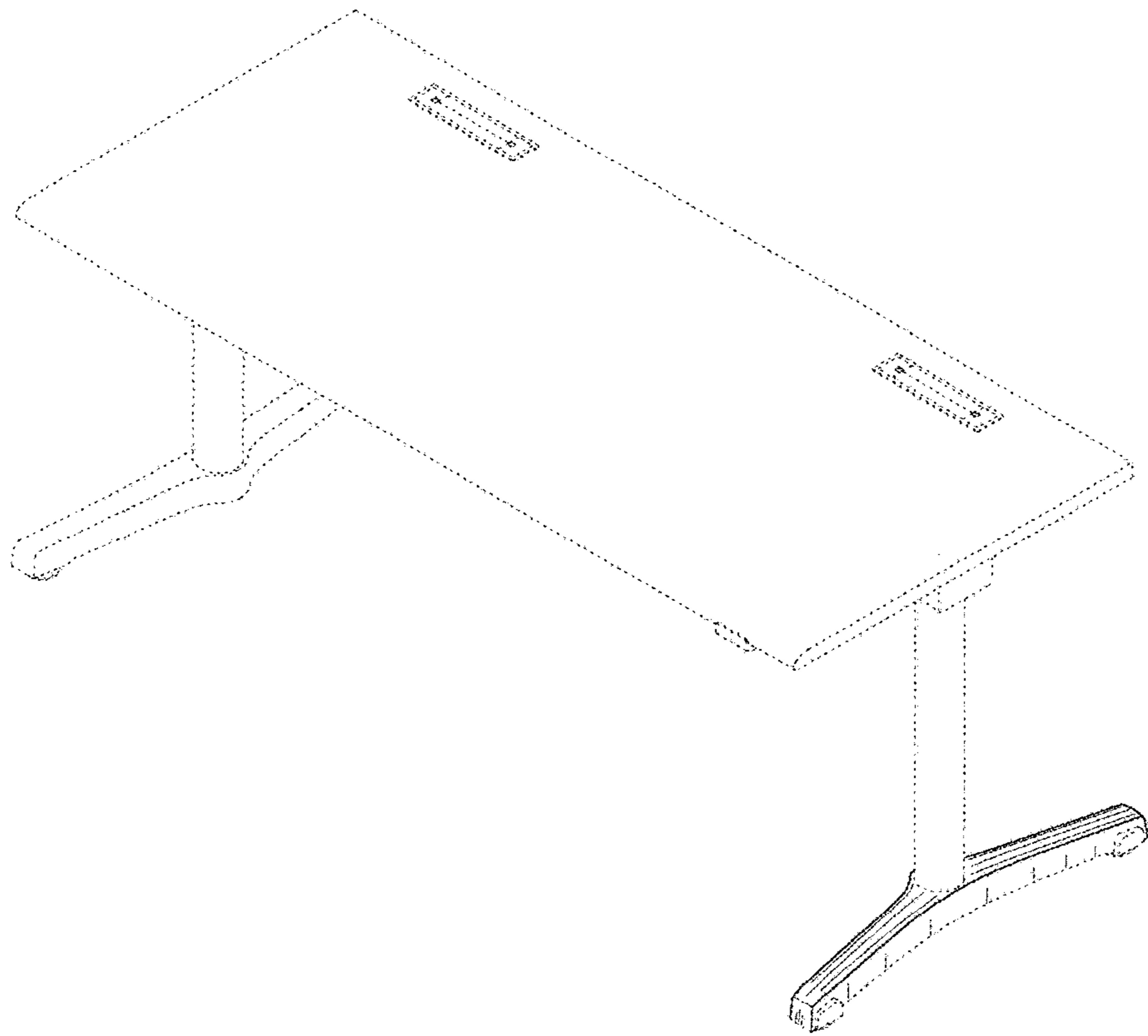


Fig. 2

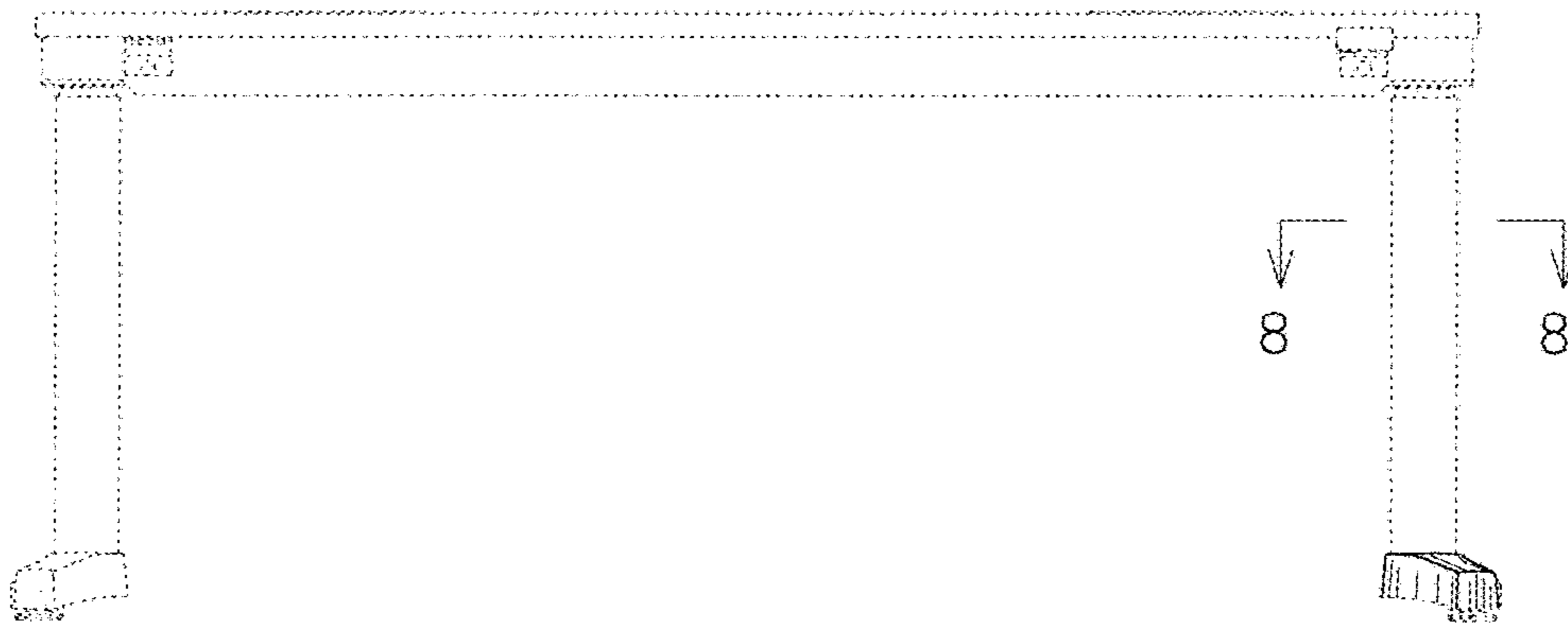


Fig. 3



Fig. 4



Fig. 5

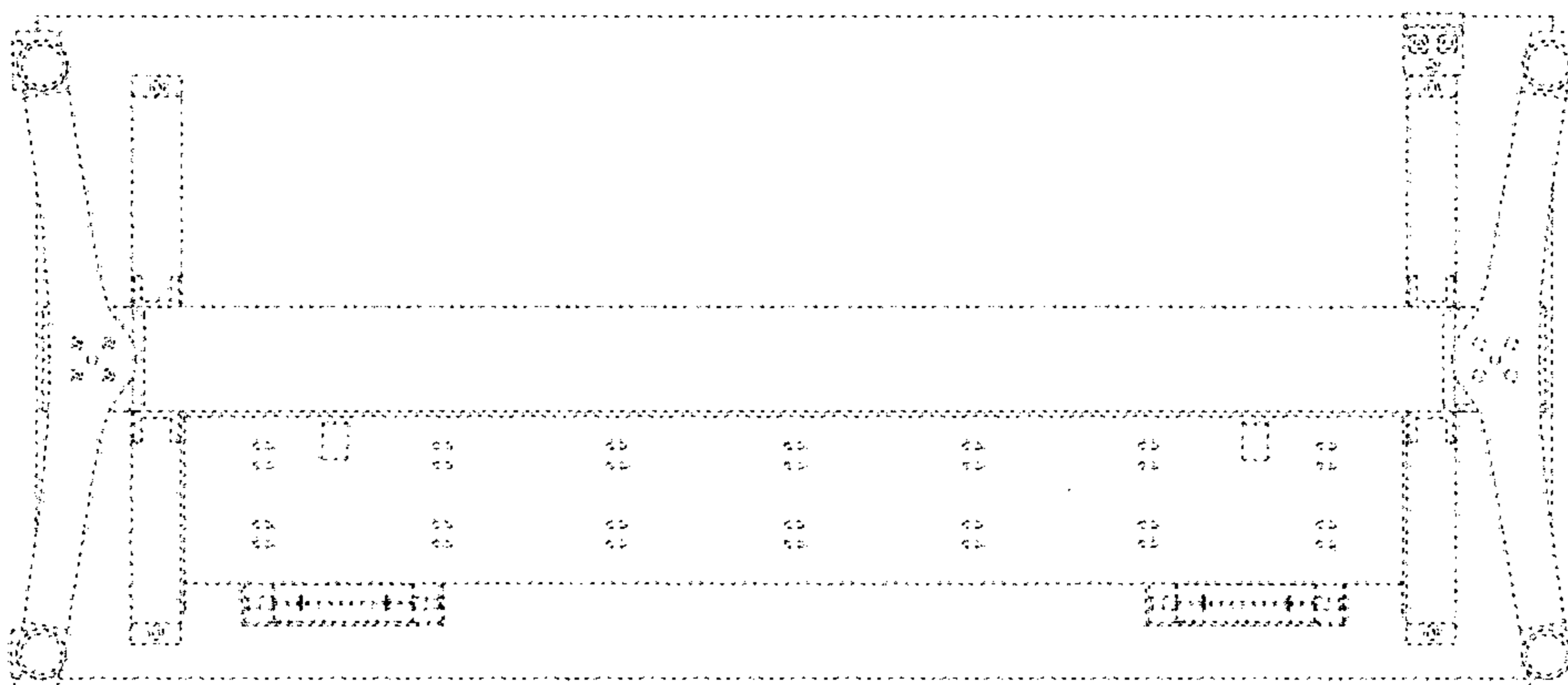


Fig. 6

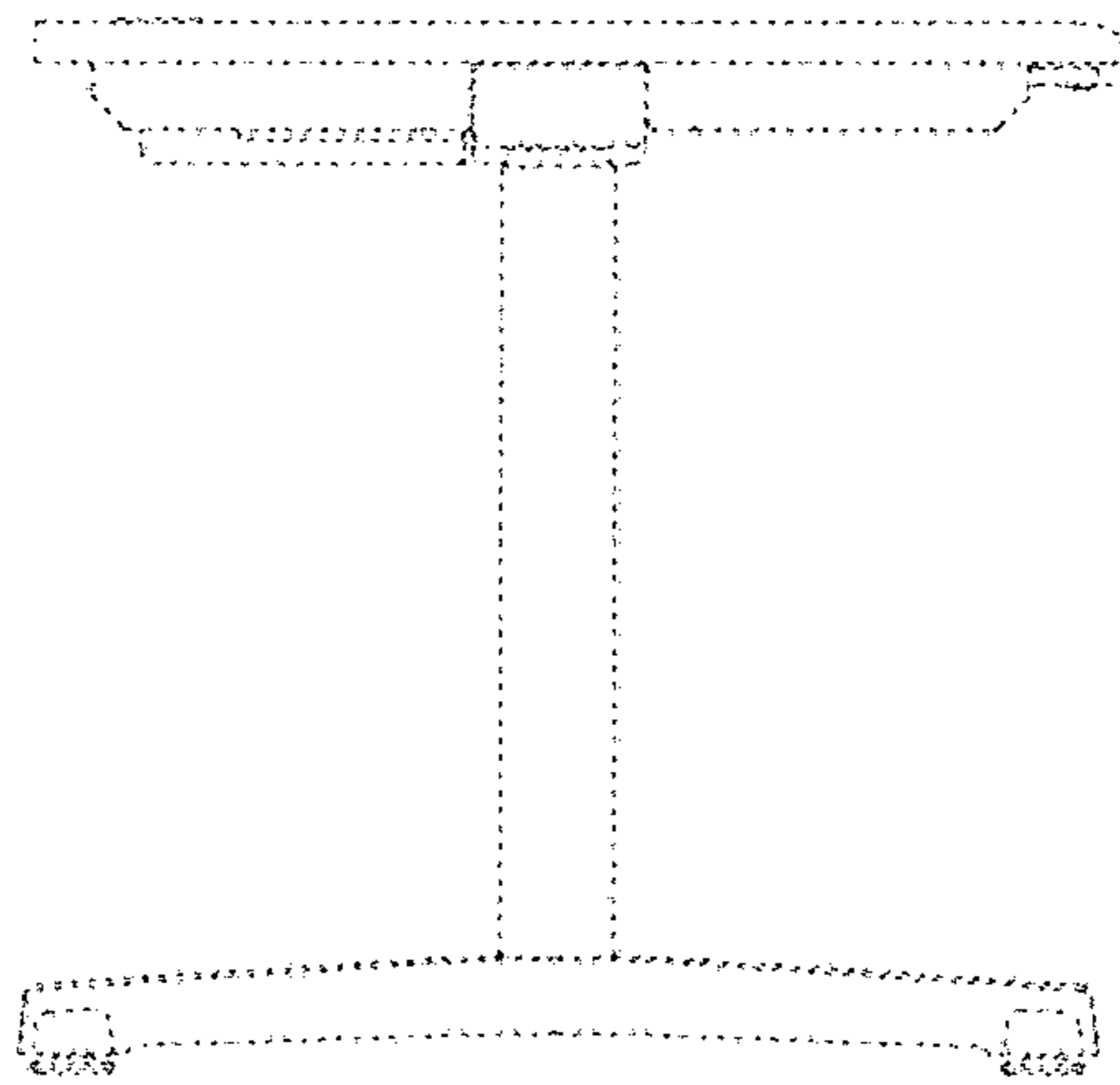


Fig. 7

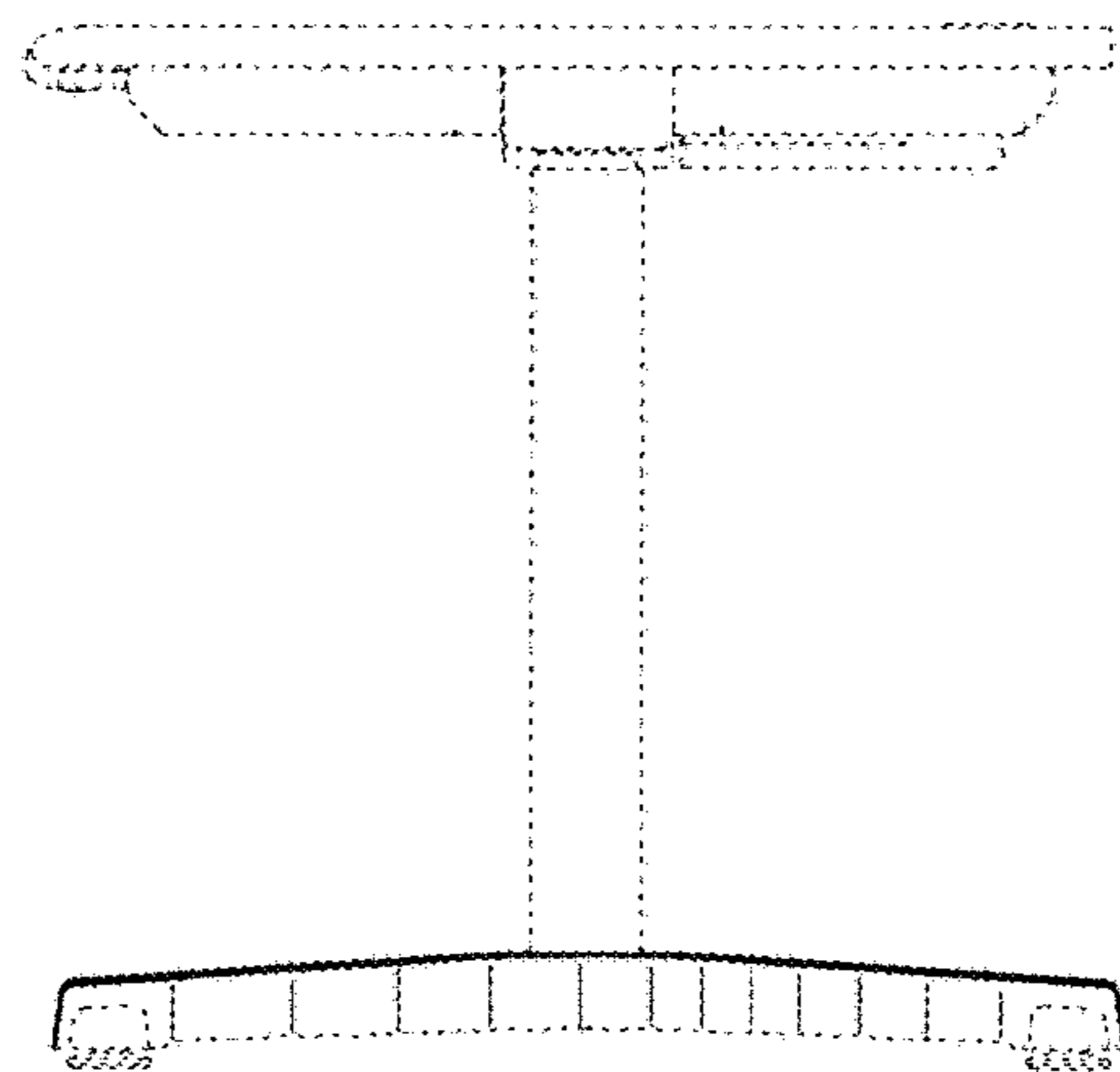


Fig. 8

