



US00D832015S

(12) **United States Design Patent** (10) **Patent No.:** **US D832,015 S**
Deemer et al. (45) **Date of Patent:** **** Oct. 30, 2018**

(54) **CHAIR PEDESTAL**

(71) Applicant: **Gary Platt Manufacturing, LLC,**
Reno, NV (US)

(72) Inventors: **Kenneth W. Deemer,** Hemet, CA (US);
Charles Mac Retherford, Reno, NV
(US); **Edmond E. Abadie,** Reno, NV
(US); **Daniel J. Waller,** Reno, NV (US)

(73) Assignee: **Gary Platt Manufacturing, LLC,**
Reno, NV (US)

(**) Term: **15 Years**

(21) Appl. No.: **29/589,068**

(22) Filed: **Dec. 27, 2016**

(51) **LOC (11) Cl.** **06-01**

(52) **U.S. Cl.**
USPC **D6/708.16; D6/360; D6/364**

(58) **Field of Classification Search**
USPC D6/334-336, 360, 364, 365, 366, 375,
D6/716, 716.1, 716.4, 708.16, 718.17
CPC A47C 1/04; A47C 1/06; A47C 3/18; A47C
3/20; A47C 3/24; A47C 4/028; A47C
5/04; A47C 7/002; A47C 7/004; A47C
7/24

See application file for complete search history.

(56) **References Cited**

U.S. PATENT DOCUMENTS

D123,259 S * 10/1940 Cramer D6/708.17
D261,078 S * 10/1981 Wilson D6/360

D274,865 S * 7/1984 Murry D6/360
D488,630 S * 4/2004 McCann D6/360
D507,893 S * 8/2005 Glass D6/375
D508,786 S * 8/2005 Natuzzi D6/364
D603,193 S * 11/2009 Sandoval D6/708.16
D665,183 S * 8/2012 Welsh D6/360

* cited by examiner

Primary Examiner — Mimoso De

(74) *Attorney, Agent, or Firm* — Hanley, Flight and
Zimmerman, LLC

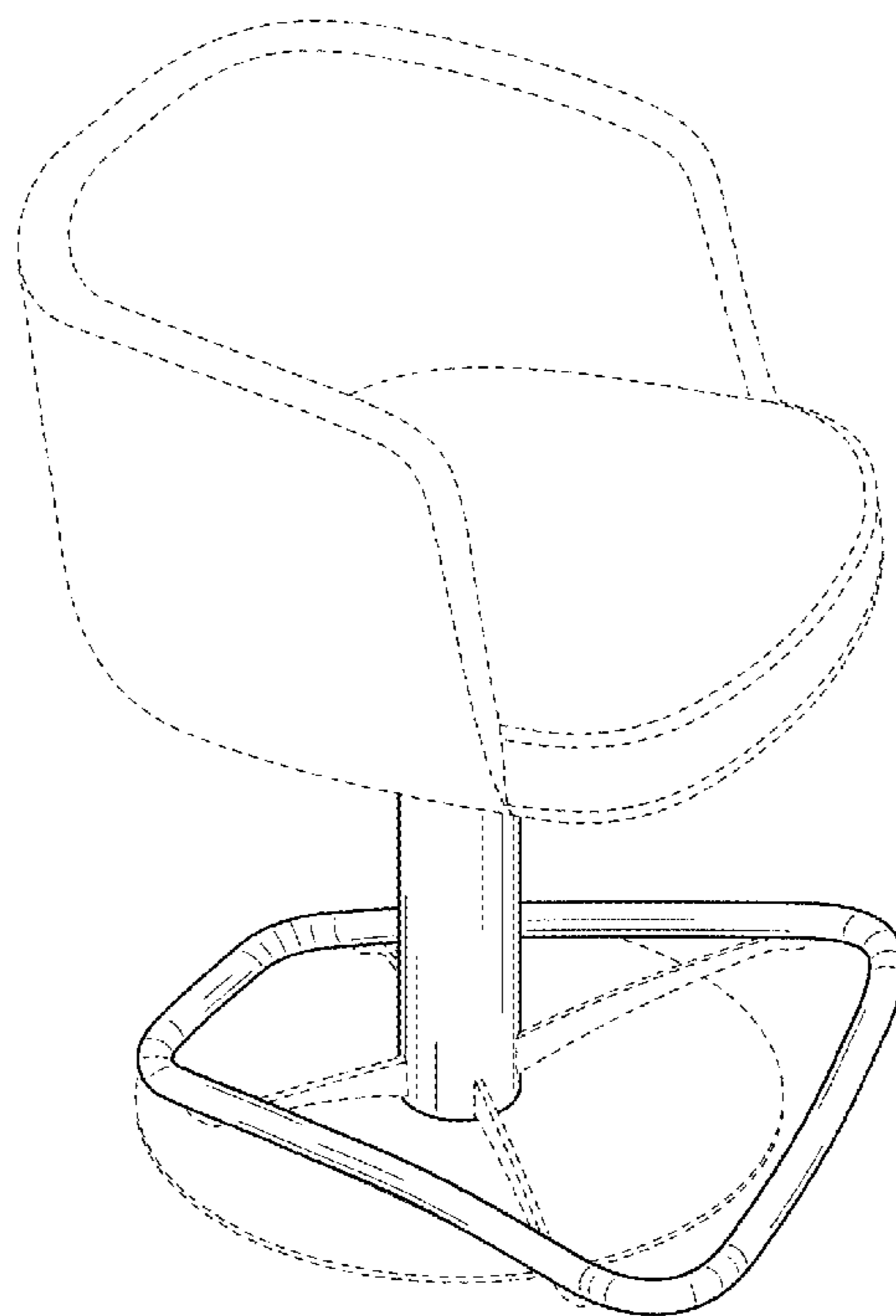
(57) **CLAIM**

The ornamental design for a chair pedestal, substantially as
shown and described.

DESCRIPTION

FIG. 1 is a perspective view of a chair pedestal.
FIG. 2 is a front view of the chair pedestal of FIG. 1.
FIG. 3 is a rear view of the chair pedestal of FIG. 1.
FIG. 4 is a first side view of the chair pedestal of FIG. 1.
FIG. 5 is a second side view of the chair pedestal of FIG. 1.
FIG. 6 is a top view of the chair pedestal of FIG. 1; and,
FIG. 7 is a bottom view of the chair pedestal of FIG. 1.
The features shown in broken lines form no part of the
currently claimed design.

1 Claim, 4 Drawing Sheets



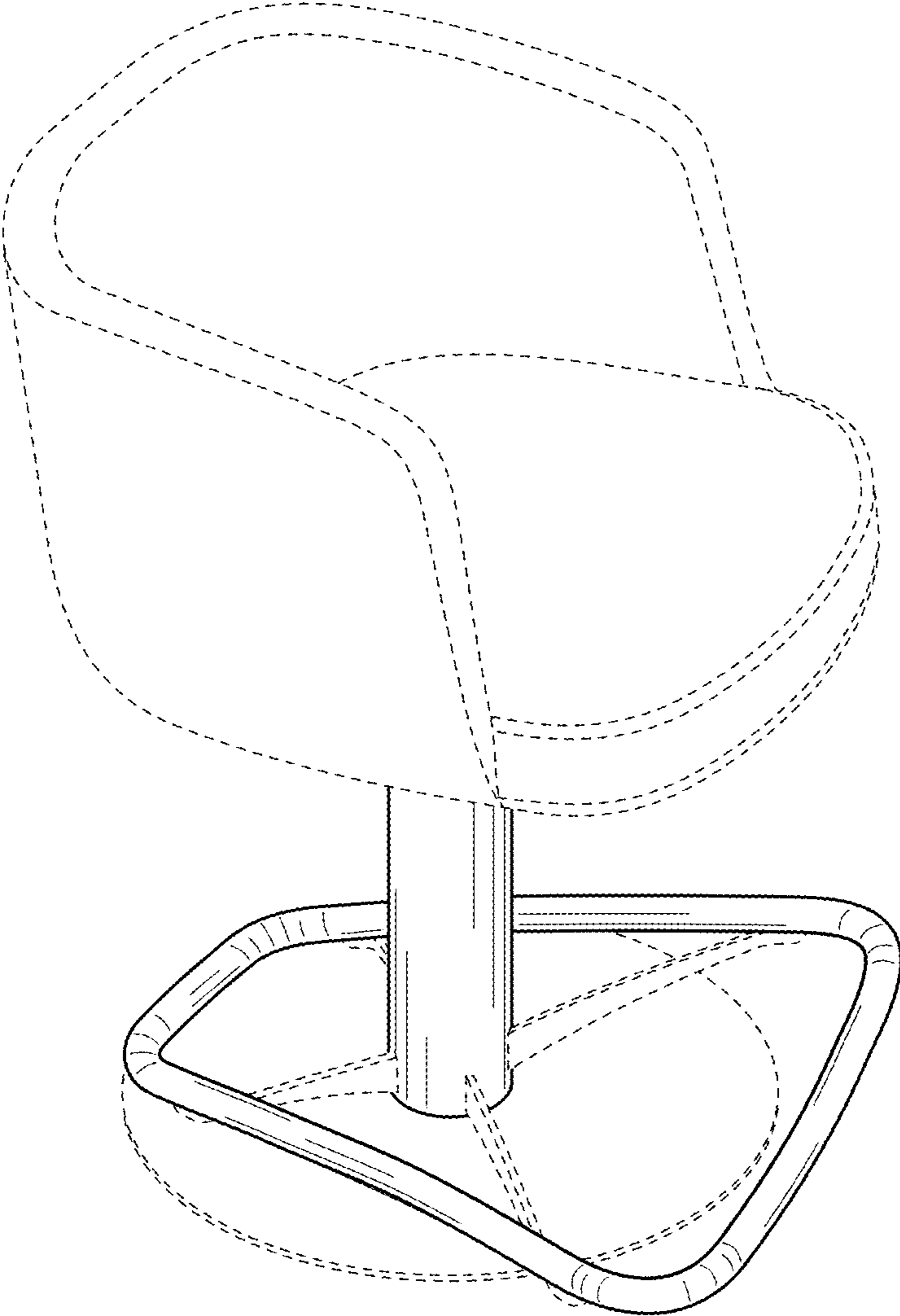


FIG. 1

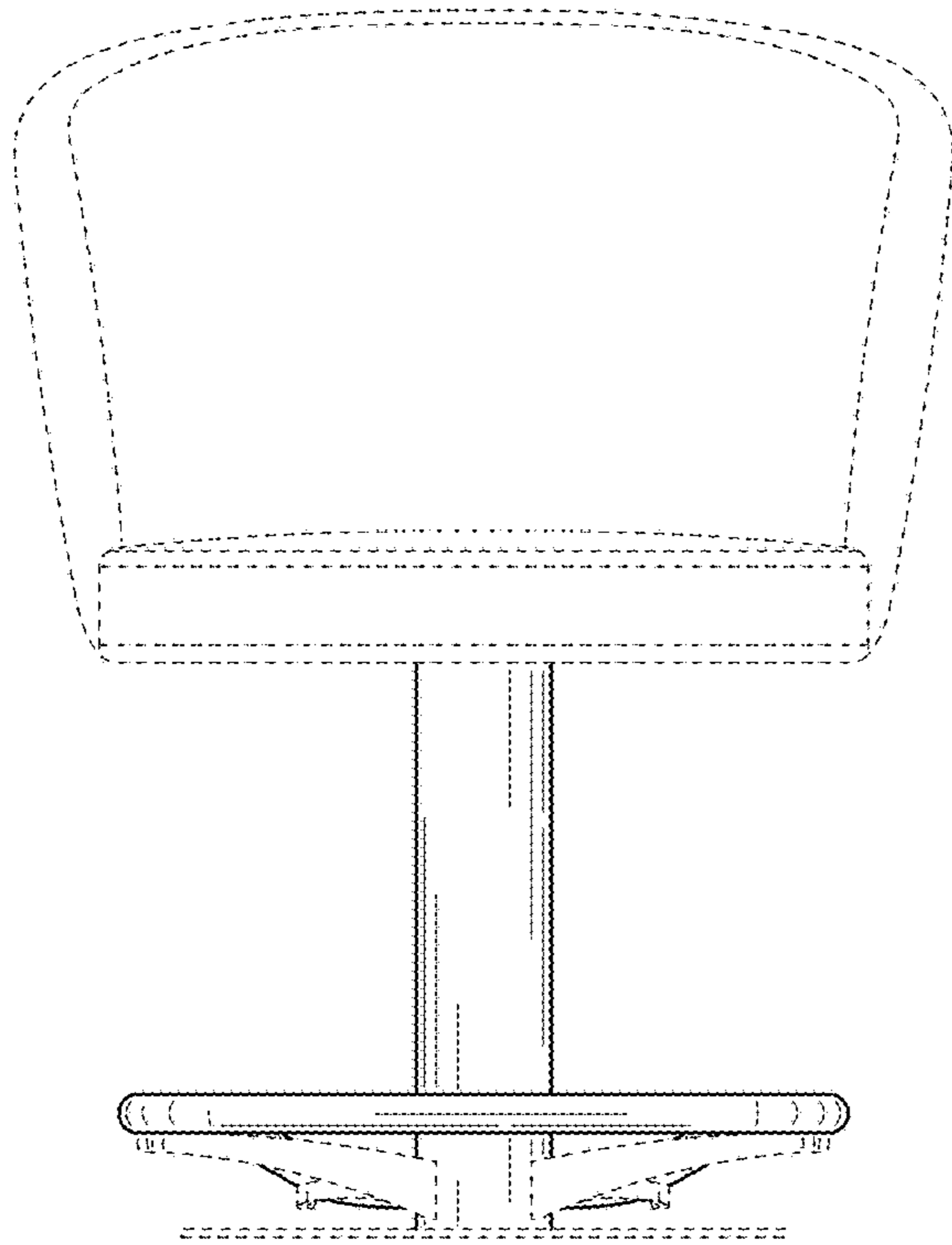


FIG. 2

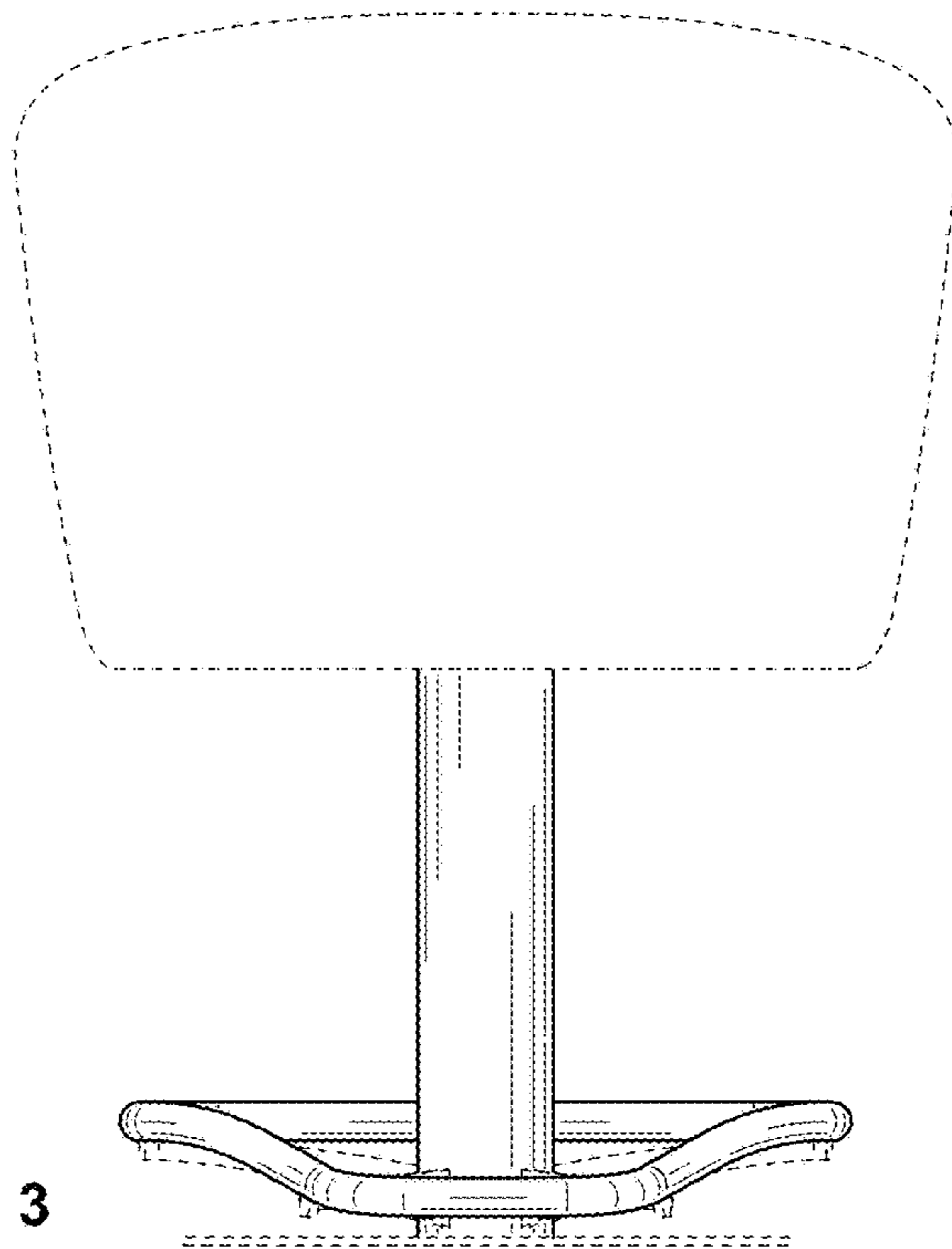


FIG. 3

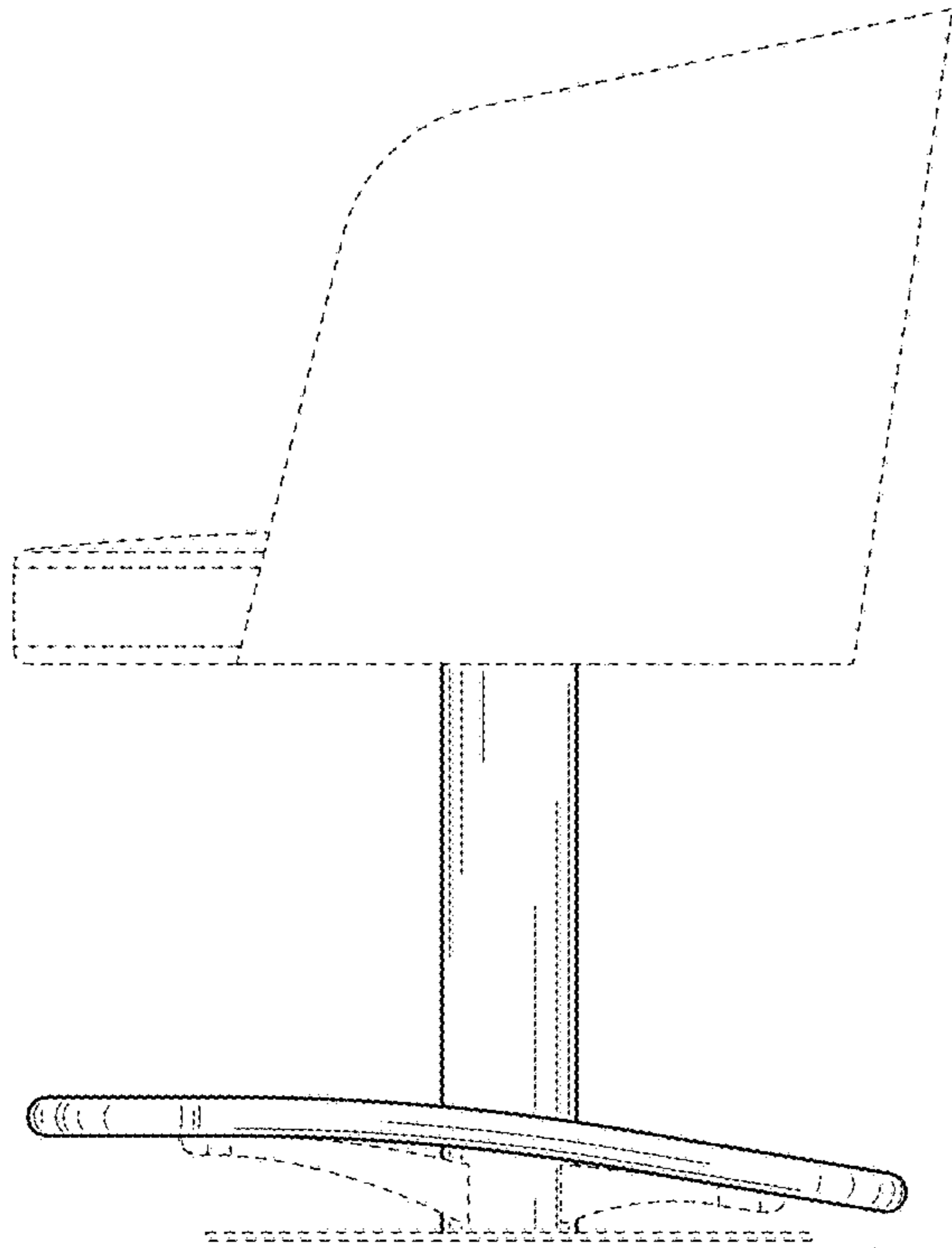


FIG. 4

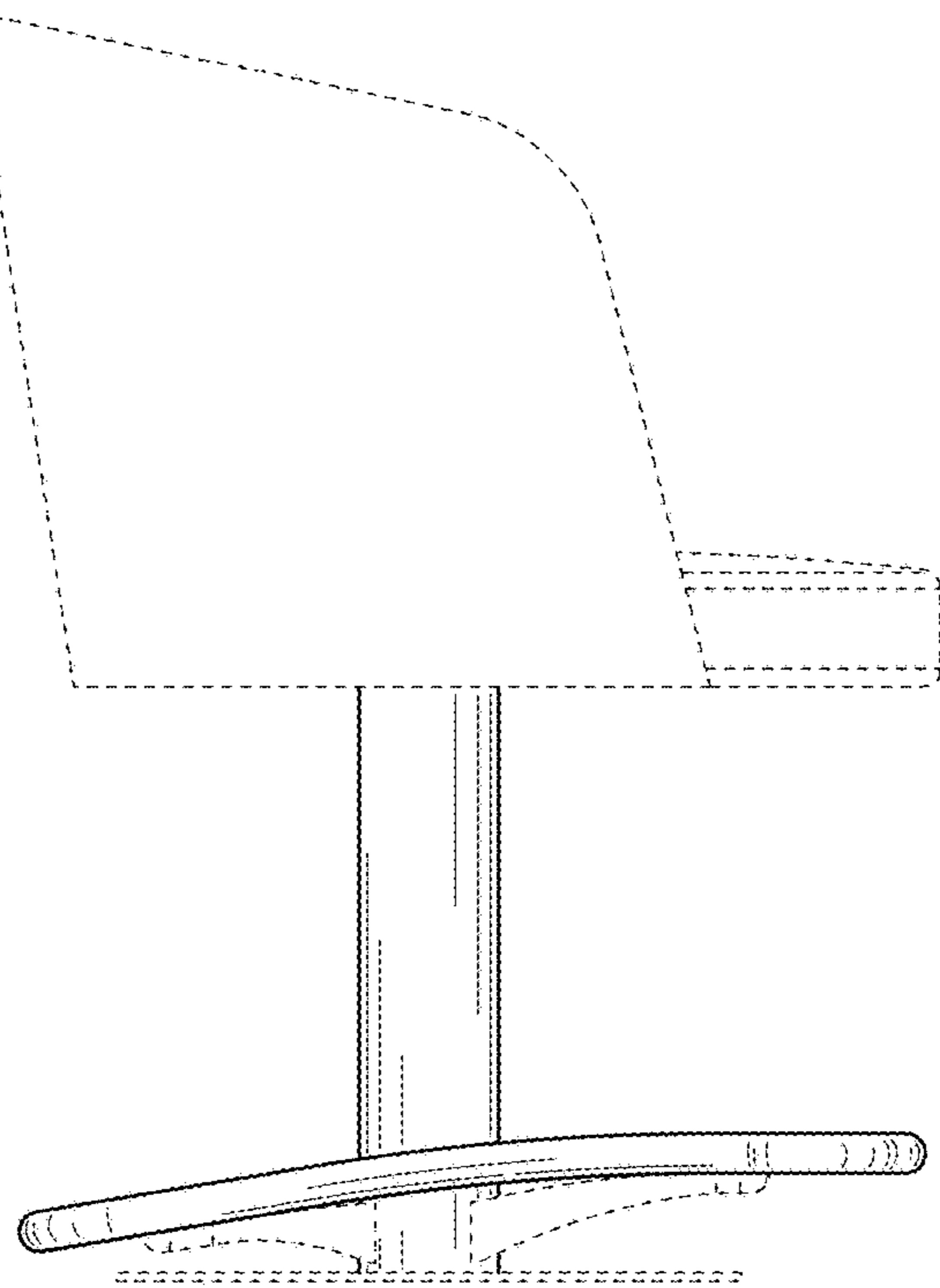


FIG. 5

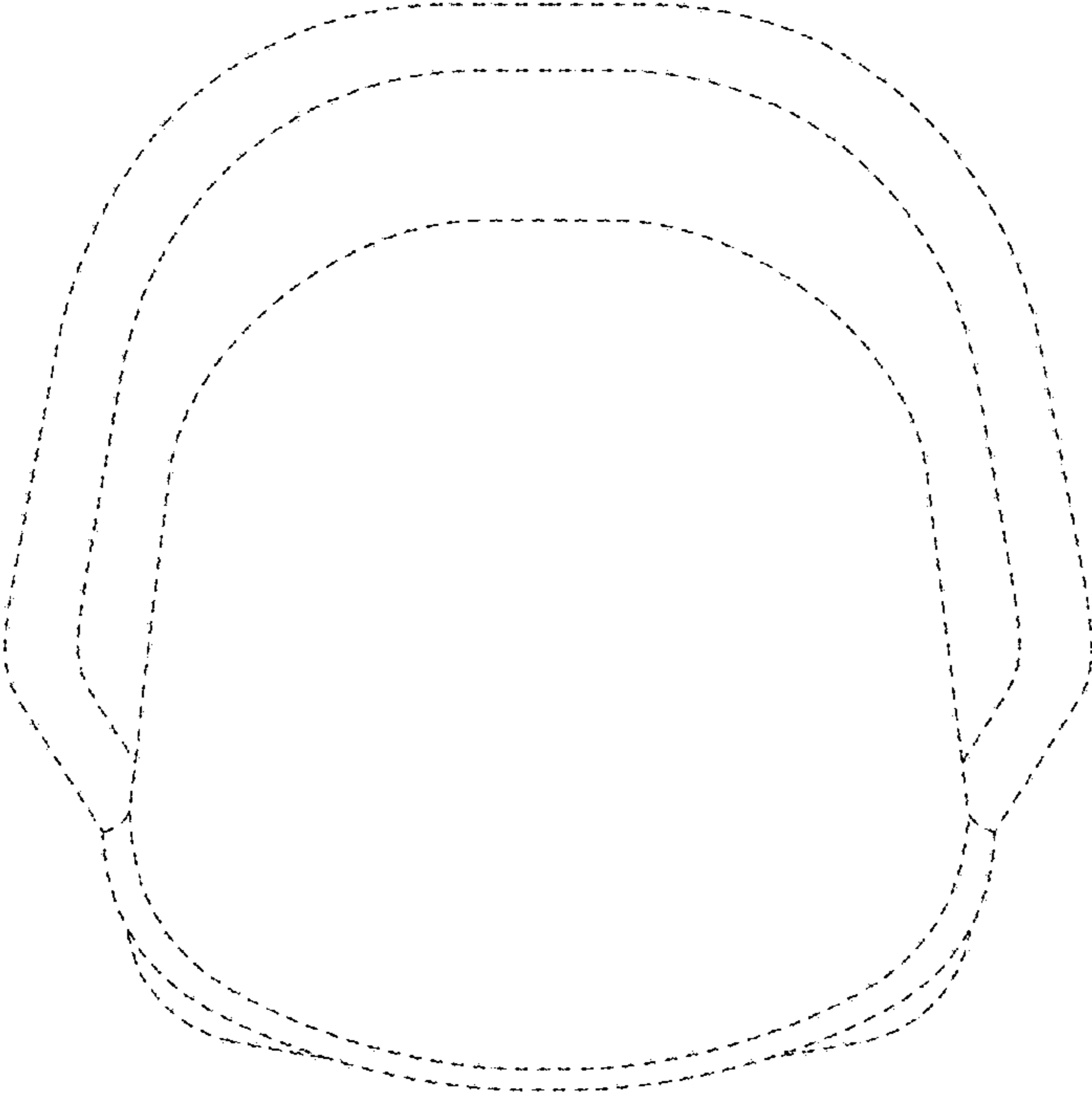


FIG. 6

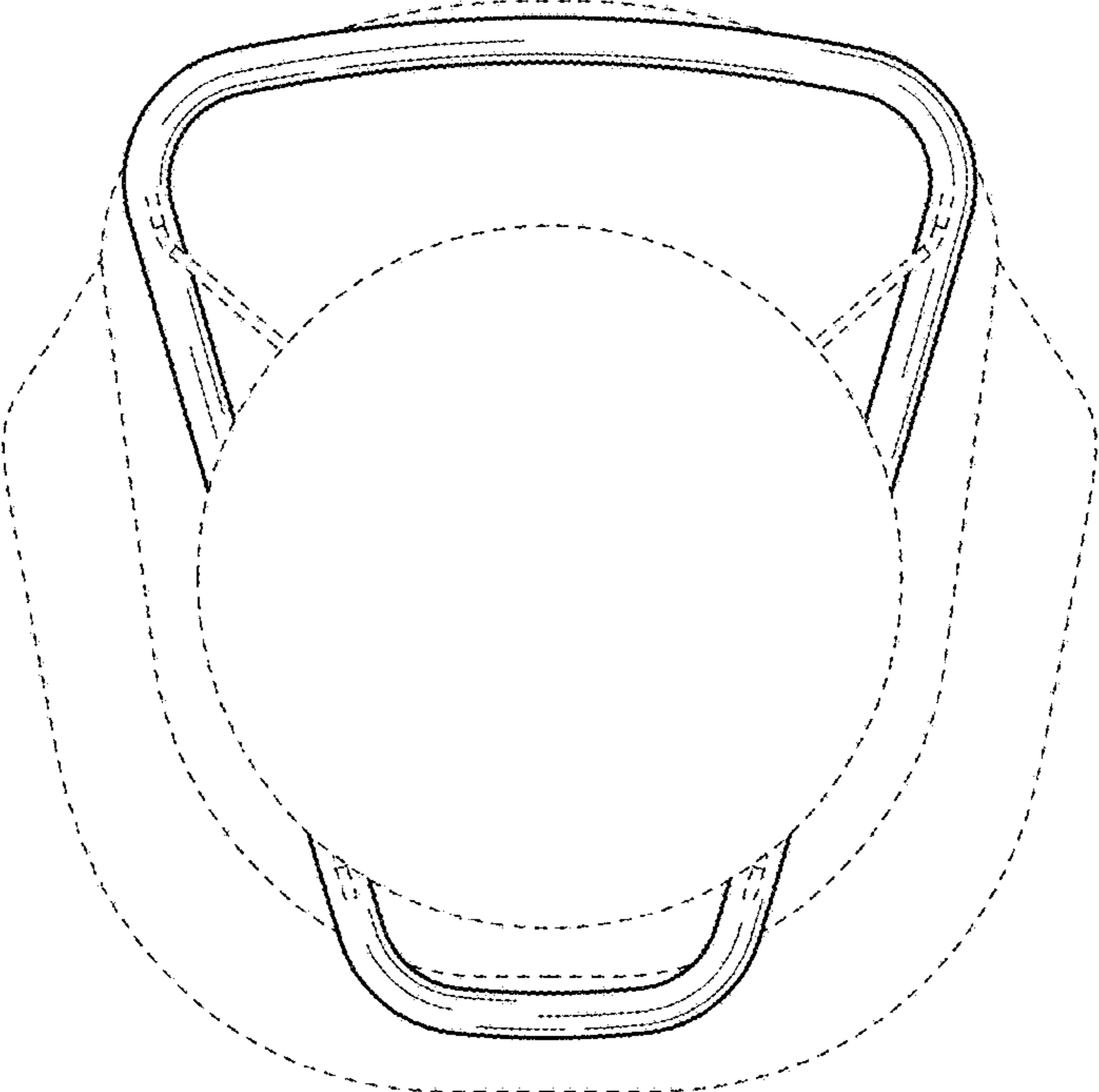


FIG. 7