



US00D832013S

(12) **United States Design Patent** (10) **Patent No.:** **US D832,013 S**  
**Salamon-Hickey et al.** (45) **Date of Patent:** **\*\* Oct. 30, 2018**

- (54) **SOUP BAR**
- (71) Applicant: **CAMPBELL SOUP COMPANY**,  
Camden, NJ (US)
- (72) Inventors: **Talia Salamon-Hickey**, Marlton, NJ  
(US); **William B. Hutches**, Haddon  
Township, NJ (US)
- (73) Assignee: **Campbell Soup Company**, Camden,  
NJ (US)
- (\*\*) Term: **15 Years**
- (21) Appl. No.: **29/547,371**
- (22) Filed: **Dec. 3, 2015**
- (51) **LOC (11) Cl.** ..... **06-04**
- (52) **U.S. Cl.**  
USPC ..... **D6/699.3**
- (58) **Field of Classification Search**  
USPC ..... D6/699, 699.1-699.4, 698; D7/347;  
D25/16; D34/14  
CPC ..... A47B 3/00; A47B 3/02; A47B 2031/003;  
A47B 2031/004; A47B 2031/005; A47B  
2031/008; A47B 2031/023; A47B  
2031/026; A47F 9/00; A47F 9/005; A47F  
9/02; A47F 9/04; A47F 9/042; A47F  
9/047; A47F 9/048; A47F 3/0439; A47F  
3/0413  
See application file for complete search history.

- D326,024 S \* 5/1992 Boyd ..... 211/59.1
- D346,514 S \* 5/1994 Barish ..... D6/699.3
- D349,617 S \* 8/1994 Herman ..... D6/699.2
- D371,660 S \* 7/1996 Wilson ..... D34/14
- D383,016 S \* 9/1997 McKee ..... D6/699.3
- D413,211 S \* 8/1999 Baluk ..... D6/699.2
- D443,069 S \* 5/2001 Horton ..... D25/16
- 6,598,514 B2 \* 7/2003 Leggi ..... A47F 9/00  
126/276
- D515,845 S \* 2/2006 Reeves ..... D6/661.2
- D618,008 S \* 6/2010 Verhaar ..... D6/699.1

\* cited by examiner

*Primary Examiner* — Mary Ann Calabrese

(74) *Attorney, Agent, or Firm* — Pauly, DeVries, Smith & Deffner LLC

(57) **CLAIM**

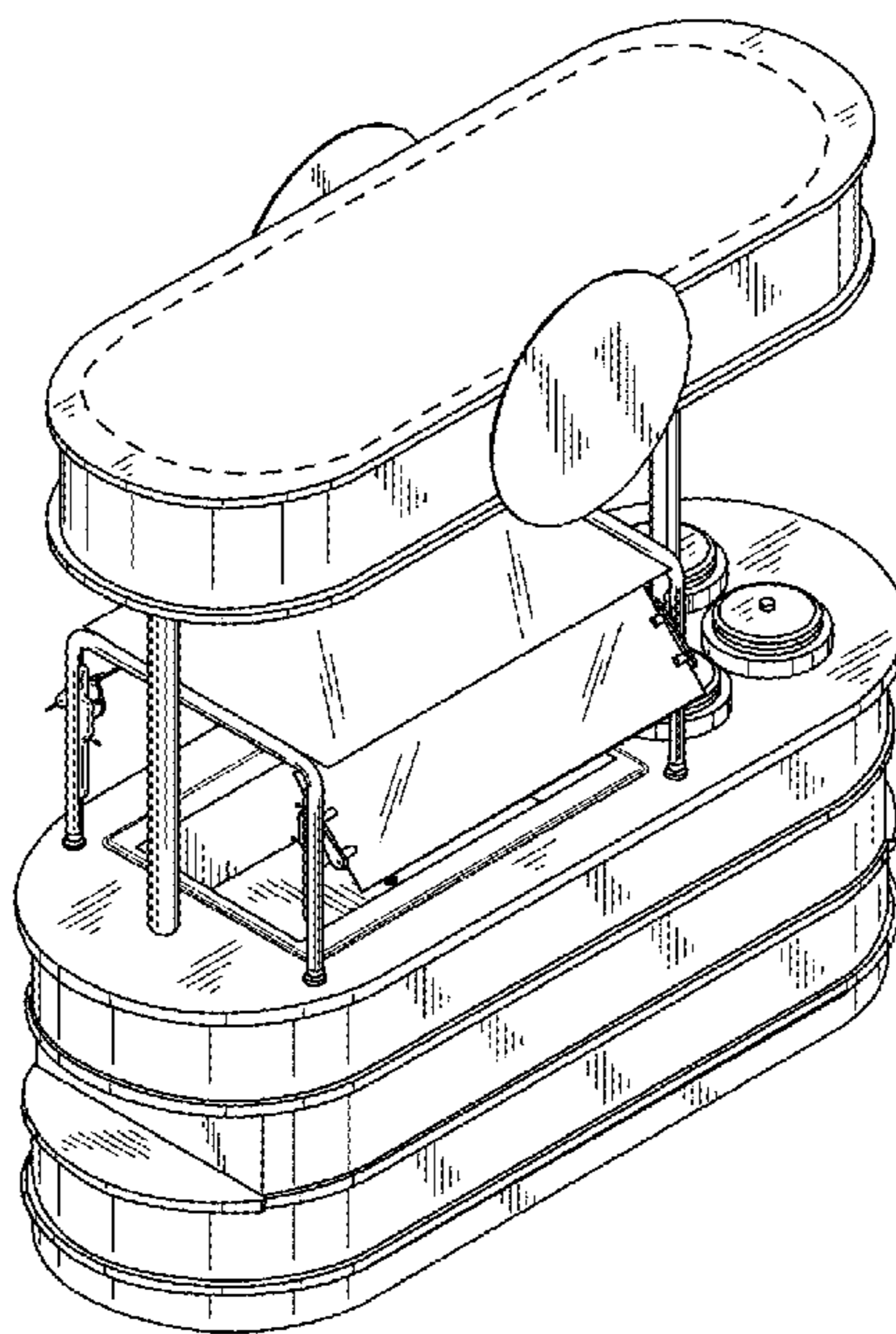
The ornamental design for a soup bar, as shown and described.

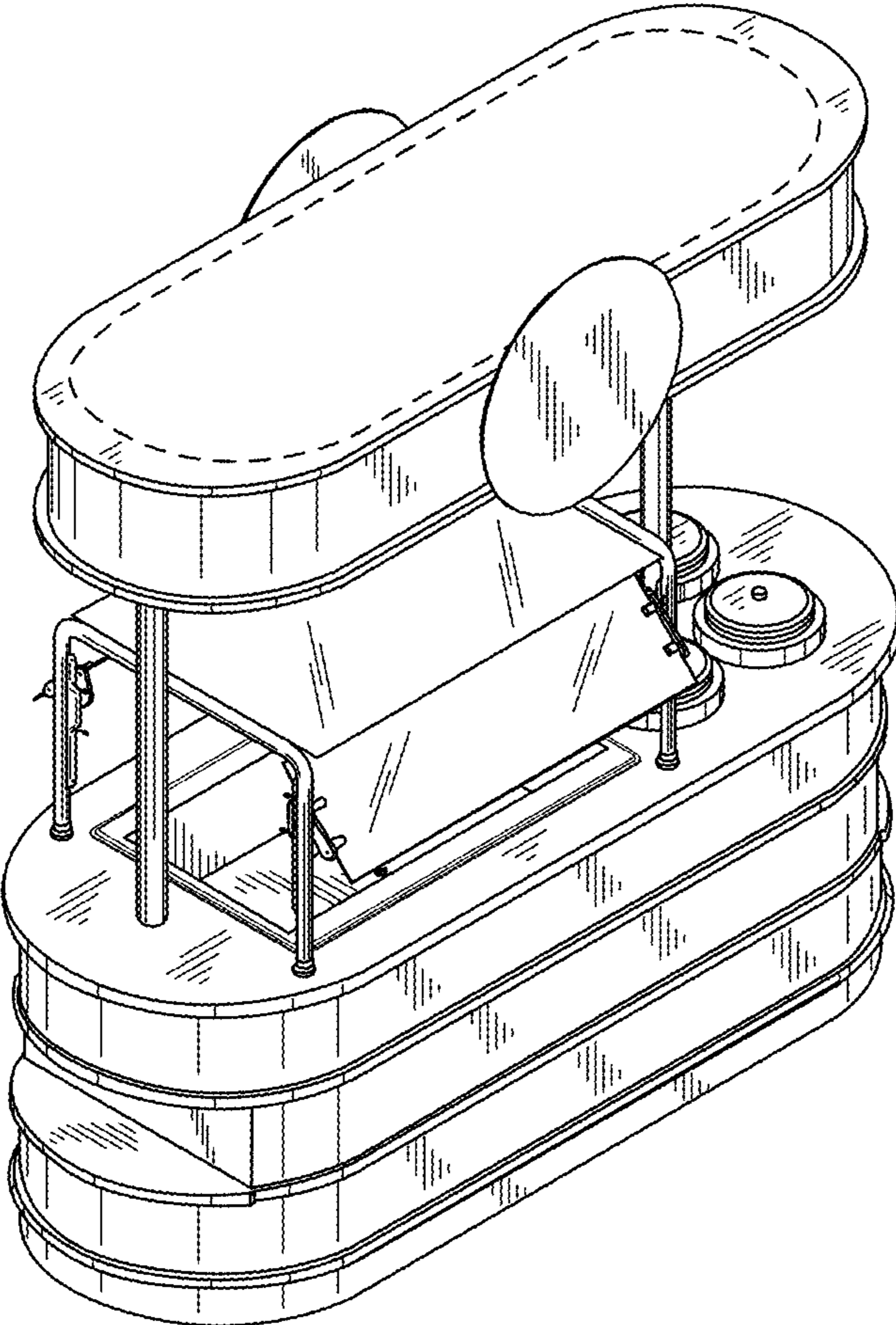
**DESCRIPTION**

FIG. 1 is a perspective view of the top front side of a soup bar.  
 FIG. 2 is a perspective view of the top back side of the soup bar.  
 FIG. 3 is a front elevation view of the soup bar.  
 FIG. 4 is a back elevation view of the soup bar.  
 FIG. 5 is a right side elevation view of the soup bar.  
 FIG. 6 is a left side elevation view of the soup bar.  
 FIG. 7 is a top plan view of the soup bar; and,  
 FIG. 8 is a bottom plan view of the soup bar.  
 The broken lines in the drawings illustrate portions of the soup bar that form no part of the claim.

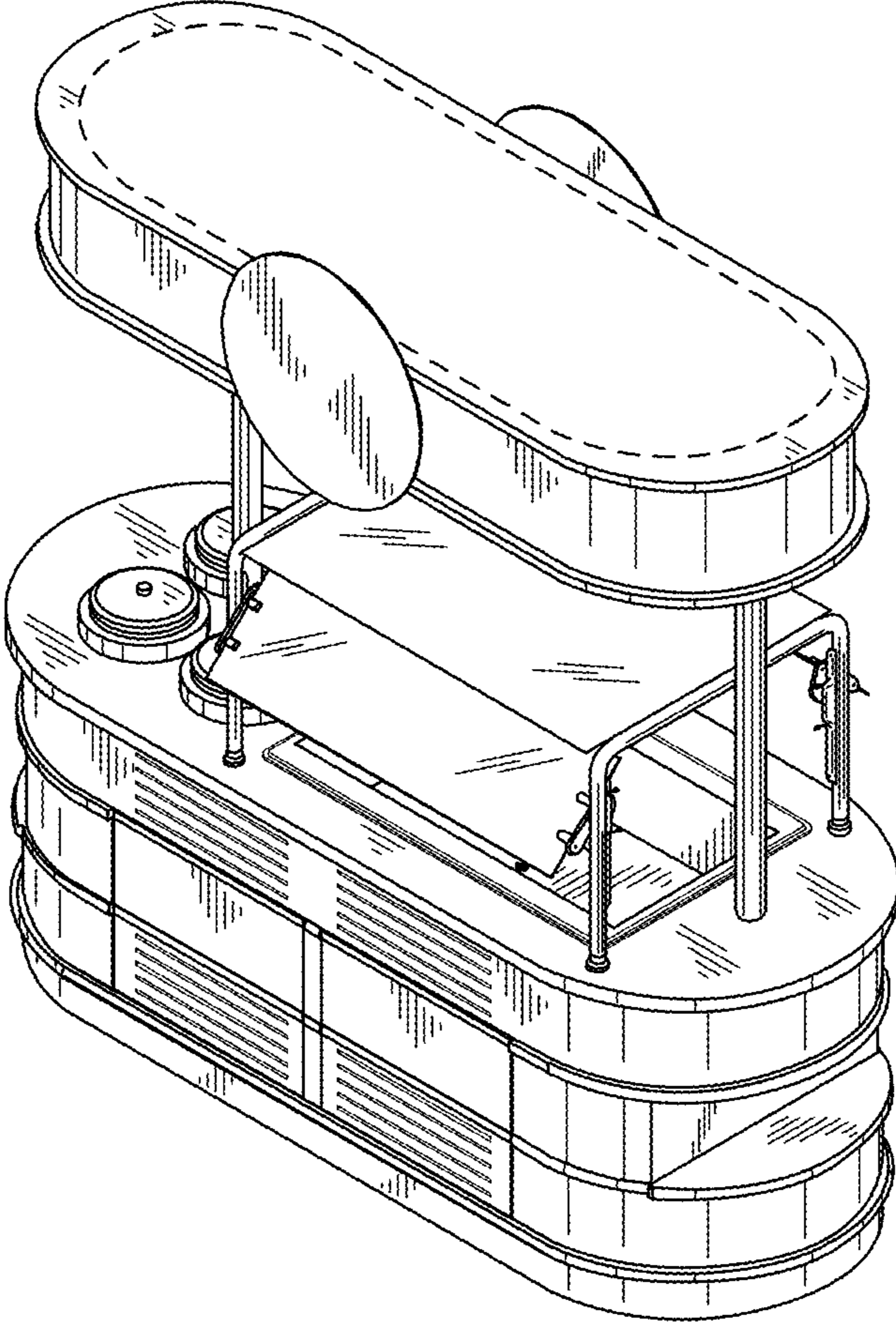
**1 Claim, 4 Drawing Sheets**

- (56) **References Cited**  
U.S. PATENT DOCUMENTS  
D228,063 S \* 8/1973 Keeshin et al. .... D34/14  
4,572,598 A \* 2/1986 Moore, Jr. .... A47F 3/0439  
108/96

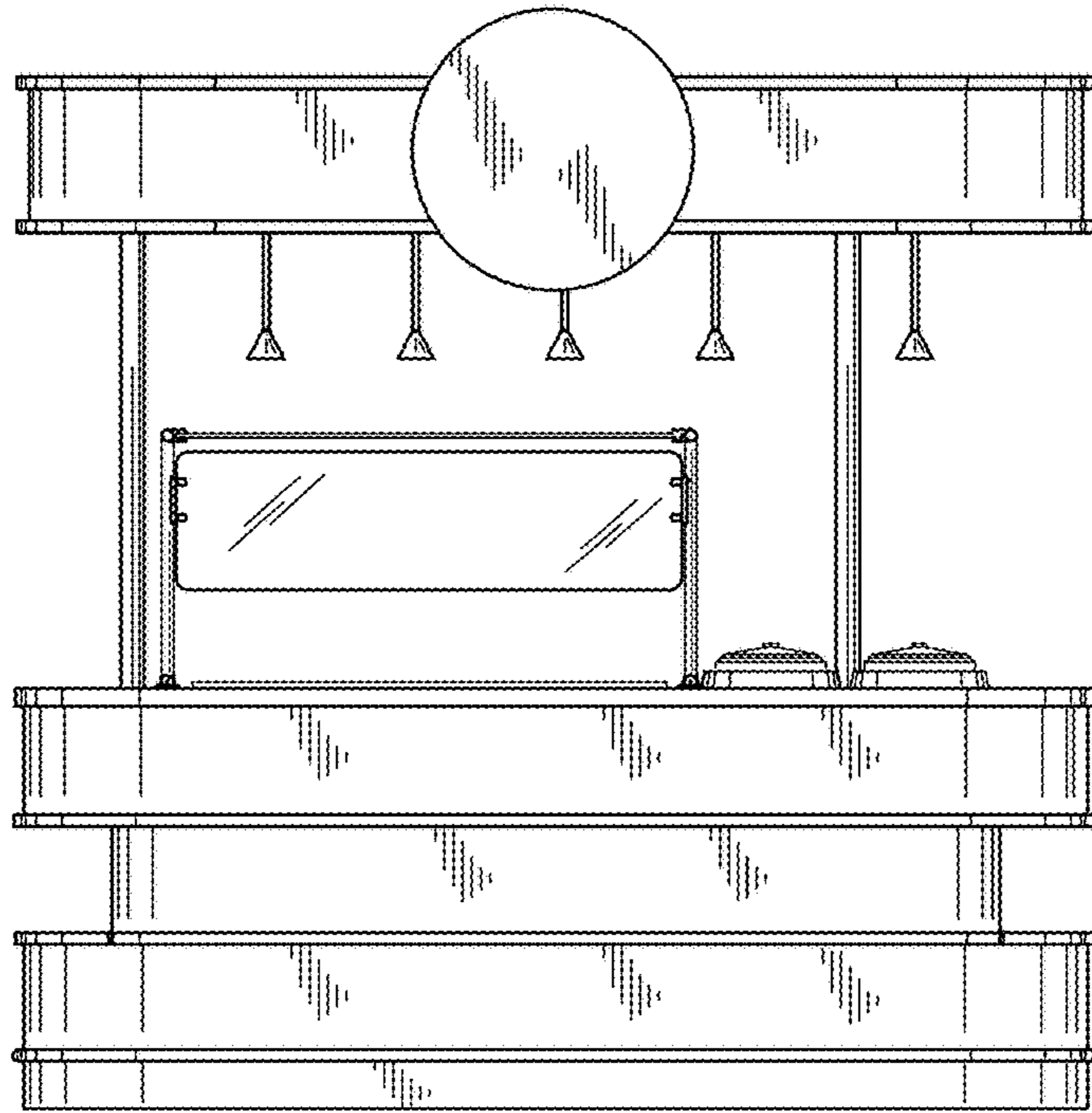




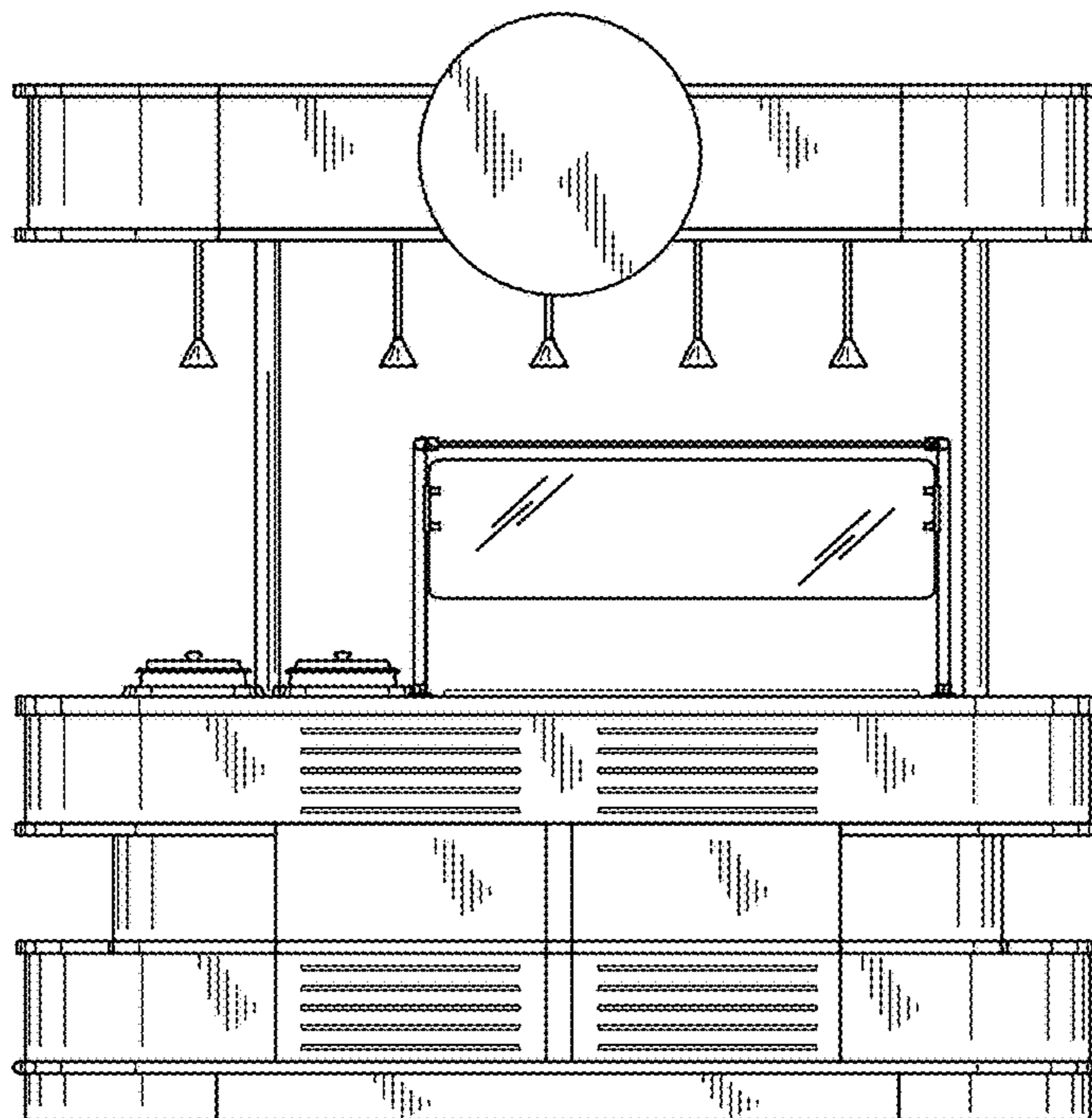
**FIG. 1**



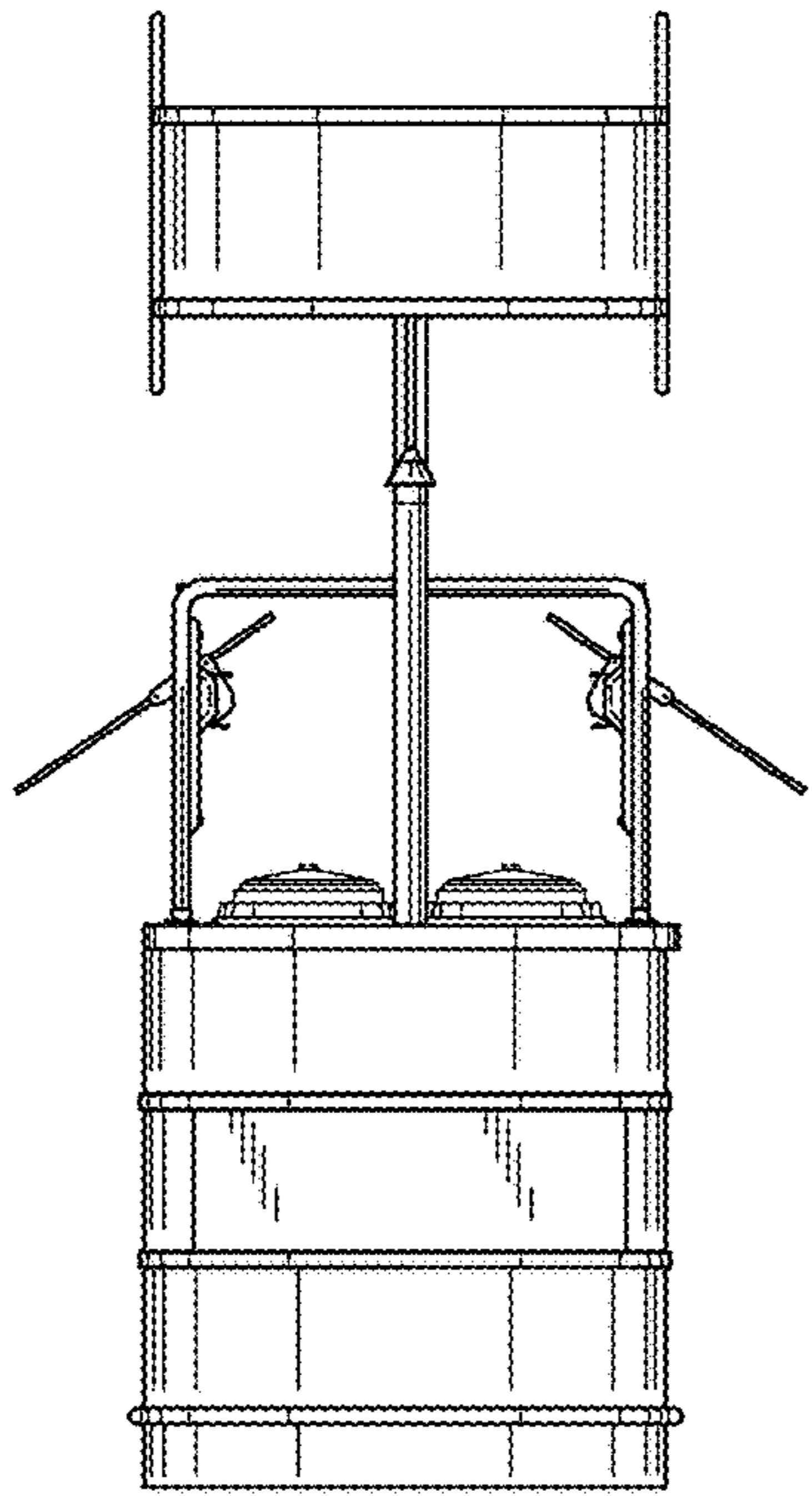
**FIG. 2**



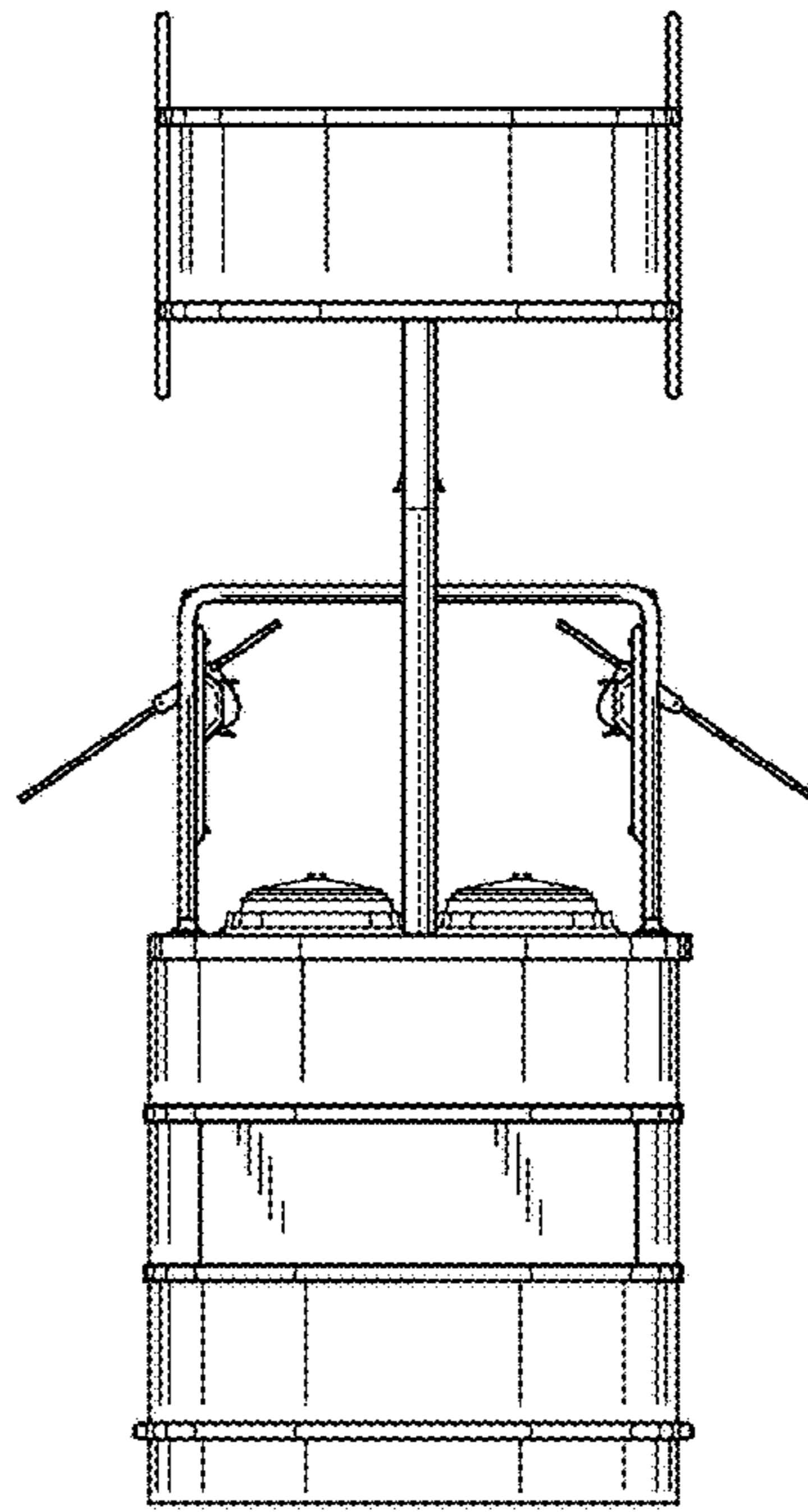
**FIG. 3**



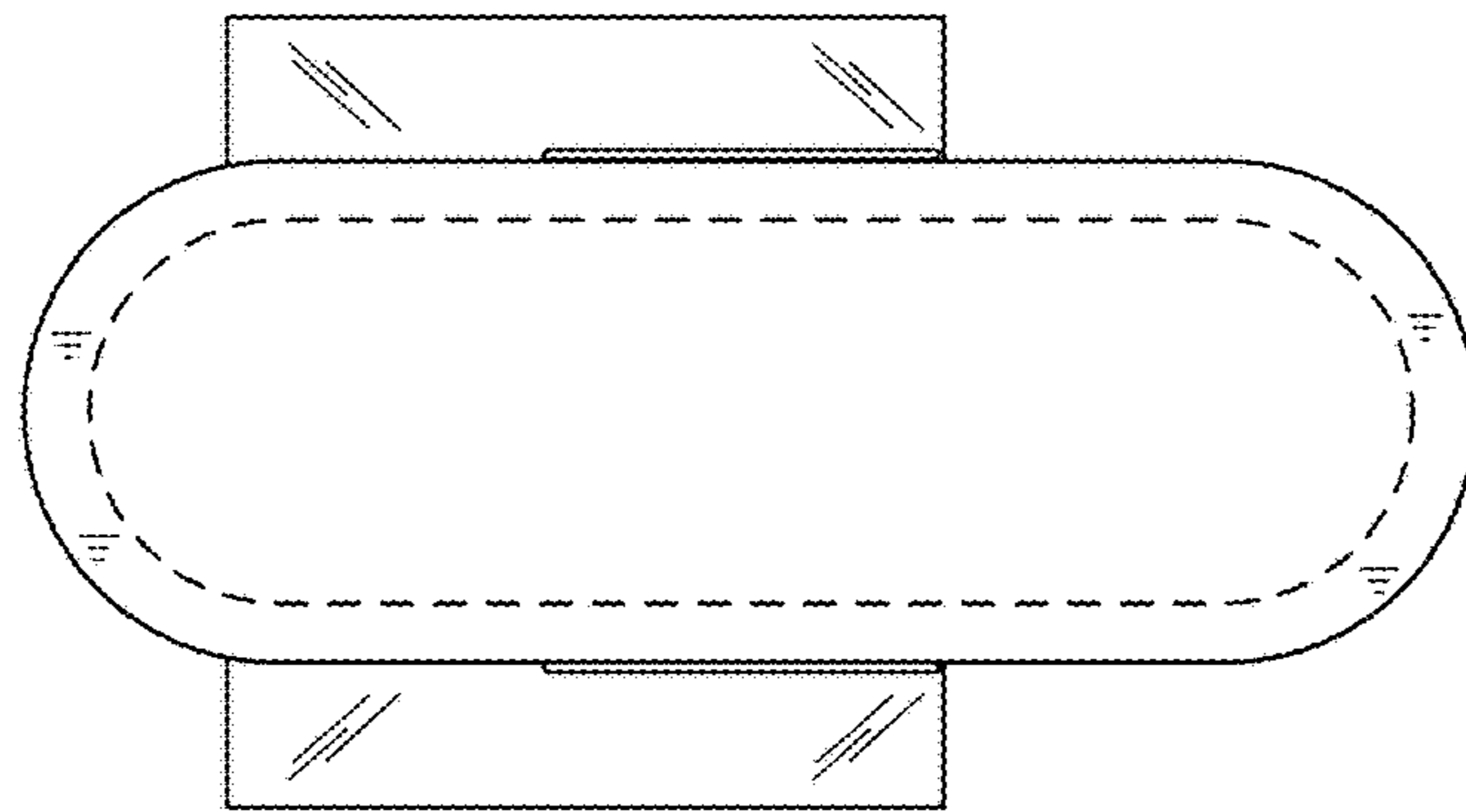
**FIG. 4**



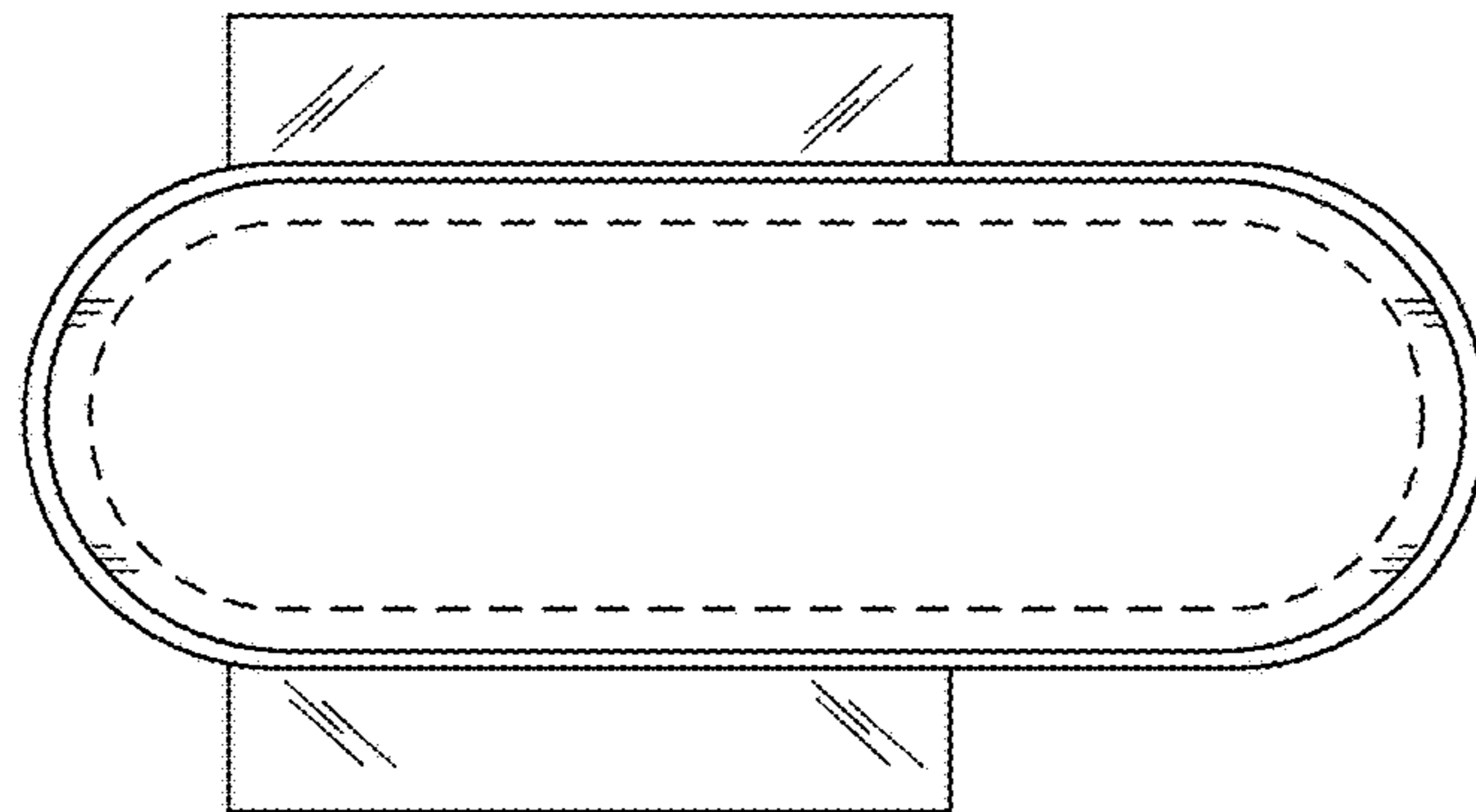
**FIG. 5**



**FIG. 6**



**FIG. 7**



**FIG. 8**