

US00D832012S

(12) **United States Design Patent**
Figueira et al.

(10) **Patent No.:** **US D832,012 S**

(45) **Date of Patent:** **** Oct. 30, 2018**

(54) **TABLE**

(71) Applicant: **Williams-Sonoma, Inc.**, San Francisco, CA (US)

(72) Inventors: **Maria Eugenia Figueira**, Brooklyn, NY (US); **Paul Loebach**, Brooklyn, NY (US)

(73) Assignee: **Williams-Sonoma, Inc.**, San Francisco, CA (US)

(**) Term: **15 Years**

(21) Appl. No.: **29/607,137**

(22) Filed: **Jun. 9, 2017**

(51) **LOC (11) Cl.** **06-03**

(52) **U.S. Cl.**
USPC **D6/696.1**; D26/93; D26/58; D6/686

(58) **Field of Classification Search**
USPC D6/644, 649, 671, 672, 675, 686, 687, D6/688.26, 688.27, 691, 691.1, 691.3, D6/691.4, 691.6, 691.8, 691.9, 693, 694, D6/695, 695.1, 696, 696.1, 696.3, 697, D6/702, 707.15, 708, 708.17, 709, 710; D26/24, 58, 93, 107

CPC A47B 13/06; A47B 2013/026; A47B 1/08; A47B 2003/0821; A47B 3/087; A47B 3/0911; A47B 3/0918; A47B 47/00; A47B 47/02; F16B 12/00; F16B 12/50; F24B 15/04; H02B 1/26; H02B 1/30

See application file for complete search history.

(56) **References Cited**

U.S. PATENT DOCUMENTS

D63,802 S * 1/1924 Pelkey D26/58
D67,894 S * 7/1925 Larsen D26/106

D76,319 S * 9/1928 Noggins D26/58
D178,612 S * 8/1956 Morris D26/58
D211,389 S * 6/1968 Vos D26/107
D243,271 S * 2/1977 McCuiston D26/58
D381,105 S * 7/1997 Swanson D26/102
D471,306 S * 3/2003 Barber D26/58
D574,990 S * 8/2008 Tsai D26/107
D609,852 S * 2/2010 Stoepker D26/107
D617,039 S * 6/2010 Sabernig D26/104
D655,033 S * 2/2012 Verelst D26/107
D755,434 S * 5/2016 Martin D26/93

* cited by examiner

Primary Examiner — Mary Ann Calabrese

Assistant Examiner — Catherine Ho

(74) *Attorney, Agent, or Firm* — Cook Alex Ltd.; R. Blake Johnston

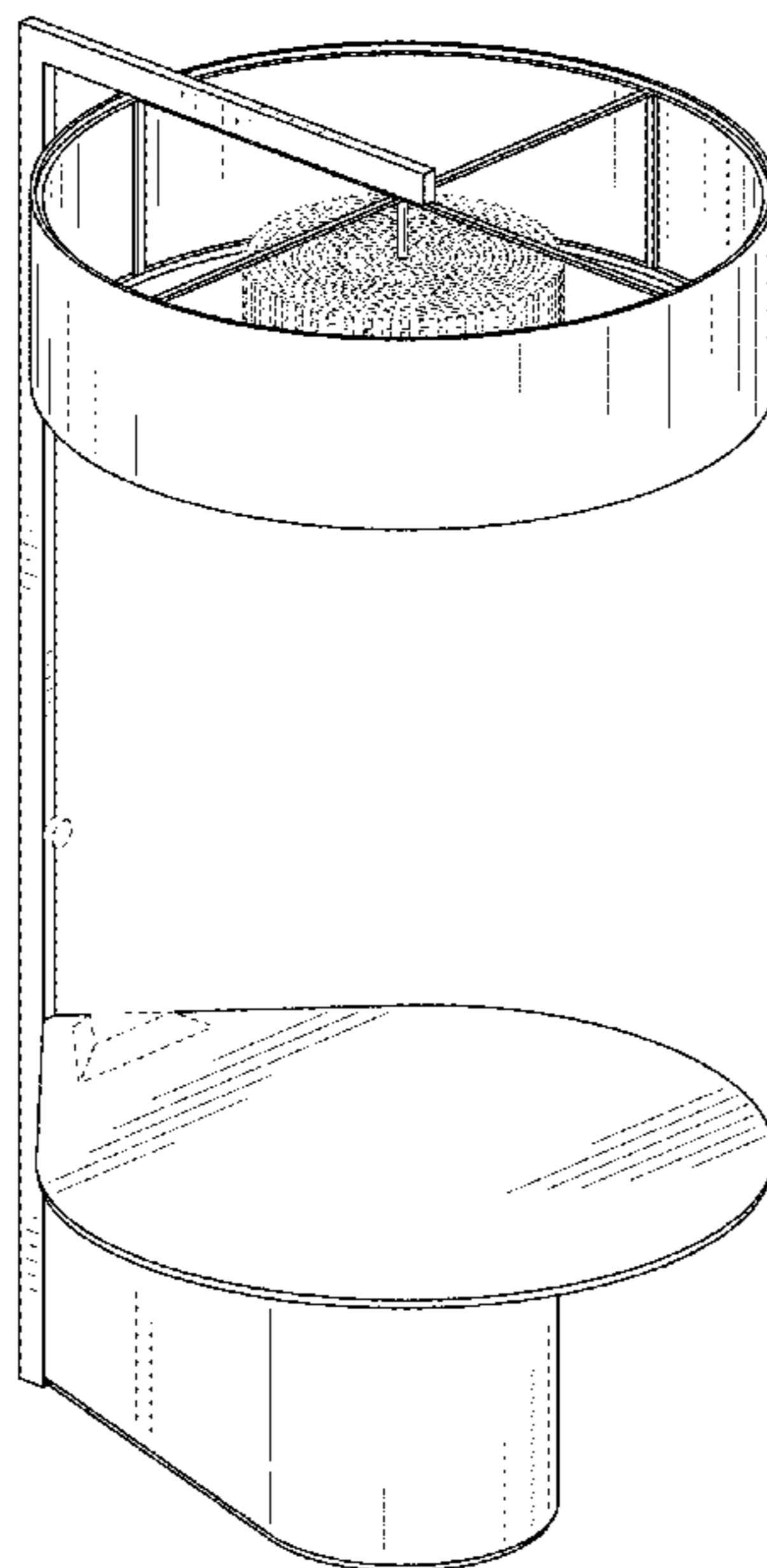
(57) **CLAIM**

The ornamental design for a table, as shown and described.

DESCRIPTION

FIG. 1 is a perspective view of the table; FIG. 2 is a front elevational view of the table; FIG. 3 is a rear elevational view of the table; FIG. 4 is a left side elevational view of the table; FIG. 5 is a right side elevational view of the table; FIG. 6 is a top plan view of the table; and, FIG. 7 is a bottom plan view of the table. The broken line portion of the figure drawings is included to show portions of the article that form no part of the claimed design.

1 Claim, 6 Drawing Sheets



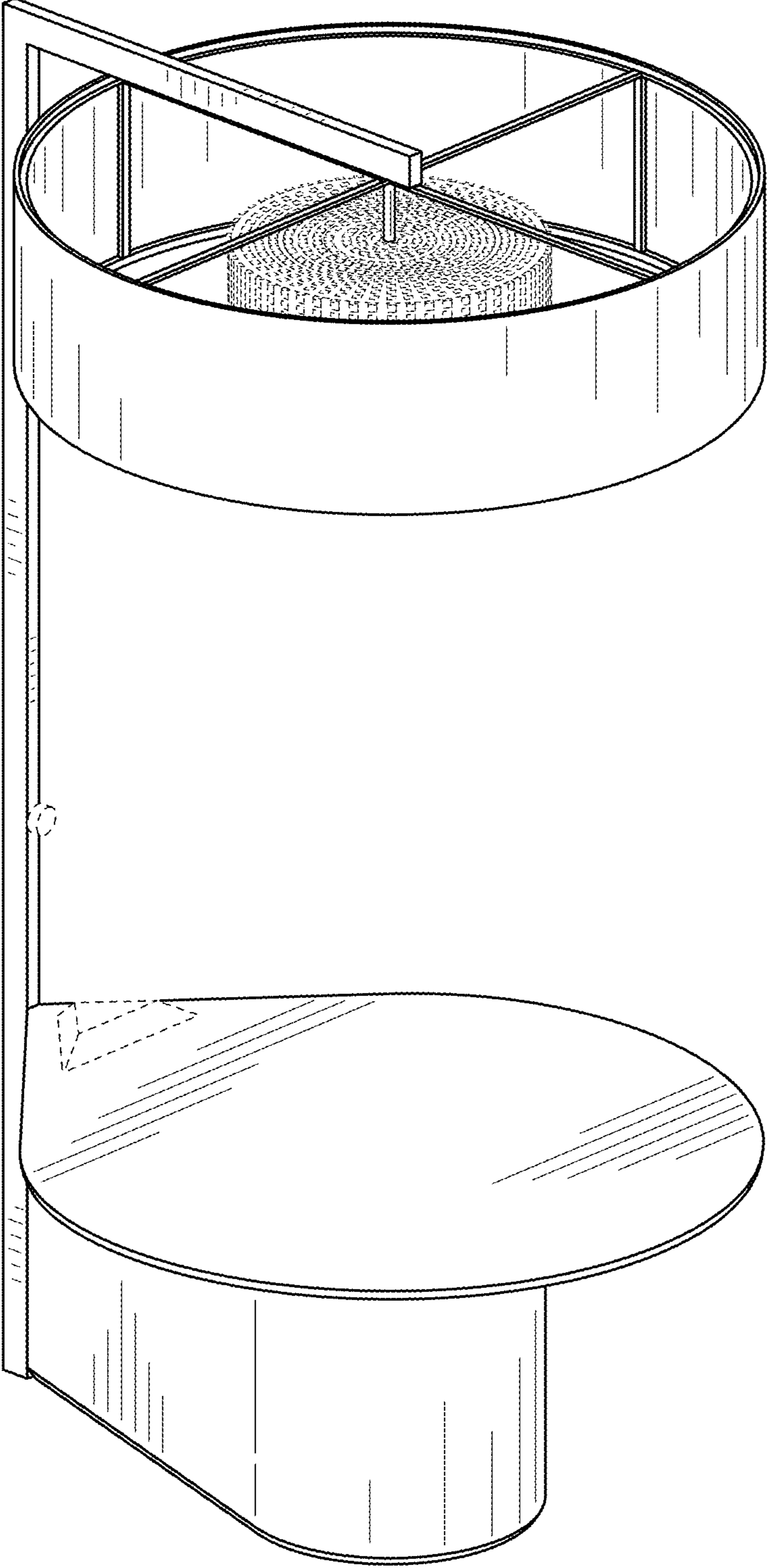


FIG. 1

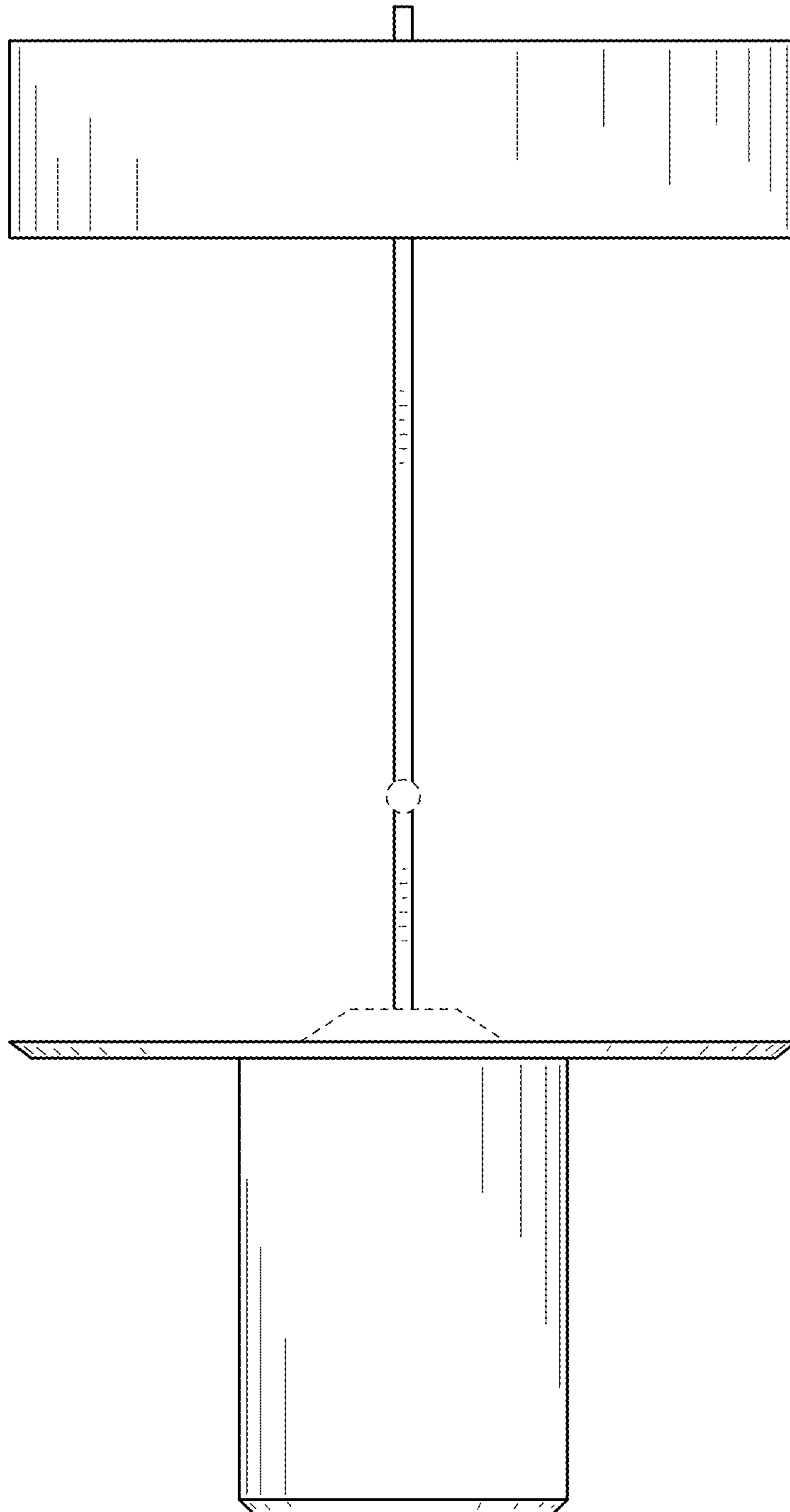


FIG. 2

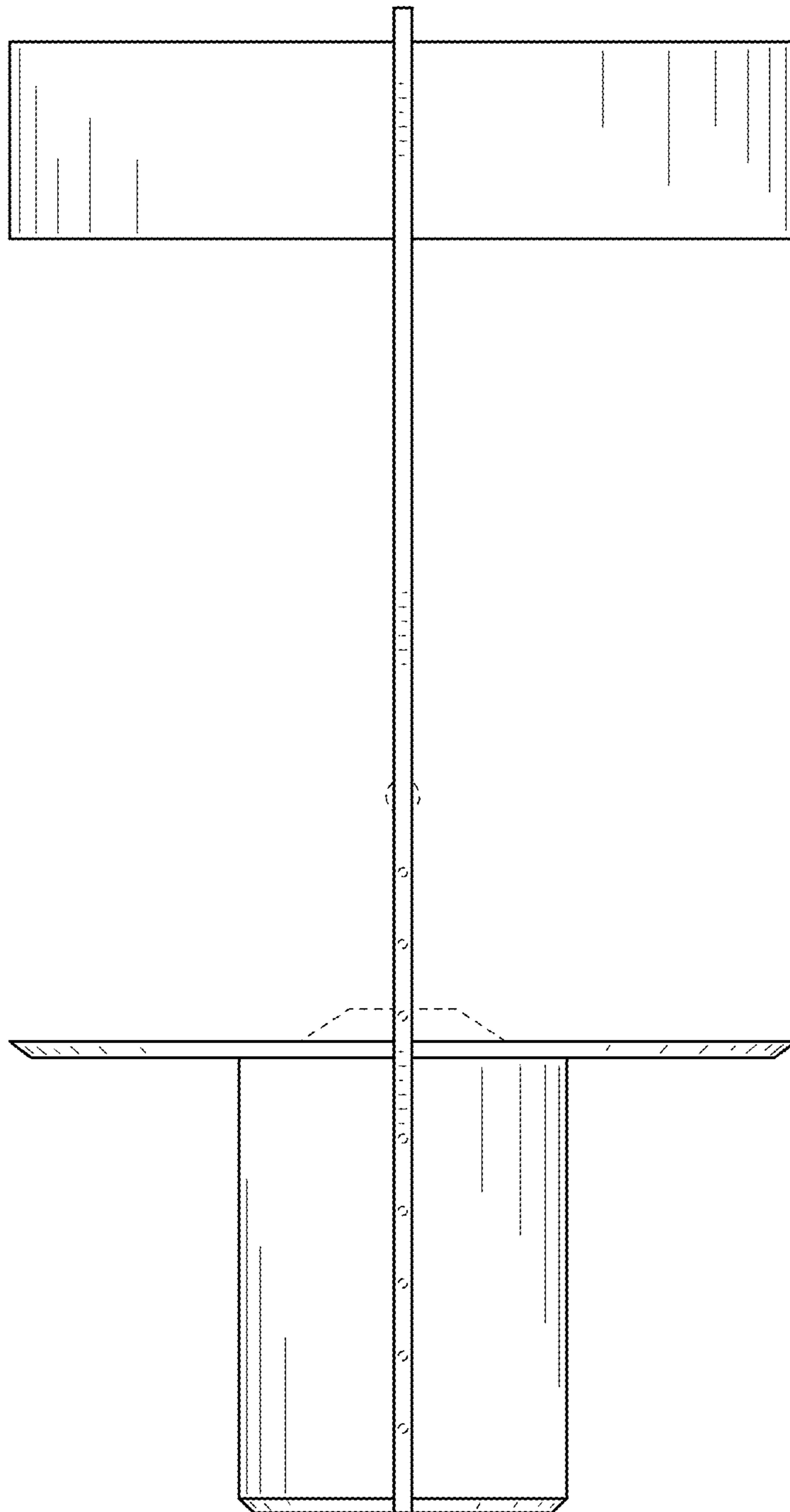


FIG. 3

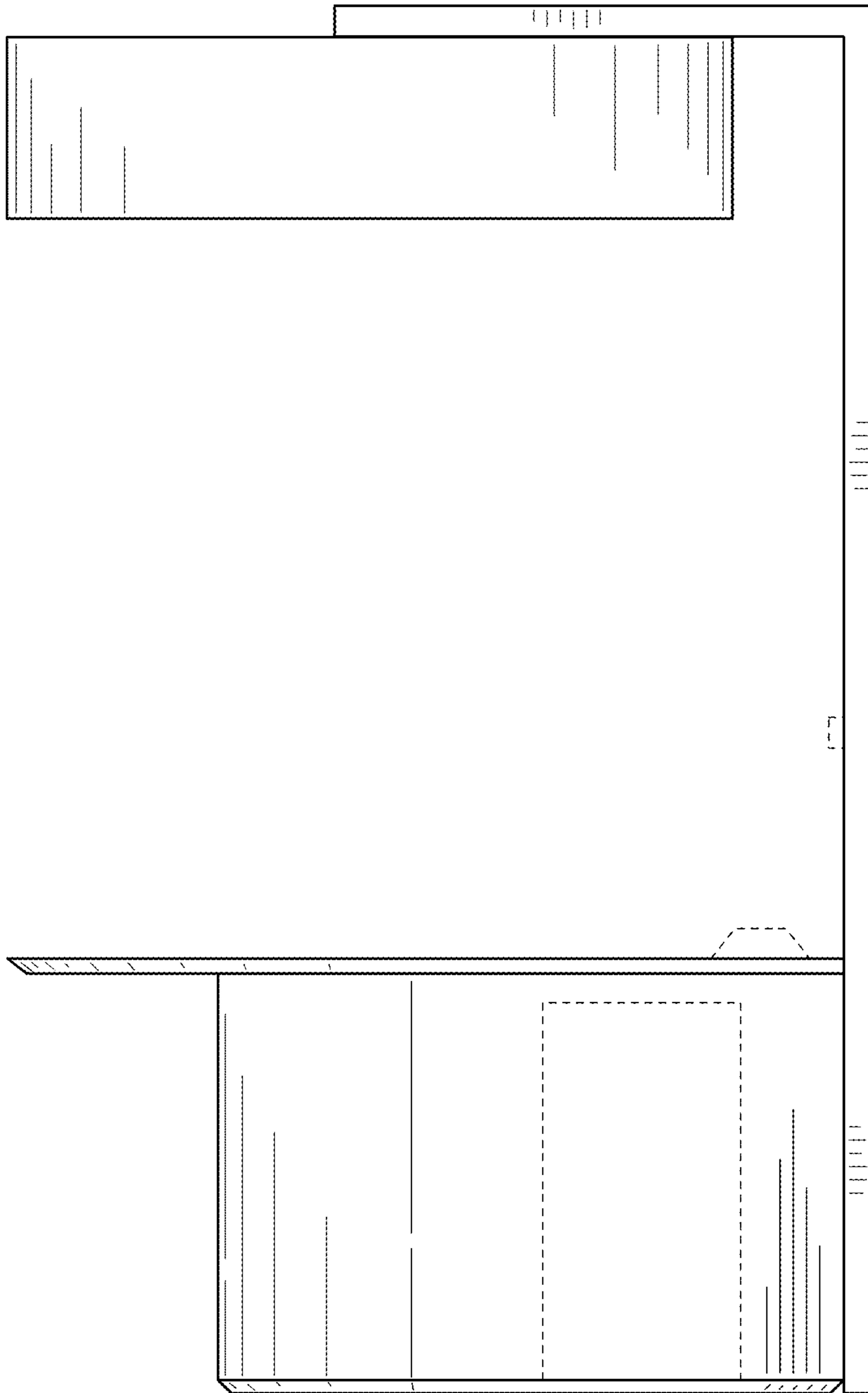


FIG. 4

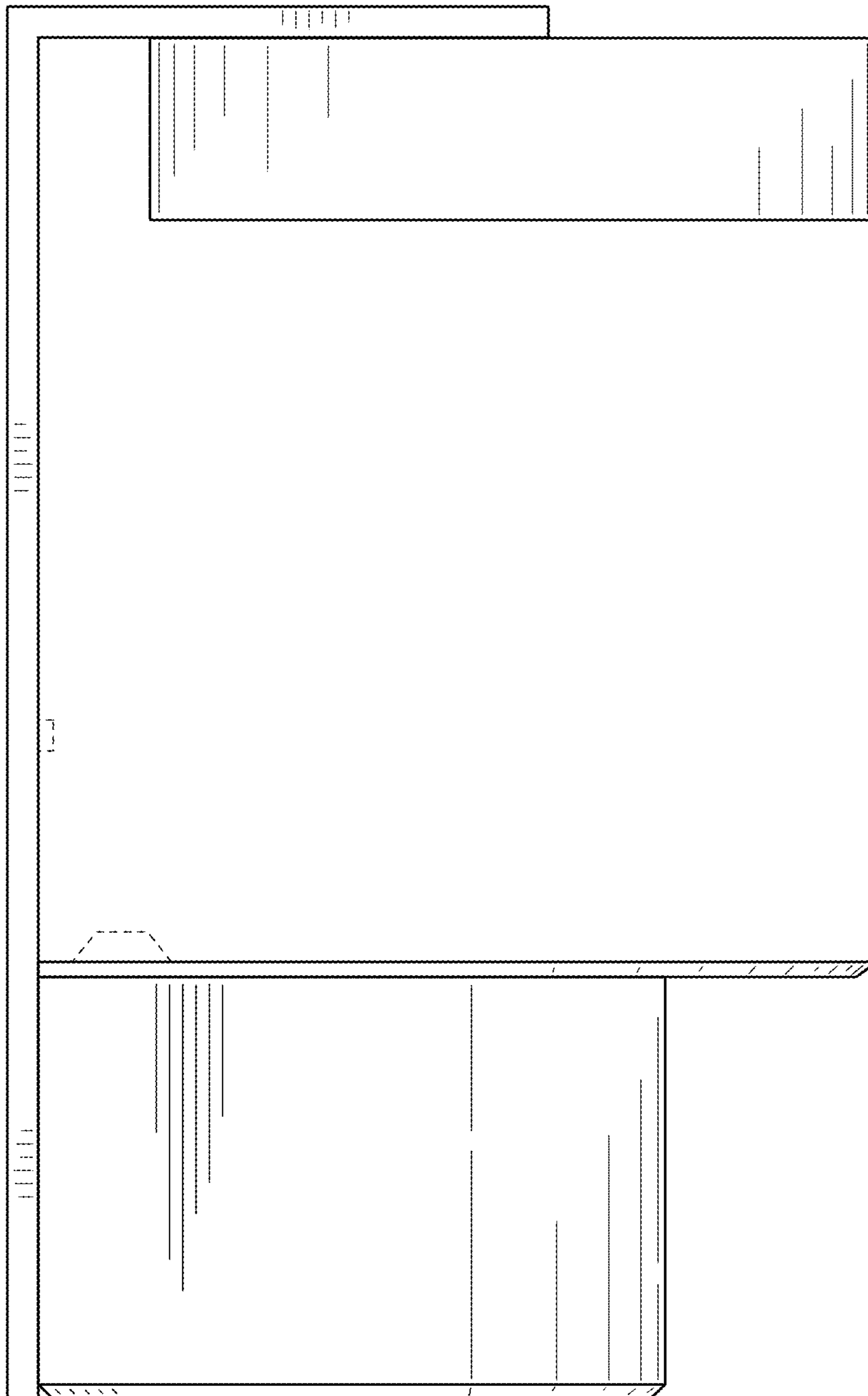


FIG. 5

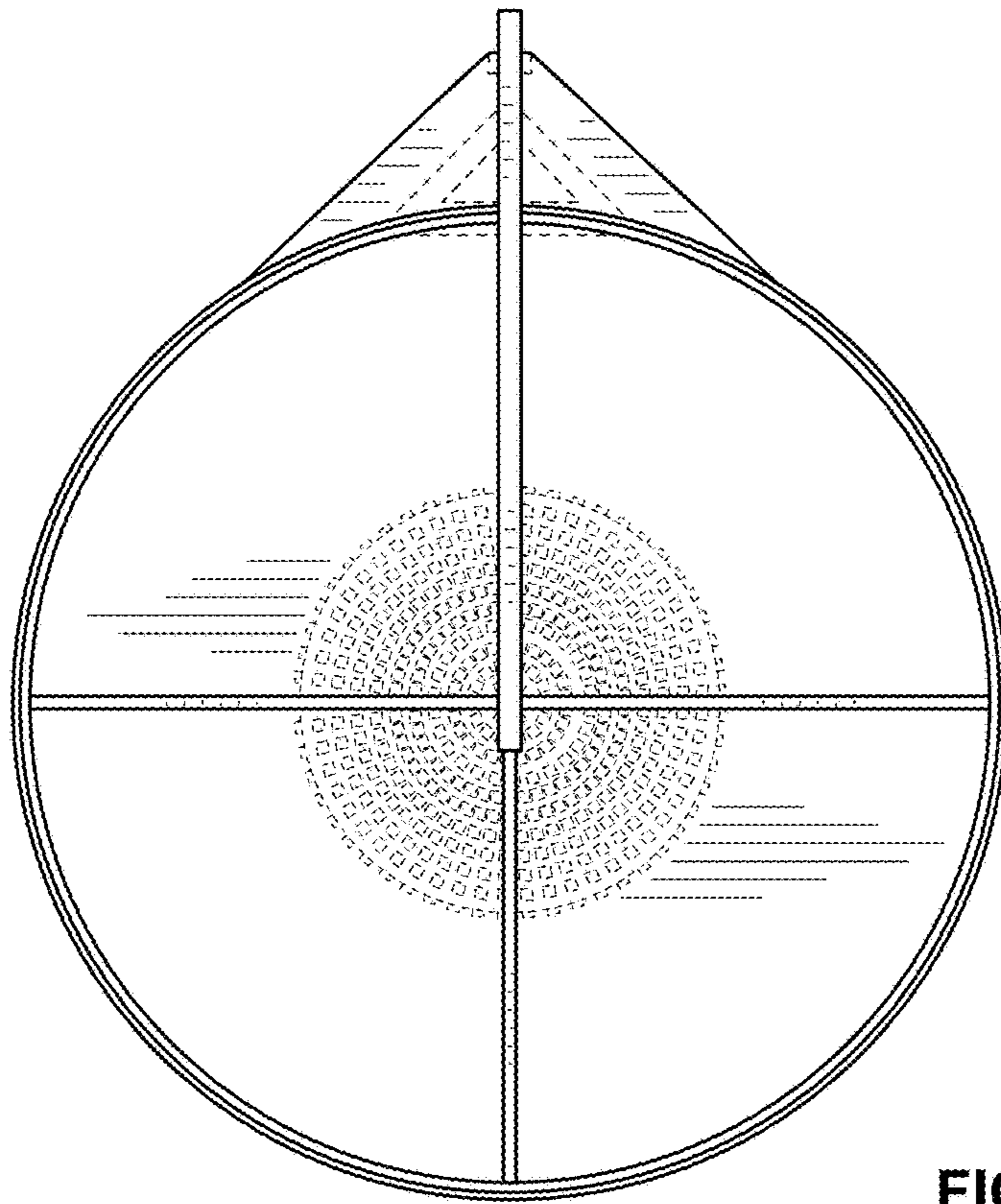


FIG. 6

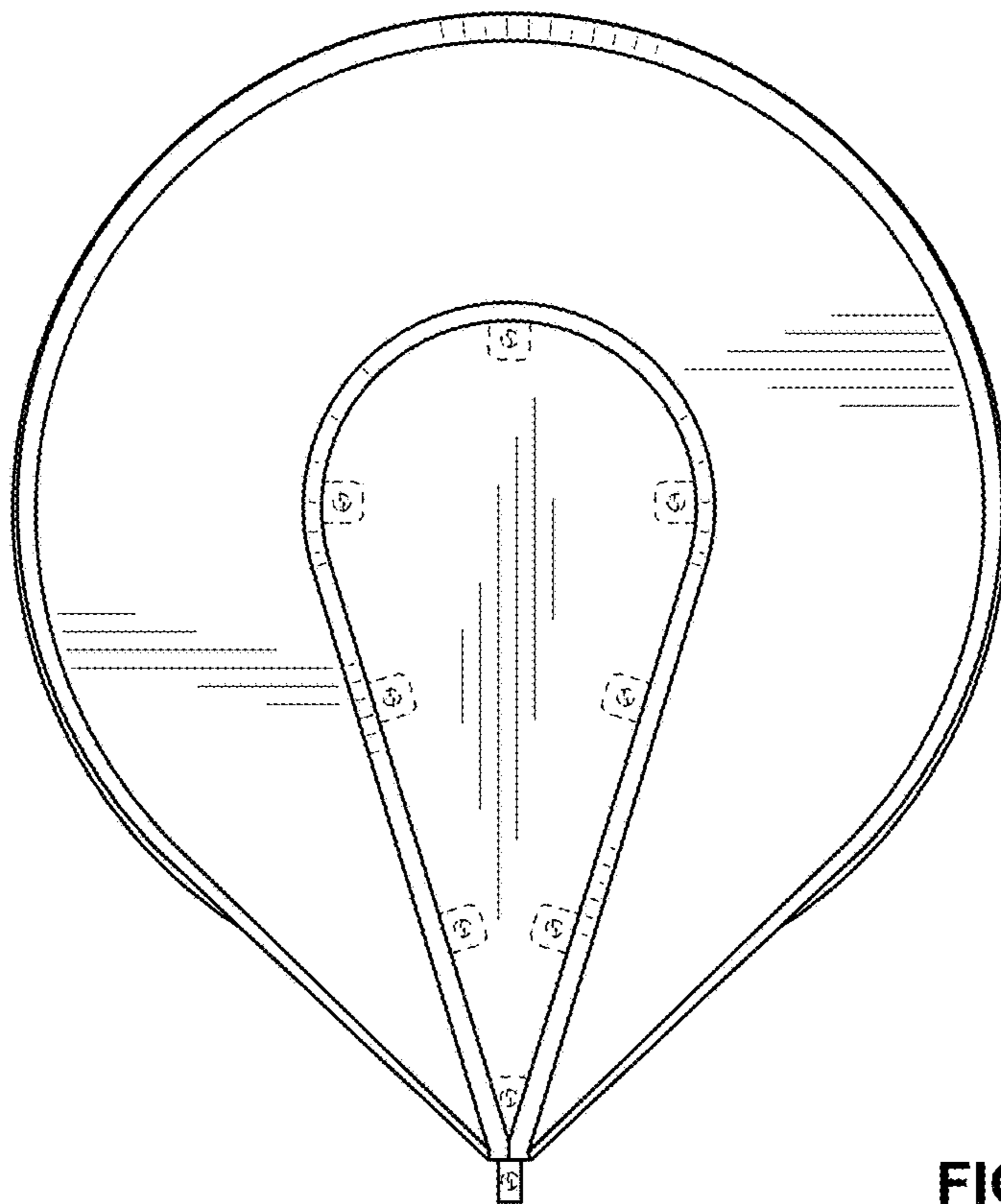


FIG. 7