



US00D832011S

(12) **United States Design Patent** (10) **Patent No.:** **US D832,011 S**
Hughes (45) **Date of Patent:** **** Oct. 30, 2018**

(54) **TABLE**

(71) Applicant: **Luke Hughes**, Salisbury (GB)
 (72) Inventor: **Luke Hughes**, Salisbury (GB)
 (73) Assignee: **LUKE HUGHES & COMPANY LIMITED**, London (GB)
 (**) Term: **15 Years**
 (21) Appl. No.: **29/605,363**
 (22) Filed: **May 25, 2017**

(30) **Foreign Application Priority Data**

Nov. 29, 2016 (GB) 6003734
 (51) **LOC (11) Cl.** **06-03**
 (52) **U.S. Cl.**
 USPC **D6/691.6; D6/691.5**
 (58) **Field of Classification Search**
 USPC D6/641, 657, 675.2, 675.3, 675.4, 675.5,
 D6/685, 686, 689, 690, 691, 691.1, 691.2,
 D6/691.3, 691.4, 691.5, 691.6, 691.7,
 D6/691.8, 691.9, 699, 699.1, 699.2,
 D6/699.3, 699.4, 699.5, 702, 705, 705.6,
 D6/707, 707.15, 707.19, 708, 709
 CPC .. A47B 37/00; A47B 3/00; A47B 1/00; A47B
 3/06; A47B 3/08; A47B 3/0912; A47B
 7/00; A47B 21/00; A47B 23/00; A47B
 25/00; A47B 13/08; A47B 3/083; A47B
 3/14; A47B 41/00; A47B 17/00; A47B
 3/0809; A47B 3/0812; A47B 2013/026;
 A47B 2200/03; A47B 2200/00; A47B
 2003/0821; A47C 3/045
 See application file for complete search history.

(56) **References Cited**

U.S. PATENT DOCUMENTS

D72,151 S *	3/1927	Guth	D6/691
D72,344 S *	4/1927	Bach	D6/688.24
D72,363 S *	4/1927	Erskine	D6/691
D248,139 S *	6/1978	Petersen	D6/691.5
D334,678 S *	4/1993	Hinden	D6/656.13
D399,682 S *	10/1998	Lepper	D6/656.17
D410,806 S *	6/1999	Olson	D6/656.16
D553,883 S *	10/2007	DeJule	D6/709
D560,084 S *	1/2008	Glass	D6/656.17
D560,085 S *	1/2008	Glass	D6/656.17
D644,046 S *	8/2011	Cronk	D6/656.17
2002/0148394 A1 *	10/2002	Strong	A47B 9/14 108/147.21

* cited by examiner

Primary Examiner — Mary Ann Calabrese
Assistant Examiner — Catherine Ho
 (74) *Attorney, Agent, or Firm* — Flynn Thiel, P.C.

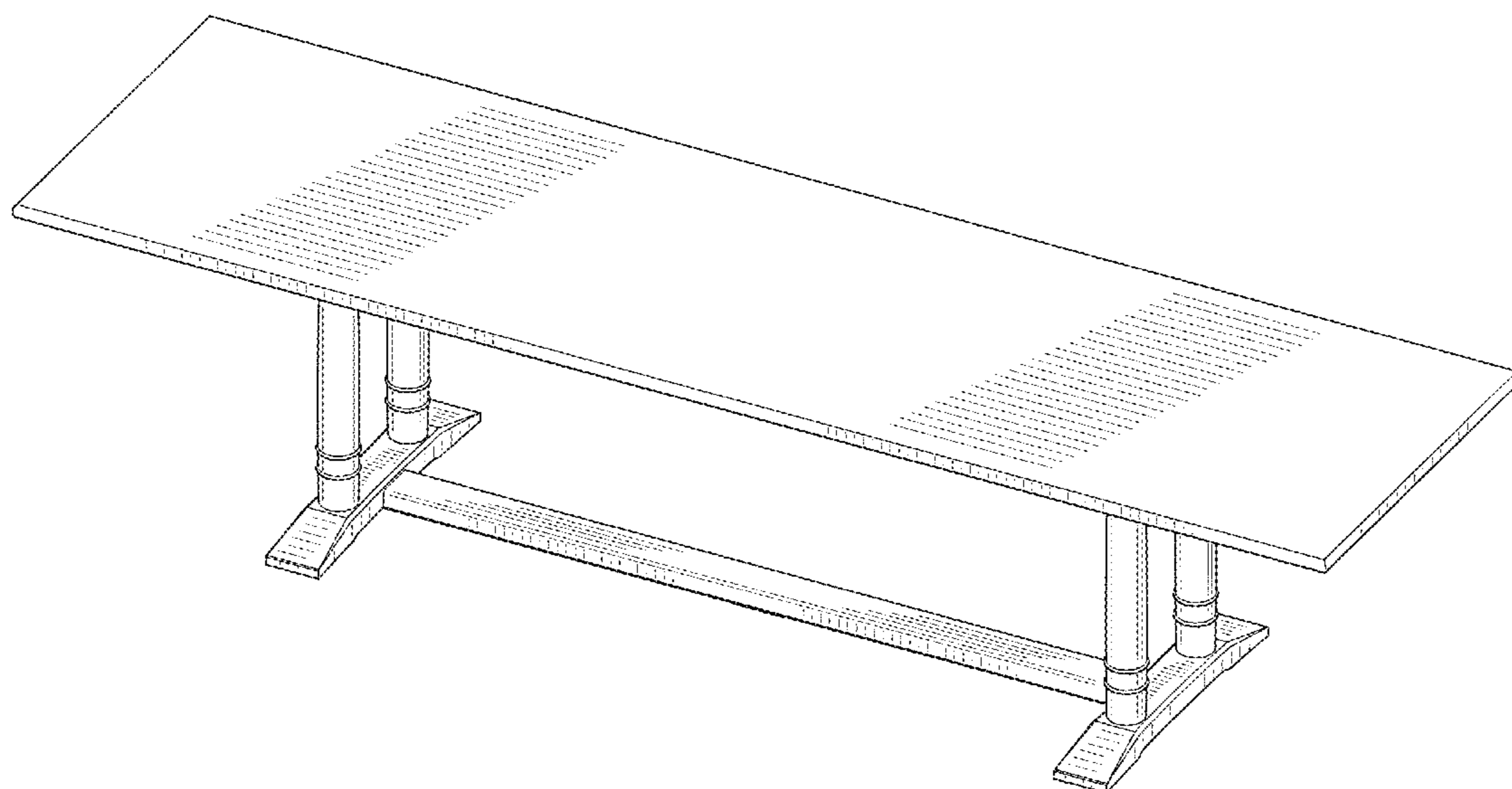
(57) **CLAIM**

The ornamental design for a table, as shown and described.

DESCRIPTION

FIG. 1 is a top perspective view of a table showing my new design;
 FIG. 2 is a front side view thereof;
 FIG. 3 is a rear side view thereof;
 FIG. 4 is a left side view thereof;
 FIG. 5 is a right side view thereof;
 FIG. 6 is a top view thereof;
 FIG. 7 is a bottom view thereof; and,
 FIG. 8 is a bottom perspective view thereof.

1 Claim, 8 Drawing Sheets



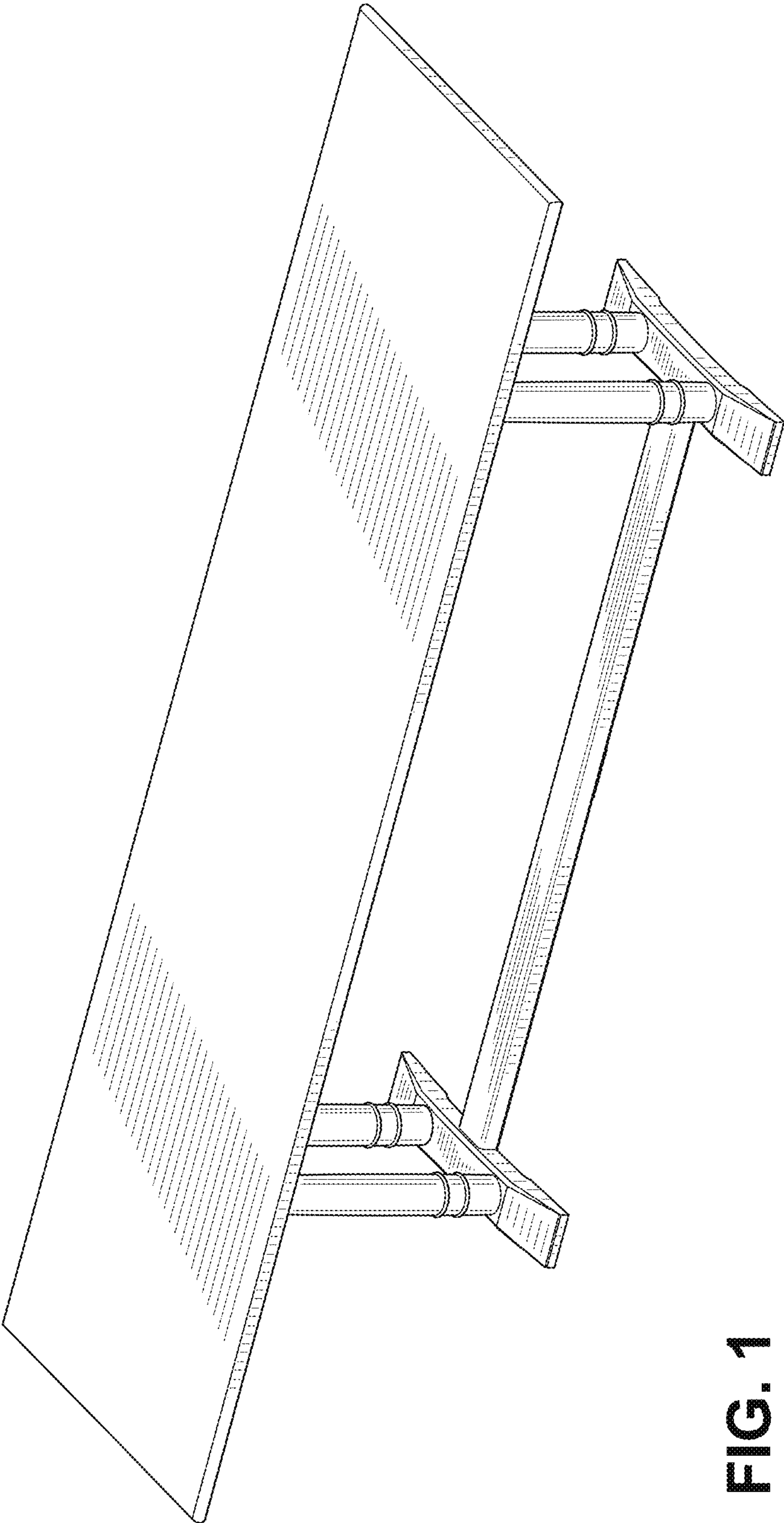


FIG. 1

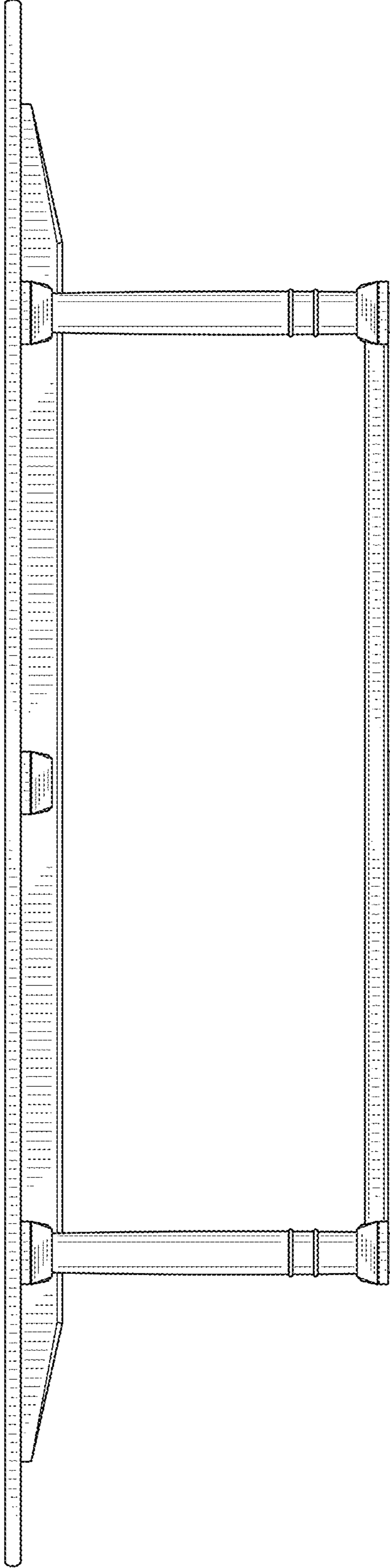


FIG. 2

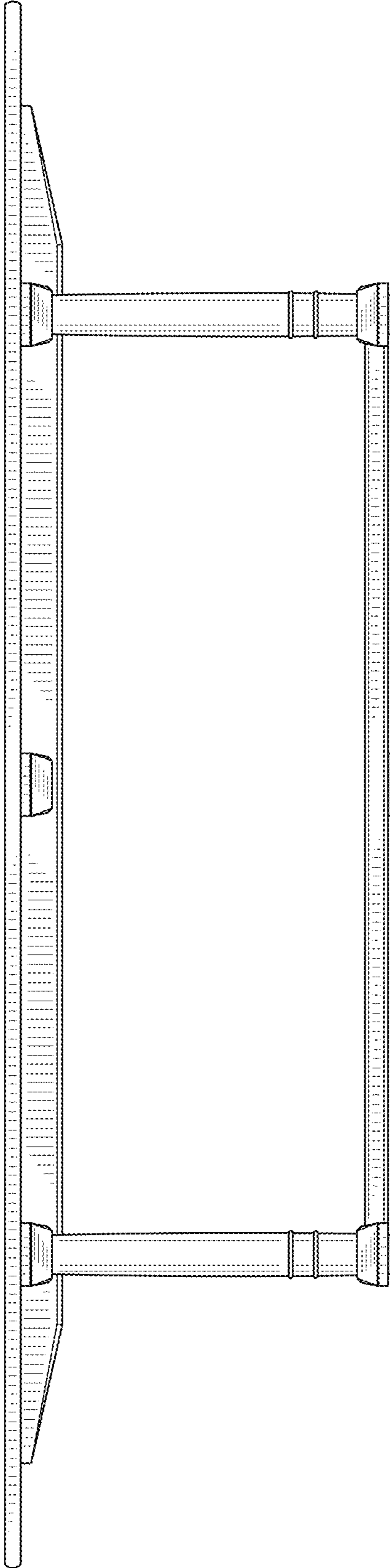


FIG. 3

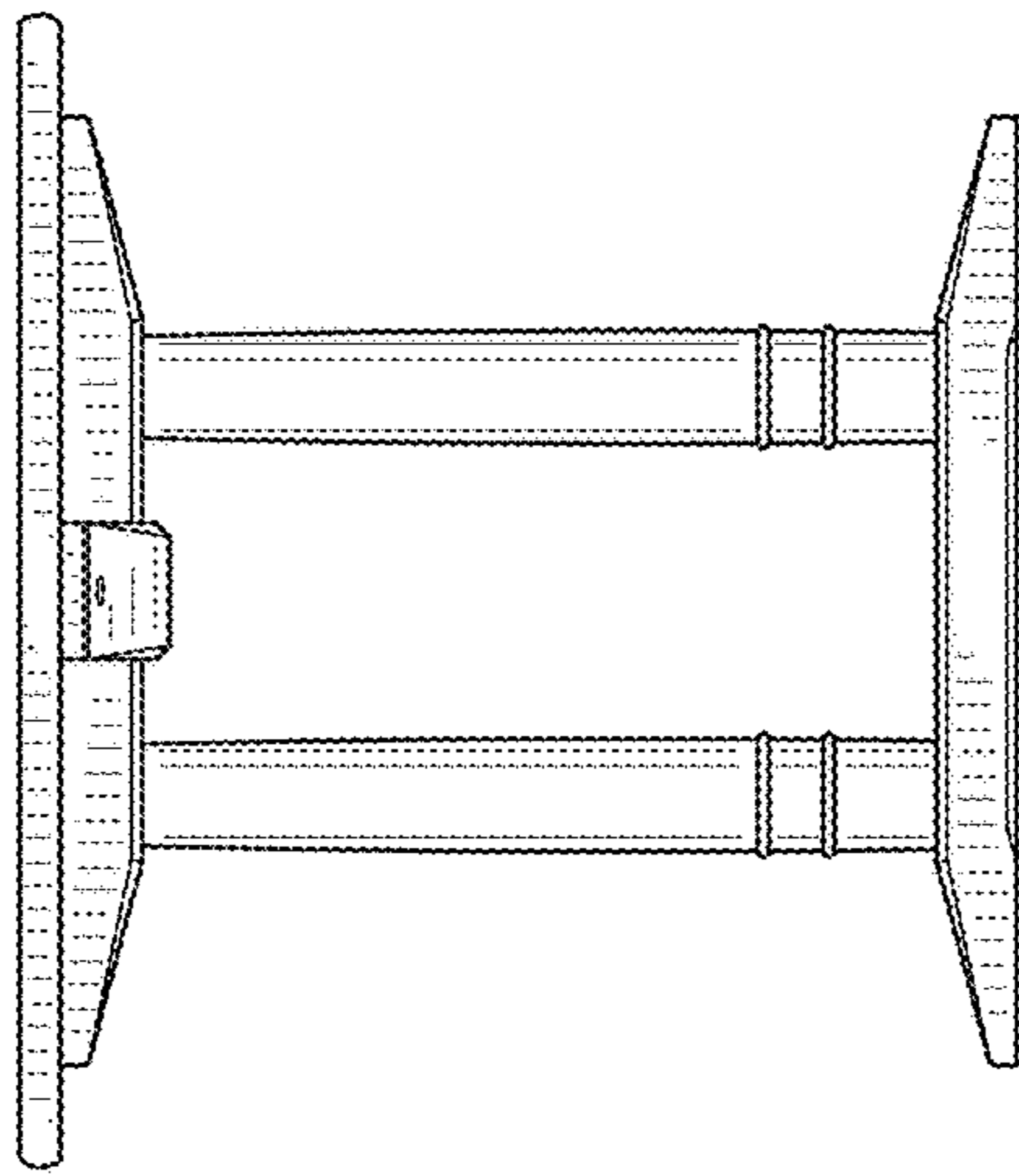


FIG. 4

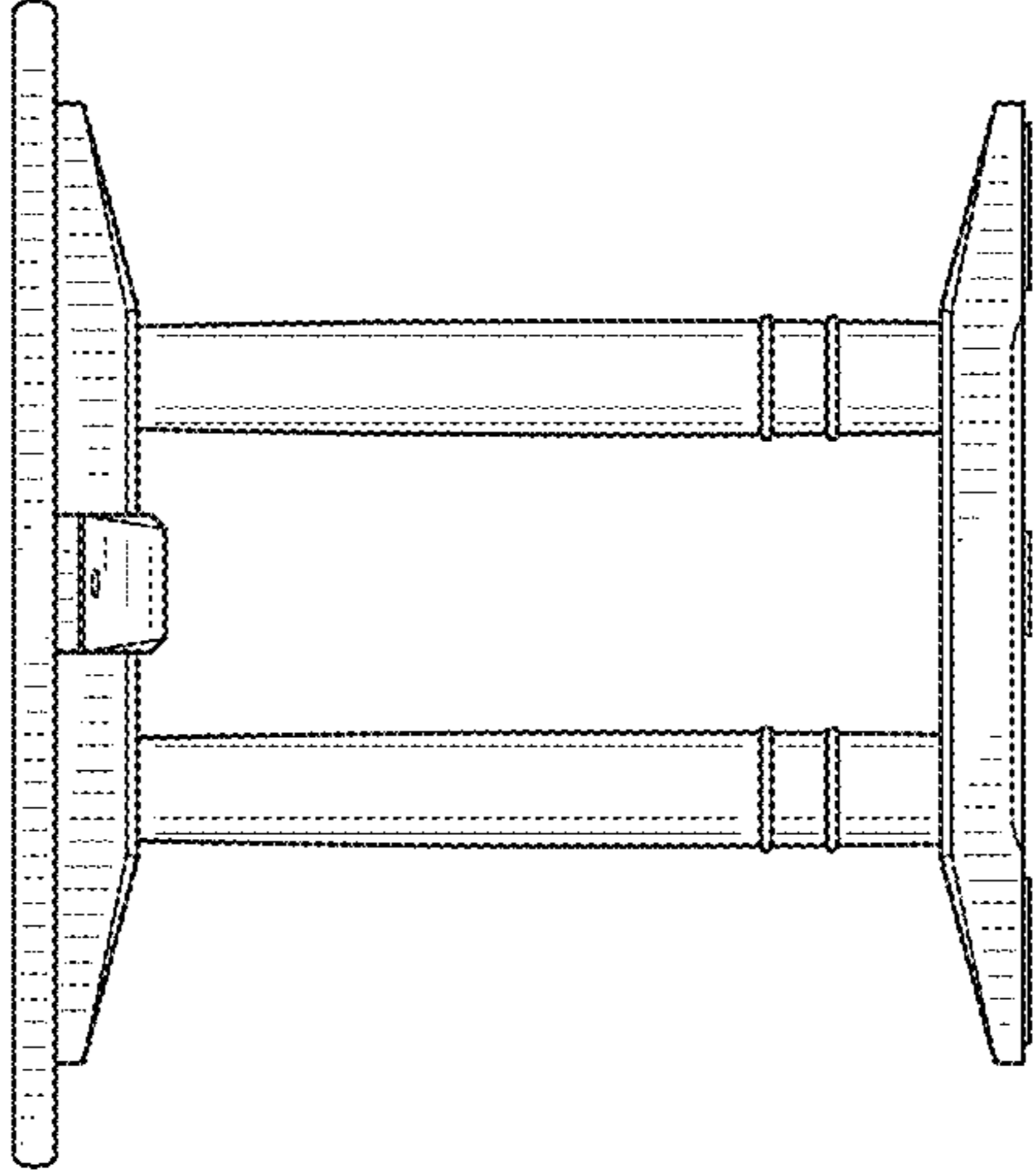


FIG. 5

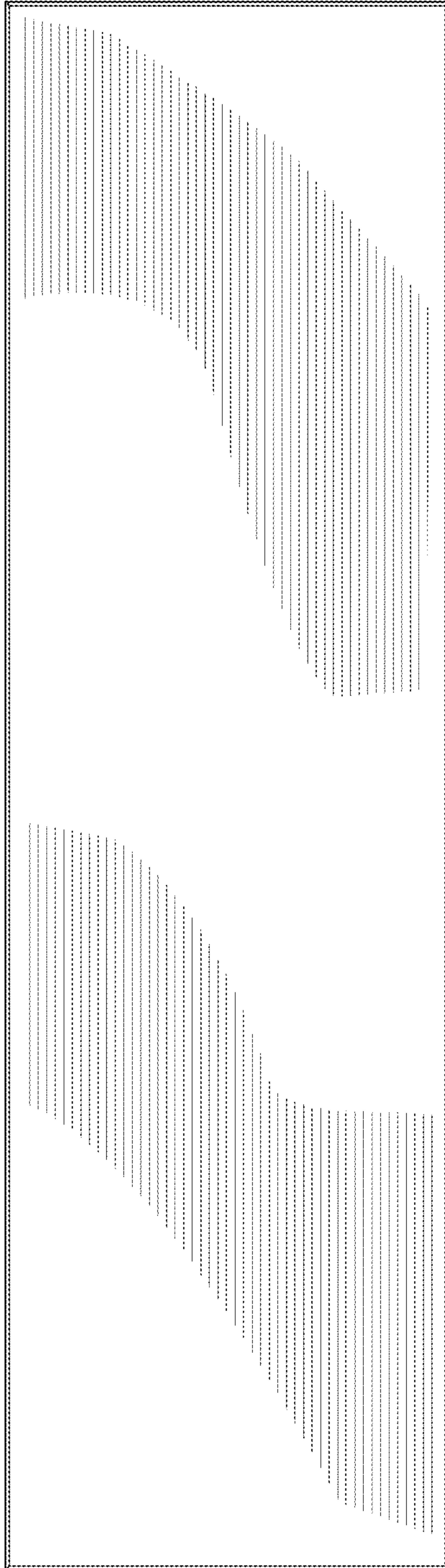


FIG. 6

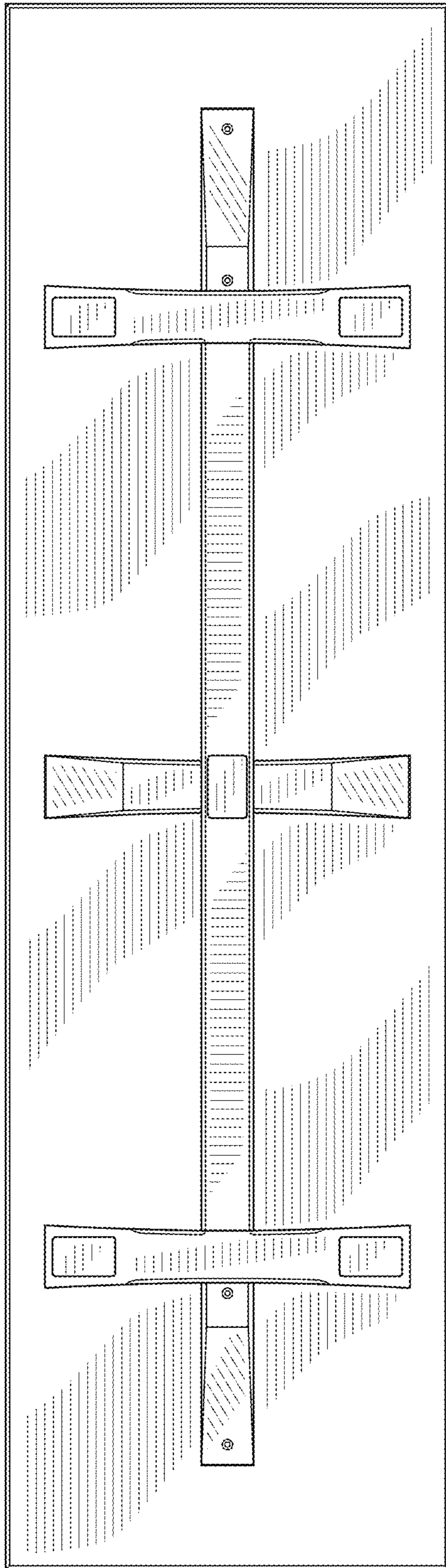


FIG. 7

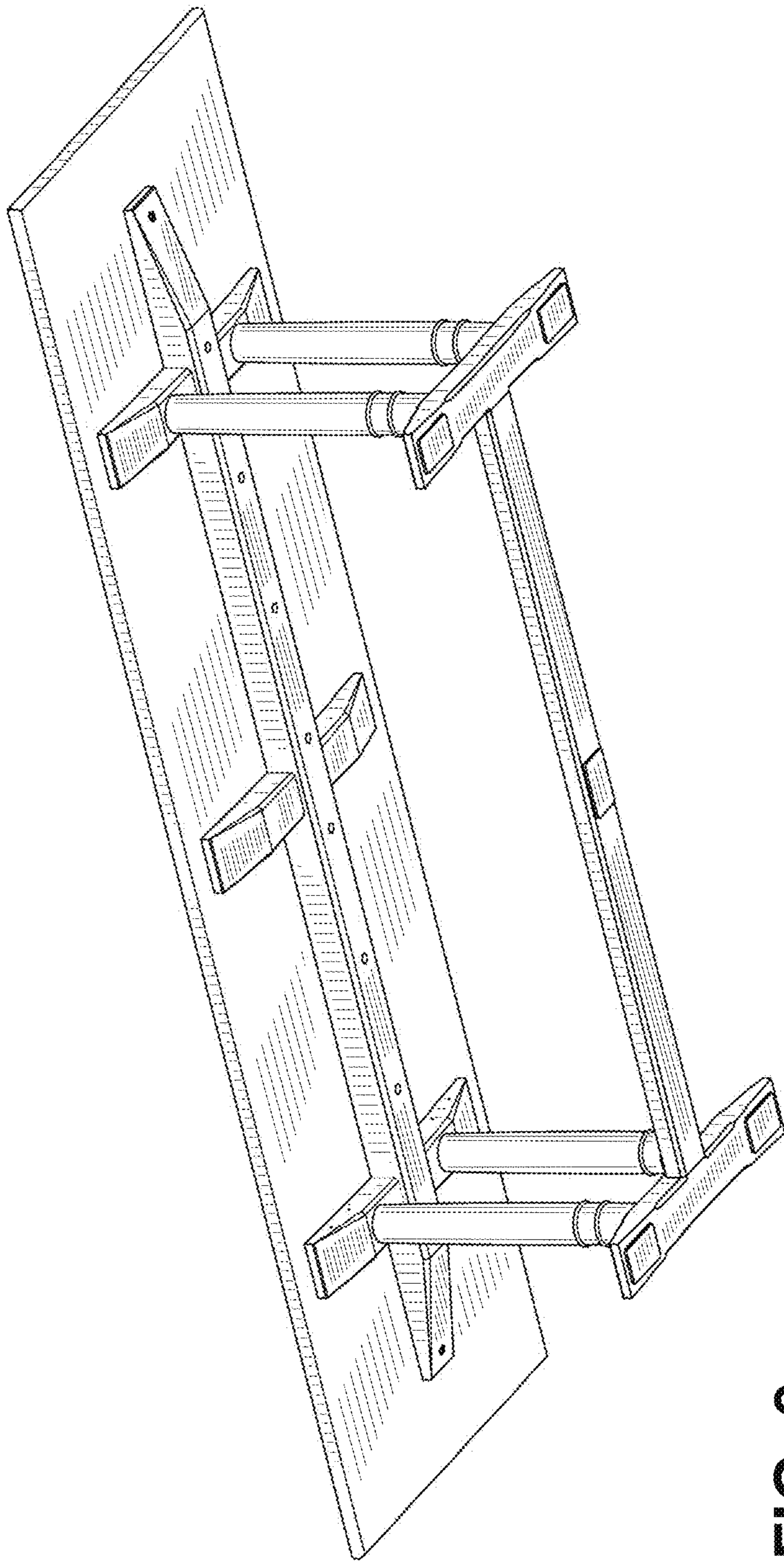


FIG. 8