



US00D832010S

(12) **United States Design Patent**
Tsukii

(10) **Patent No.:** **US D832,010 S**

(45) **Date of Patent:** **** Oct. 30, 2018**

(54) **FLIP TOP TABLE**

(74) *Attorney, Agent, or Firm* — Eugene Vamos

(71) Applicant: **Toshikazu Tsukii**, Oro Valley, AZ (US)

(72) Inventor: **Toshikazu Tsukii**, Oro Valley, AZ (US)

(57) **CLAIM**

(**) Term: **15 Years**

The ornamental design for a flip top table, as shown and described.

(21) Appl. No.: **29/653,002**

(22) Filed: **Jun. 12, 2018**

DESCRIPTION

Related U.S. Application Data

(62) Division of application No. 29/602,302, filed on Apr. 30, 2017.

(51) **LOC (11) Cl.** **06-03**

(52) **U.S. Cl.**
USPC **D6/686**; D6/691.5; D6/691.6

(58) **Field of Classification Search**
USPC D6/353, 368, 686, 687, 688.11, 688.19,
D6/691, 691.1–691.9, 692, 692.2, 692.5,
(Continued)

FIG. 1 is a perspective view of a flip top table showing my new design;
FIG. 2 is a front elevation view of the flip top table, the back elevation view being a mirror image;
FIG. 3 is a left side elevation view of the flip top table, the right side elevation view being a mirror image;
FIG. 4 is a top plan view of the flip top table;
FIG. 5 is a bottom plan view of the flip top table;
FIG. 6 is a perspective view of the flip top table in a first alternate position;
FIG. 7 is a front elevation view of the flip top table in a first alternate position, the back elevation view being a mirror image;
FIG. 8 is a left side elevation view of the flip top table in a first alternate position, the right side elevation view being a mirror image;
FIG. 9 is a top plan view of the flip top table in a first alternate position;
FIG. 10 is a bottom plan view of the flip top table in a first alternate position;
FIG. 11 is a perspective view of the flip top table in a second alternate position;
FIG. 12 is a front elevation view of the flip top table in a second alternate position, the back elevation view being a mirror image;
FIG. 13 is a left side elevation view of the flip top table in a second alternate position, the right side elevation view being a mirror image;
FIG. 14 is a top plan view of the flip top table in a second alternate position; and,
FIG. 15 is a bottom plan view of the flip top table in a second alternate position.

(56) **References Cited**

U.S. PATENT DOCUMENTS

D367,379 S * 2/1996 Nicholson D6/691.5
D649,810 S * 12/2011 Martin D6/702
(Continued)

OTHER PUBLICATIONS

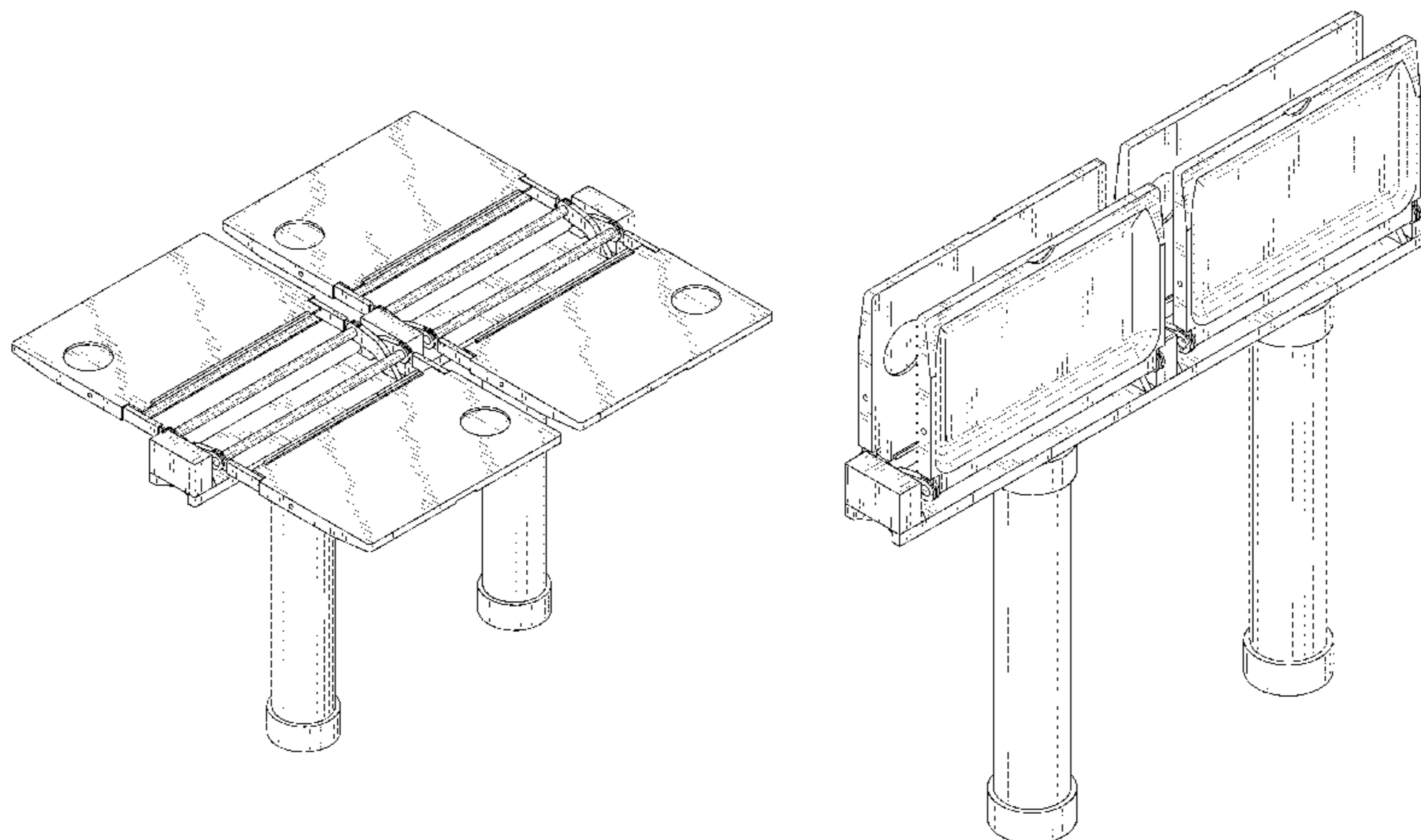
ANA Boeing, posted at Flyertalk.com, posted on Aug. 7, 2014, site visited Aug. 28, 2018. online, available from internet: <https://www.flyertalk.com/forum/trip-reports/1601710-ana-boeing-787-9-inaugural-hnd-fuk-aug-7-2014-a.html>.*

(Continued)

Primary Examiner — Mary Ann Calabrese

Assistant Examiner — Catherine Ho

(Continued)



The broken lines are for environmental purposes only and form no part of the claimed design. The design shown is not be limited to any particular size and may be scaled larger or smaller.

1 Claim, 13 Drawing Sheets

(58) Field of Classification Search

USPC D6/692.6, 707, 707.12, 707.18, 707.19,
D6/707.2, 708, 708.16, 709, 709.18,
D6/709.19

CPC .. A47B 37/00; A47B 3/00; A47B 1/00; A47B
3/06; A47B 3/08; A47B 7/00; A47B
21/00; A47B 23/00; A47B 25/00; A47B
13/08; A47B 3/083; A47B 3/14; A47B
41/00; A47B 17/00; A47B 3/045; A47B
3/0809; A47B 3/0812; A47B 2013/026;
A47B 2200/03; A47B 2200/00; A47B
2003/0821; A47B 5/006; A47C 3/045;
B60N 3/007; B64D 11/0638; B64D 11/00

See application file for complete search history.

(56) References Cited

U.S. PATENT DOCUMENTS

D794,985 S * 8/2017 Tsuchiyama D6/709
9,751,630 B1 * 9/2017 Melton B64D 11/0638
9,791,098 B2 * 10/2017 Boyer F16M 13/022

9,958,956 B2 * 5/2018 Jiang G06F 3/0233
2005/0178297 A1 * 8/2005 Pipkin A47B 23/00
108/25
2011/0121147 A1 * 5/2011 Nyenhuis A47B 3/00
248/201
2013/0093220 A1 * 4/2013 Pajic A47C 7/70
297/163
2014/0327278 A1 * 11/2014 Curtis A47B 83/02
297/163
2015/0061327 A1 * 3/2015 Millan B60N 3/004
297/163
2015/0282608 A1 * 10/2015 Sakanoue B60N 3/002
108/42
2016/0167555 A1 * 6/2016 Allen B64D 11/0638
108/40

OTHER PUBLICATIONS

Test Driving, posted at Pizzainmotion.boardingarea.com, posted on Jun. 28, 2016, site visited Jun. 28, 2018. online, available from internet: <https://pizzainmotion.boardingarea.com/2016/06/28/test-driving-new-united-airlines-domestic-first-class-seat/>.*

This New Airline Seat-Back Tray, posted at Cntraveler.com, posted on Jan. 27, 2014, site visited Jun. 28, 2018. online, available from internet : <https://www.cntraveler.com/stories/2014-01-27/new-airline-seat-back-tray>.*

SmartTray, posted at Crankyflier.com, posted on Oct. 10, 2013, site visited Jun. 28, 2018. online, available from internet: <http://crankyflier.com/2013/10/10/smarttray-sometimes-its-the-simplest-things-that-grab-your-attention/>.*

* cited by examiner

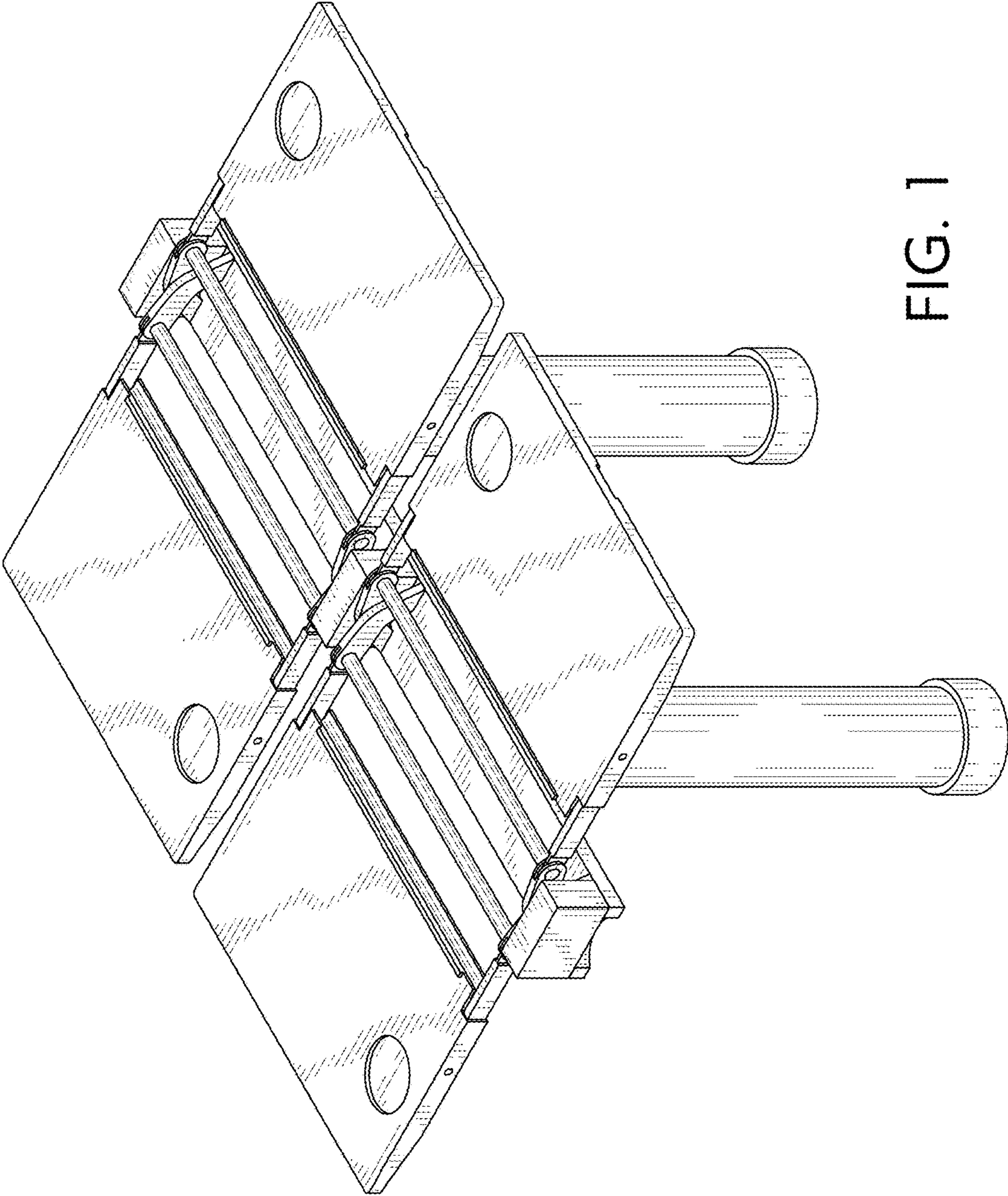


FIG. 1

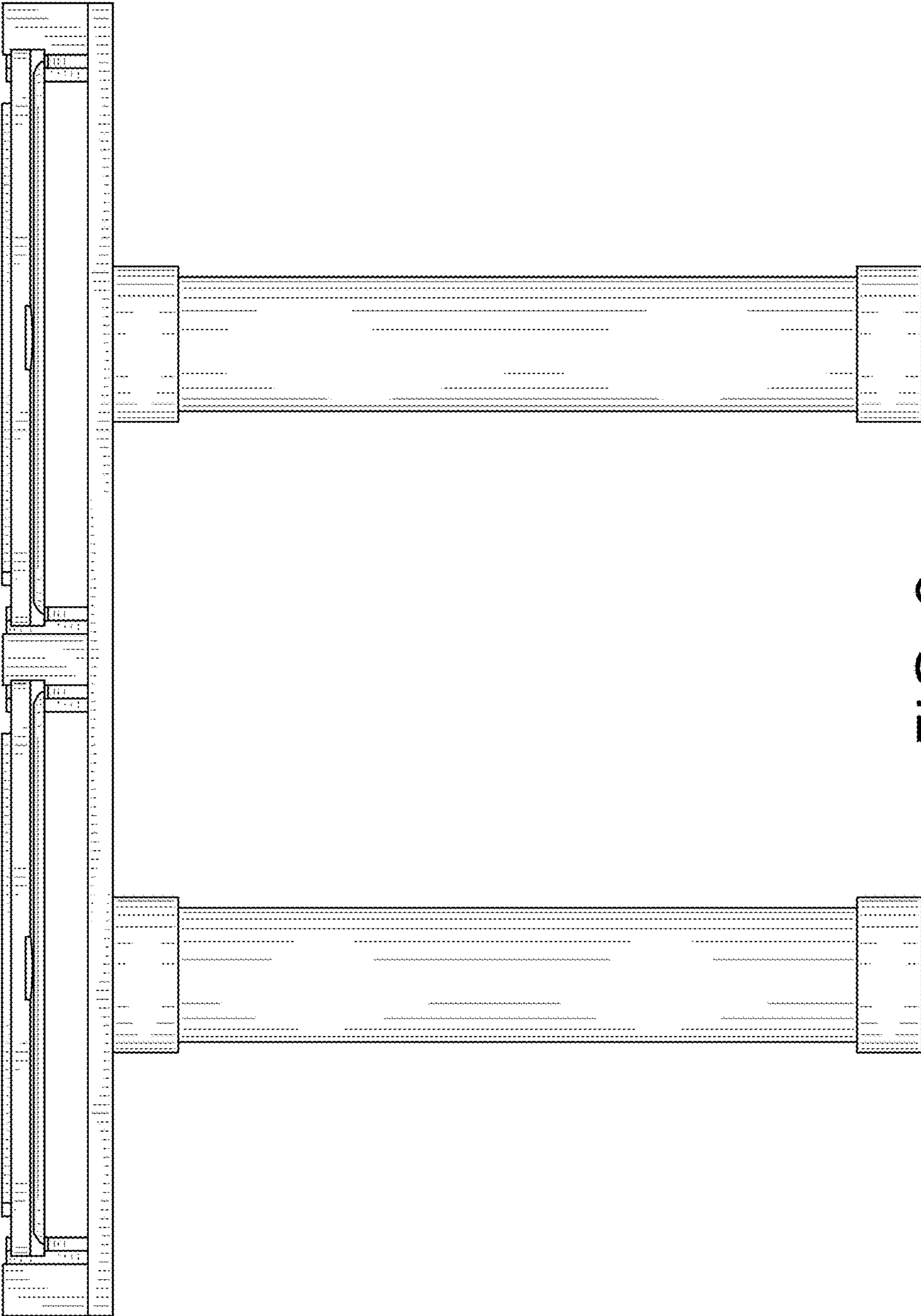


FIG. 2

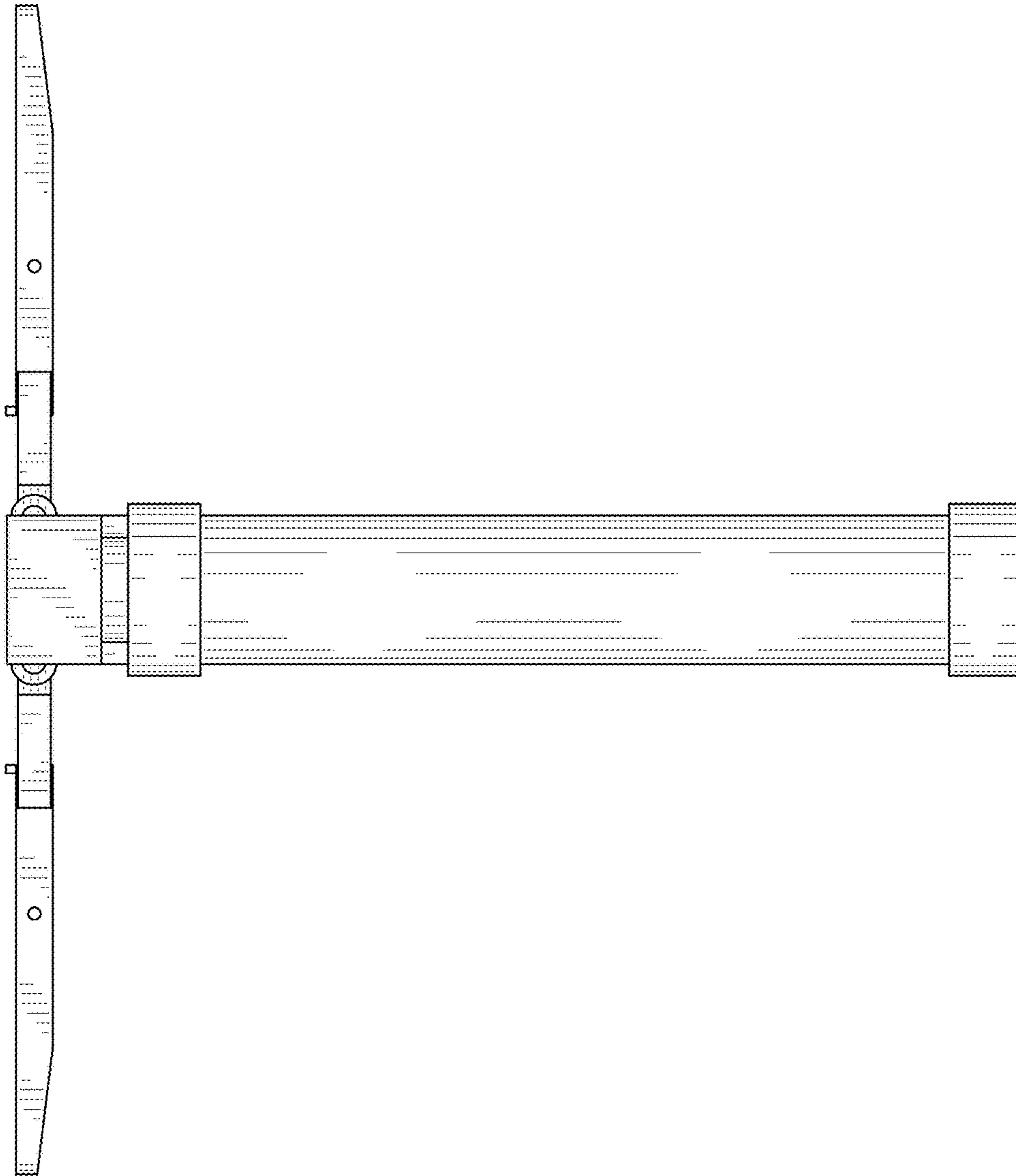


FIG. 3

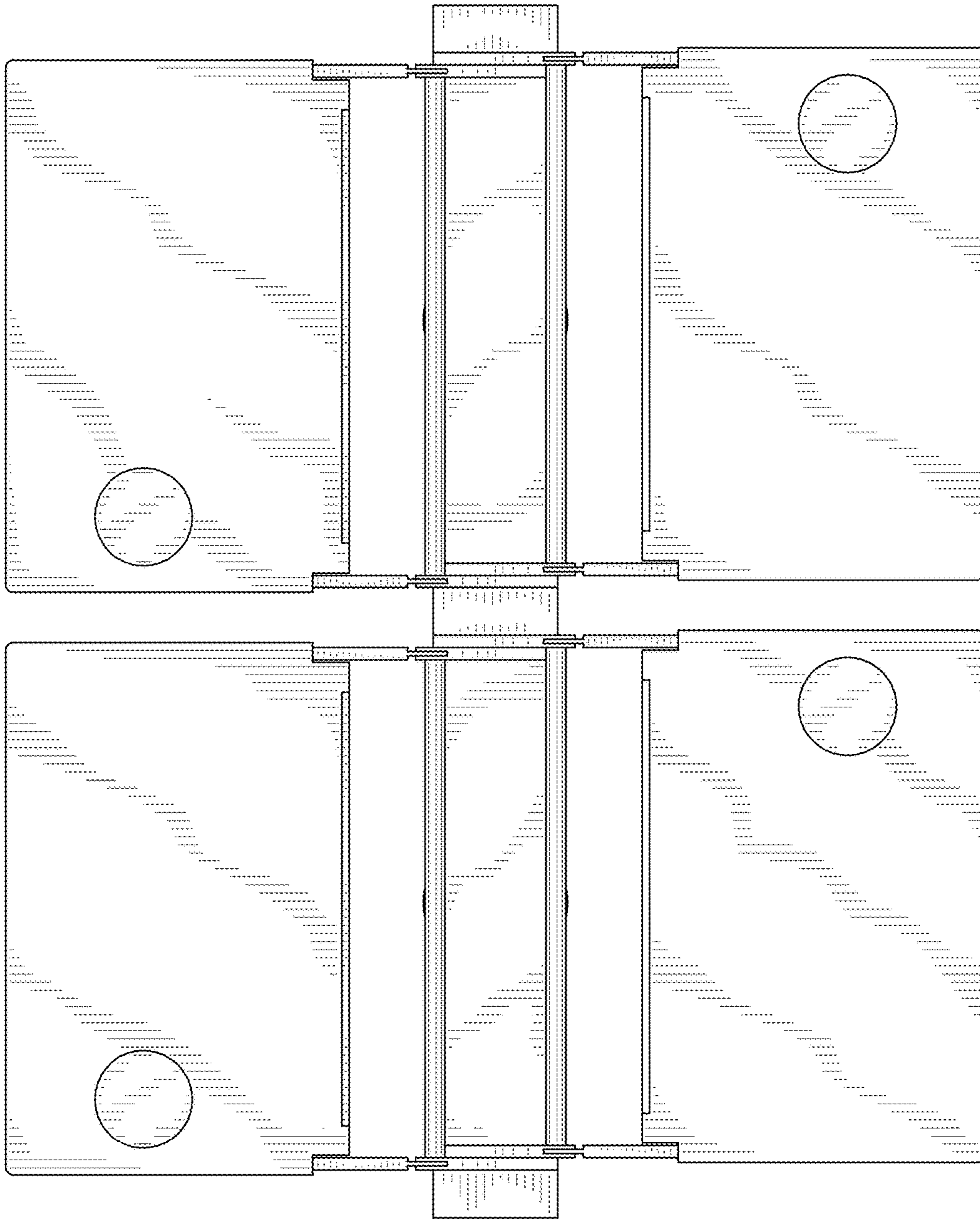


FIG. 4

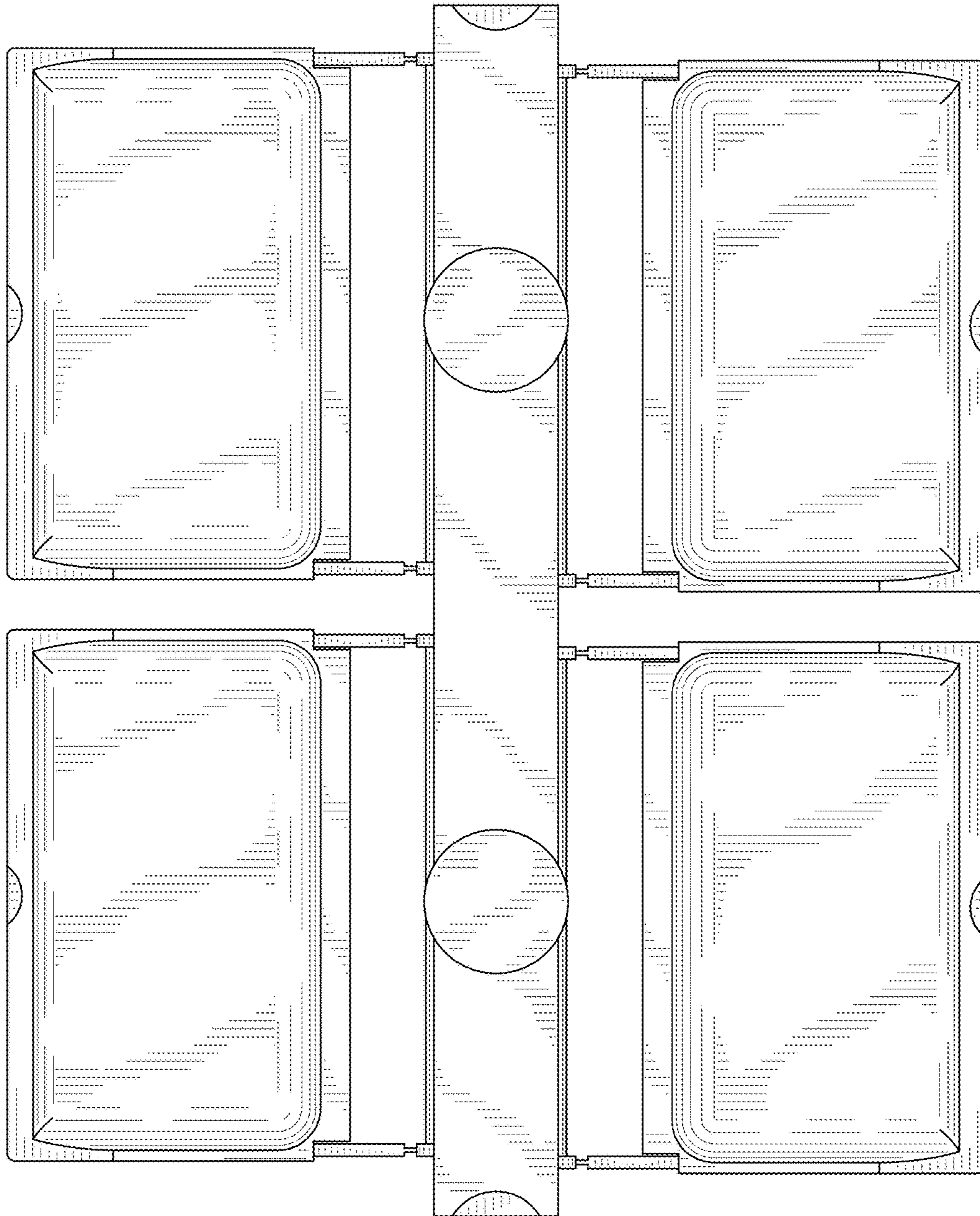


FIG. 5

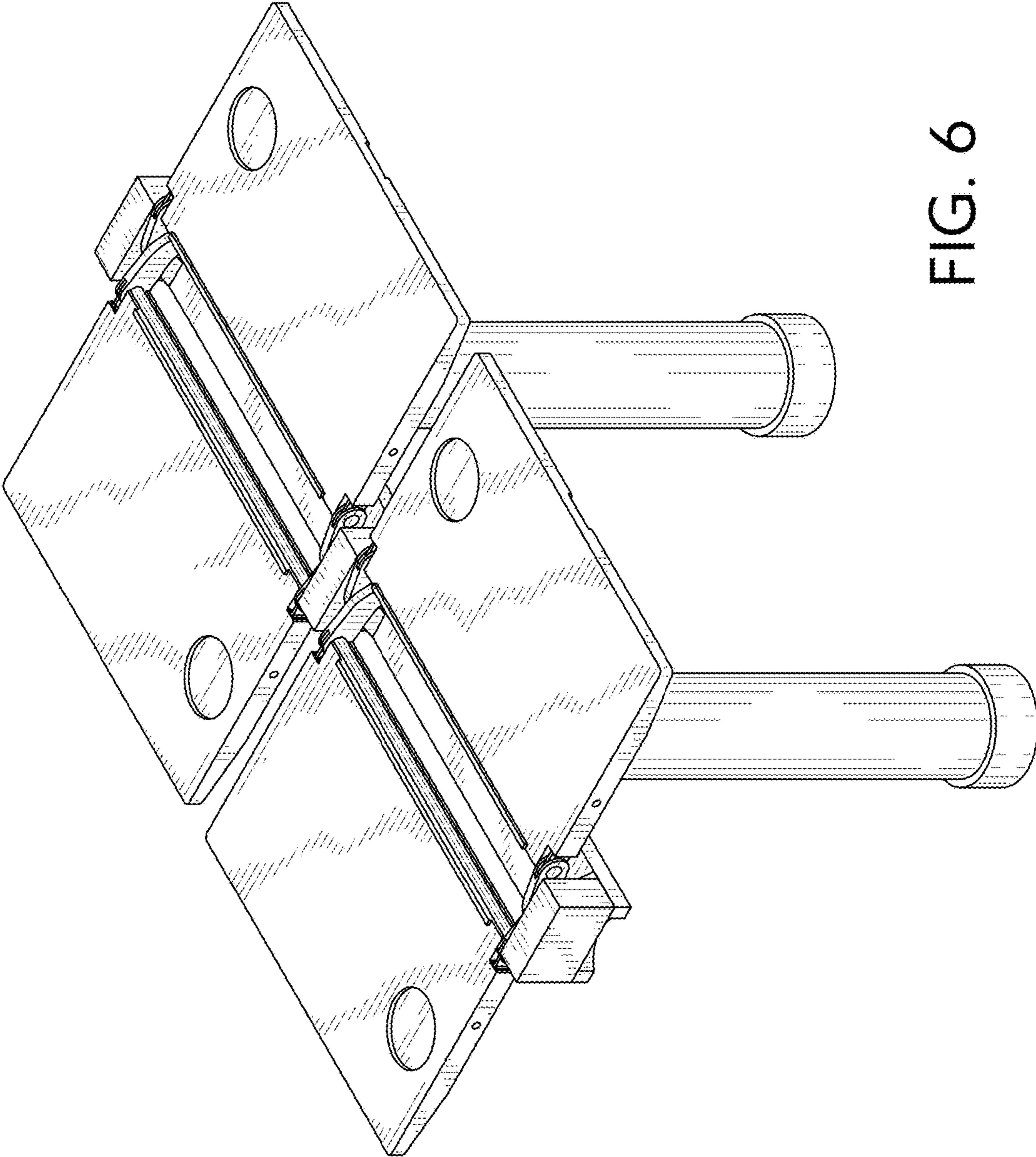


FIG. 6

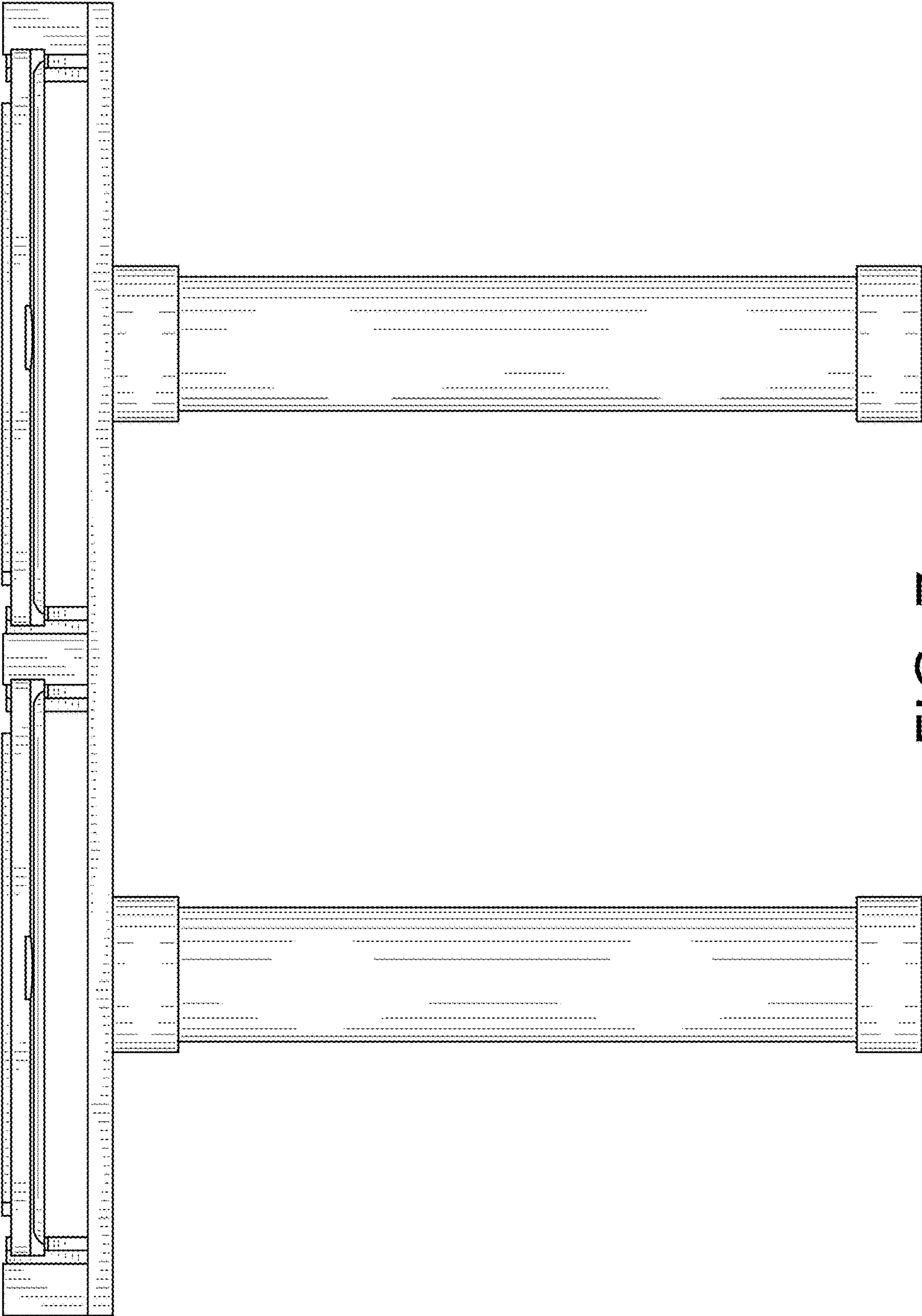


FIG. 7

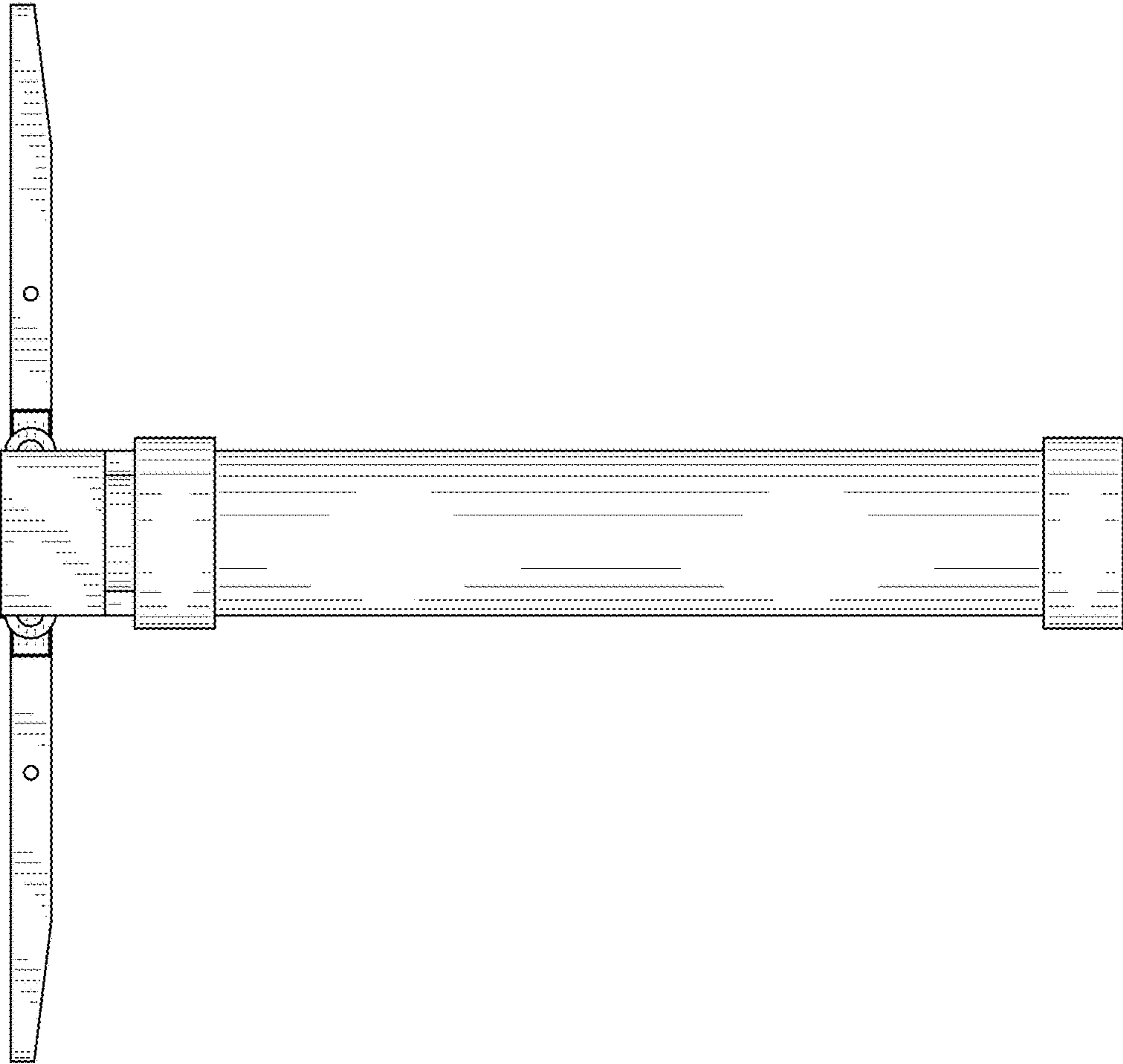


FIG. 8

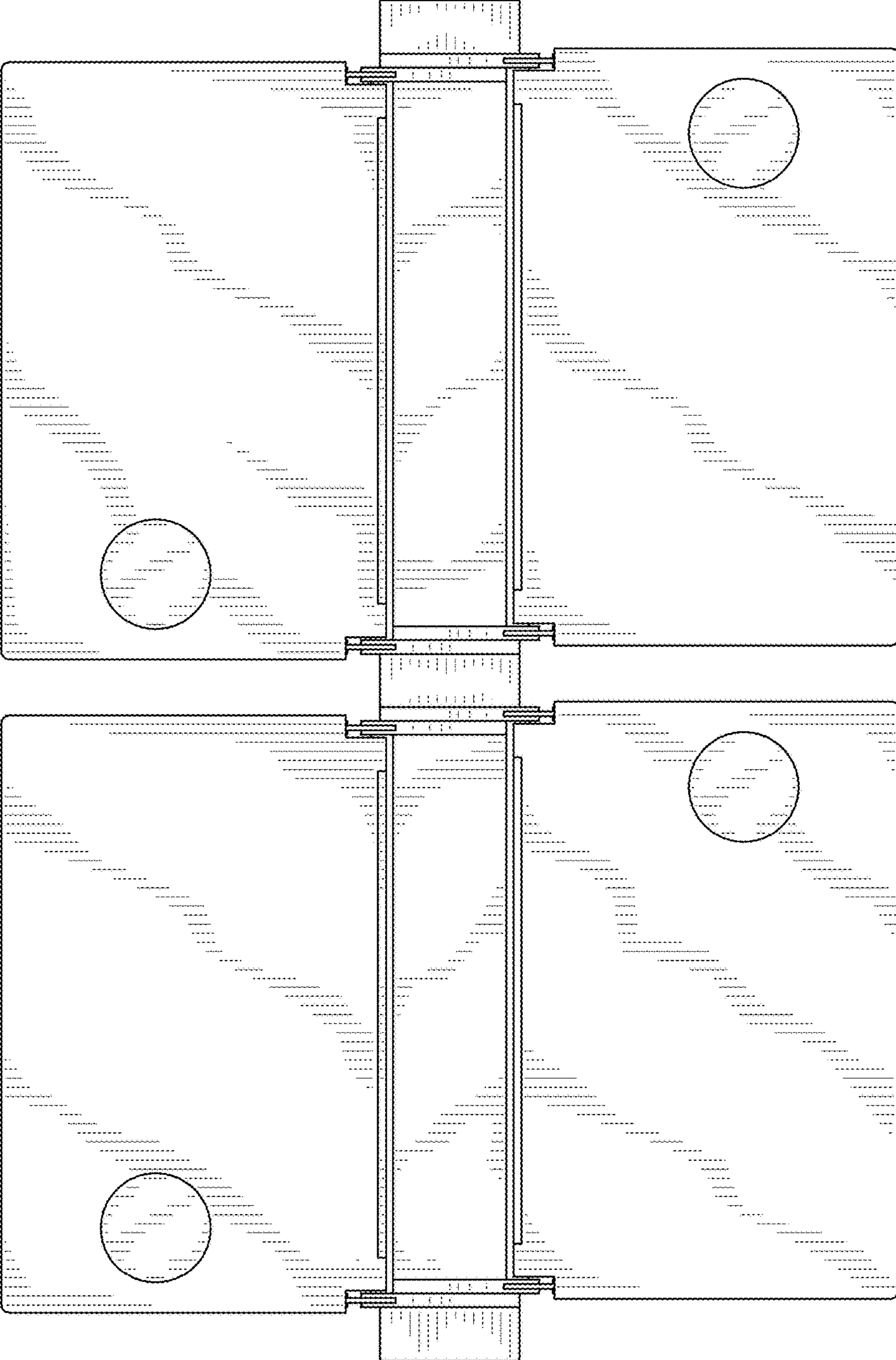


FIG. 9

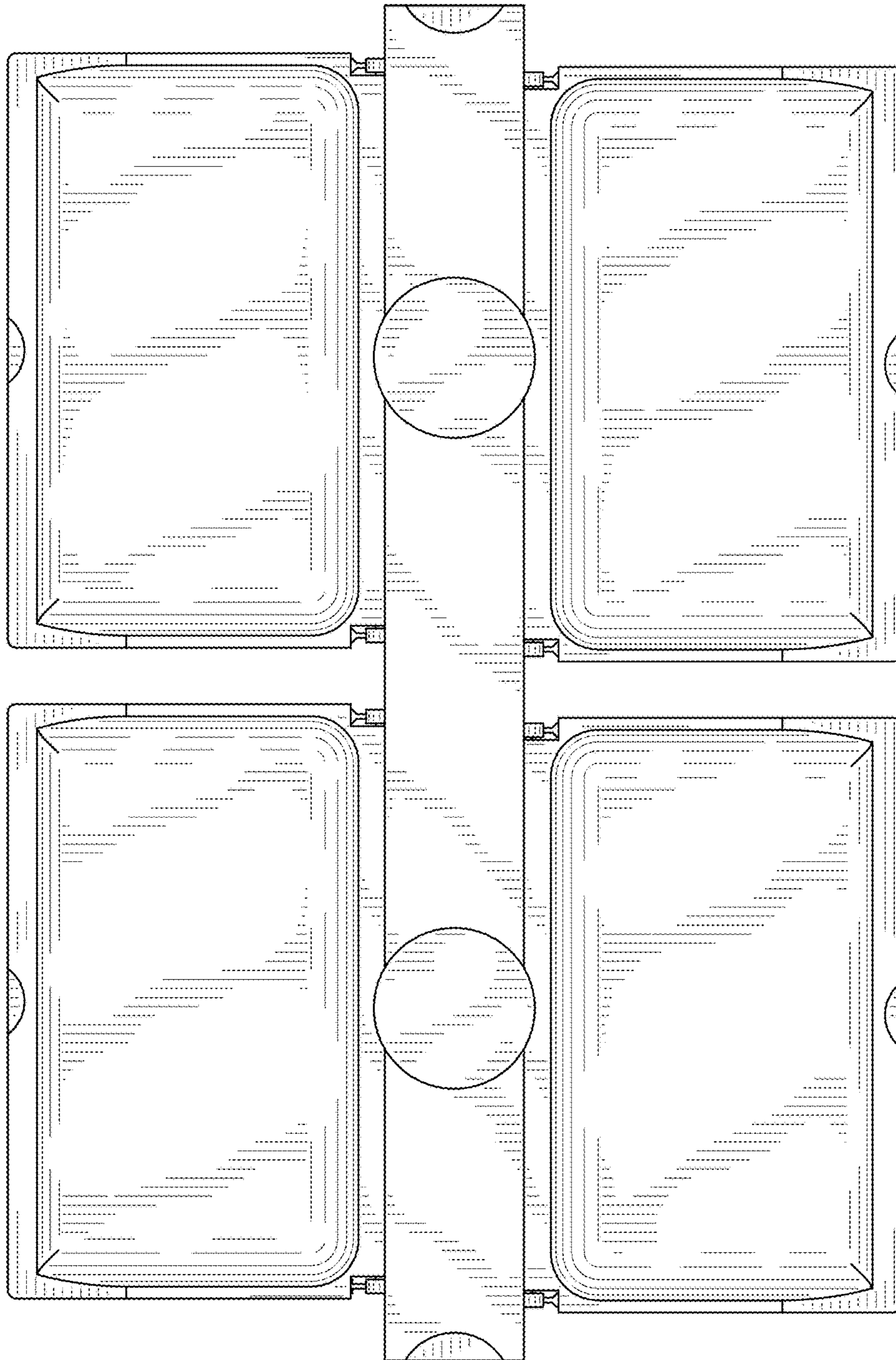


FIG. 10

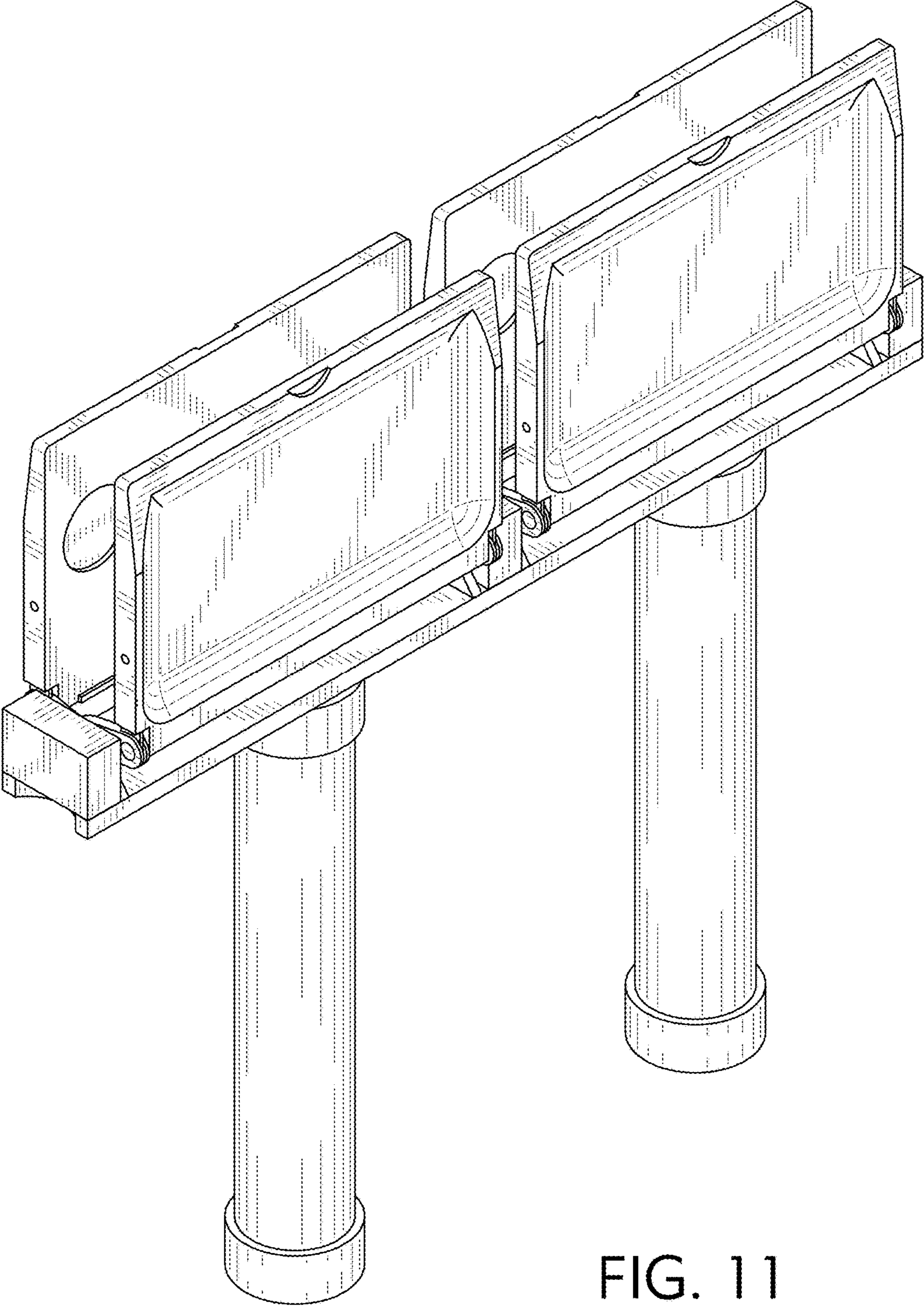


FIG. 11

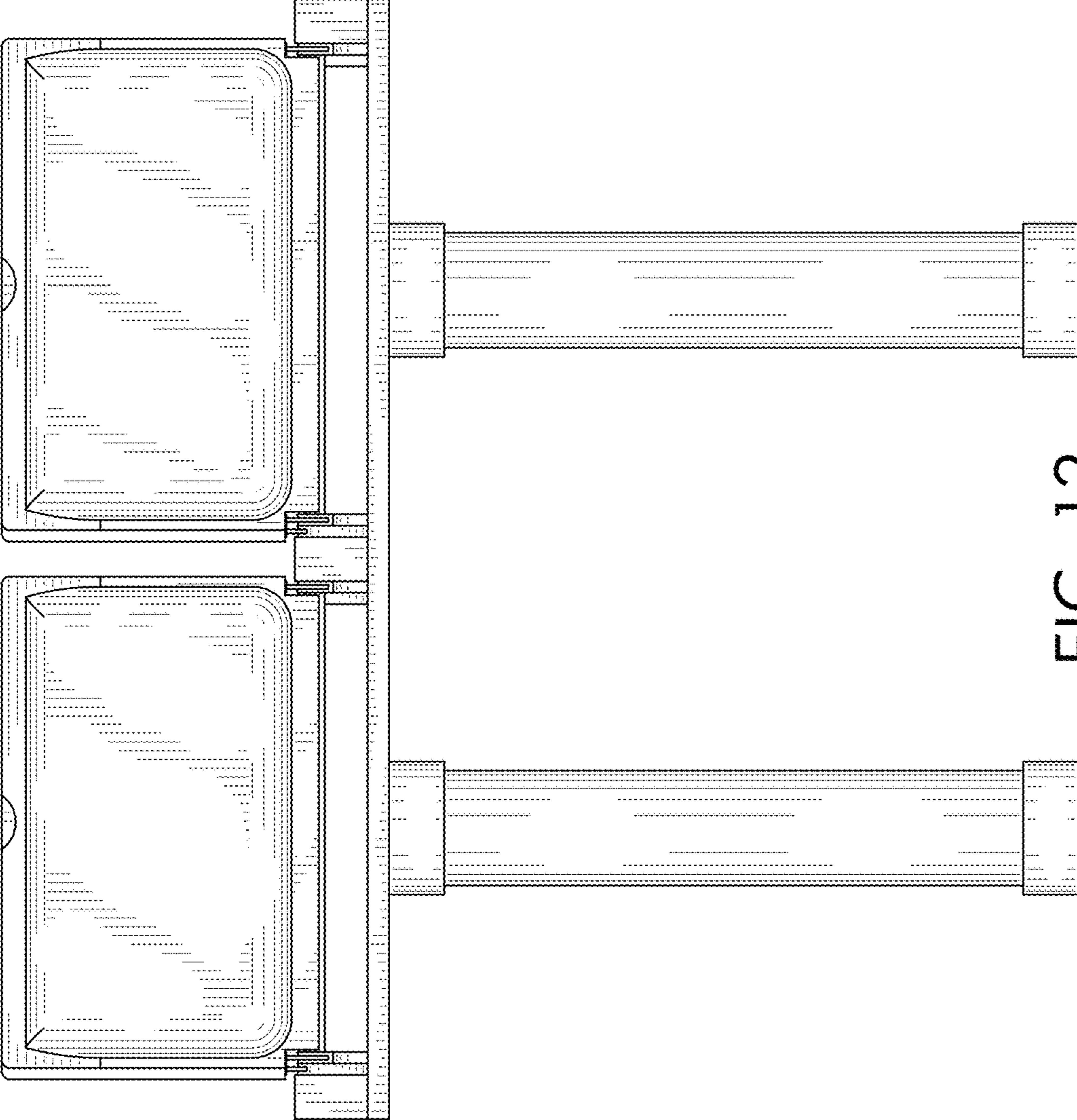


FIG. 12

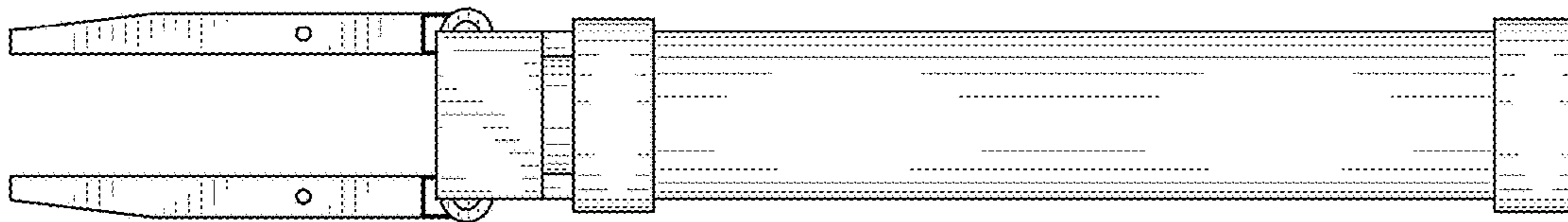


FIG. 13

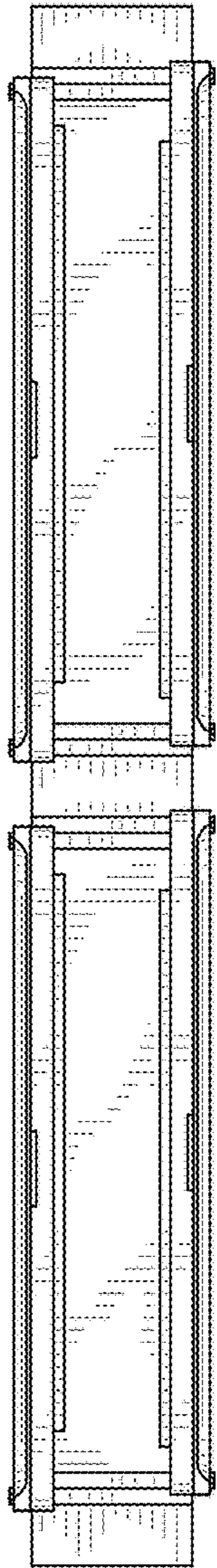


FIG. 14

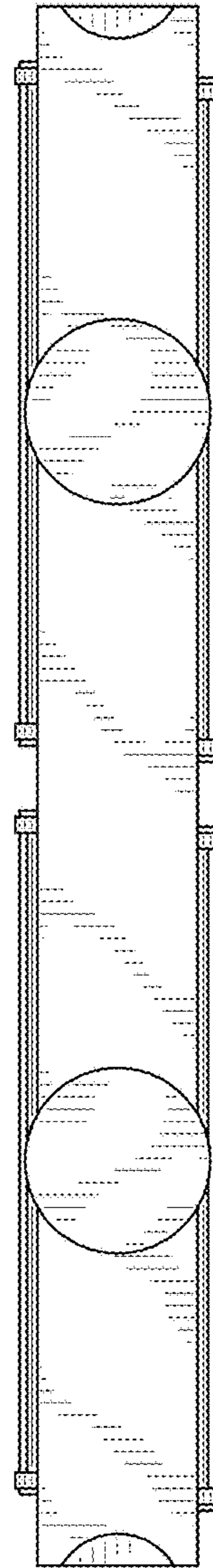


FIG. 15