



US00D832004S

(12) **United States Design Patent**  
**Tsukii**

(10) **Patent No.:** **US D832,004 S**

(45) **Date of Patent:** **\*\* Oct. 30, 2018**

- (54) **DUAL CART MODULAR TABLE**
- (71) Applicant: **Toshikazu Tsukii**, Oro Valley, AZ (US)
- (72) Inventor: **Toshikazu Tsukii**, Oro Valley, AZ (US)
- (\*\*) Term: **15 Years**
- (21) Appl. No.: **29/630,056**
- (22) Filed: **Dec. 19, 2017**
- (51) **LOC (11) Cl.** ..... **06-04**
- (52) **U.S. Cl.**  
USPC ..... **D6/664; D34/19**
- (58) **Field of Classification Search**  
USPC ..... D6/642, 664, 699.1–699.4; D3/273–274;  
D12/423–424; D34/14, 19, 21  
CPC ..... A47B 31/04–31/06; A47B  
2031/003–2031/008; A47B 46/00–46/005  
See application file for complete search history.

D377,277 S *	1/1997	Jacobs	.....	D6/642
D381,529 S *	7/1997	Ugalde	.....	D6/642
5,941,352 A *	8/1999	Lee	.....	A45C 5/14 190/11
D464,211 S *	10/2002	Chan	.....	D6/652
D465,102 S *	11/2002	Seiffarth	.....	D34/14
D557,927 S *	12/2007	Helm	.....	D6/686
D579,231 S *	10/2008	Cheng	.....	D6/642
D598,622 S *	8/2009	Wise	.....	D34/19
D647,272 S *	10/2011	Boivin	.....	D34/19
D661,043 S *	5/2012	Brands	.....	D34/19
D679,467 S *	4/2013	Nicholson	.....	D34/19
D679,468 S *	4/2013	Nicholson	.....	D34/19
9,381,128 B2 *	7/2016	Rozewicz	.....	A61G 13/105
D801,735 S *	11/2017	Ursell	.....	D6/684
D817,583 S *	5/2018	Reyes	.....	D34/19

\* cited by examiner

*Primary Examiner* — Vy N Koenig  
(74) *Attorney, Agent, or Firm* — Eugene Vamos

(57) **CLAIM**

The ornamental design for a dual cart modular table, as shown and described.

**DESCRIPTION**

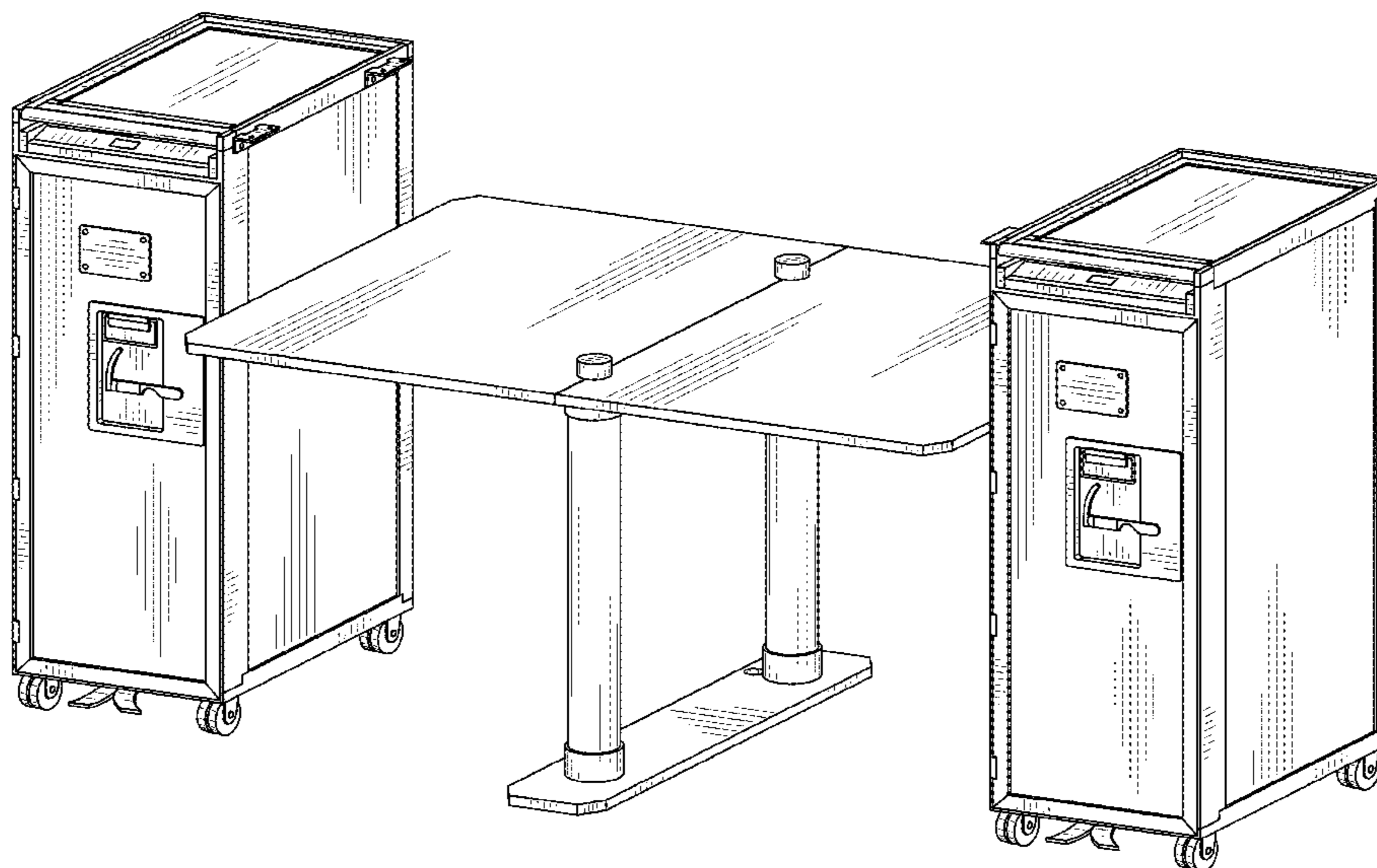
FIG. 1 is a perspective view of a dual cart modular table, showing my new design;  
FIG. 2 is a front elevation view thereof;  
FIG. 3 is a back elevation view thereof;  
FIG. 4 is a right side elevation view thereof;  
FIG. 5 is a left side elevation view thereof;  
FIG. 6 is a top plan view thereof; and,  
FIG. 7 is a bottom plan view thereof.  
The broken lines in the drawings depict environmental structure and form no part of the claimed design.

**1 Claim, 6 Drawing Sheets**

(56) **References Cited**

**U.S. PATENT DOCUMENTS**

D142,262 S *	8/1945	Paden	.....	108/38
D151,287 S *	10/1948	Sanders	.....	D6/642
D167,733 S *	9/1952	Anderson	.....	D6/642
D167,782 S *	9/1952	Weiss	.....	D3/272
D178,285 S *	7/1956	Gaines	.....	D6/664
D219,281 S *	11/1970	Geier	.....	D6/642
D262,162 S *	12/1981	Lenger, Jr.	.....	D6/664
D263,533 S *	3/1982	Ferdinand	.....	D6/664
D275,250 S *	8/1984	Kirsner	.....	D6/656
D289,471 S *	4/1987	Sottsass	.....	D6/332
4,993,782 A *	2/1991	Williams	.....	A47B 29/00 312/21
D357,781 S *	4/1995	Crinion	.....	D34/17
D366,782 S *	2/1996	Bonazza	.....	D6/644



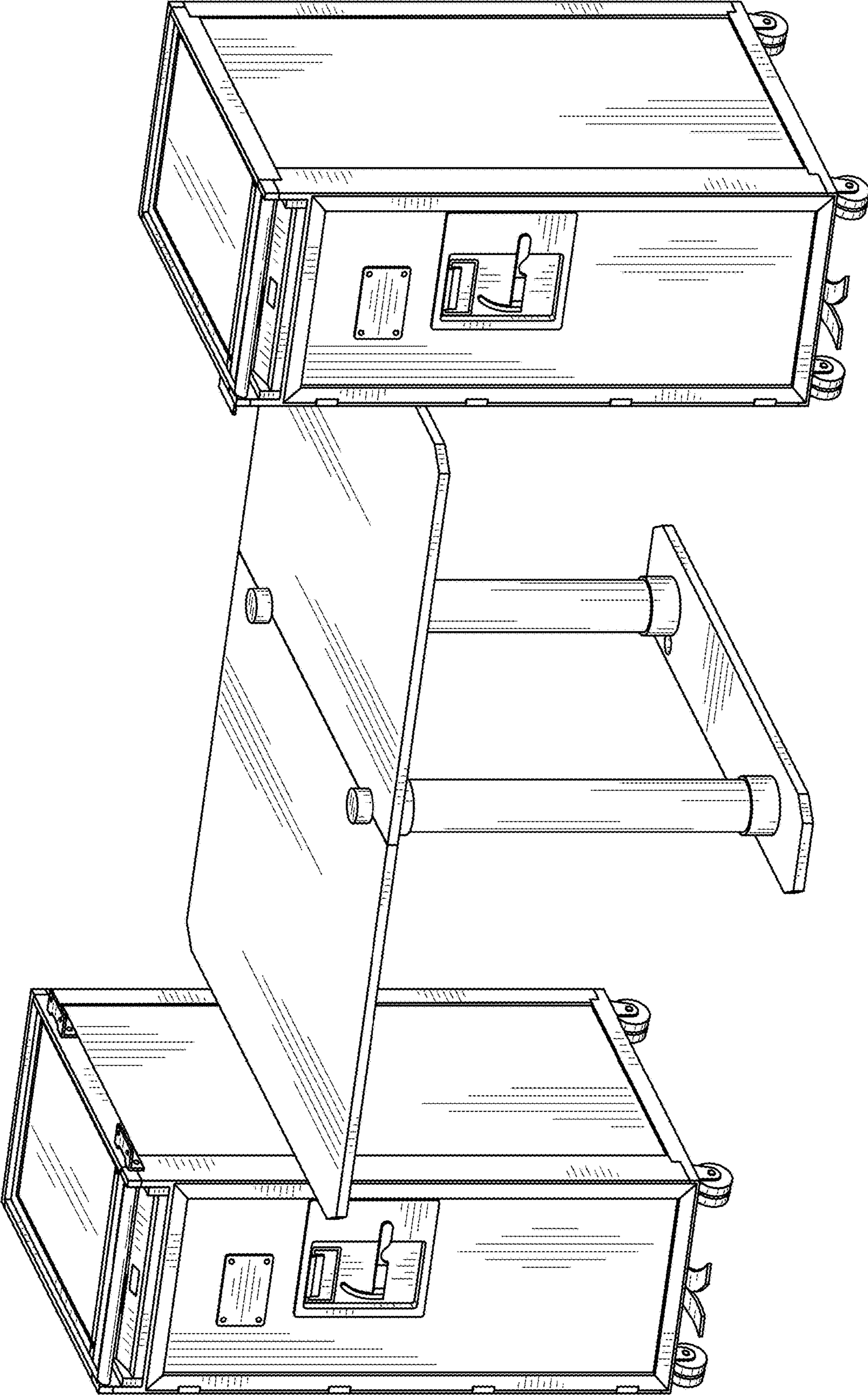


FIG. 1

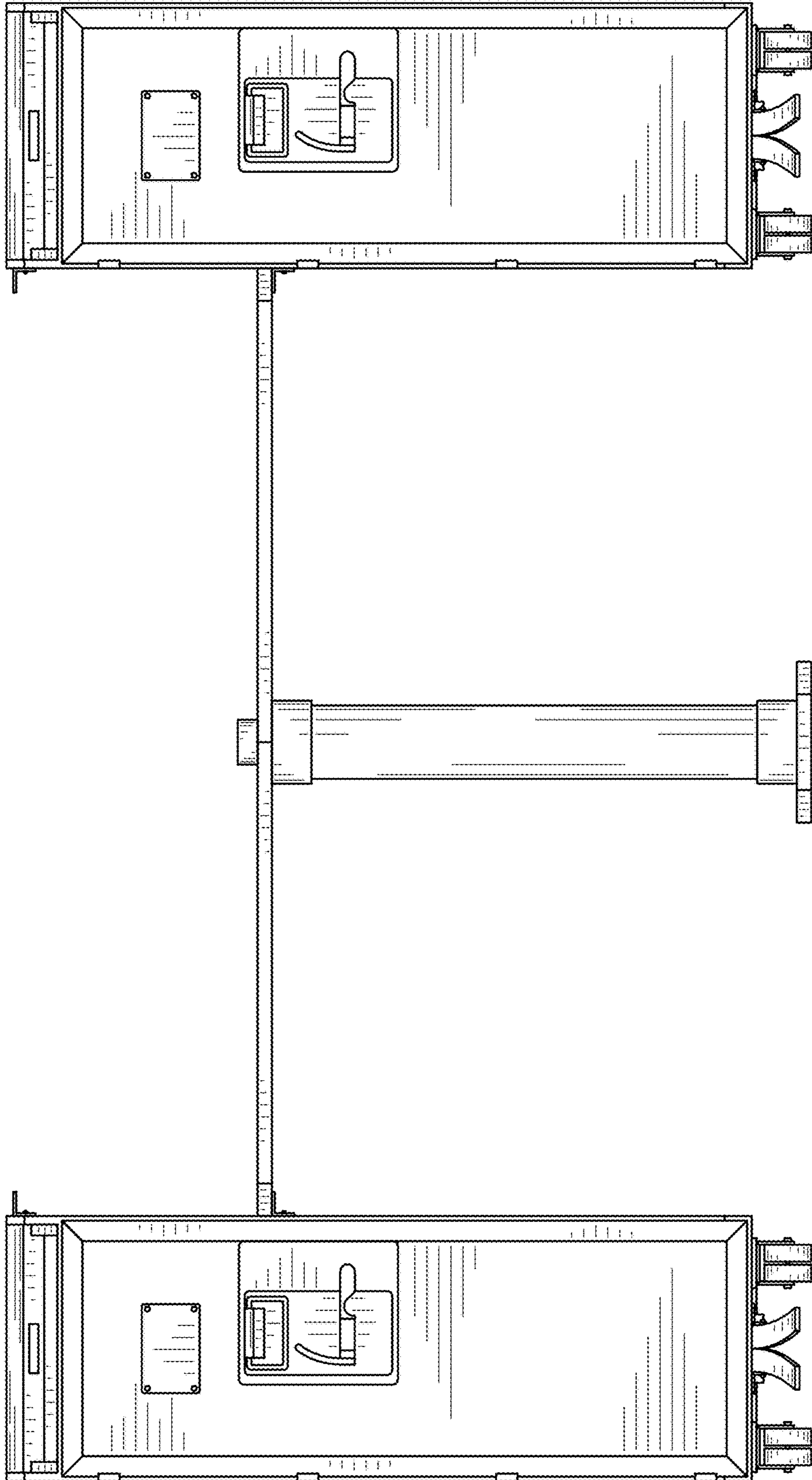


FIG. 2

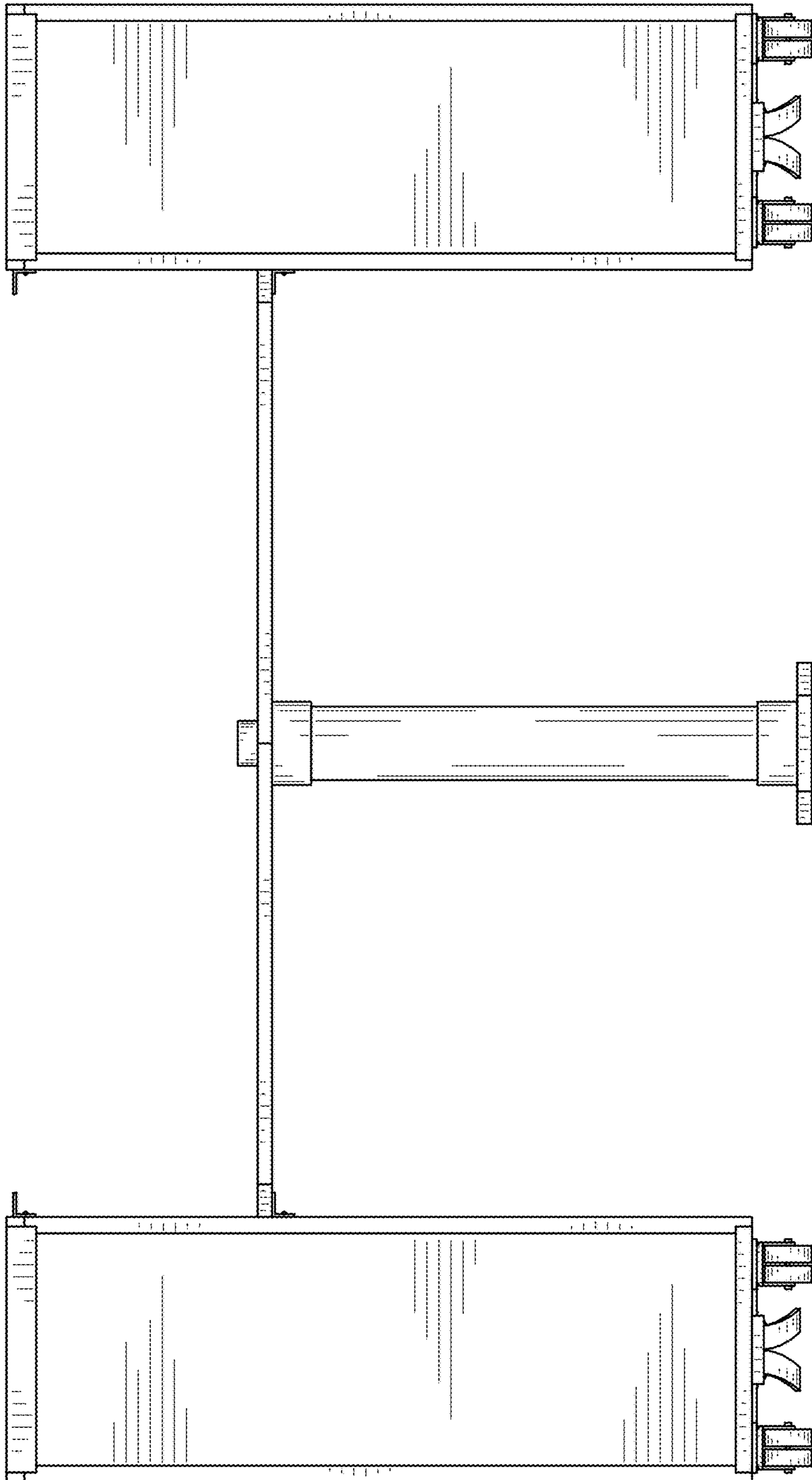


FIG. 3

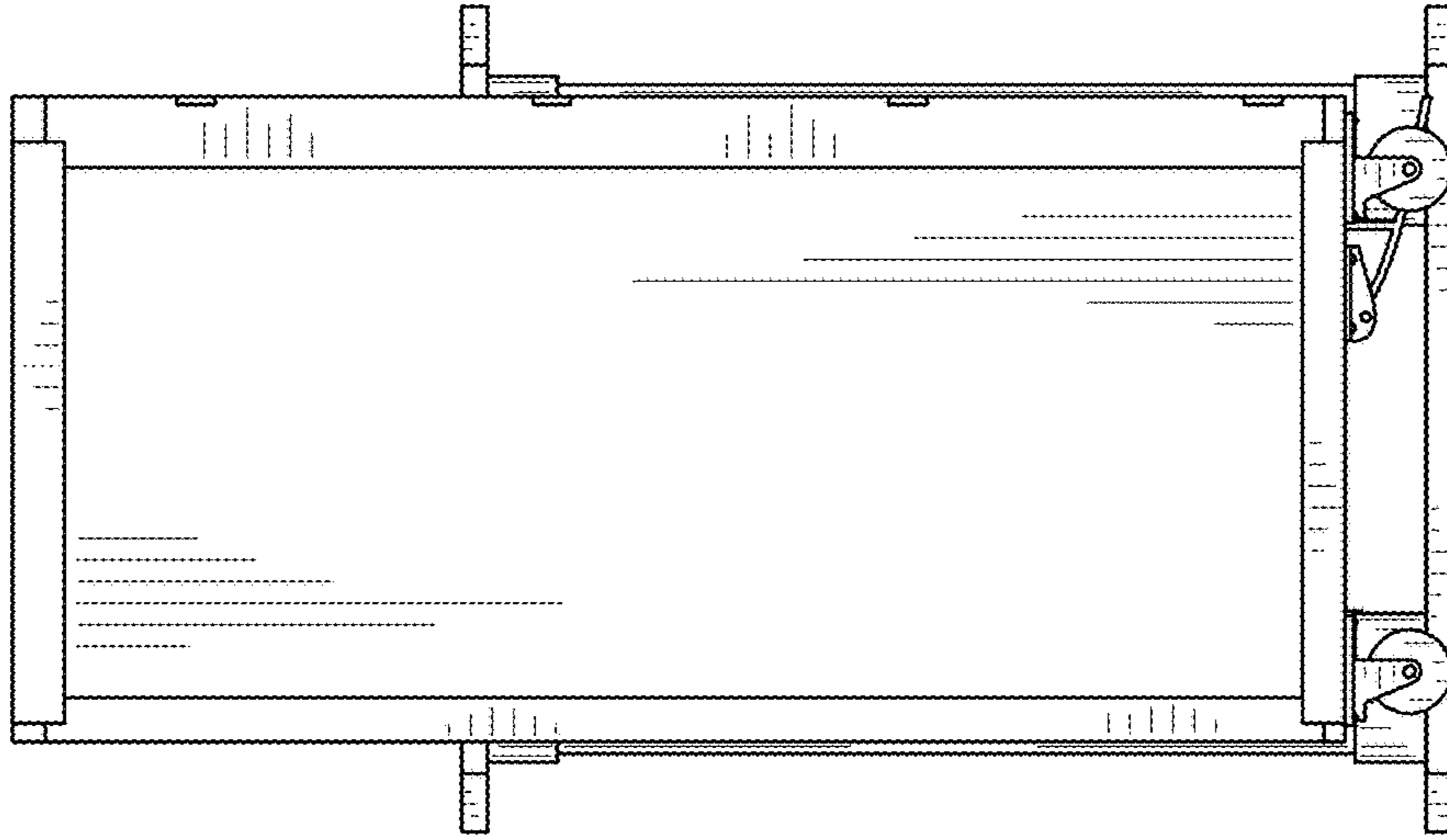


FIG. 5

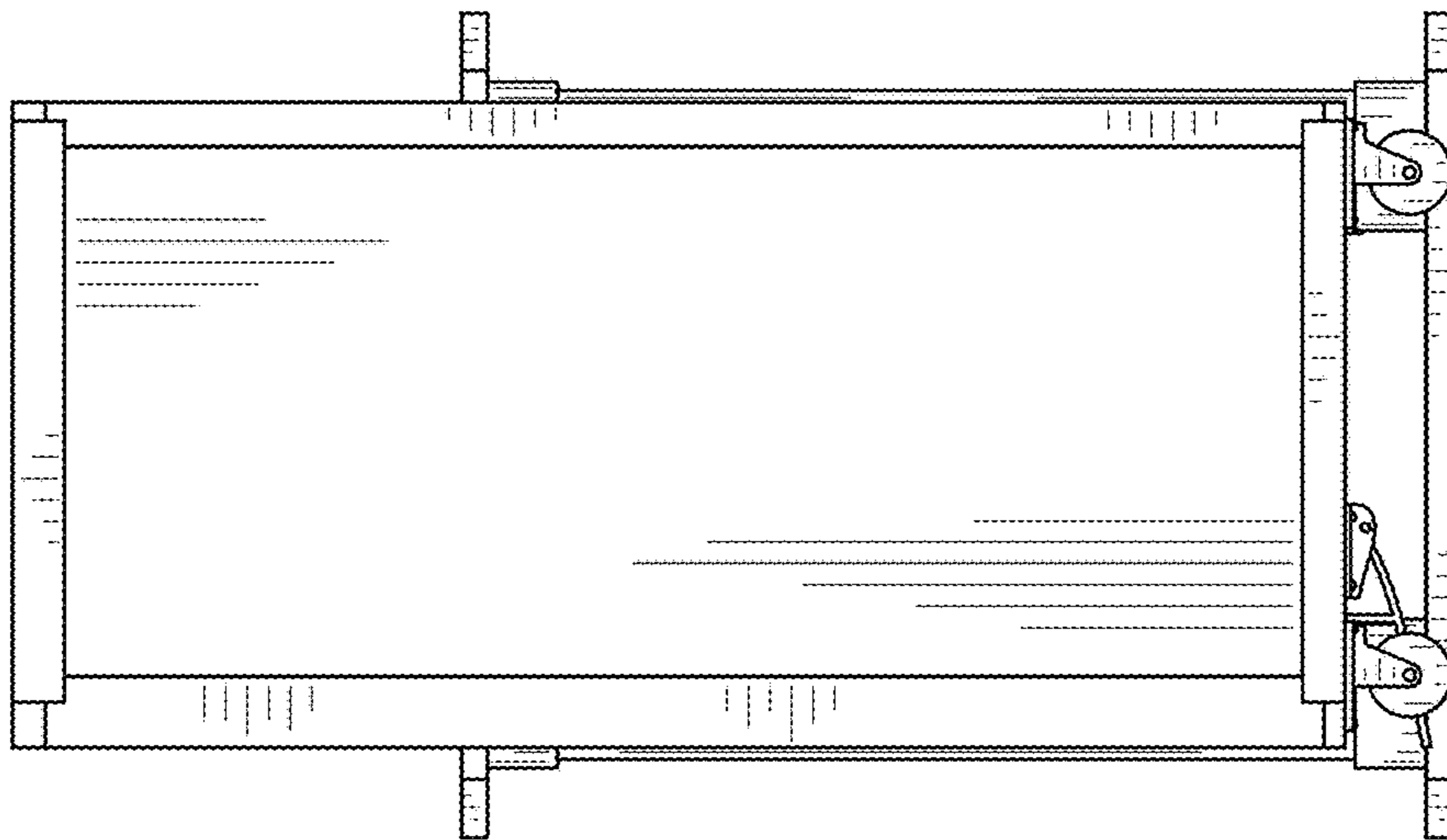


FIG. 4

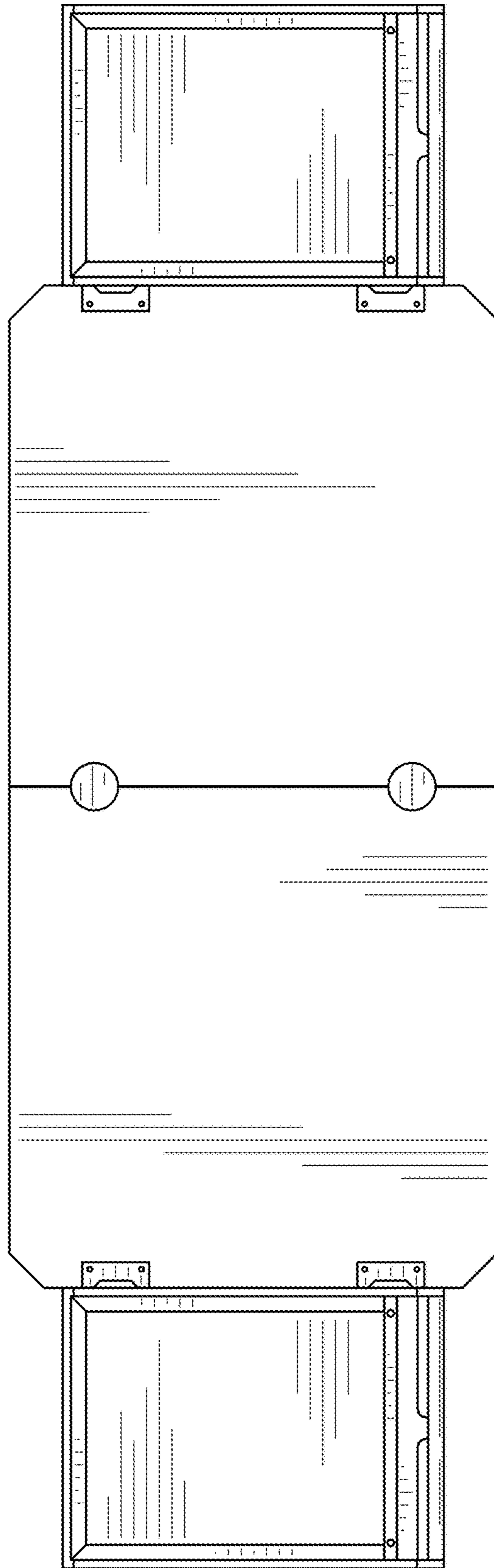


FIG. 6

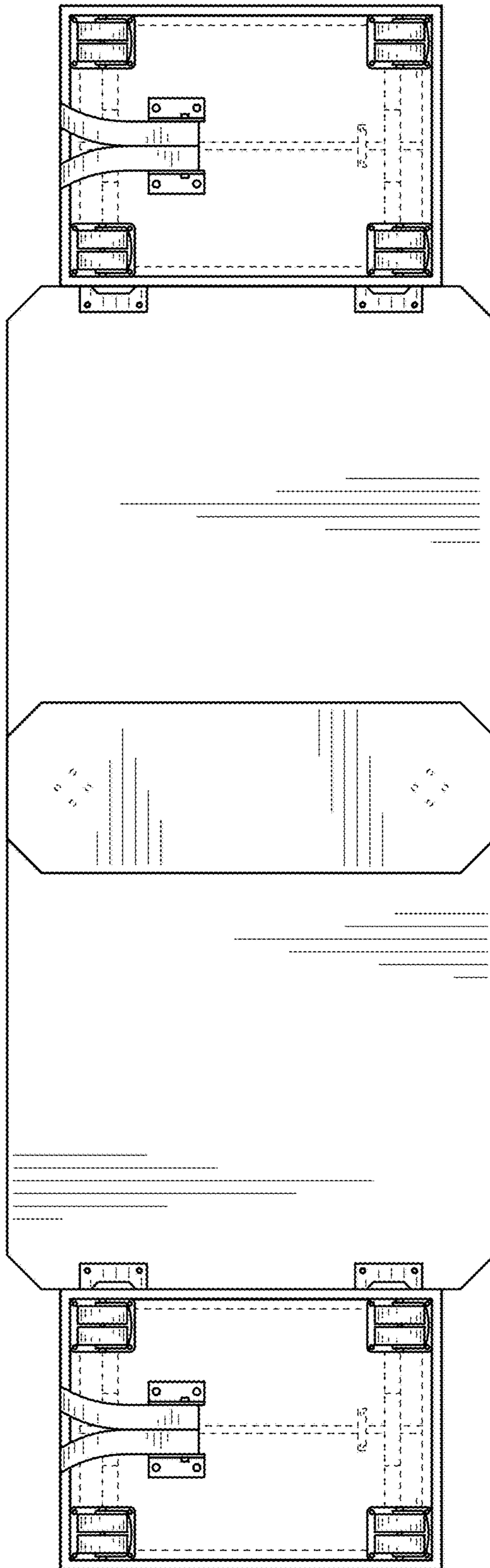


FIG. 7