



US00D832002S

(12) **United States Design Patent**
Hu

(10) **Patent No.:** **US D832,002 S**
(45) **Date of Patent:** **** Oct. 30, 2018**

(54) **HEIGHT ADJUSTABLE DESK WITH SINGLE ARM**

(71) Applicant: **Yajun Hu**, El Dorado Hills, CA (US)

(72) Inventor: **Yajun Hu**, El Dorado Hills, CA (US)

(73) Assignees: **Yajun Hu**, El Dorado Hills, CA (US);
EUREKA LLC, El Dorado Hills, CA (US)

(**) Term: **15 Years**

(21) Appl. No.: **29/614,753**

(22) Filed: **Aug. 22, 2017**

(51) **LOC (11) Cl.** **06-03**

(52) **U.S. Cl.**
USPC **D6/655.13**

(58) **Field of Classification Search**
USPC D6/641, 648, 648.2, 665, 655.1,
D6/655.11-655.16, 655.21, 656, 702,
D6/707.15, 707.19

CPC A47B 1/00; A47B 7/00; A47B 9/00; A47B
9/10; A47B 9/16; A47B 2009/006; A47B
11/00; A47B 13/00; A47B 13/081; A47B
21/0073; A47B 21/02; A47B 21/03; A47B
2200/005; A47B 2200/0064

See application file for complete search history.

(56) **References Cited**

U.S. PATENT DOCUMENTS

4,703,700 A 11/1987 Sema
D478,225 S 8/2003 Wang
D499,273 S 12/2004 Chang
D499,576 S 12/2004 Long
D526,812 S 8/2006 Chen
D547,970 S 8/2007 Chou
D549,009 S 8/2007 Lin
8,118,375 B2 2/2012 Berthiaume et al.
D771,981 S * 11/2016 Flaherty D6/655

D771,982 S * 11/2016 Flaherty D6/655
9,572,422 B2 2/2017 Ergun et al.
D781,617 S * 3/2017 Flaherty D6/655
D781,618 S * 3/2017 Flaherty D6/655
D781,619 S * 3/2017 Flaherty D6/655

(Continued)

OTHER PUBLICATIONS

Mount-It!, posted at Amazon.com, posted on May 9, 2017, site visited Aug. 2, 2018. online, available from internet: <https://www.amazon.com/Mount-Workstation-Converter-Ergonomic-Adjustable/dp/B01N38310J>.*

(Continued)

Primary Examiner — Mary Ann Calabrese

Assistant Examiner — Catherine Ho

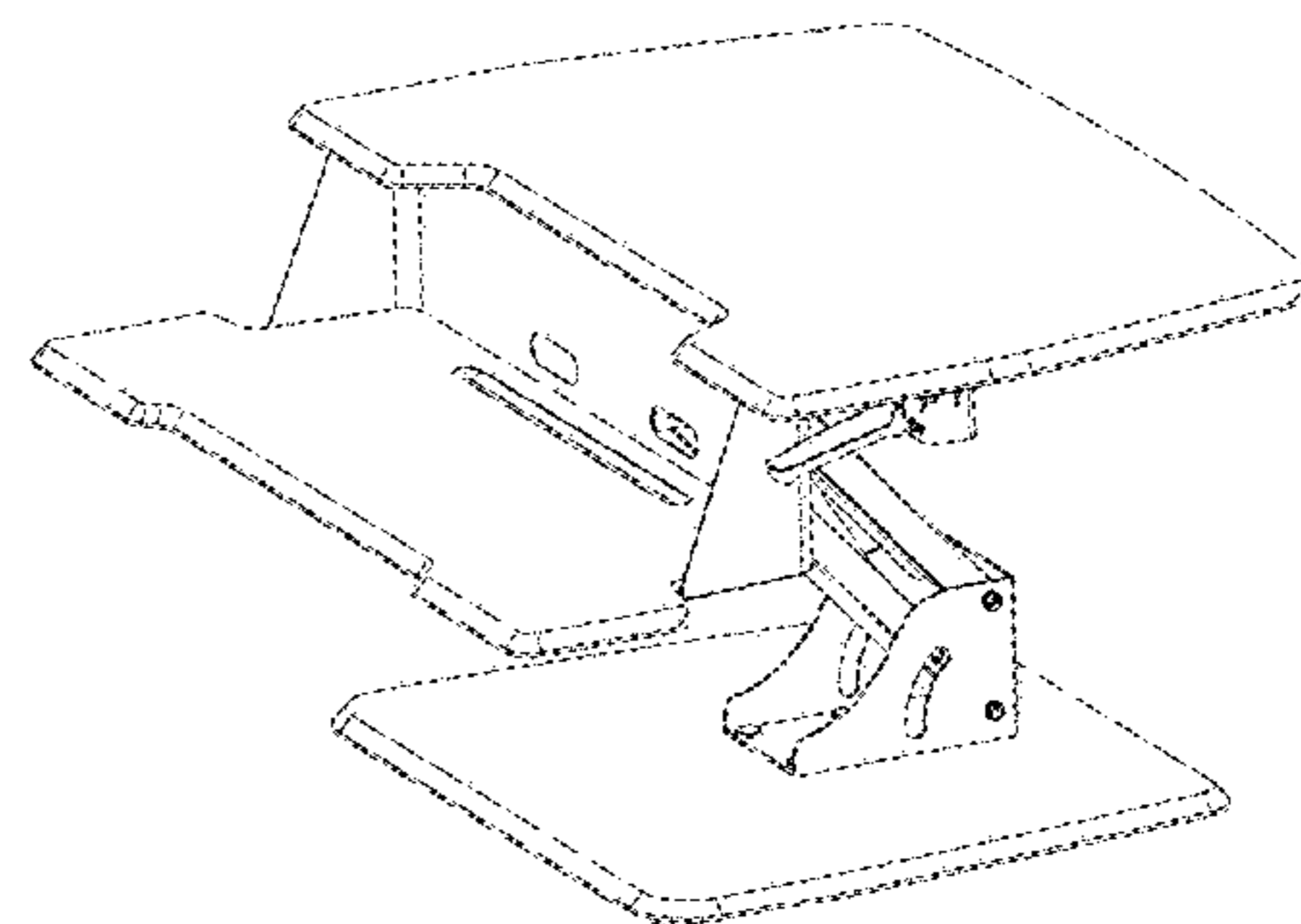
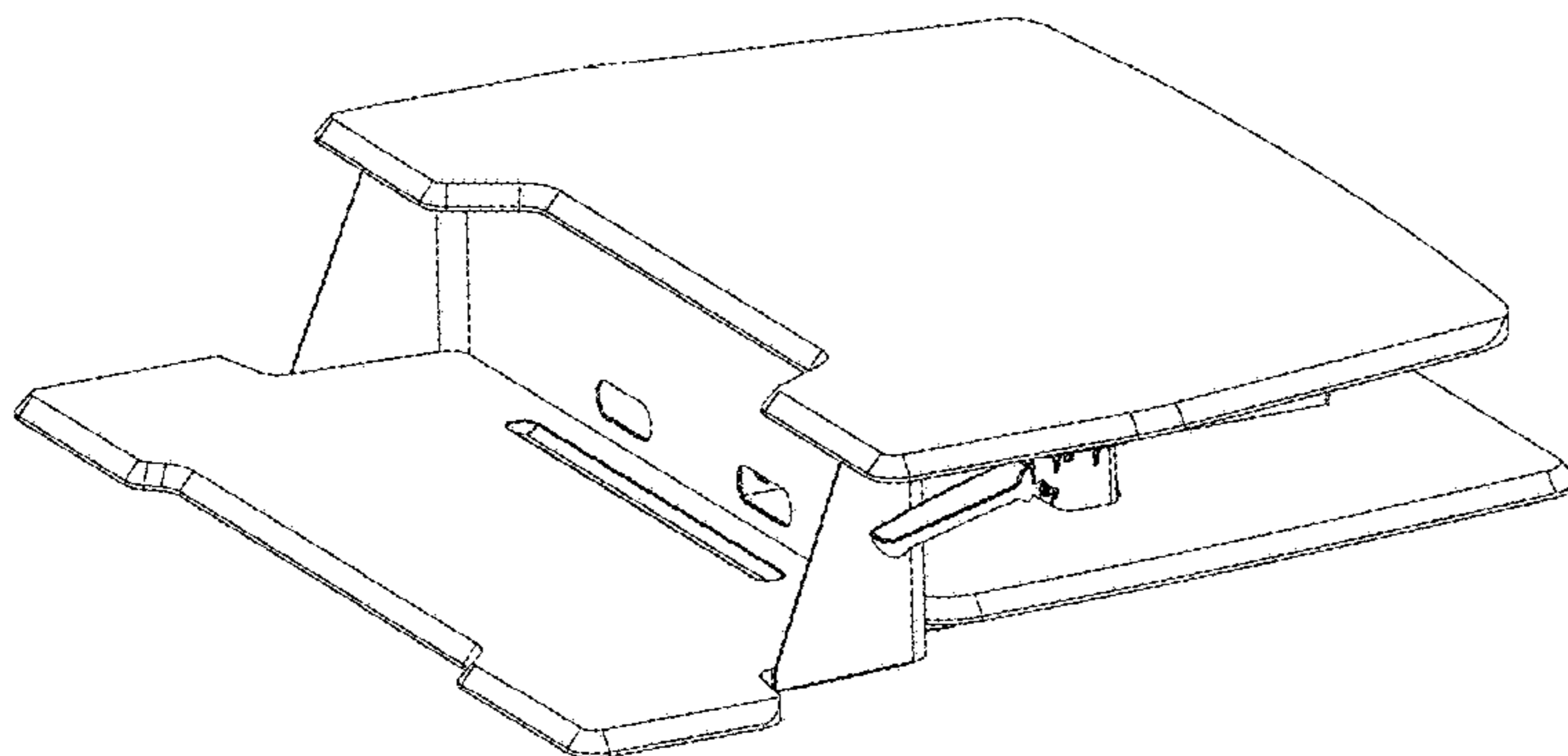
(57) **CLAIM**

The ornamental design for a height adjustable desk with single arm, as shown and described.

DESCRIPTION

FIG. 1 is a perspective view of height adjustable desk with single arm in a collapsed position, showing my new design; FIG. 2 is a front view thereof; FIG. 3 is a bottom view thereof; FIG. 4 is a top view thereof; FIG. 5 is a rear side view thereof; FIG. 6 is a left side view thereof; FIG. 7 is a right side view thereof; FIG. 8 is a perspective view of a height adjustable desk with single arm at high height in an extended position; FIG. 9 is a front view thereof; FIG. 10 is a bottom view thereof; FIG. 11 is a top view thereof; FIG. 12 is a rear side view thereof; FIG. 13 is a left side view thereof; and, FIG. 14 is a right side view thereof.

1 Claim, 14 Drawing Sheets



(56)

References Cited

U.S. PATENT DOCUMENTS

9,591,919 B2 3/2017 Ergun et al.
D784,050 S * 4/2017 Flaherty D6/655
D785,386 S * 5/2017 Flaherty D6/707.15
9,635,932 B2 5/2017 Kelley et al.
D814,214 S * 4/2018 Flaherty D6/648
2018/0140089 A1* 5/2018 Blackburn A47B 21/02

OTHER PUBLICATIONS

Eureka, posted at Amazon.com, posted on Jan. 14, 2018, site visited Aug. 2, 2018. online, available from internet: <https://www.amazon.com/dp/B079171GR5>.*

FlexiSpot, posted at Amazon.com, posted on Jul. 10, 2017, site visited Aug. 2, 2018. online, available from internet: <https://www.amazon.com/FlexiSpot-standing-desk-riser-Height-Adjustable/dp/B073TX19X1>.*

* cited by examiner

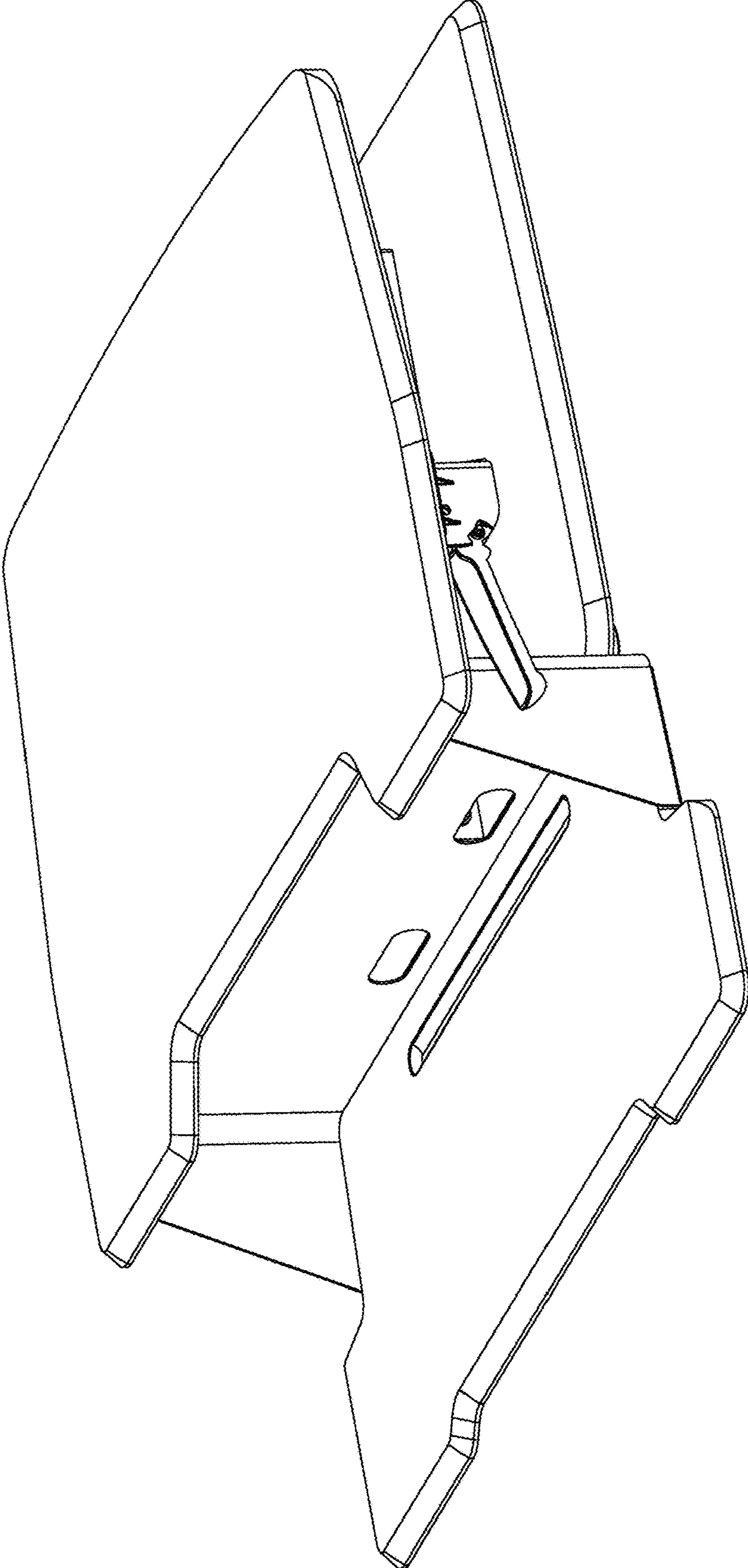


FIG.1

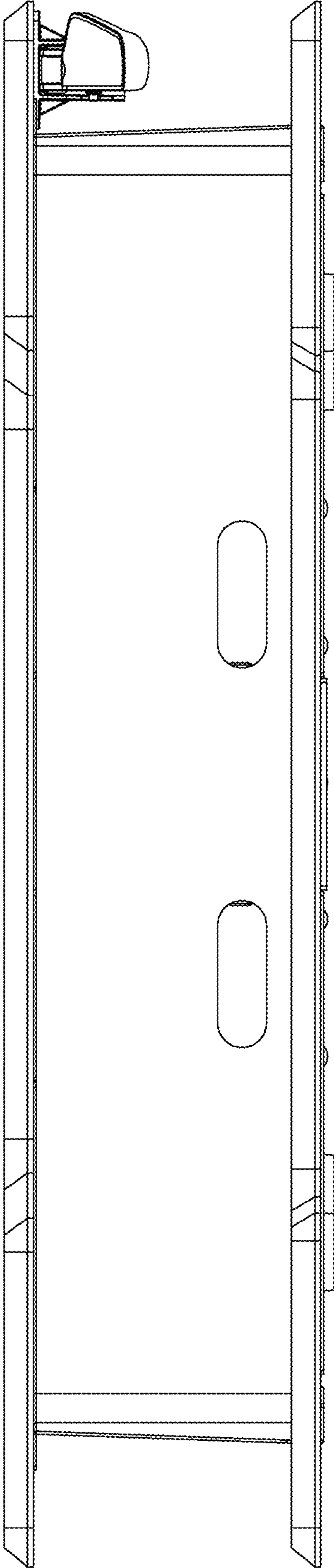


FIG.2

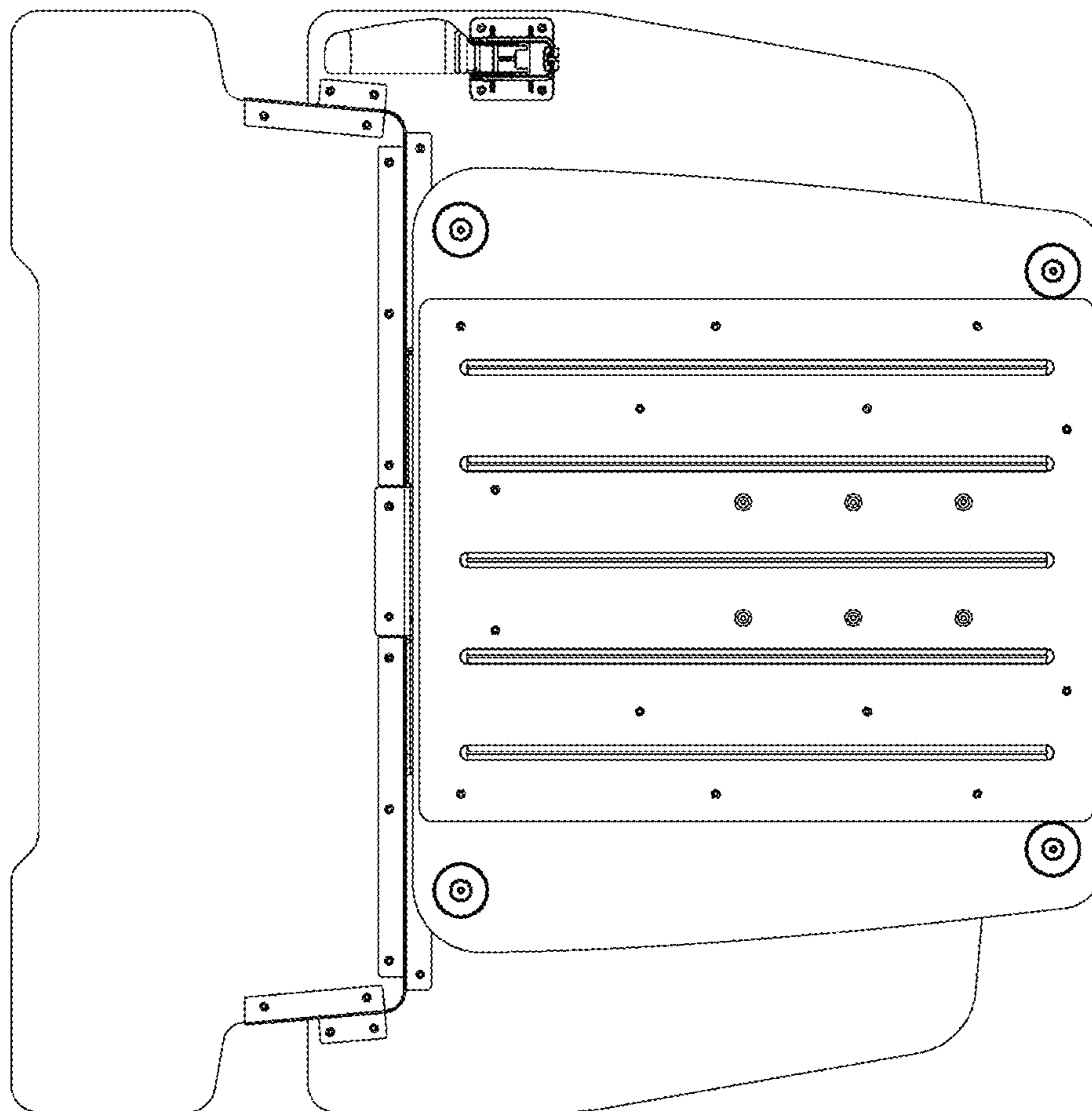


FIG.3

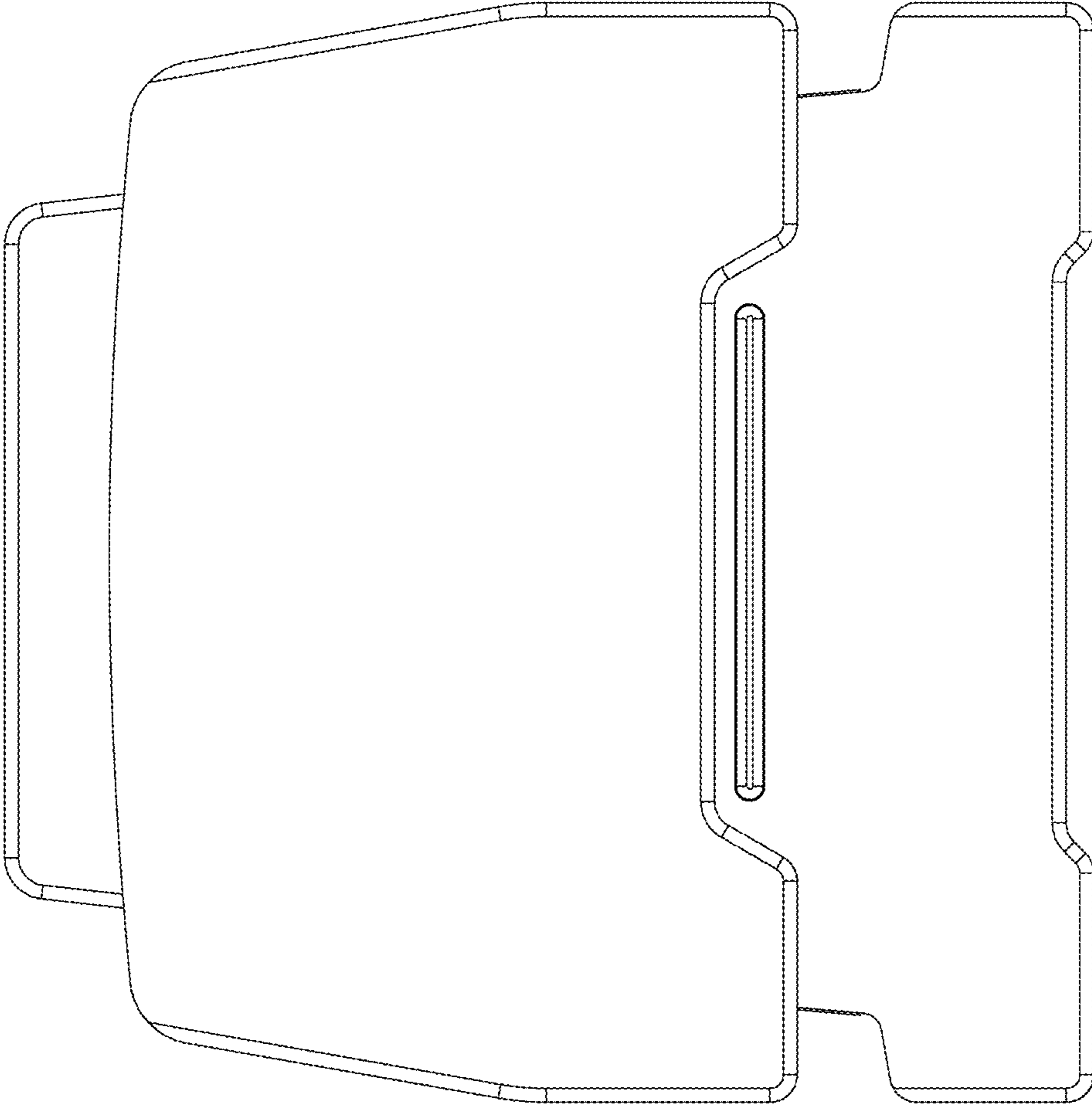


FIG.4

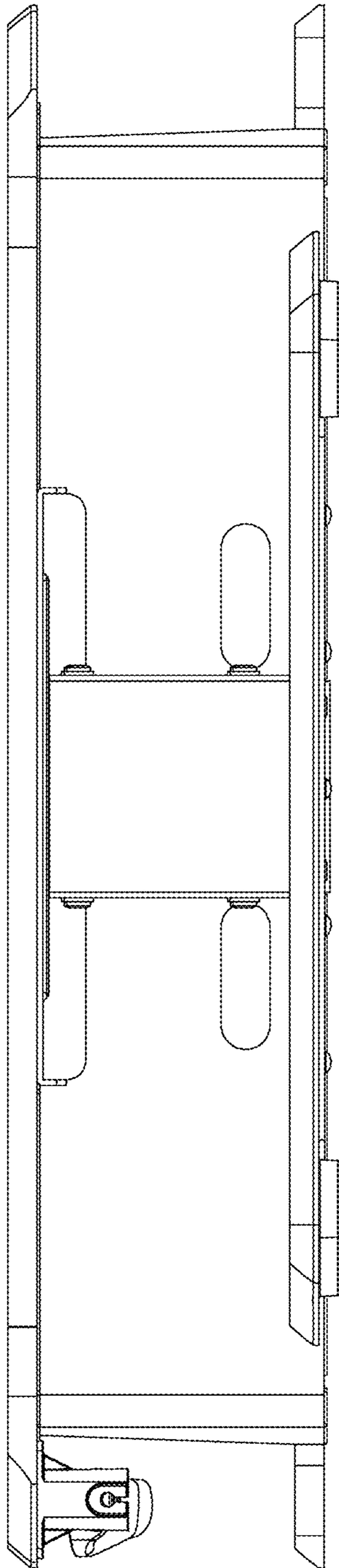


FIG.5

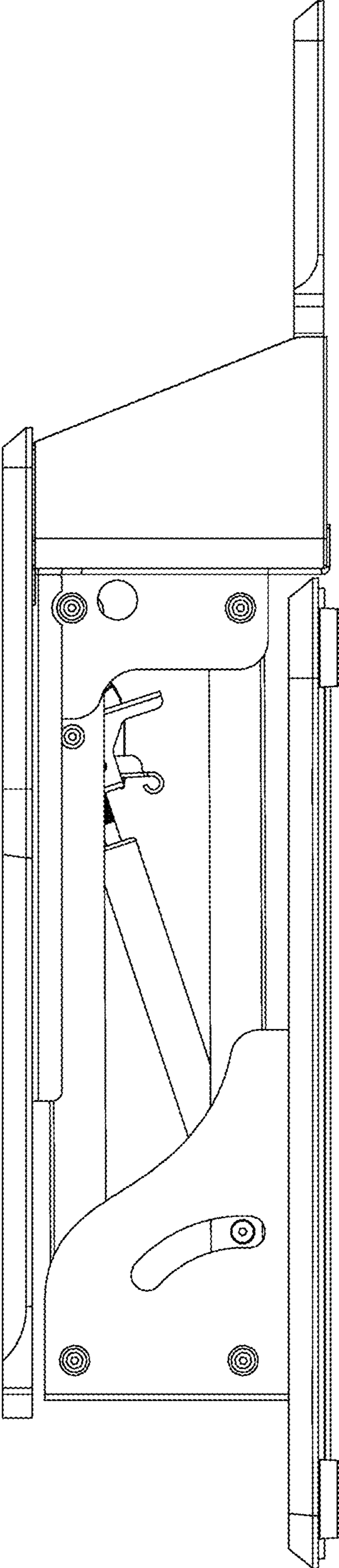


FIG.6

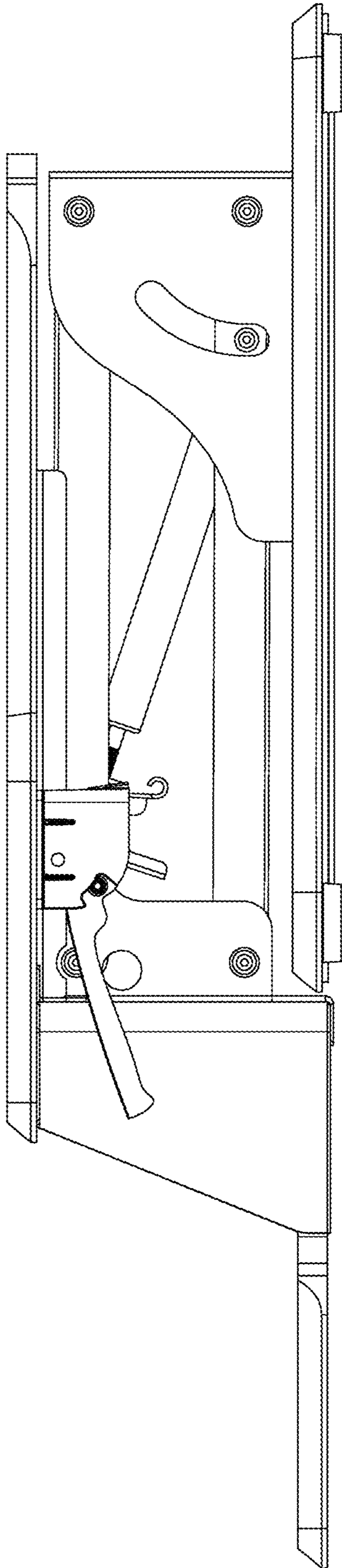


FIG.7

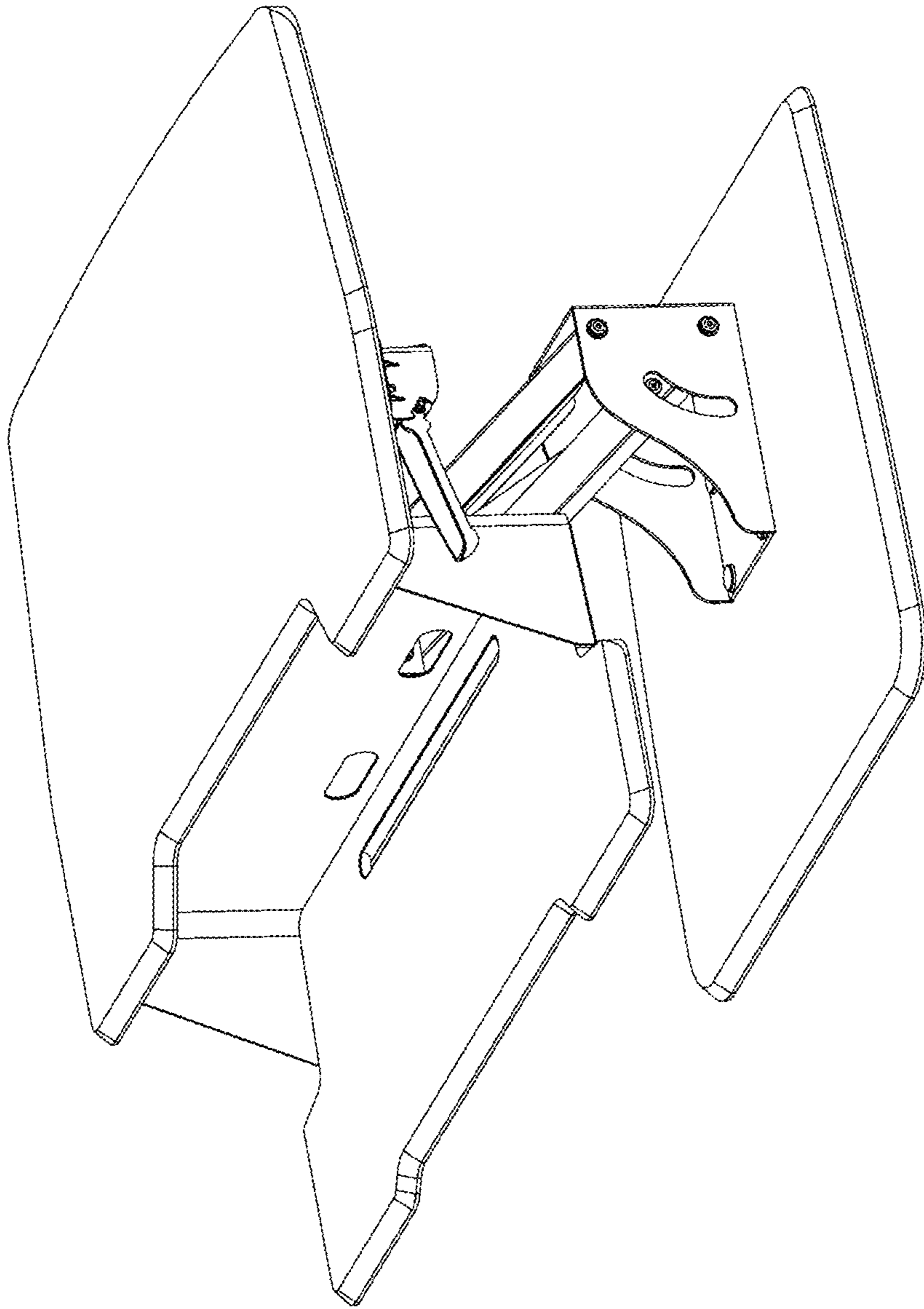


FIG.8

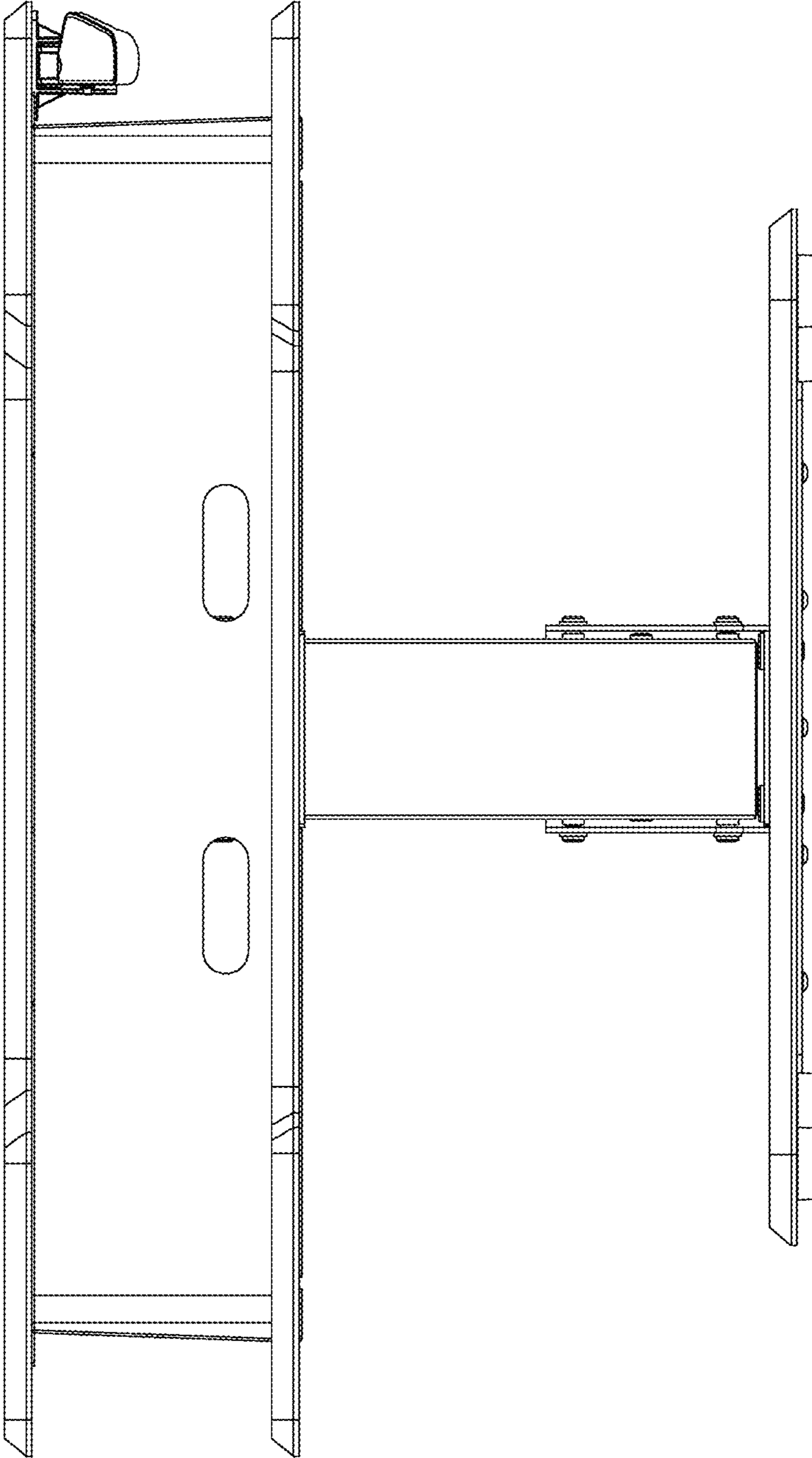


FIG.9

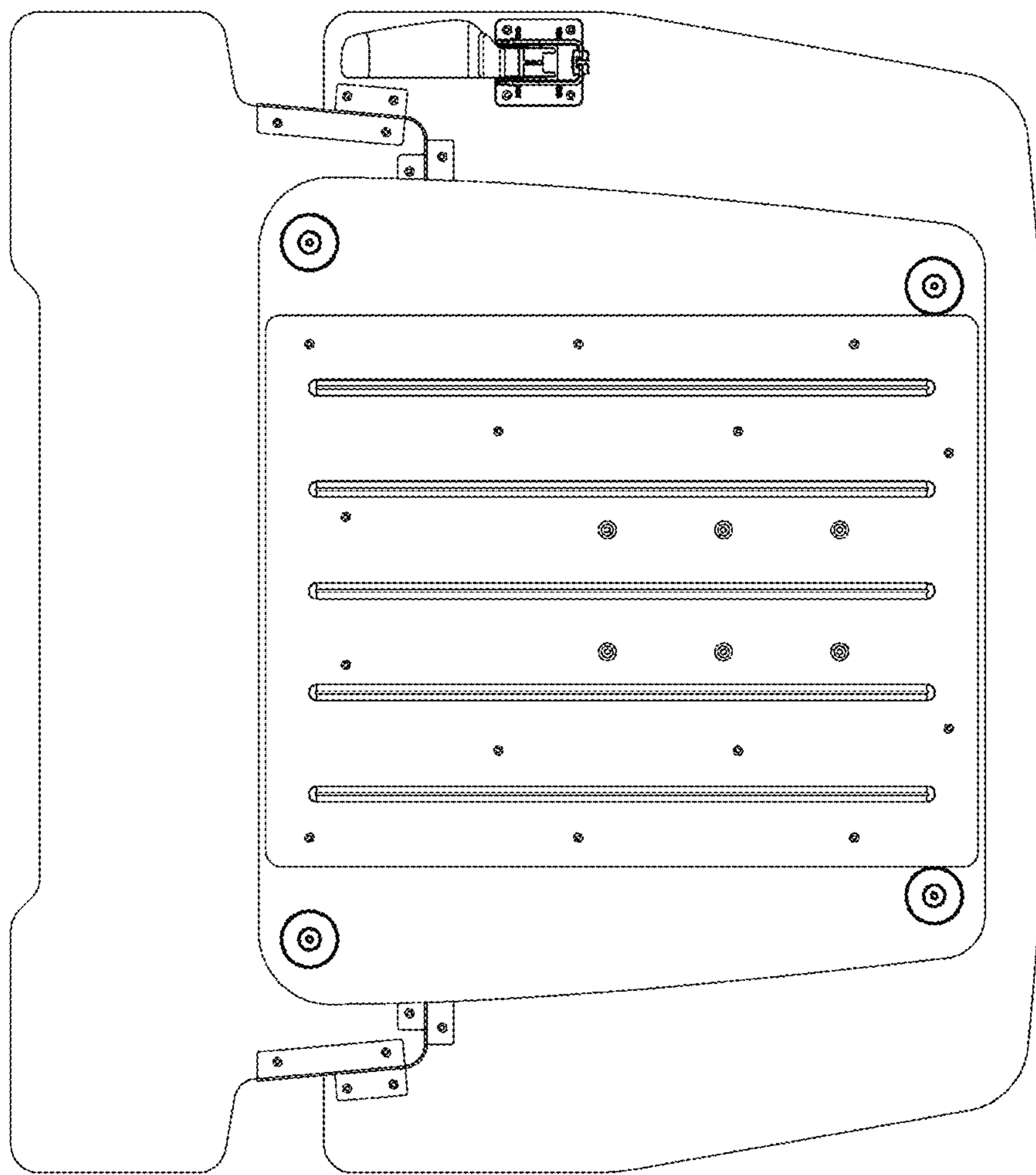


FIG.10

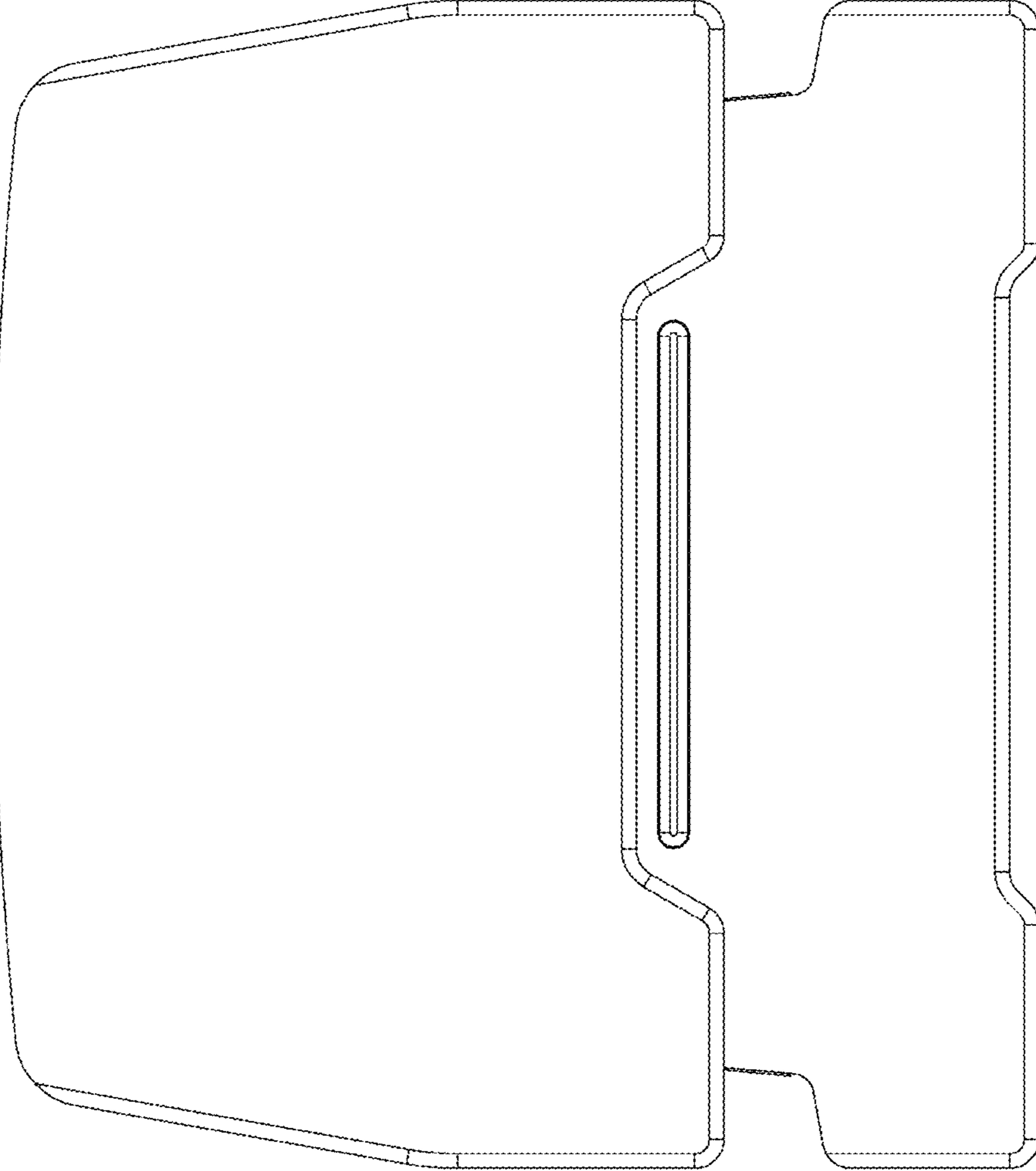


FIG.11

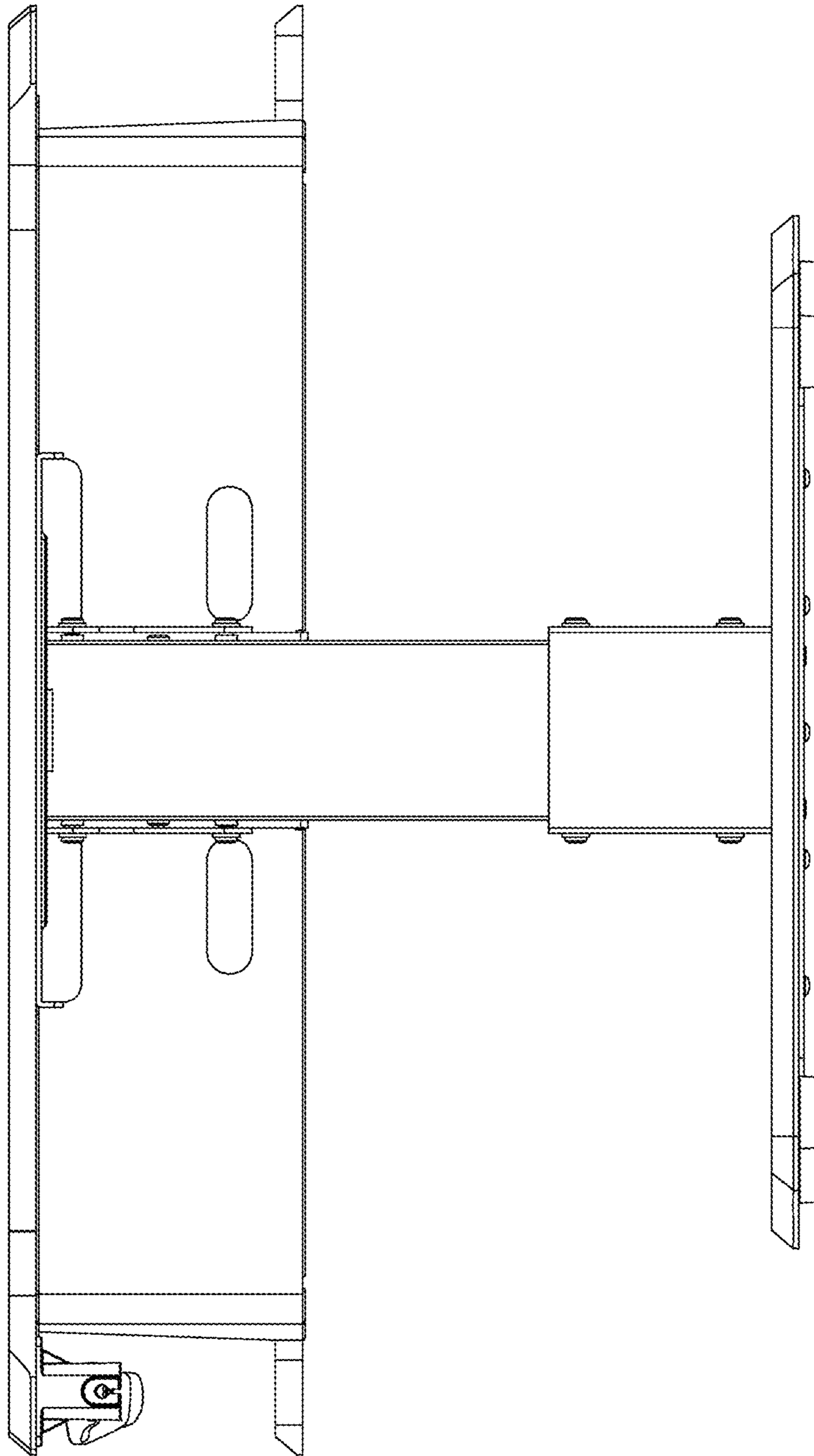


FIG.12

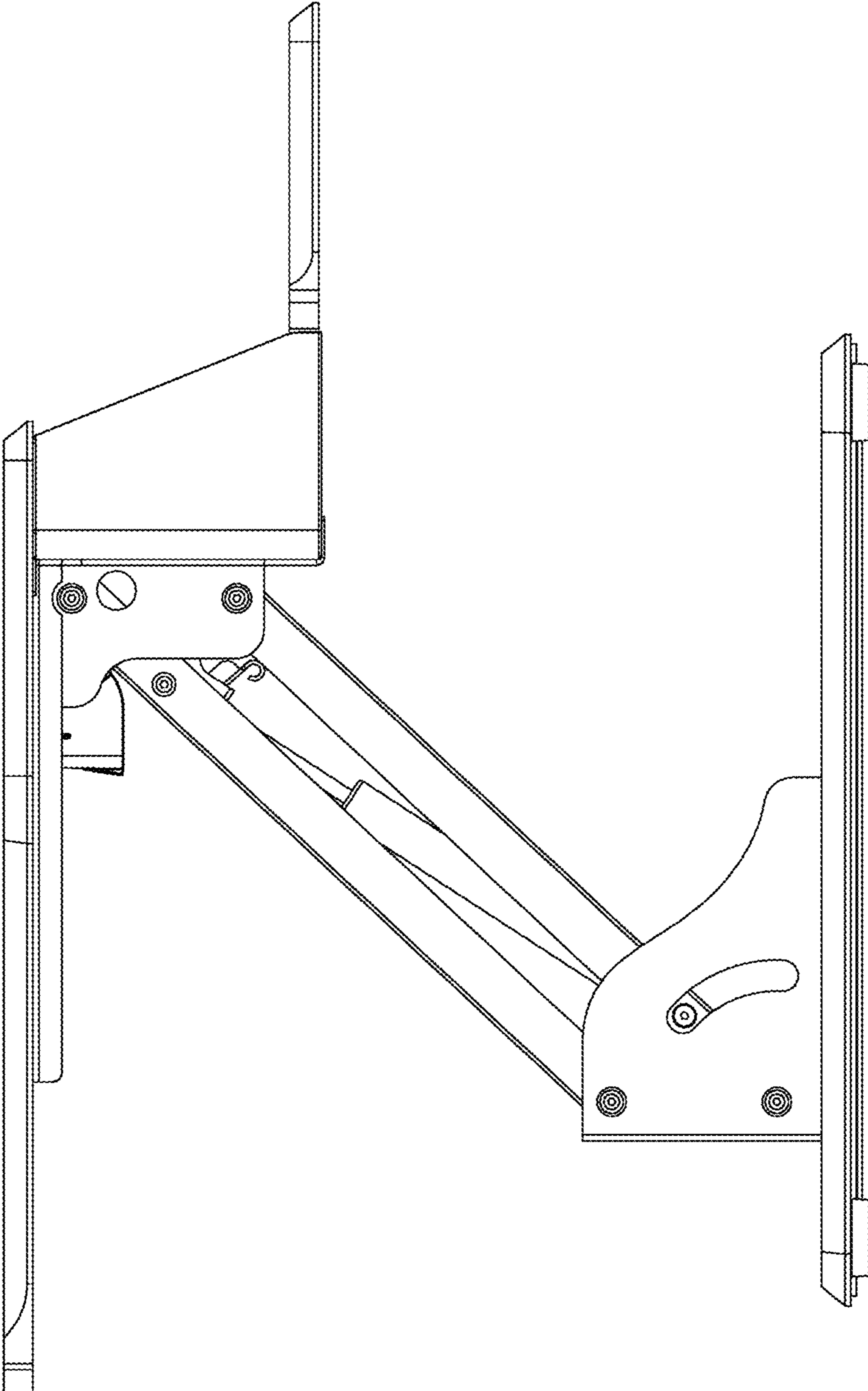


FIG.13

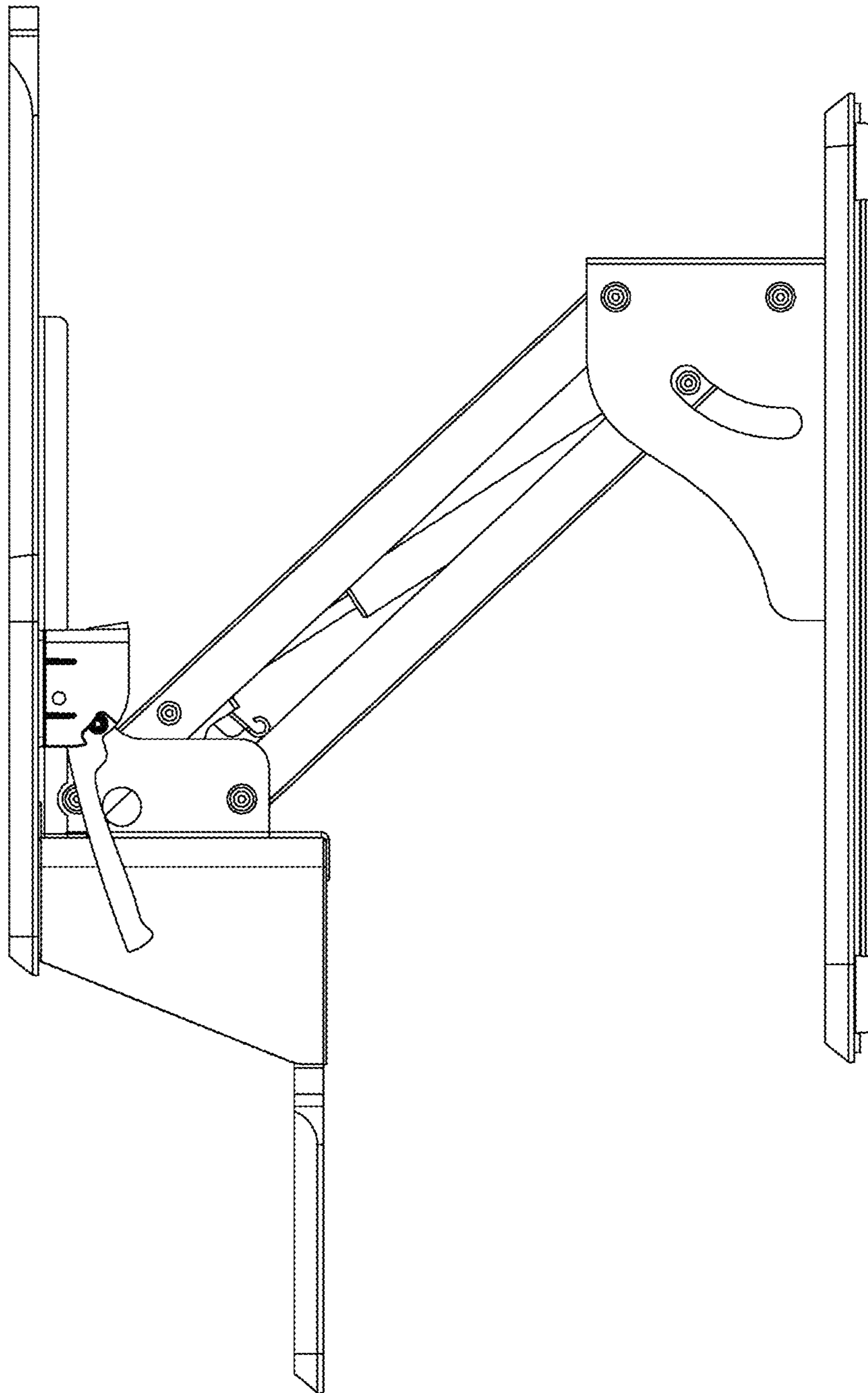


FIG.14