



US00D832001S

(12) **United States Design Patent** (10) **Patent No.:** **US D832,001 S**
Abel (45) **Date of Patent:** **** Oct. 30, 2018**

(54) **VOTING TERMINAL STORAGE WITH TRANSPORT CART**

(71) Applicant: **Gary V Abel**, Ellicott City, MD (US)

(72) Inventor: **Gary V Abel**, Ellicott City, MD (US)

(**) Term: **15 Years**

(21) Appl. No.: **29/570,089**

(22) Filed: **Jul. 5, 2016**

(51) **LOC (11) Cl.** **06-03**

(52) **U.S. Cl.**
 USPC **D6/643.1**

(58) **Field of Classification Search**
 USPC D6/641, 642, 648, 648.1, 648.2, 648.3, 648.4, 649, 653, 654.1, 655, 655.11, 655.13, 656, 656.15, 699, 708, 708.16, 708.17, 709, 709.2, 343
 CPC A47B 7/00; A47B 13/08; A47B 13/10; A47B 21/00; A47B 2009/006; A47B 11/00; A47B 2200/002; A47B 37/00; G07C 3/005; G07C 13/00
 See application file for complete search history.

(56) **References Cited**

U.S. PATENT DOCUMENTS

73,796 A * 1/1868 Gilberts A47B 37/00 108/50.11

224,385 A * 2/1880 Gianfagna G07C 13/00 235/107

1,108,384 A * 8/1914 Buck G07C 13/00 235/50 R

1,514,038 A * 11/1924 Douglas E04H 1/1255 52/239

D216,991 S * 3/1970 Douglas D6/643.1

D217,261 S * 4/1970 Gianfagna D6/691.8

3,550,540 A * 12/1970 Harris A47B 3/10 108/173

3,861,325 A * 1/1975 Bue A47B 3/083 108/13

3,971,327 A * 7/1976 Critchett A47B 3/06 108/159

D244,114 S * 4/1977 Neff D6/691.8

D279,737 S * 7/1985 Lavenger D6/641

D280,050 S * 8/1985 Kempf D6/329

4,660,904 A * 4/1987 Stephens A47B 19/08 108/34

(Continued)

Primary Examiner — Mary Ann Calabrese
Assistant Examiner — Sloan Rozin
 (74) *Attorney, Agent, or Firm* — Baker Donelson, PC;
 Royal W. Craig

(57) **CLAIM**

The ornamental design for a voting terminal storage with transport cart, as shown and described.

DESCRIPTION

FIG. 1 is a front perspective view of the voting terminal storage with transport cart according to an embodiment of the present design.

FIG. 2 is a front view of the voting terminal storage with transport cart as in FIG. 1.

FIG. 3 is a rear view of voting terminal storage with transport cart as in FIGS. 1-2.

FIG. 4 is a left side view of voting terminal storage with transport cart as in FIGS. 1-3.

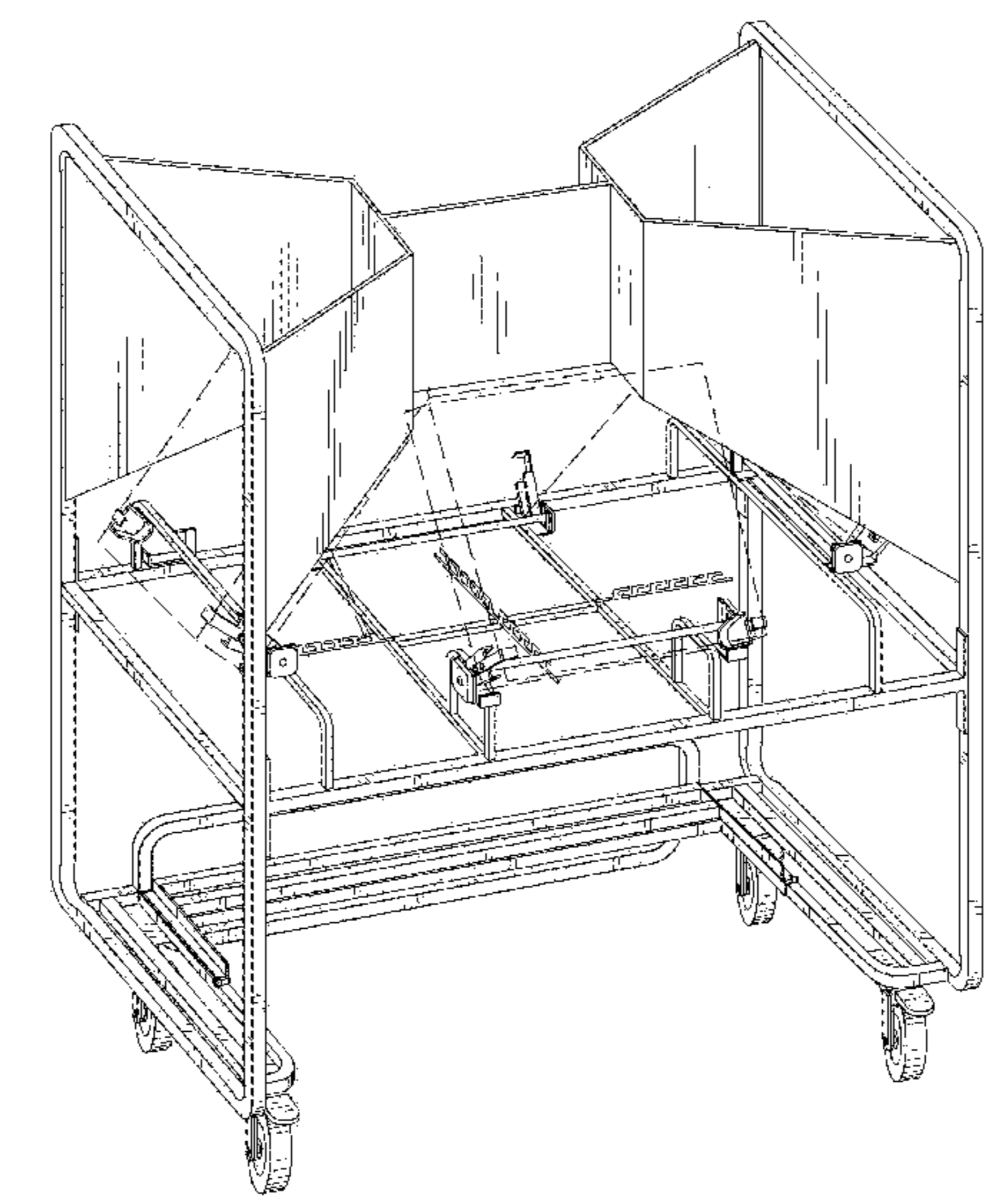
FIG. 5 is a right side view of the voting terminal storage with transport cart as in FIGS. 1-4.

FIG. 6 is a top view of the voting terminal storage with transport cart as in FIGS. 1-5; and,

FIG. 7 is a bottom view of the voting terminal storage with transport cart as in FIGS. 1-6.

The present design is a voting terminal storage with transport cart. The broken line showing of elements on the voting terminal storage with transport cart illustrate portions of the article and form no part of the claimed design.

1 Claim, 6 Drawing Sheets



(56)

References Cited

U.S. PATENT DOCUMENTS

4,854,652 A * 8/1989 Ahmann A47B 3/10
108/41
5,558,920 A * 9/1996 Heide A47B 37/00
248/637
5,666,765 A * 9/1997 Sarnier A47B 37/00
235/51
D424,828 S * 5/2000 Ko D6/653.1
D428,279 S * 7/2000 Olson D6/707.15
D464,212 S * 10/2002 Chen D6/653.1
6,827,262 B2 * 12/2004 McClure G07C 13/00
235/386
D510,492 S * 10/2005 Sakurai D6/709
D558,490 S * 1/2008 Christensen D6/691.5
D586,155 S * 2/2009 Lenterman D6/654
D601,370 S * 10/2009 Kohler D6/708
D611,734 S * 3/2010 Stukenberg D6/691.8
D611,735 S * 3/2010 Stukenberg D6/691.8

D614,889 S * 5/2010 Van Duysen D6/691.5
8,006,986 B1 * 8/2011 Pazhoor E04H 1/1255
280/47.34
D646,502 S * 10/2011 Pazhoor D6/643
8,308,173 B2 * 11/2012 Pazhoor G07C 13/005
280/47.34
D671,764 S * 12/2012 Pazhoor D6/643
D671,765 S * 12/2012 Pazhoor D6/643
D671,766 S * 12/2012 Pazhoor D6/643
D671,767 S * 12/2012 Pazhoor D6/643
D671,768 S * 12/2012 Pazhoor D6/643
D673,387 S * 1/2013 Pazhoor D6/686
D673,388 S * 1/2013 Pazhoor D6/686
D673,389 S * 1/2013 Pazhoor D6/686
D686,438 S * 7/2013 Denby D6/687
D784,740 S * 4/2017 Chipperfield D6/337
D802,347 S * 11/2017 Yoshida D6/709.21
2003/0168570 A1 * 9/2003 Peters A47B 37/00
248/444.1

* cited by examiner

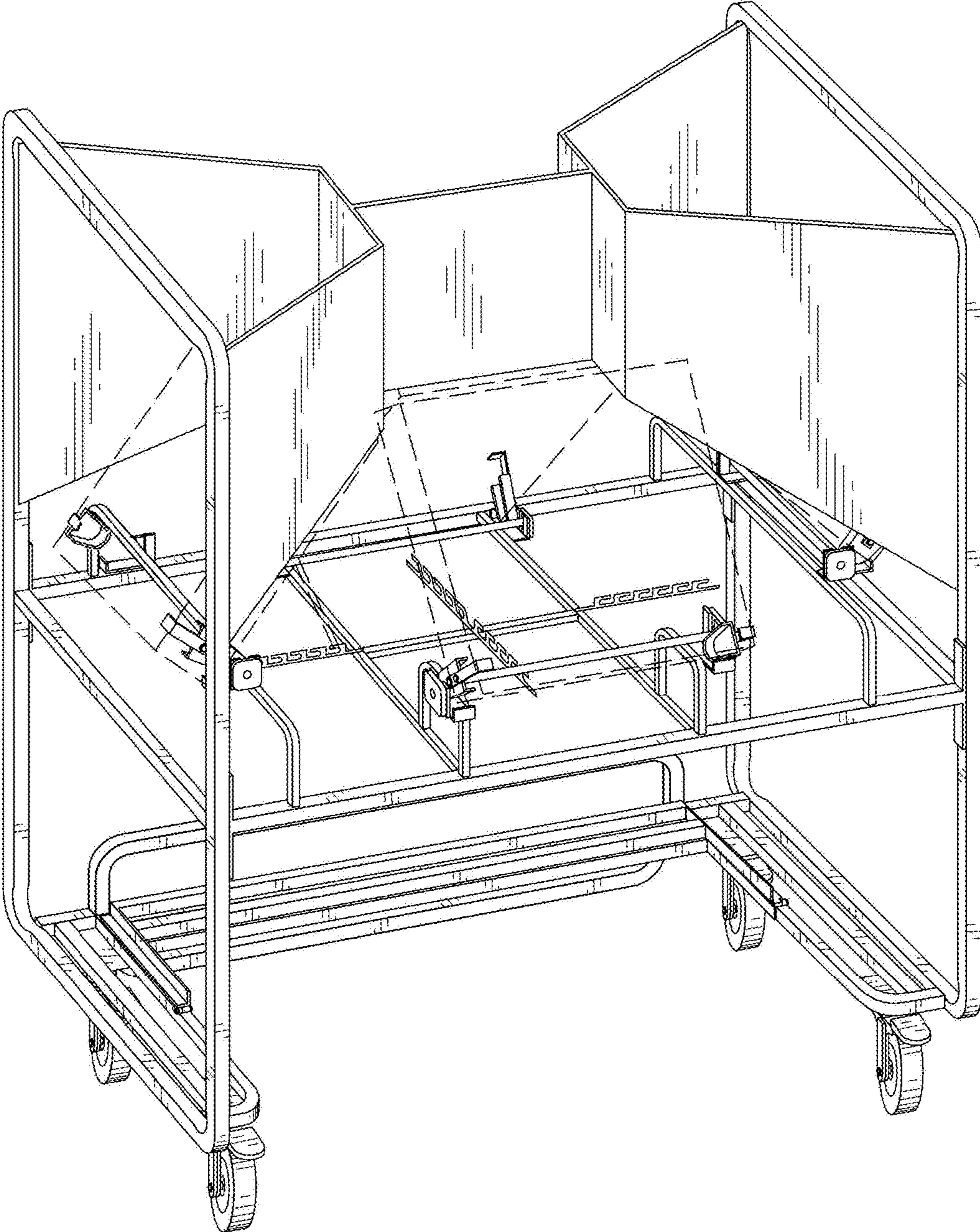


Fig. 1

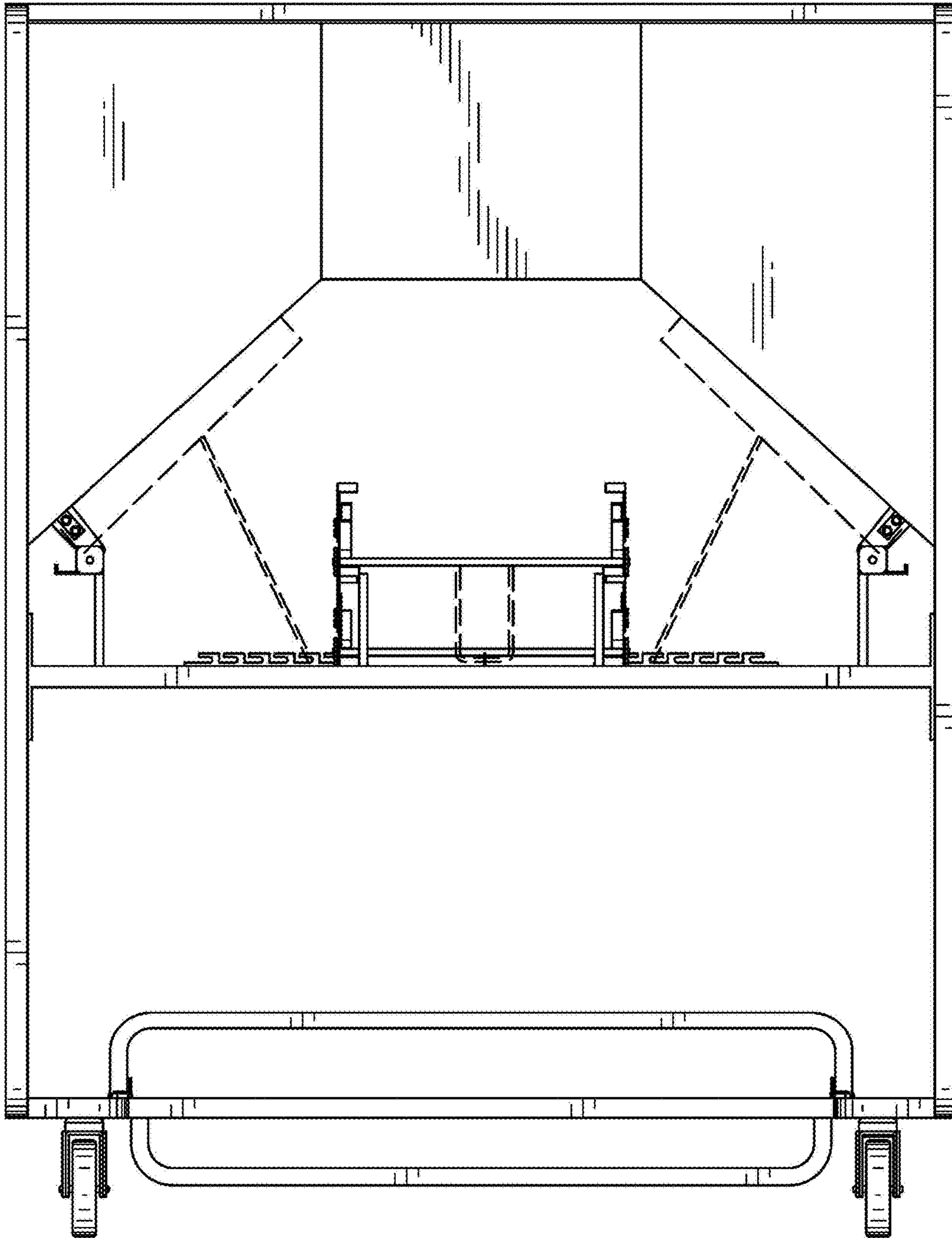


Fig. 2

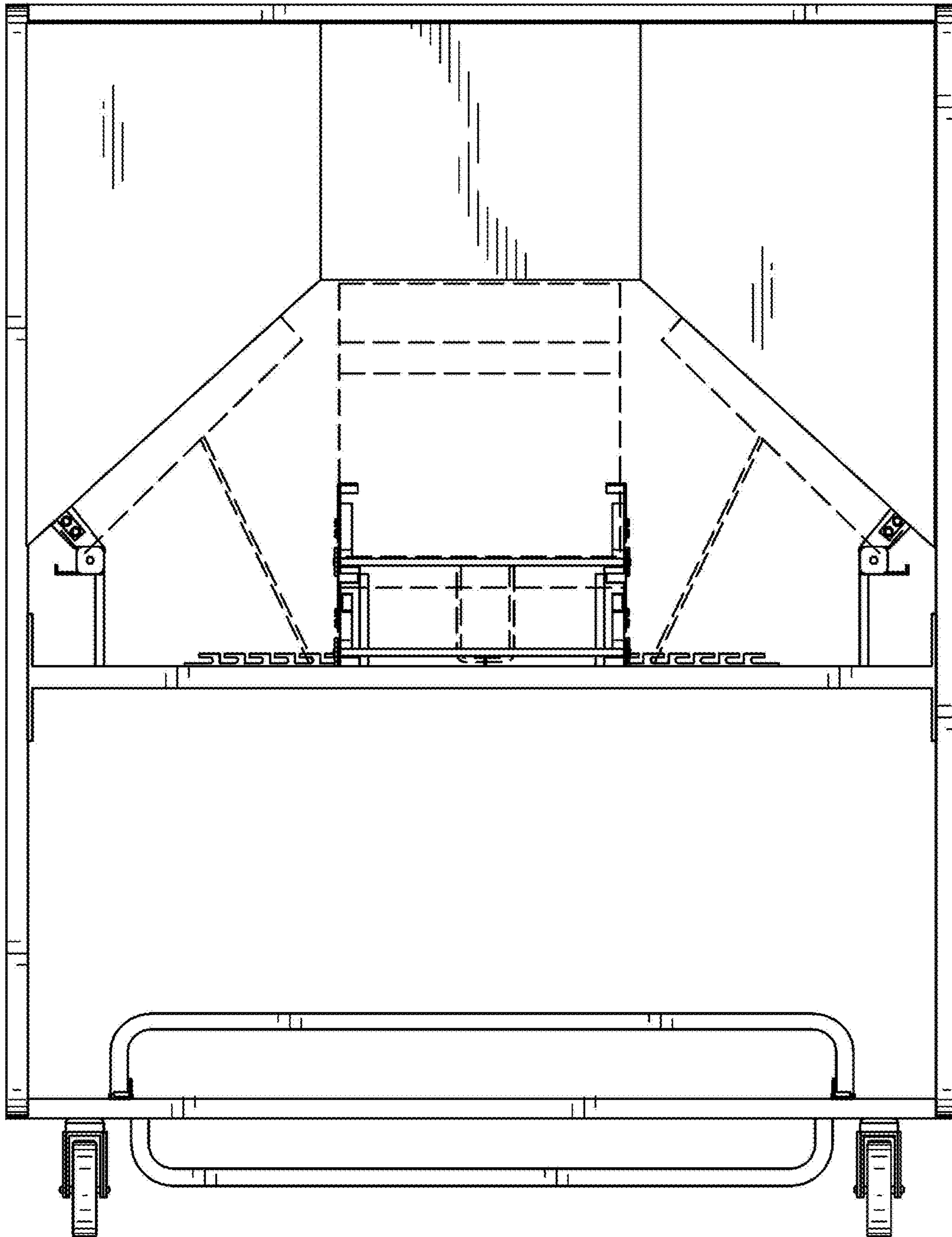


Fig. 3

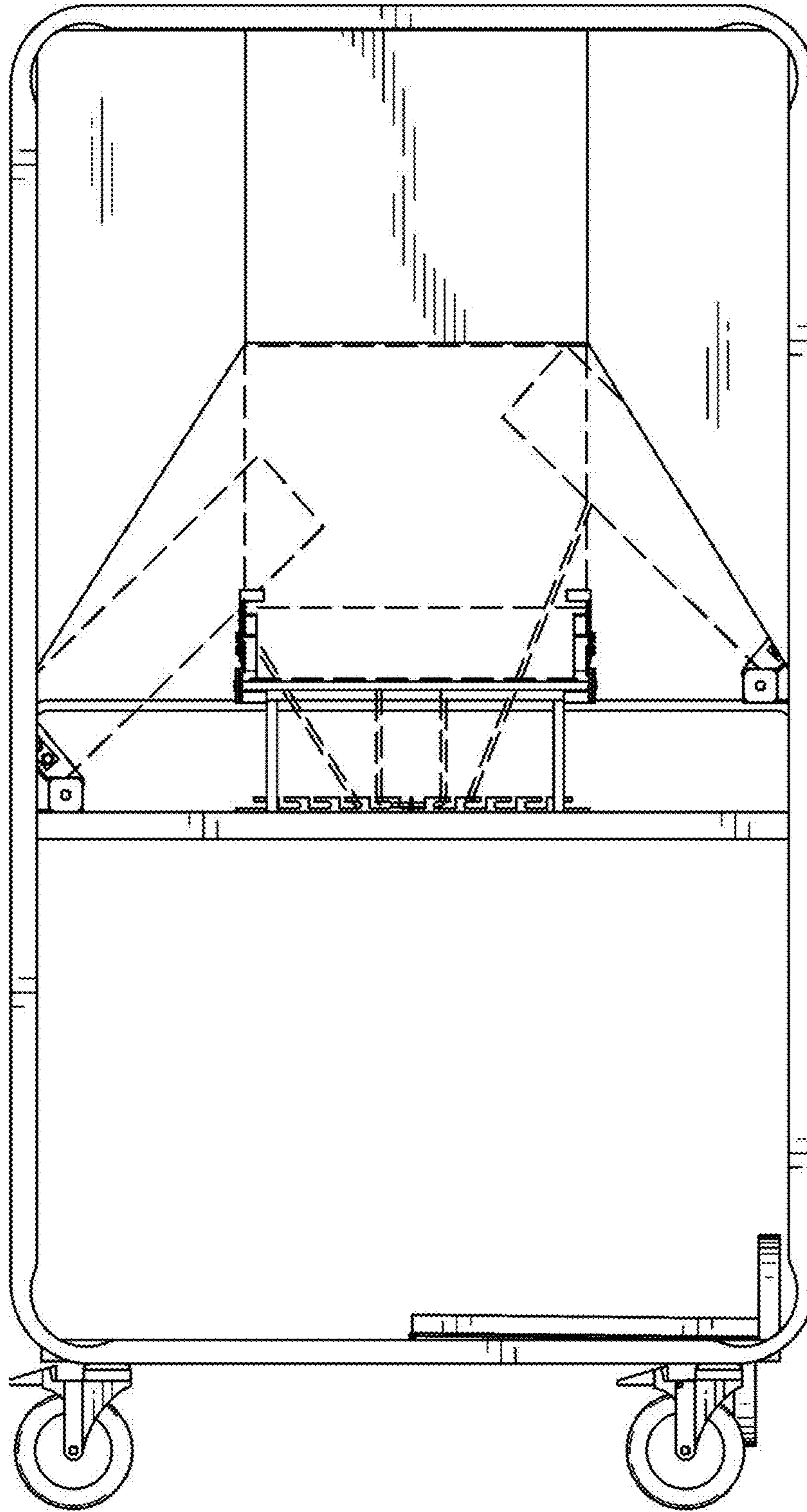


Fig. 4

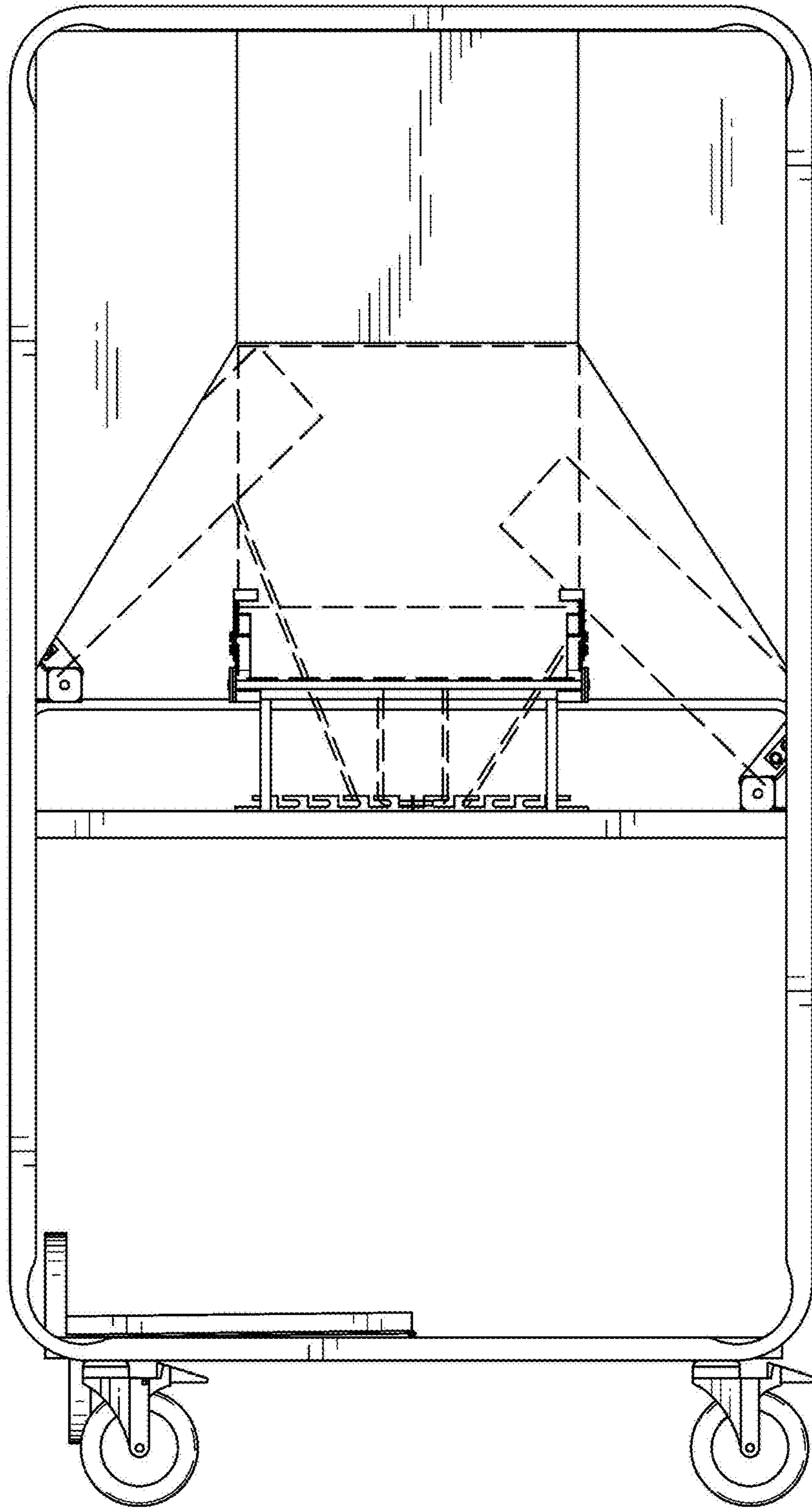


Fig. 5

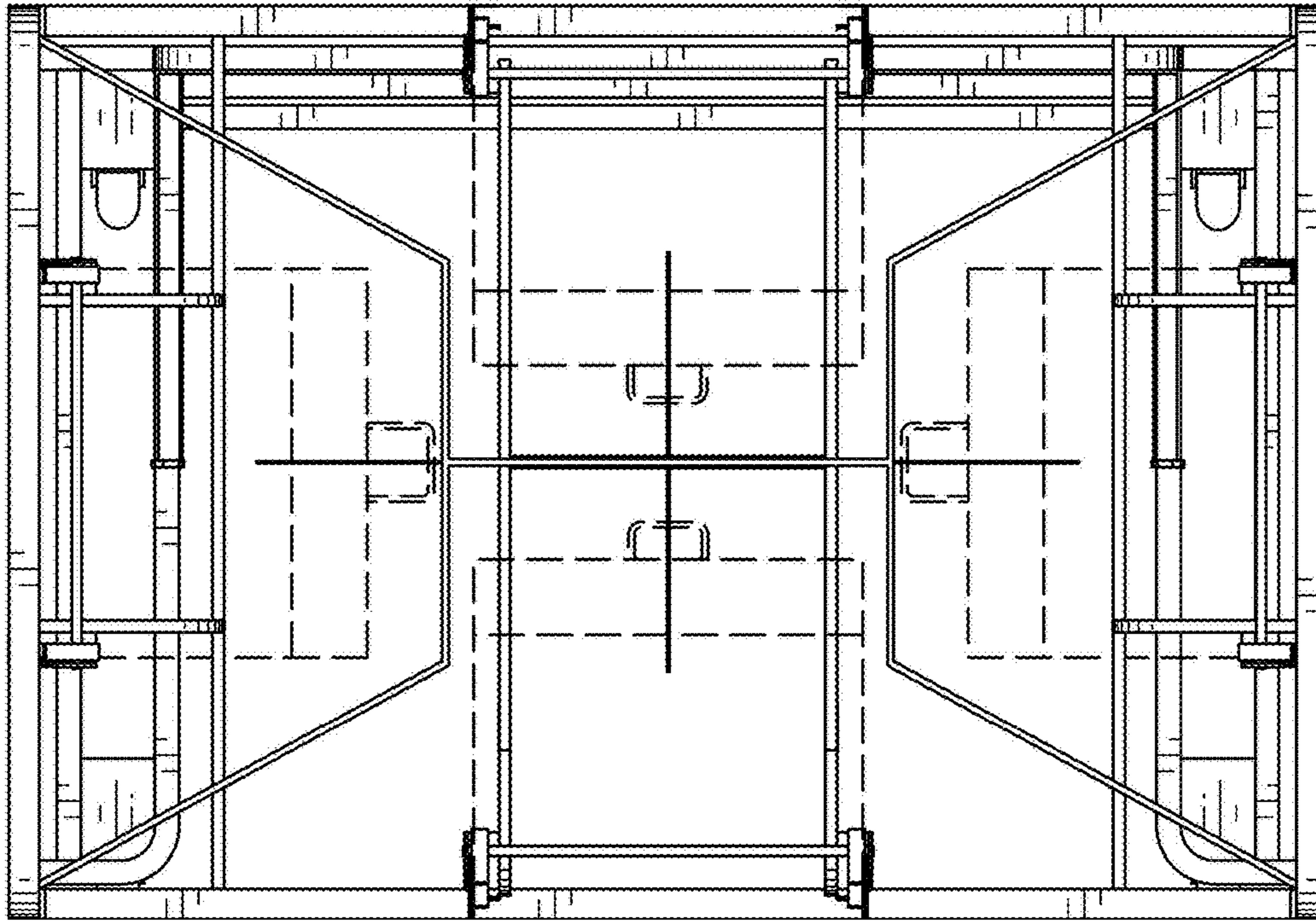


Fig. 6

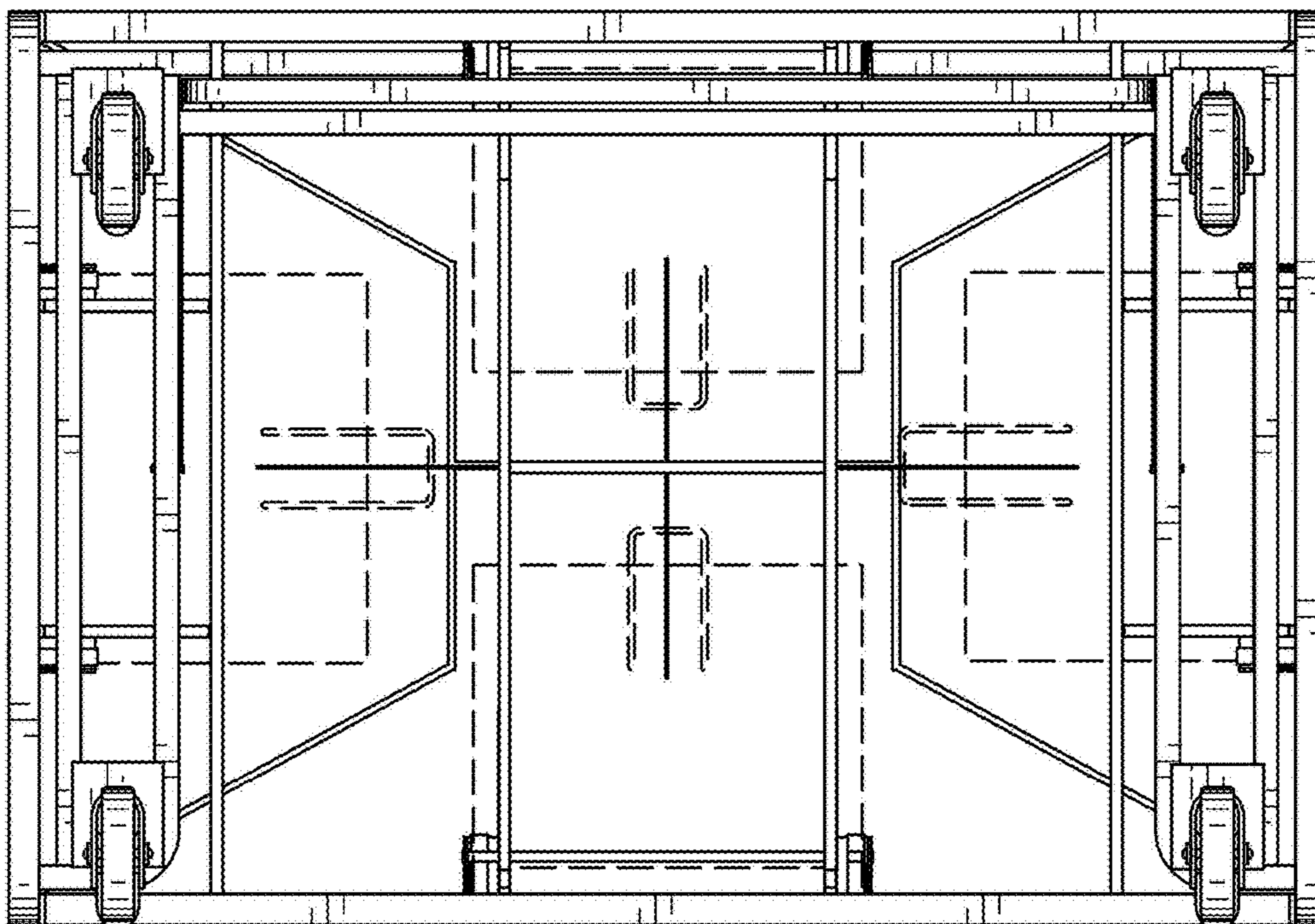


Fig. 7