

US00D831996S

(12) **United States Design Patent** (10) **Patent No.:** **US D831,996 S**  
**Grabes et al.** (45) **Date of Patent:** **\*\* Oct. 30, 2018**

(54) **RAZOR STAND**

(71) Applicant: **The Gillette Company LLC**, Boston, MA (US)

(72) Inventors: **Oliver Felix Grabes**, Frankfurt (DE); **Frank Burkhardt**, Coppet (CH); **Daniel Frickinger**, Frankfurt (DE); **Philipp Goeder**, Frankfurt (DE); **Patrick Koehler**, Frankfurt am Main (DE); **Christoph Ptok**, Frankfurt am Main (DE); **Martin Wenzlawiak**, Frankfurt am Main (DE); **Nils Gruendler**, Frankfurt (DE)

(73) Assignee: **The Gillette Company LLC**, Boston, MA (US)

(\*\*) Term: **15 Years**

(21) Appl. No.: **29/584,441**

(22) Filed: **Nov. 15, 2016**

(51) **LOC (11) Cl.** ..... **28-03**

(52) **U.S. Cl.**  
USPC ..... **D6/526**

(58) **Field of Classification Search**

USPC ..... D6/526, 527, 512, 524, 528, 534, 540; D3/201, 205; D9/737, 748, 749, 448; 206/244, 352, 361, 362.1, 362.2, 362.3, 206/208, 209, 228, 252, 354-360, 493, 206/775; 30/42-46, 514; 211/13.1, 66, 211/70.6, 86.01, 87.01, 89.01; 248/127, 248/176.1, 200, 205.5, 309.1, 314; D16/202, 219, 242; D13/108; D10/70; D24/186  
CPC . B26B 19/3806; B26B 19/3853; B26B 21/52; B26B 21/10; B26B 21/4006; B26B 21/522; B26B 21/40; B26B 21/36; B26B 19/14; B26B 19/38; B26B 19/382; B26B 19/3813; B65D 73/0064; B65D 73/0014; B65D 77/26; B65D 85/1081; B65D 5/5016; B65D 71/70; B65D 25/106; B65D 25/22

See application file for complete search history.

(56) **References Cited**

U.S. PATENT DOCUMENTS

|              |         |                |       |         |
|--------------|---------|----------------|-------|---------|
| D529,533 S * | 10/2006 | Oh             | ..... | D16/242 |
| D544,264 S   | 6/2007  | Gallagher      |       |         |
| D557,320 S * | 12/2007 | Fisher         | ..... | D16/219 |
| D557,321 S * | 12/2007 | Fisher         | ..... | D16/219 |
| D564,272 S * | 3/2008  | Quach          | ..... | D6/526  |
| D572,063 S   | 7/2008  | Provost et al. |       |         |
| D576,436 S * | 9/2008  | Provost        | ..... | D6/526  |
| D577,998 S * | 10/2008 | Decottignies   | ..... | D9/448  |

(Continued)

OTHER PUBLICATIONS

U.S. Appl. No. 29/584,440, filed Nov. 15, 2016, Brian Patrick Watson et al.

*Primary Examiner* — Wan Laymon

*Assistant Examiner* — Mark Booker

(74) *Attorney, Agent, or Firm* — Kevin C. Johnson

(57) **CLAIM**

The ornamental design for a razor stand, as shown and described.

**DESCRIPTION**

FIG. 1 is a perspective view of a razor stand showing our new design;

FIG. 2 is a front view thereof;

FIG. 3 is a rear view thereof;

FIG. 4 is a right side view thereof;

FIG. 5 is a left side view thereof;

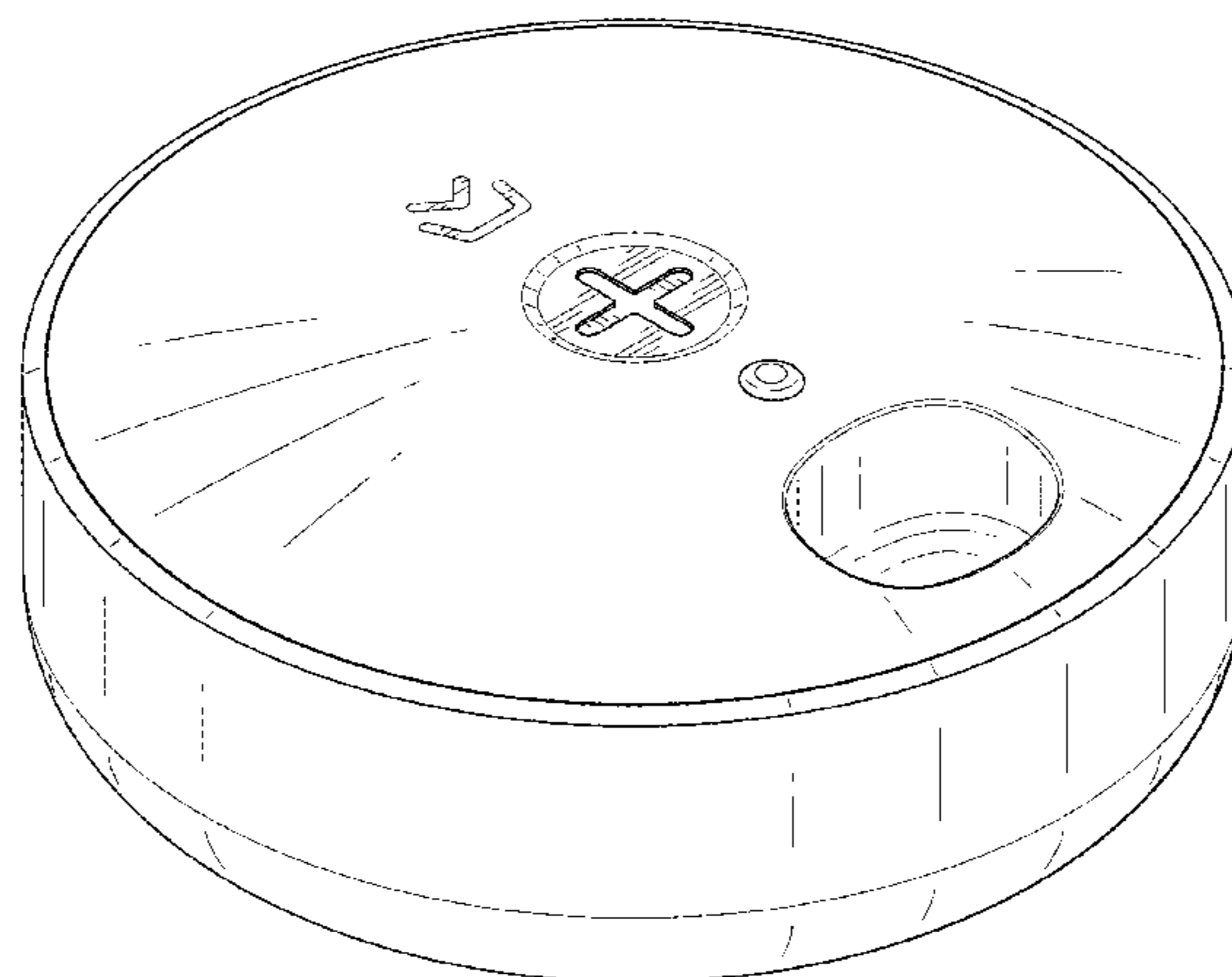
FIG. 6 is a top view thereof;

FIG. 7 is a bottom view thereof; and,

FIG. 8 is another perspective view thereof.

The broken lines are directed to the environment and are for illustrative purposes only and form no part of the claimed design.

**1 Claim, 6 Drawing Sheets**



(56)

**References Cited**

U.S. PATENT DOCUMENTS

|              |         |                        |           |
|--------------|---------|------------------------|-----------|
| D634,955 S   | 3/2011  | Cavazos Jimenez et al. |           |
| D657,740 S * | 4/2012  | Prat-Pfister .....     | D13/108   |
| D675,048 S   | 1/2013  | Coresh                 |           |
| D677,090 S   | 3/2013  | Floyd et al.           |           |
| D677,503 S   | 3/2013  | Floyd et al.           |           |
| D695,544 S   | 12/2013 | Floyd et al.           |           |
| D695,545 S   | 12/2013 | Floyd et al.           |           |
| D699,473 S   | 2/2014  | Szczepanowski et al.   |           |
| D745,916 S * | 12/2015 | Oh .....               | D16/134   |
| D776,180 S * | 1/2017  | Fiedler .....          | D16/202   |
| D783,838 S * | 4/2017  | Zhao .....             | D24/186   |
| D790,372 S * | 6/2017  | Daoura .....           | D10/104.1 |

\* cited by examiner

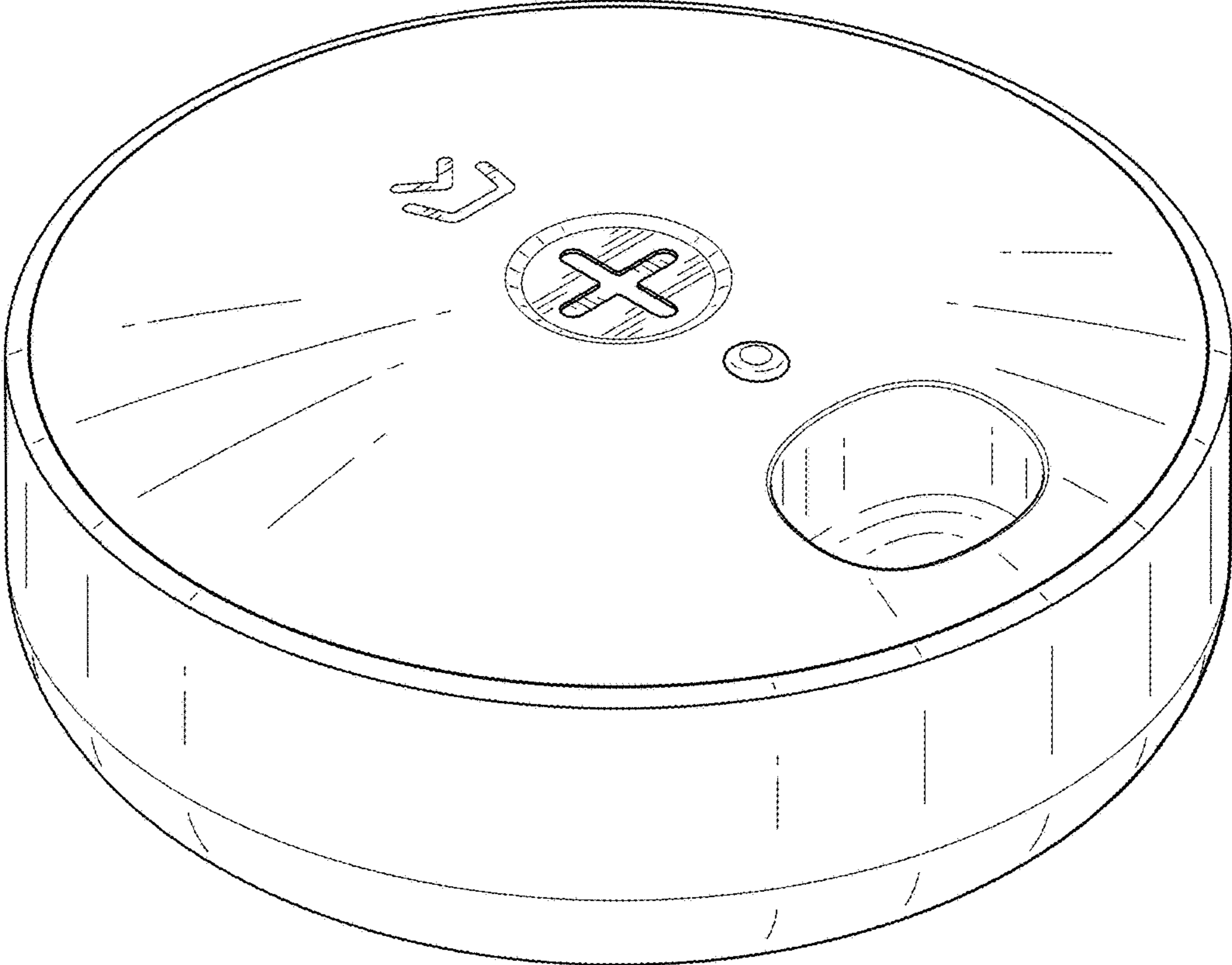


FIG. 1

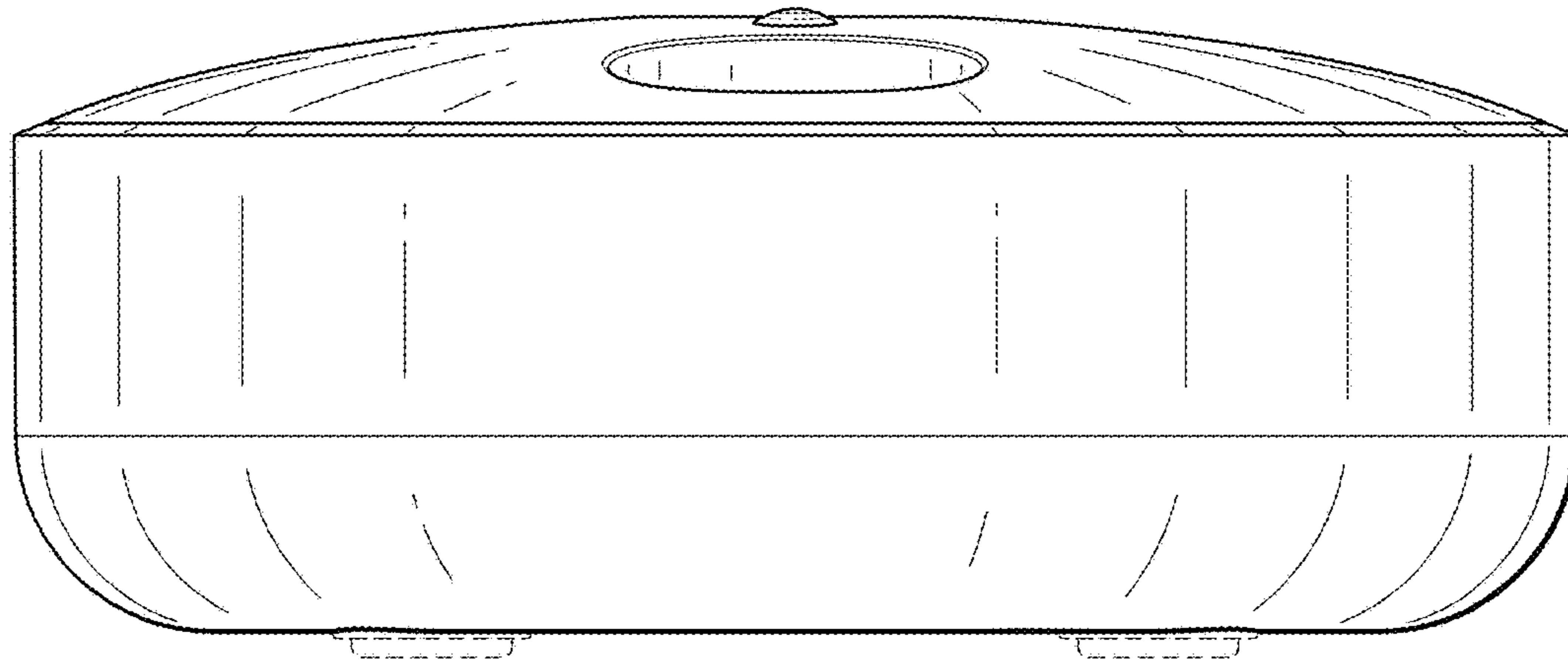


FIG. 2

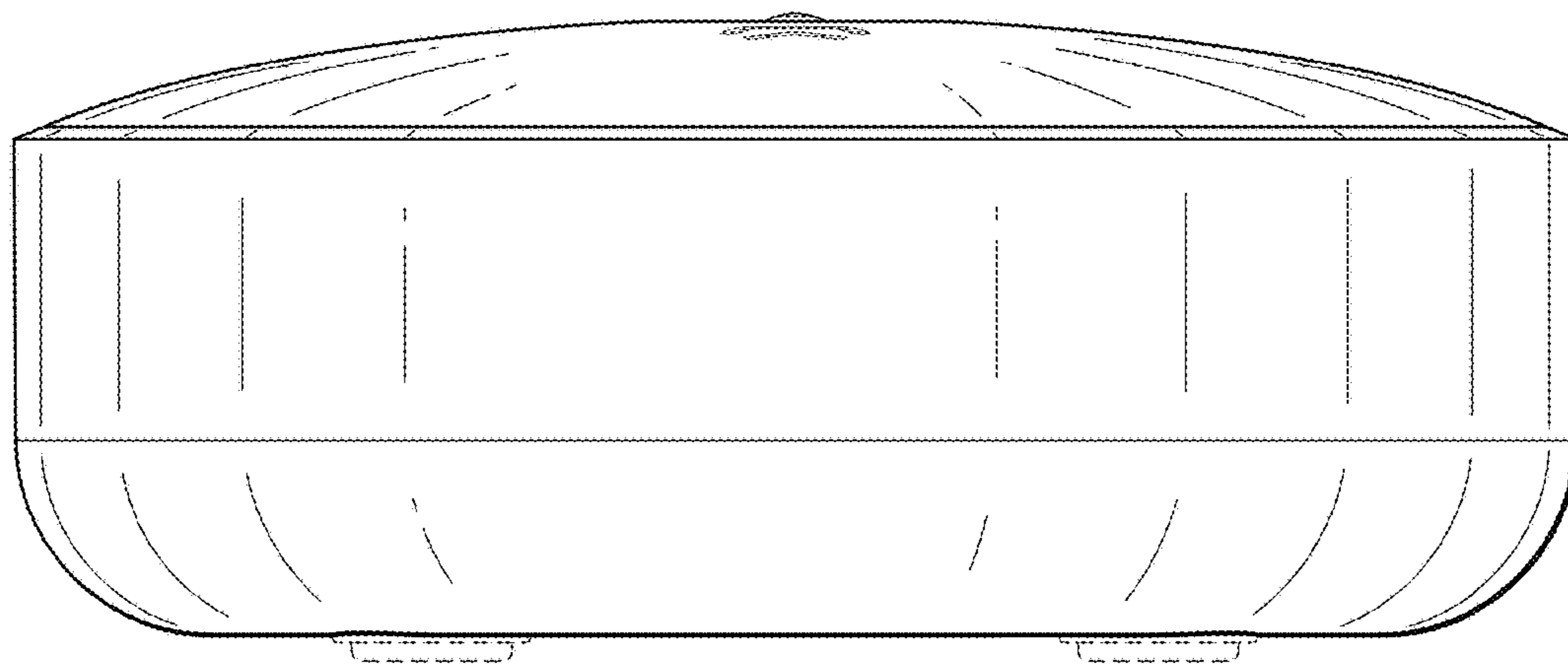


FIG. 3

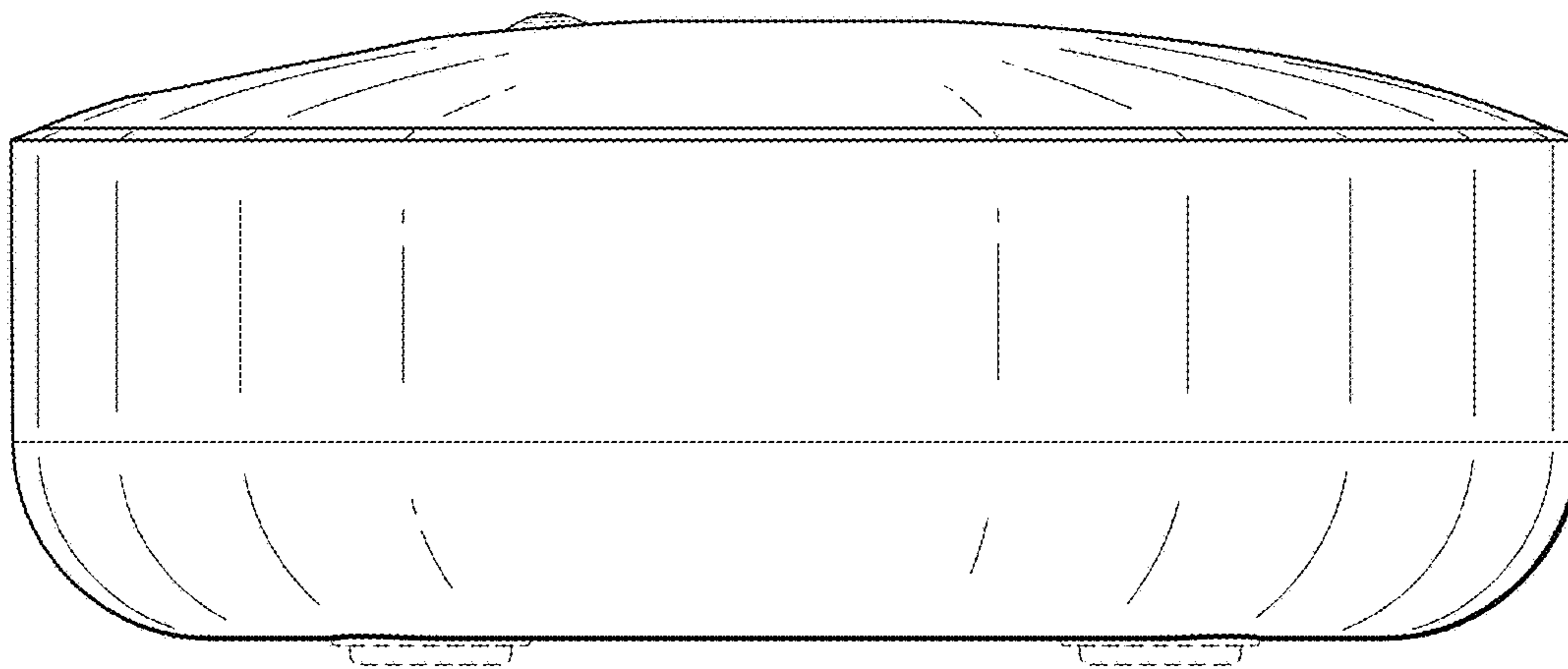


FIG. 4

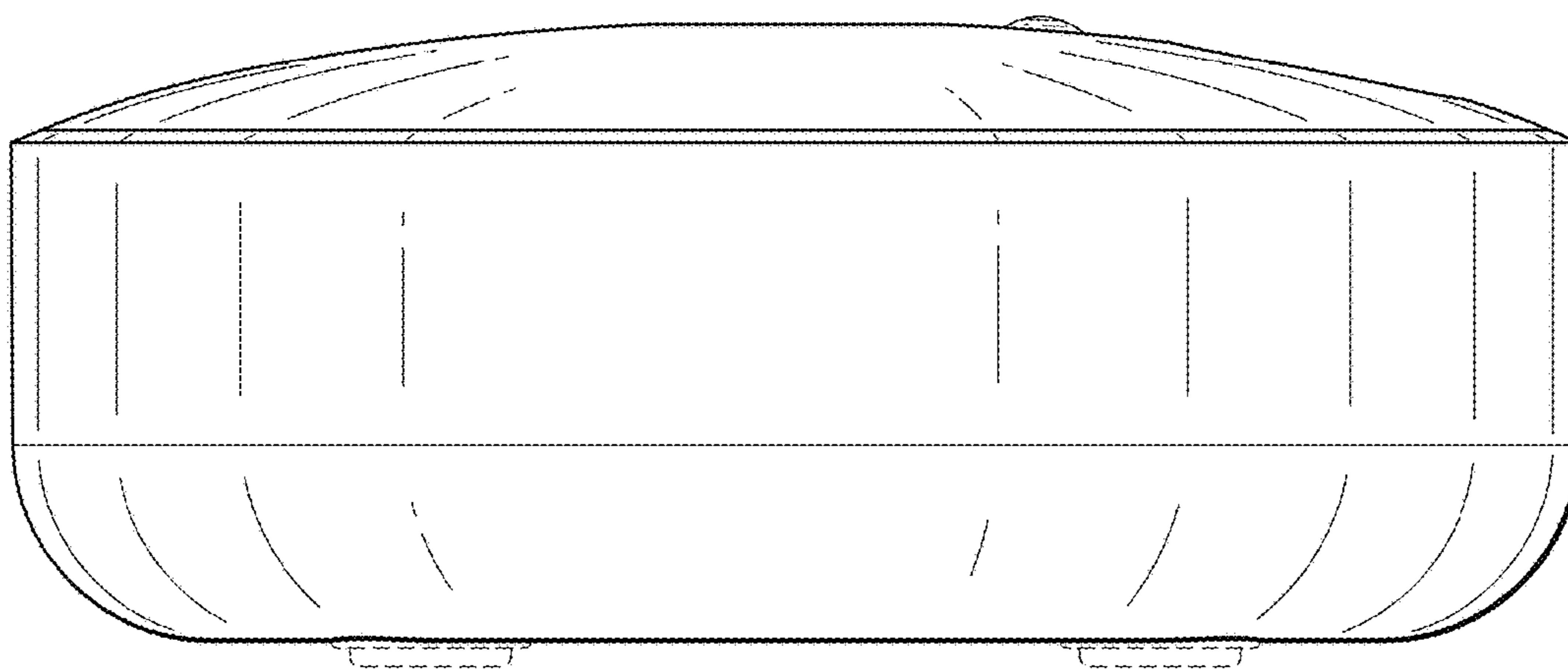


FIG. 5



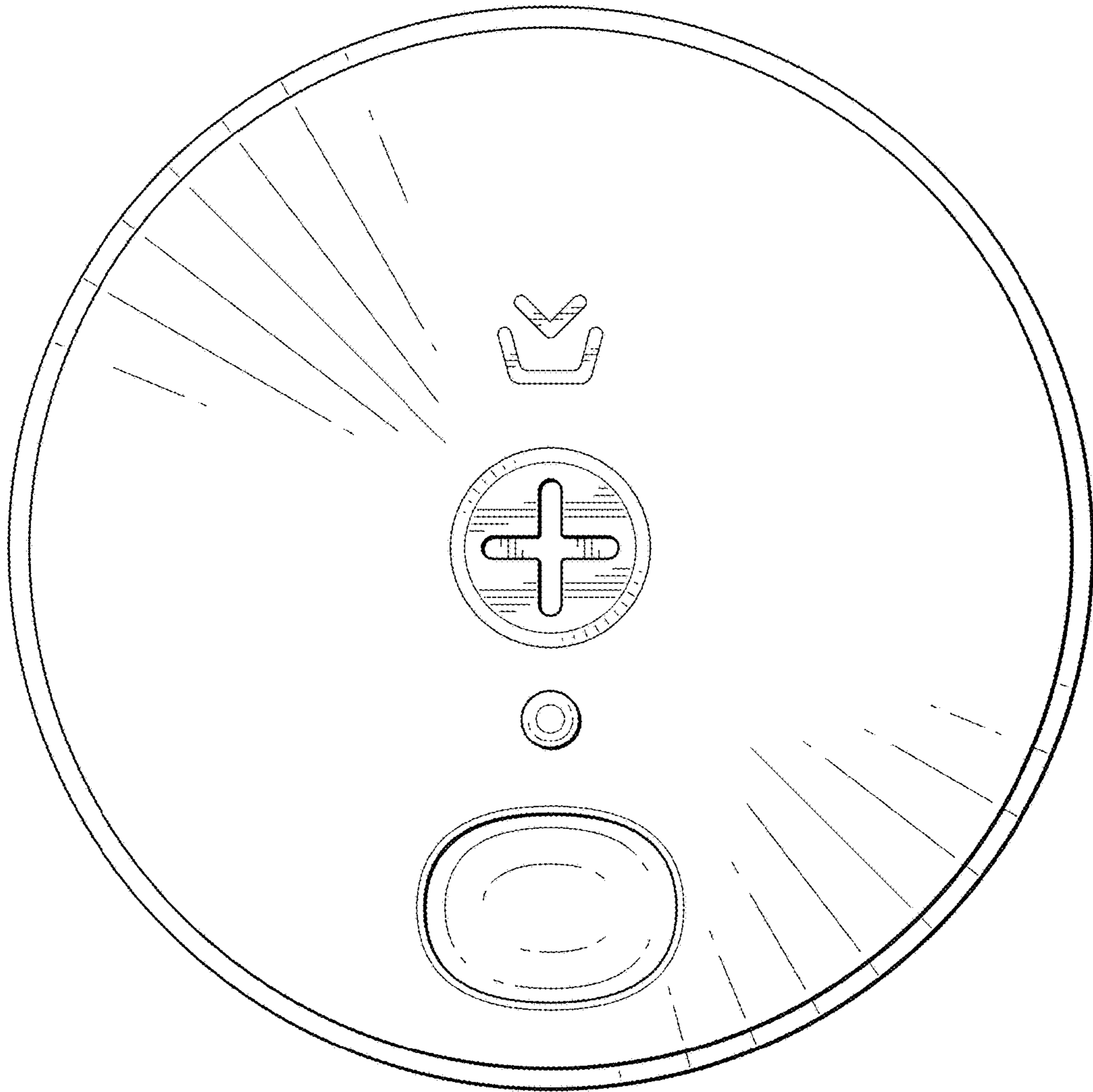


FIG. 6

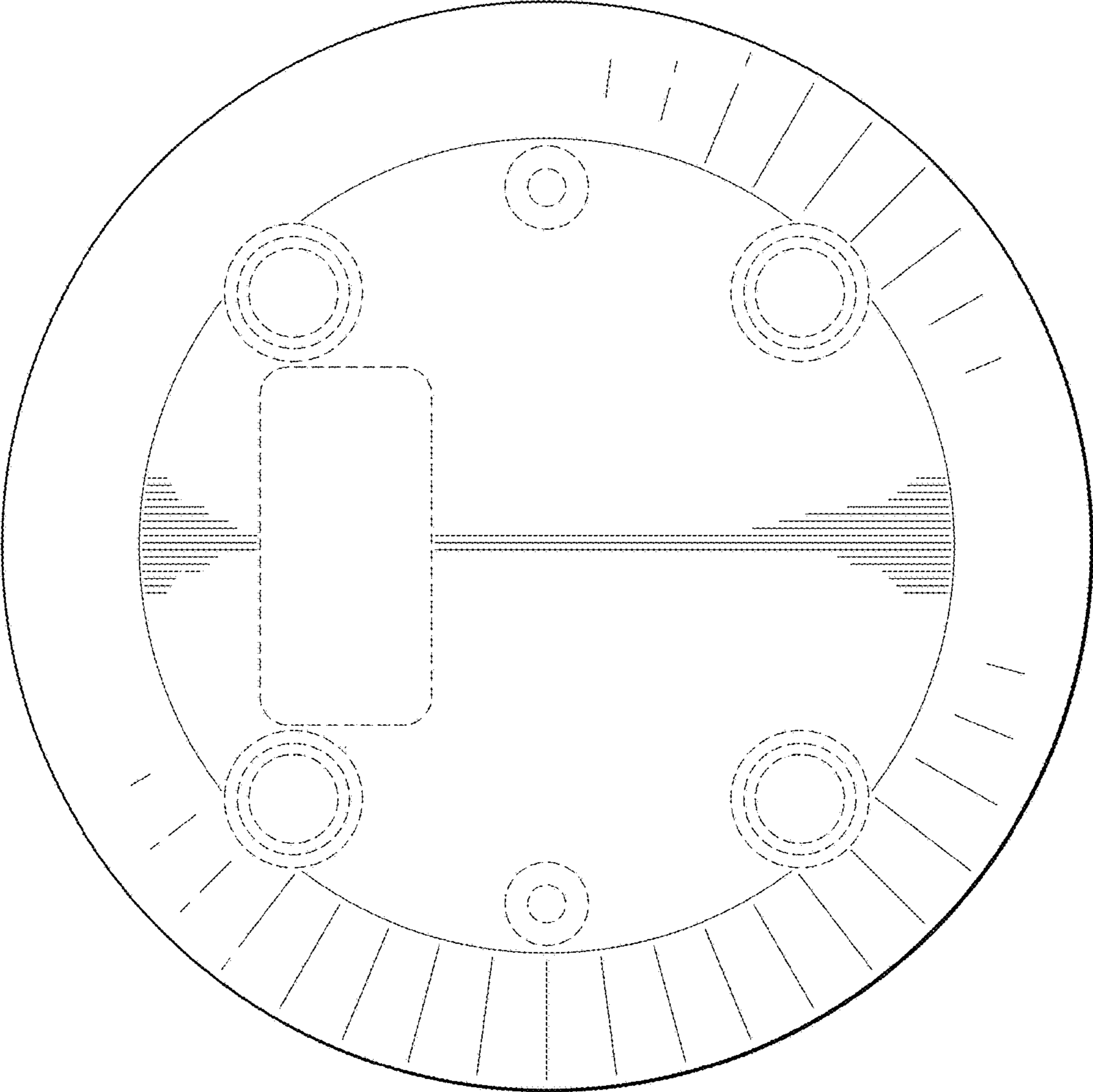


FIG. 7

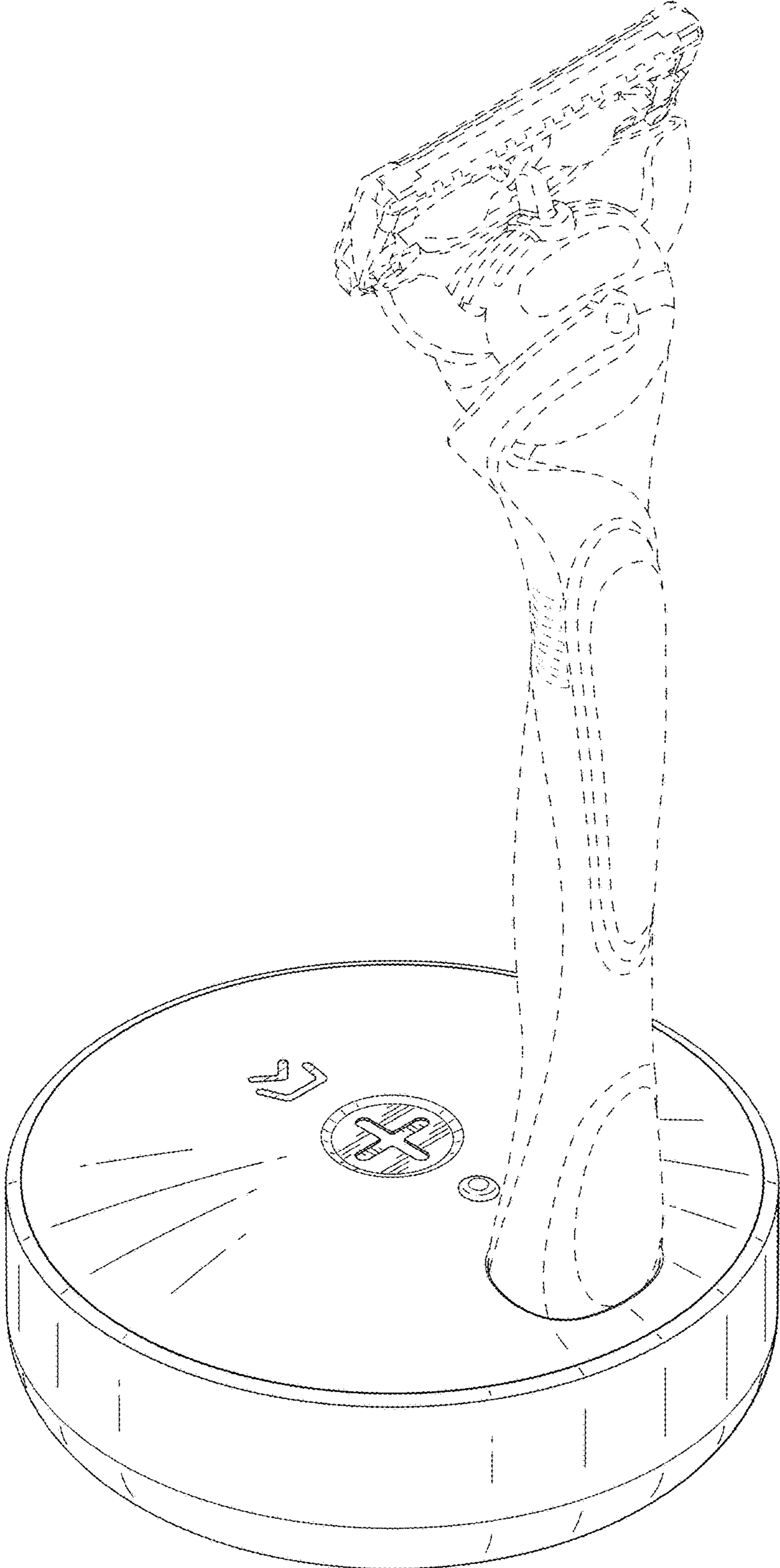


FIG. 8