



US00D831991S

(12) **United States Design Patent**
Meda

(10) **Patent No.:** **US D831,991 S**
(45) **Date of Patent:** **** Oct. 30, 2018**

(54) **CHAIR**

(71) Applicant: **Vitra Patente AG**, Birsfelden (CH)

(72) Inventor: **Alberto Meda**, Milan (IT)

(73) Assignee: **VITRA PATENTE AG**, Birsfelden (CH)

(**) Term: **15 Years**

(21) Appl. No.: **29/595,727**

(22) Filed: **Mar. 1, 2017**

(30) **Foreign Application Priority Data**

Sep. 9, 2016 (WO) DM/092699

(51) **LOC (11) Cl.** **06-01**

(52) **U.S. Cl.**
USPC **D6/366**

(58) **Field of Classification Search**

USPC D6/334-336, 364, 365, 366, 367, 374,
D6/379, 380, 716, 716.1, 716.2, 716.3,
D6/716.4

CPC A47C 3/24; A47C 7/004; A47C 7/006;
A47C 7/40; A47C 7/44; A47C 7/46;
A47C 7/18; A47C 7/24; A47C 7/282

See application file for complete search history.

(56) **References Cited**

U.S. PATENT DOCUMENTS

D390,712 S * 2/1998 Koepke D6/366
7,347,495 B2 * 3/2008 Beyer A47C 7/46
297/284.3

D567,522 S * 4/2008 Igarashi D6/366
D646,915 S * 10/2011 Schweikarth D6/366
D654,280 S * 2/2012 Fujita D6/366
D679,107 S * 4/2013 Darrow D6/366
D708,882 S * 7/2014 Hsuan-Chin D6/716.4
D710,640 S * 8/2014 Usumoto D6/716
D727,076 S * 4/2015 Usumoto D6/716
D795,602 S * 8/2017 Neil D6/366
D801,068 S * 10/2017 Meda D6/366

* cited by examiner

Primary Examiner — Mimosa De

(74) *Attorney, Agent, or Firm* — Dorsey & Whitney LLP

(57) **CLAIM**

The ornamental design of a chair, as shown and described.

DESCRIPTION

FIG. 1 is a front perspective view of a chair;
FIG. 2 is a front view thereof;
FIG. 3 is a right-side view thereof;
FIG. 4 is a back view thereof;
FIG. 5 is a left-side view thereof;
FIG. 6 is a top view thereof; and,
FIG. 7 is a bottom view thereof.

1 Claim, 7 Drawing Sheets

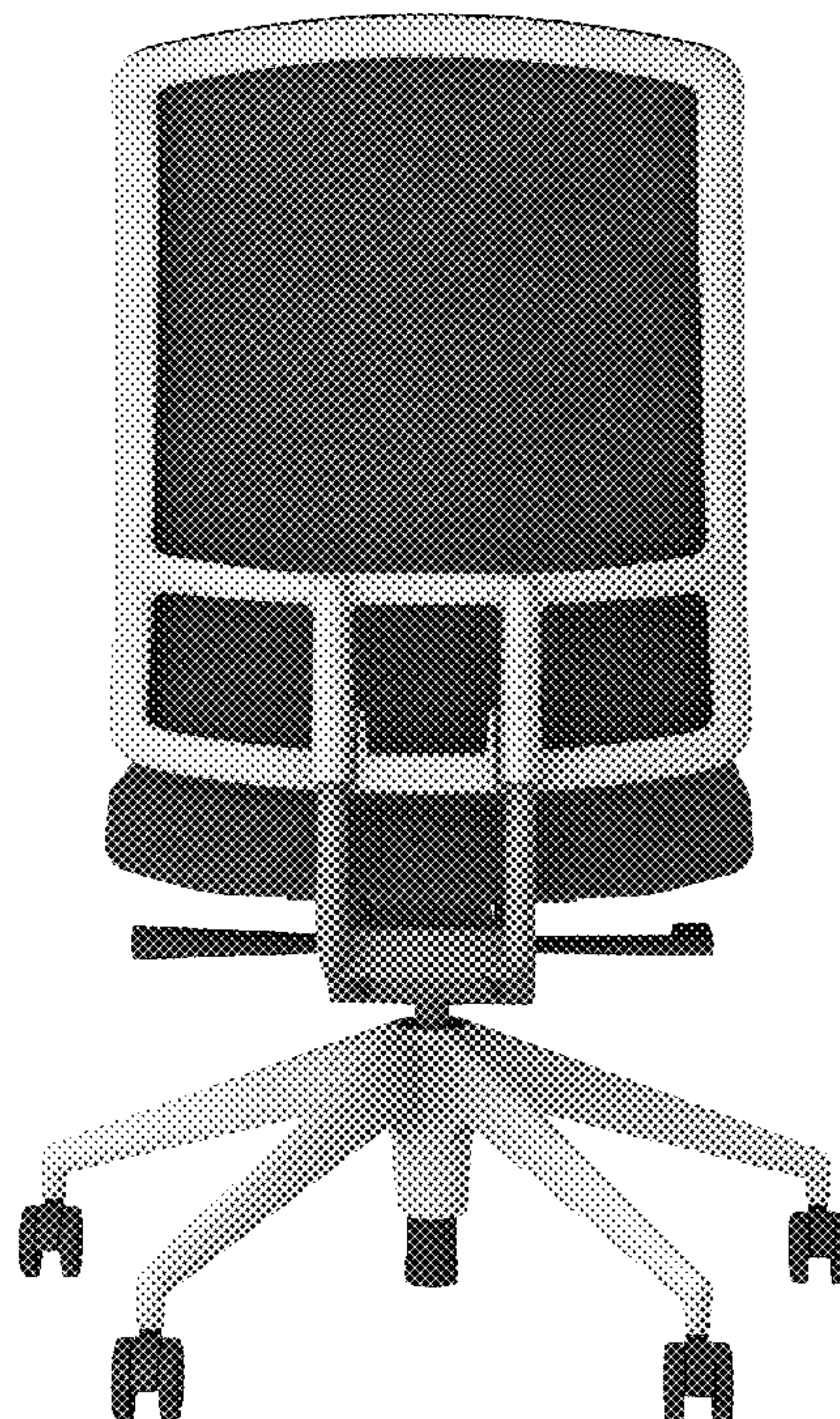




FIG. 1



FIG. 2



FIG. 3

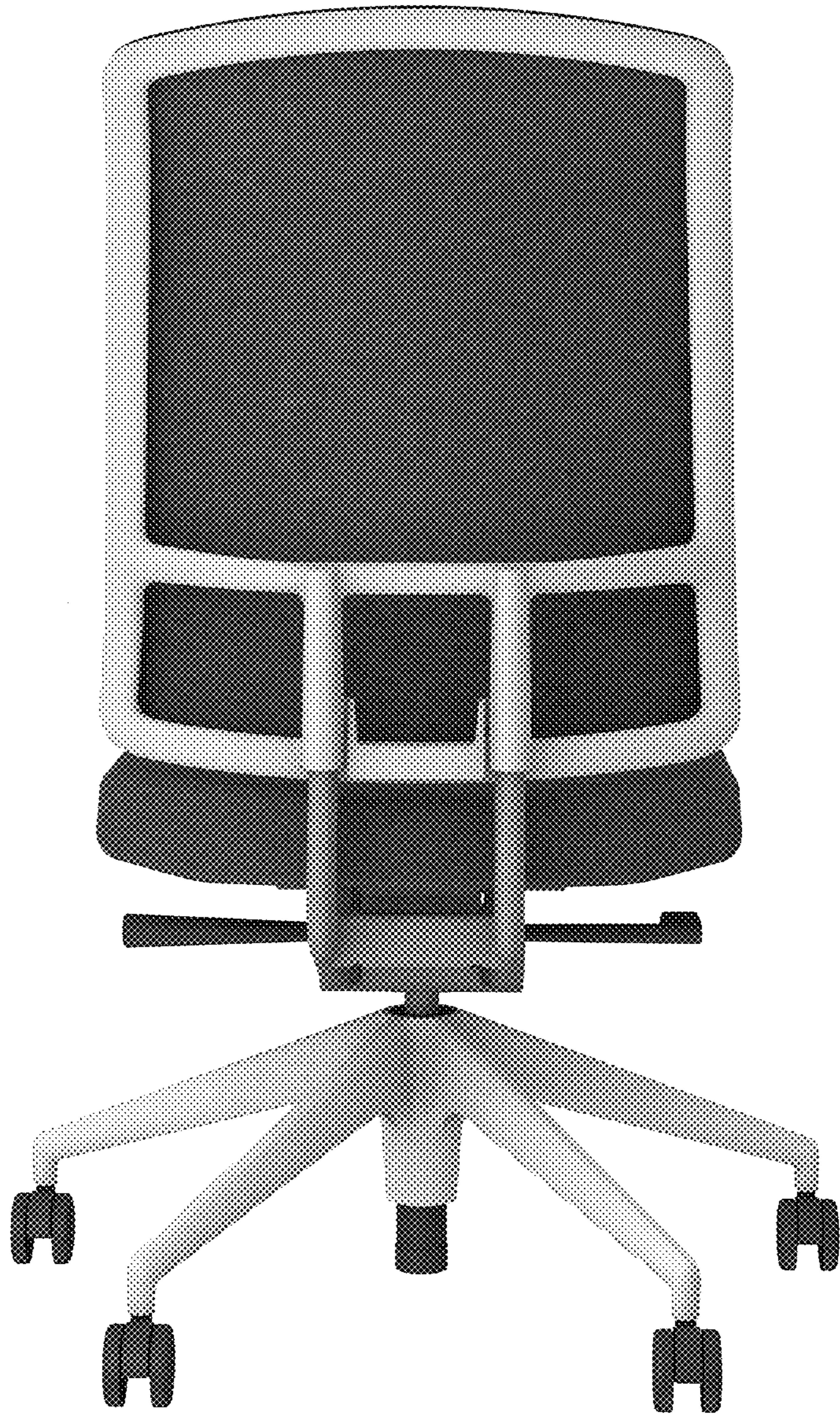


FIG. 4



FIG. 5



FIG. 6

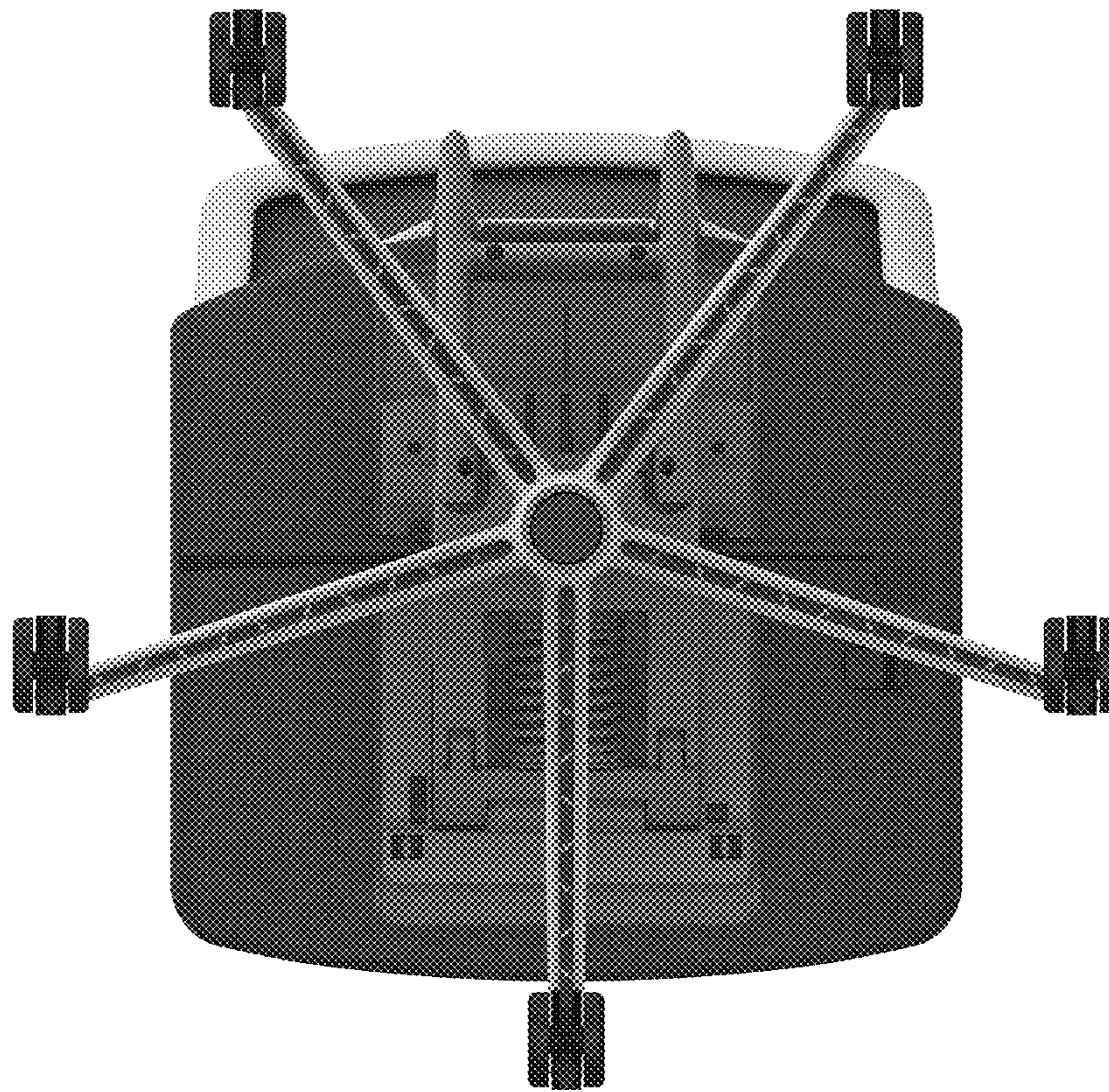


FIG. 7