



US00D831985S

(12) **United States Design Patent**  
**Padilla**

(10) **Patent No.:** **US D831,985 S**  
(45) **Date of Patent:** **\*\* Oct. 30, 2018**

(54) **EXPANDABLE FRAME WITH HANDLES**

**DESCRIPTION**

- (71) Applicant: **John Paul Padilla**, Turlock, CA (US)
- (72) Inventor: **John Paul Padilla**, Turlock, CA (US)
- (\*\*) Term: **15 Years**
- (21) Appl. No.: **29/581,108**
- (22) Filed: **Oct. 17, 2016**
- (51) **LOC (11) Cl.** ..... **06-07**
- (52) **U.S. Cl.**  
USPC ..... **D6/300**
- (58) **Field of Classification Search**  
USPC ..... D6/300-314  
CPC ..... A47G 1/06; A47G 1/0605; A47G 1/0627;  
A47G 1/0638; A47G 1/14; A47G 1/141;  
A47G 1/142; A47G 1/10; A47G 1/0633  
See application file for complete search history.

(56) **References Cited**

**U.S. PATENT DOCUMENTS**

306,462	A *	10/1884	Baxter	.....	A47G 1/06 40/798
326,744	A	9/1885	Johnson		
522,101	A	6/1894	Bohr		
908,170	A *	12/1908	Van Der Boom	.....	A47G 1/08 273/157 R
993,519	A	5/1911	Guth		
2,451,207	A	10/1948	Ferguson		
2,467,522	A	4/1949	Cooper		
5,343,642	A *	9/1994	Magnusson	.....	A47G 1/06 40/762
6,604,306	B1	8/2003	Burroughs et al.		
D479,742	S *	9/2003	Hollingsworth	.....	D23/366

(Continued)

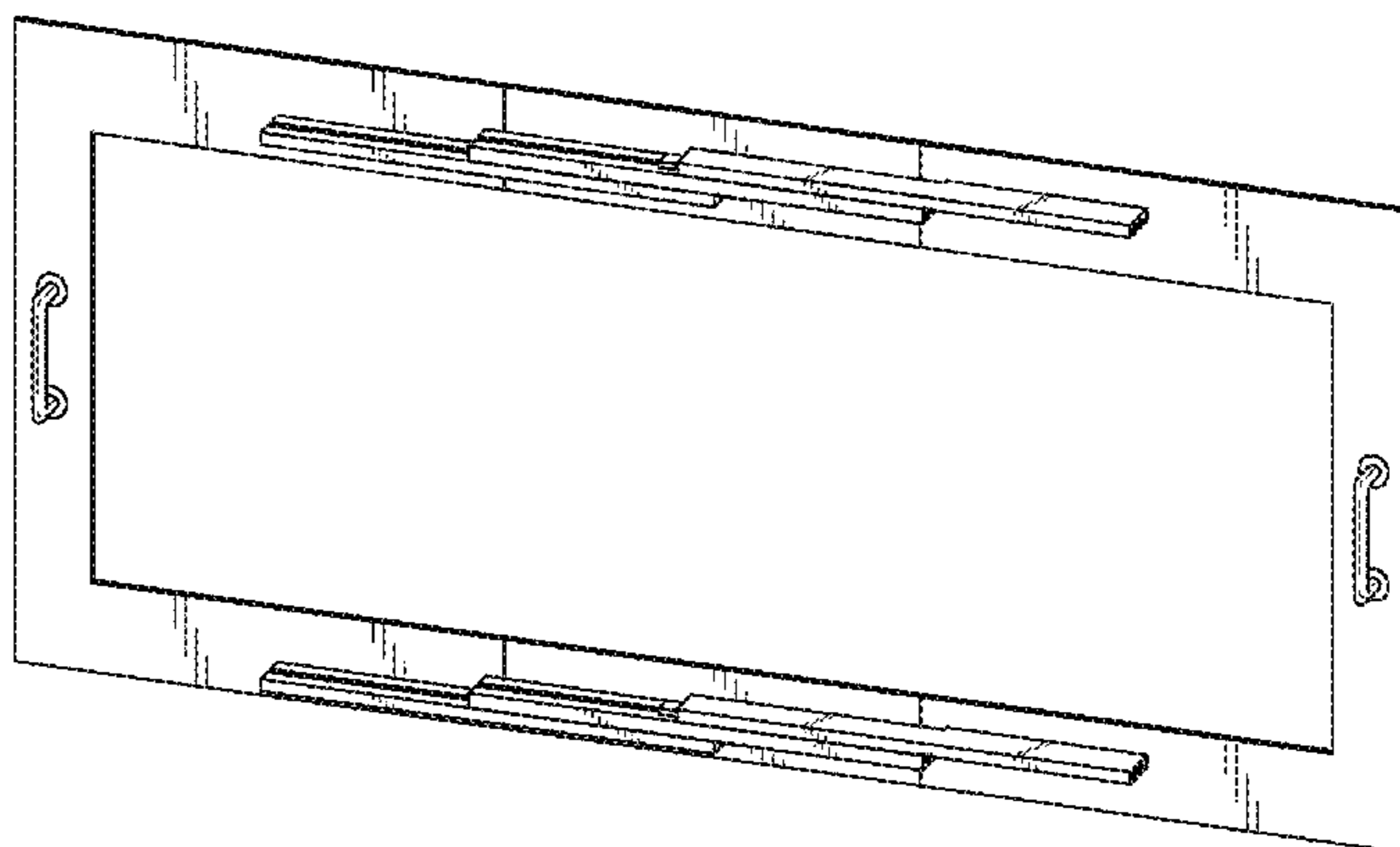
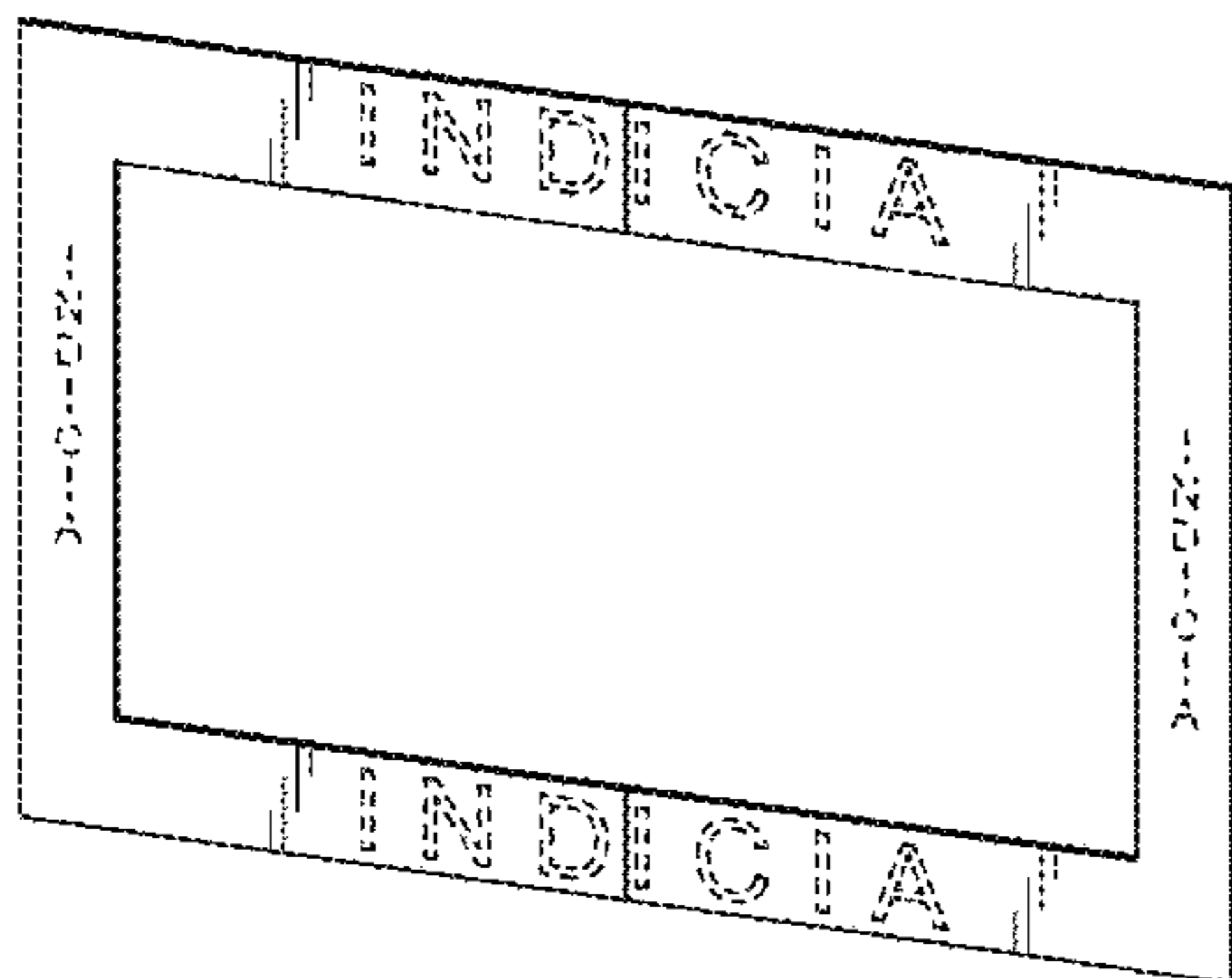
*Primary Examiner* — Deanna L Pratt

(57) **CLAIM**

The ornamental design for an expandable frame with handles, as shown and described.

FIG. 1 is a front perspective view of an expandable frame with handles in a closed configuration without expanding leaves, showing my new design;  
 FIG. 2 is a back perspective view thereof;  
 FIG. 3 is a front side elevation view thereof;  
 FIG. 4 is a back side elevation view thereof;  
 FIG. 5 is a right side elevation view thereof;  
 FIG. 6 is a left side elevation view thereof;  
 FIG. 7 is an enlarged top side plan view thereof;  
 FIG. 8 is an enlarged bottom side plan view thereof;  
 FIG. 9 is a front perspective view of an expandable frame with handles in an open configuration with expanding leaves;  
 FIG. 10 is a back perspective view thereof;  
 FIG. 11 is a front side elevation view thereof;  
 FIG. 12 is a back side elevation view thereof;  
 FIG. 13 is an enlarged right side elevation view thereof;  
 FIG. 14 is an enlarged a left side elevation view thereof;  
 FIG. 15 is top side plan view thereof;  
 FIG. 16 is bottom side plan view thereof;  
 FIG. 17 is a front perspective view of an expandable frame with handles in a closed configuration with leaves inserted, showing my new design;  
 FIG. 18 is a back perspective view thereof;  
 FIG. 19 is a front side elevation view thereof;  
 FIG. 20 is a back side elevation view thereof;  
 FIG. 21 is an enlarged right side elevation view thereof;  
 FIG. 22 is an enlarged left side elevation view thereof;  
 FIG. 23 is top side plan view thereof;  
 FIG. 24 is bottom side plan view thereof;  
 FIG. 25 is an enlarged detail view of FIG. 10;  
 FIG. 26 is an enlarged detail view of FIG. 15;  
 FIG. 27 is an enlarged detail view of FIG. 16;  
 FIG. 28 is an enlarged detail view of FIG. 23; and,  
 FIG. 29 is an enlarged detail view of FIG. 24.  
 The broken lines are used to indicate areas of indicia and are not part of the claimed design.

**1 Claim, 25 Drawing Sheets**



(56)

**References Cited**

U.S. PATENT DOCUMENTS

6,757,997	B1	7/2004	Burroughs et al.	
D506,074	S *	6/2005	Chen .....	D6/300
D517,329	S *	3/2006	Ortiz .....	D6/300
D523,249	S *	6/2006	Hoernig .....	D6/300
D524,061	S *	7/2006	Bruce .....	D6/300
D638,631	S *	5/2011	Parisi .....	D6/300
D642,383	S *	8/2011	Parisi .....	A45D 42/08 D6/300
8,100,063	B2 *	1/2012	Meyers .....	A47B 97/001 108/73
D654,274	S *	2/2012	Krawczyk .....	D6/300

\* cited by examiner

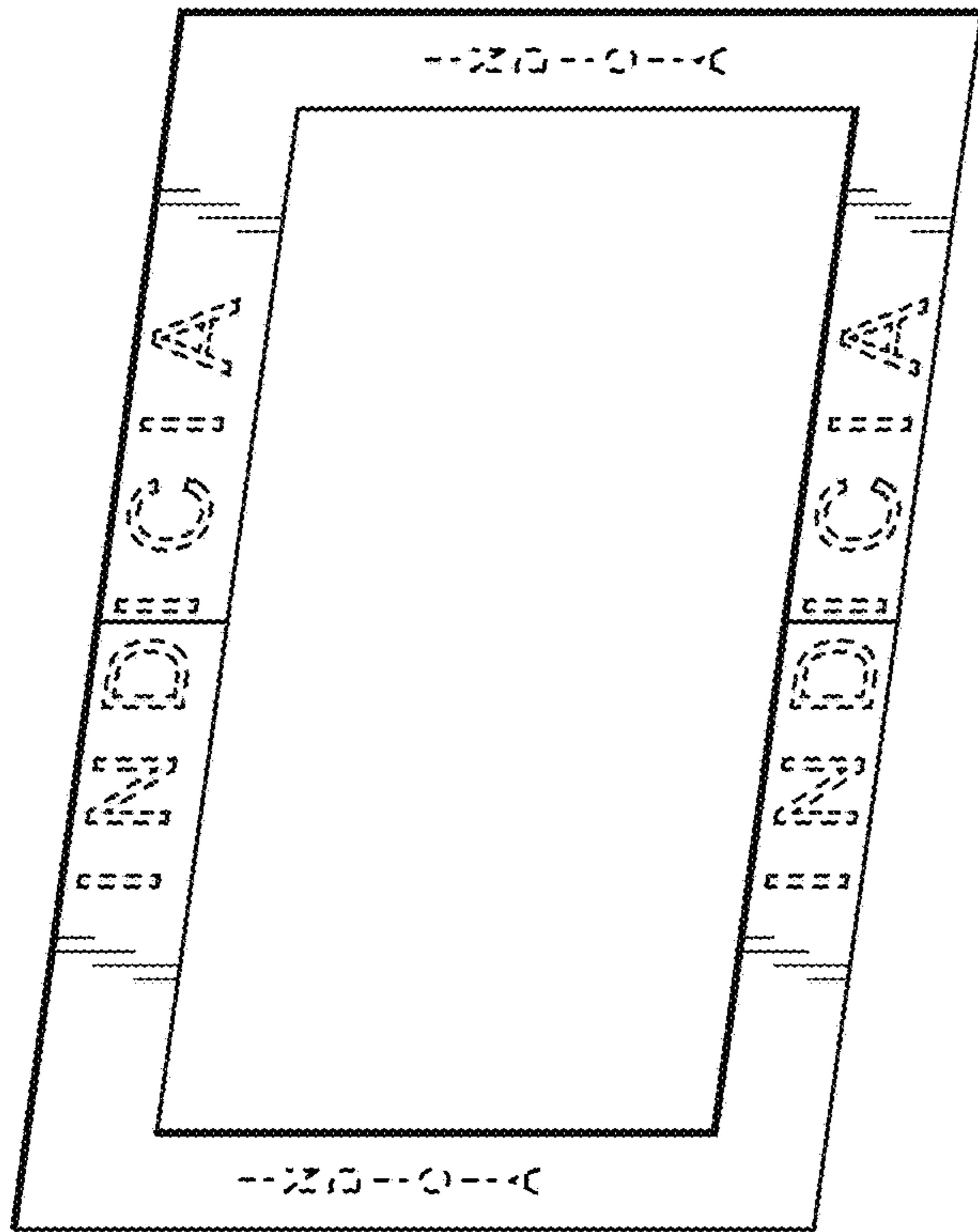


FIG. 1

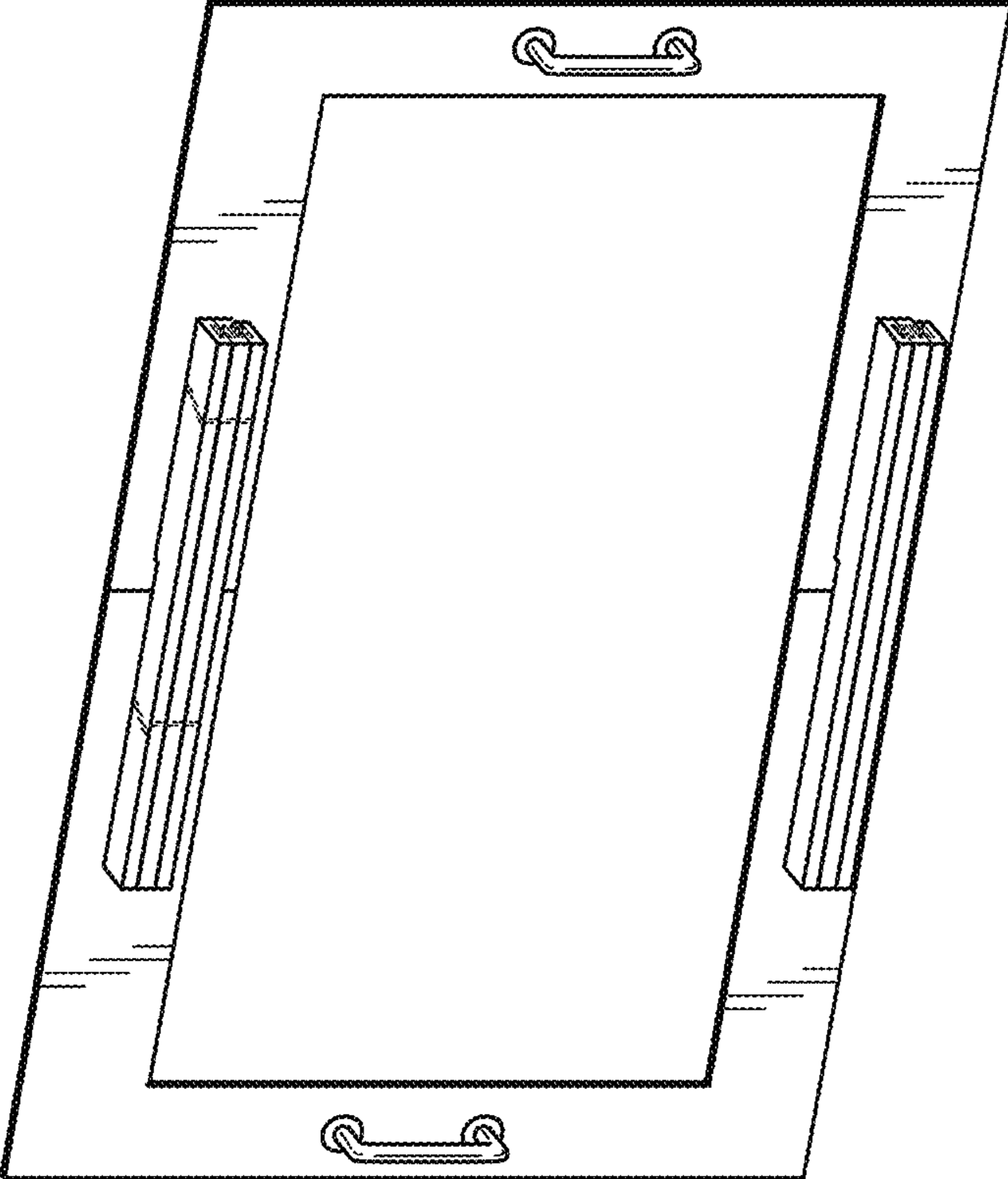


FIG. 2

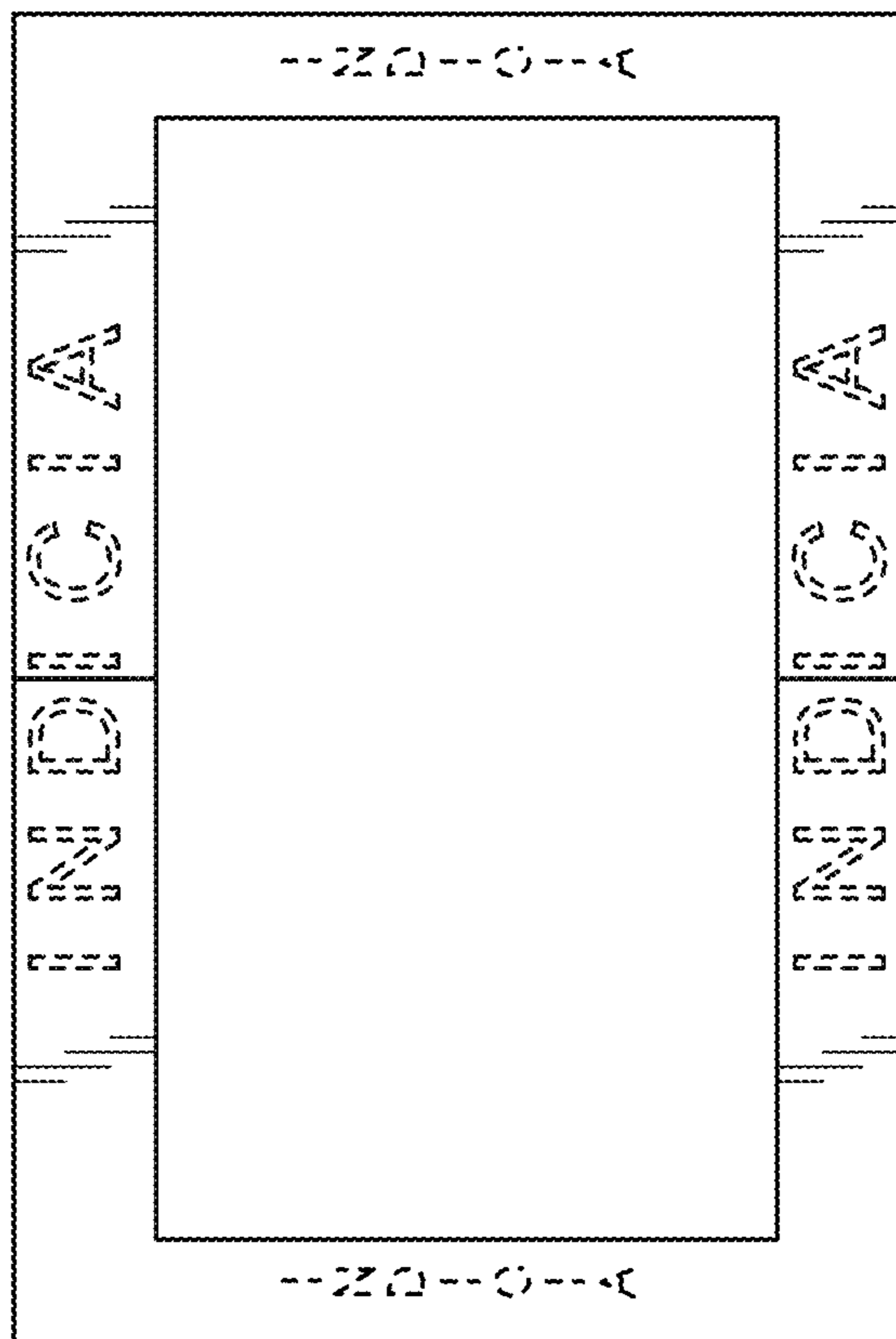


FIG. 3

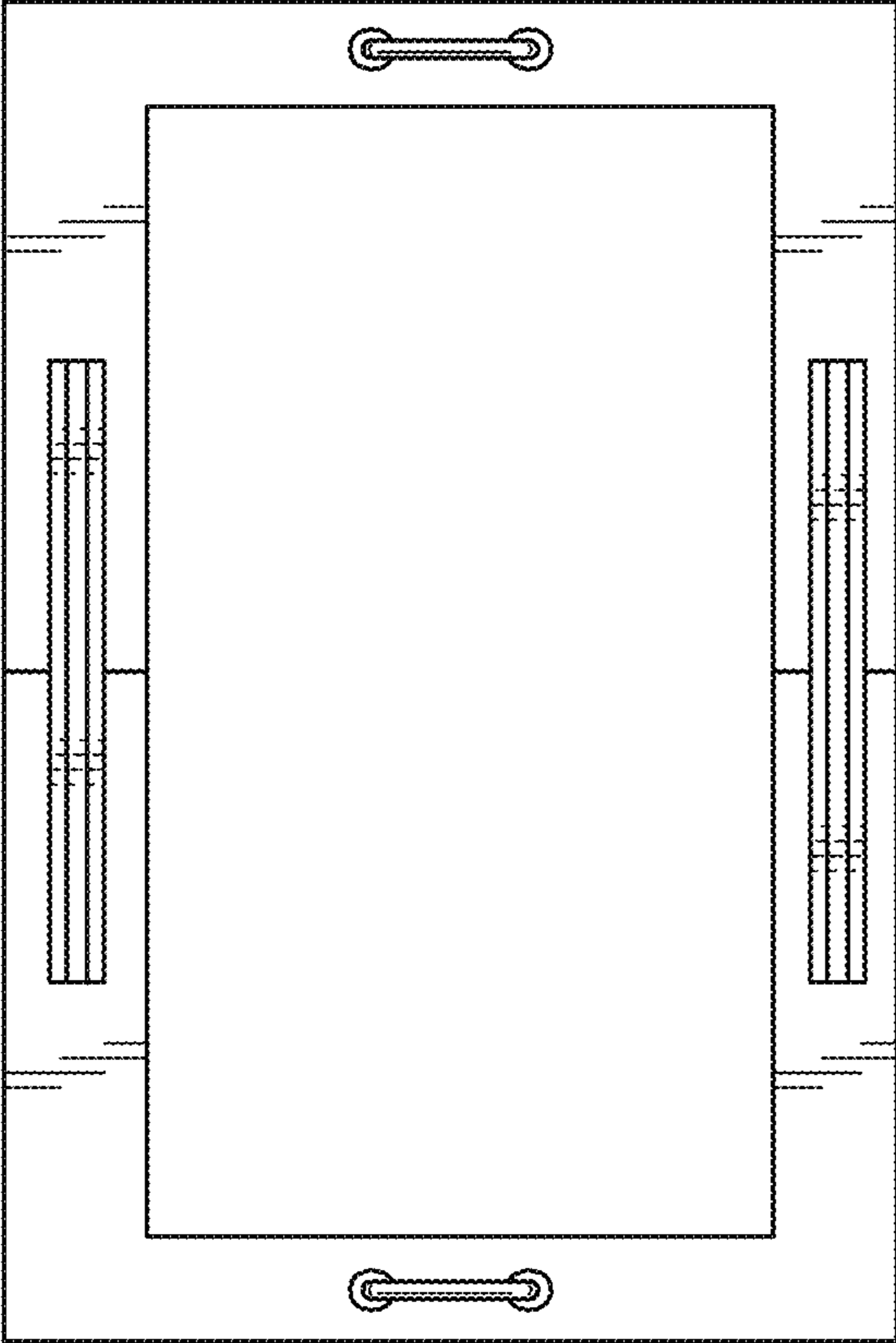


FIG. 4



FIG. 5



FIG. 6



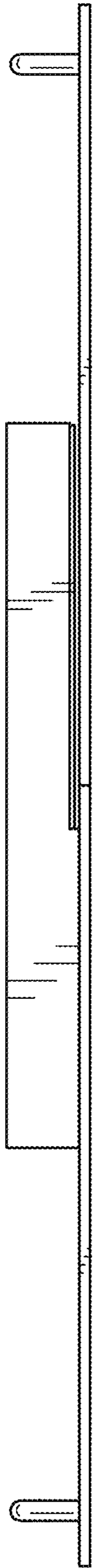


FIG. 7

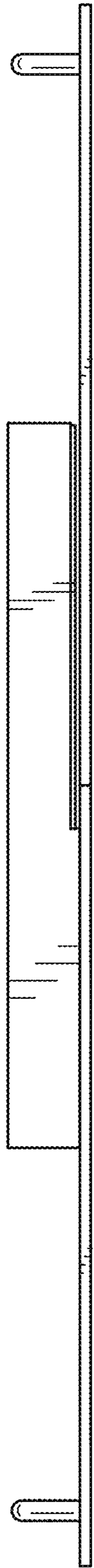


FIG. 8

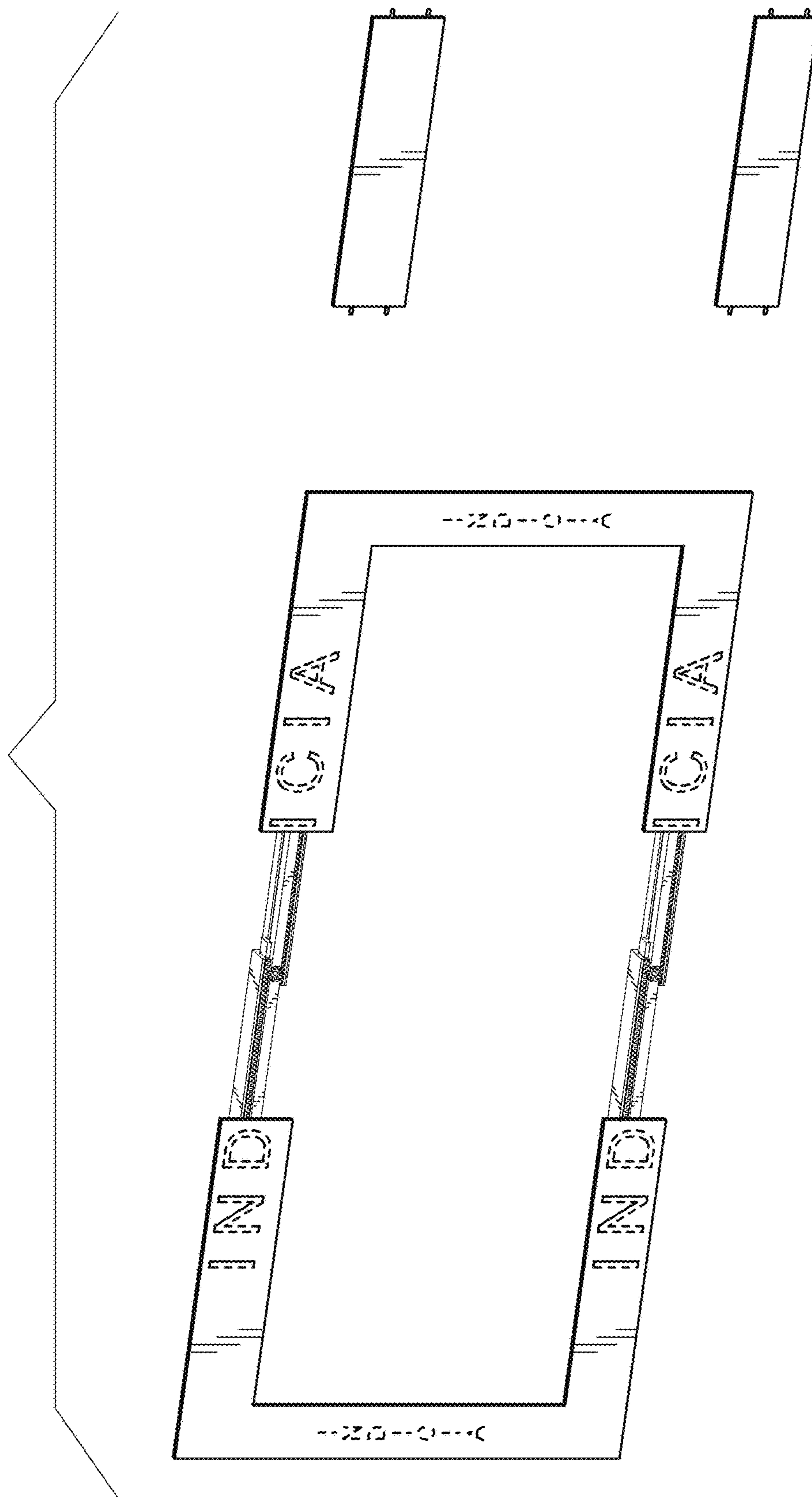


FIG. 9

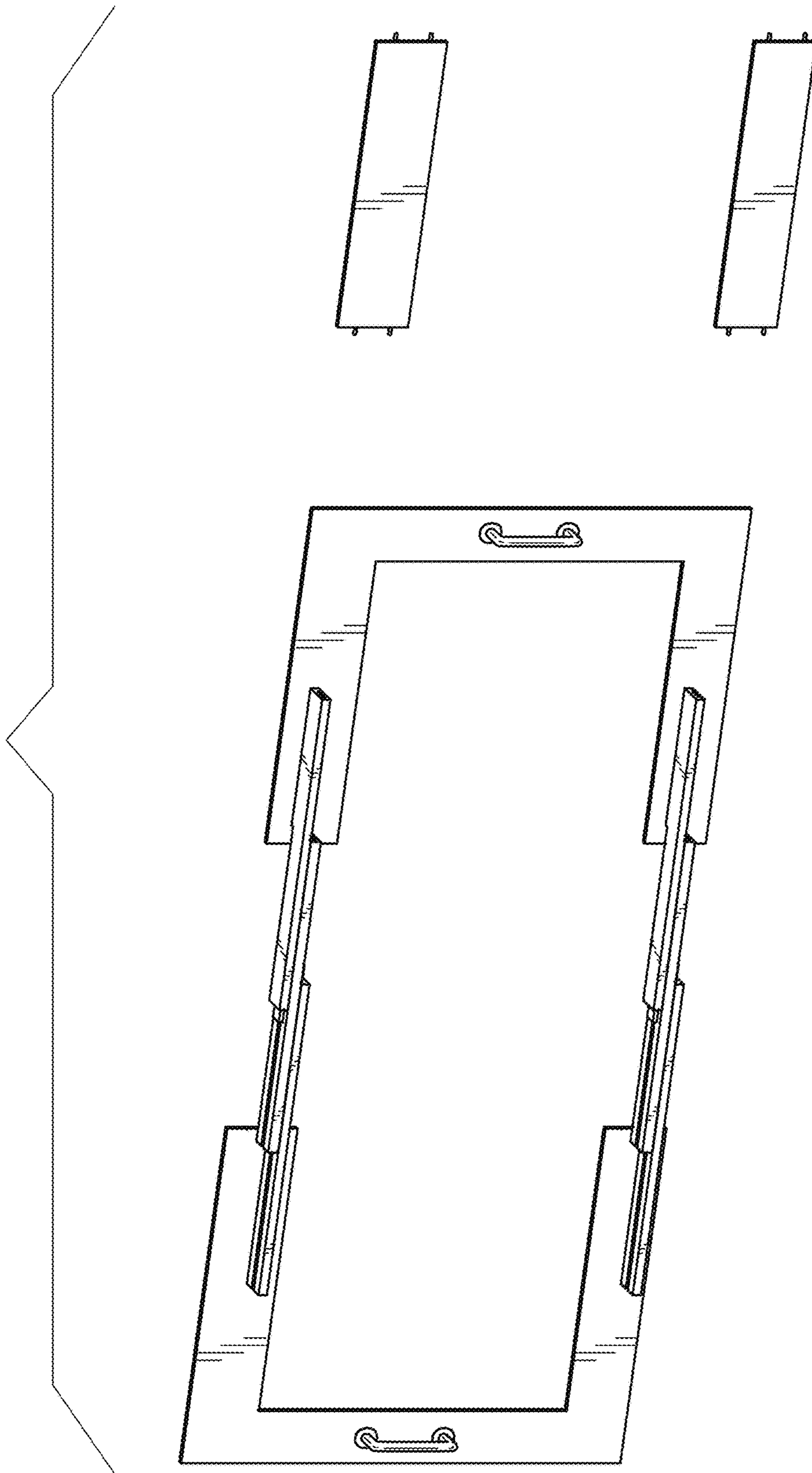


FIG. 10

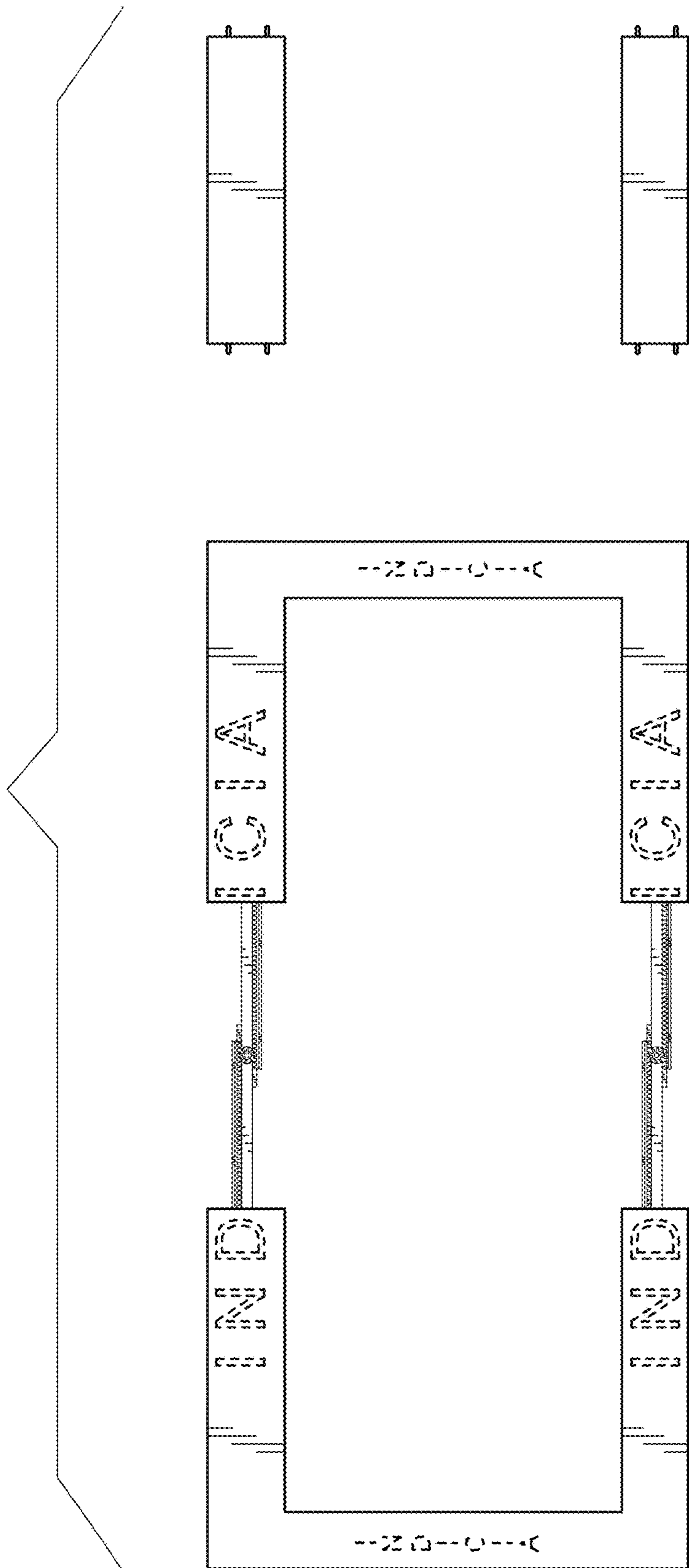


FIG. 11

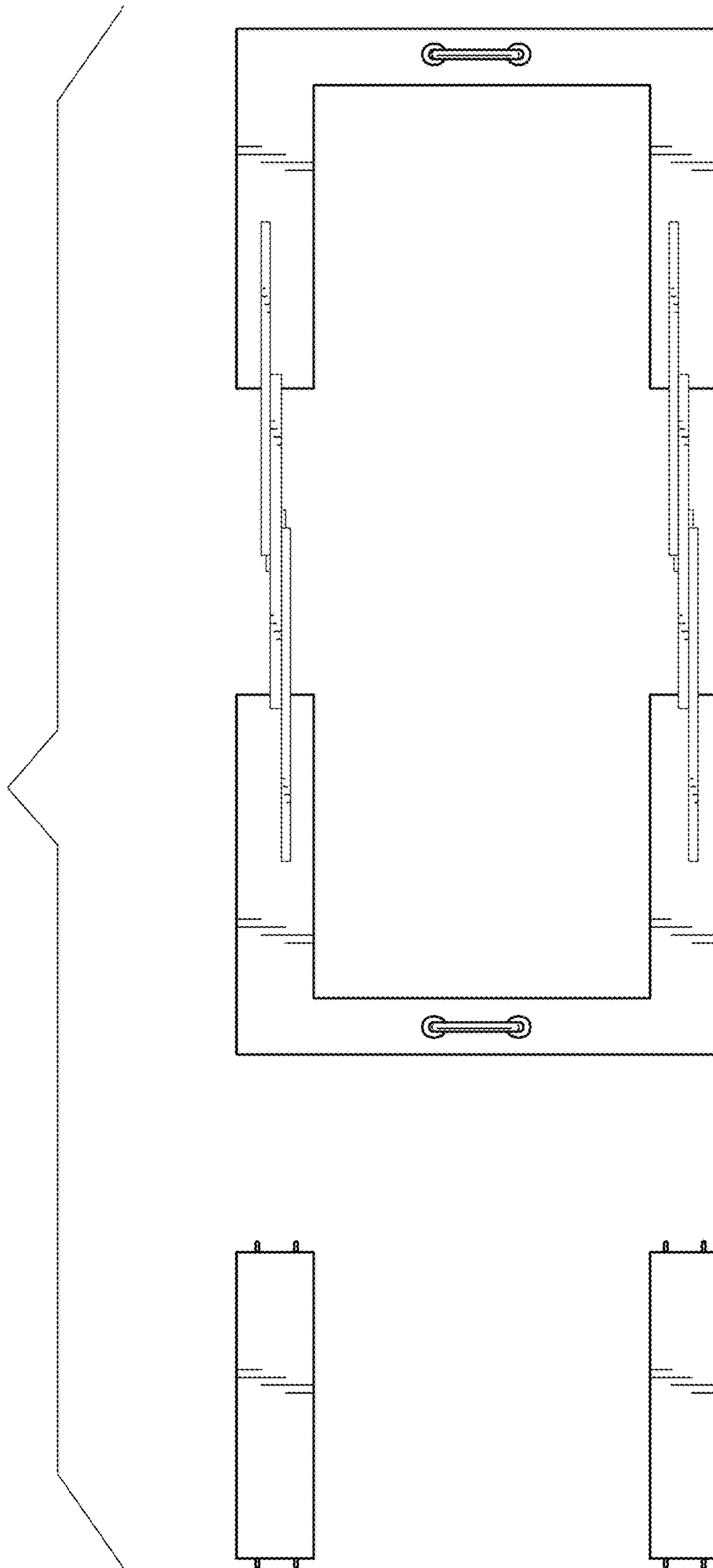


FIG. 12

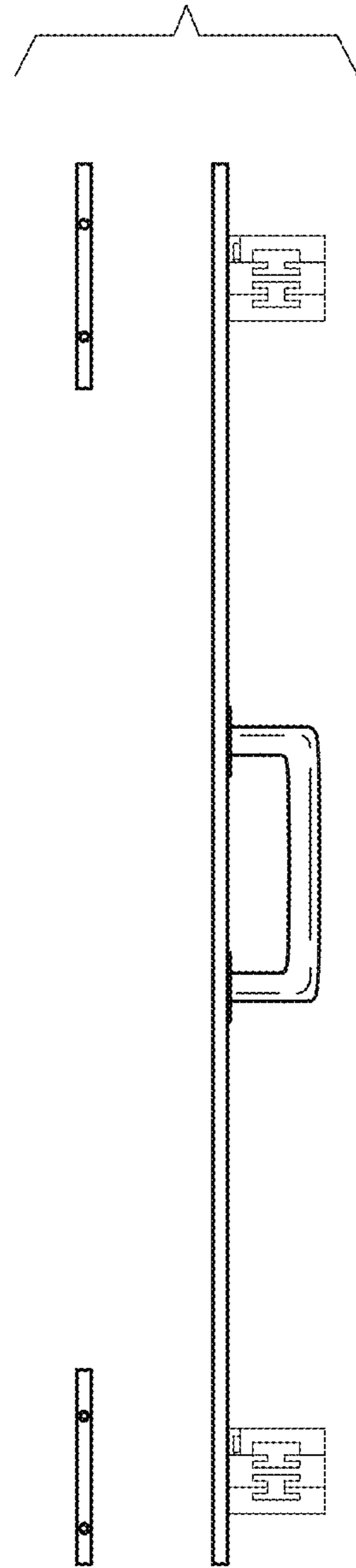


FIG. 13

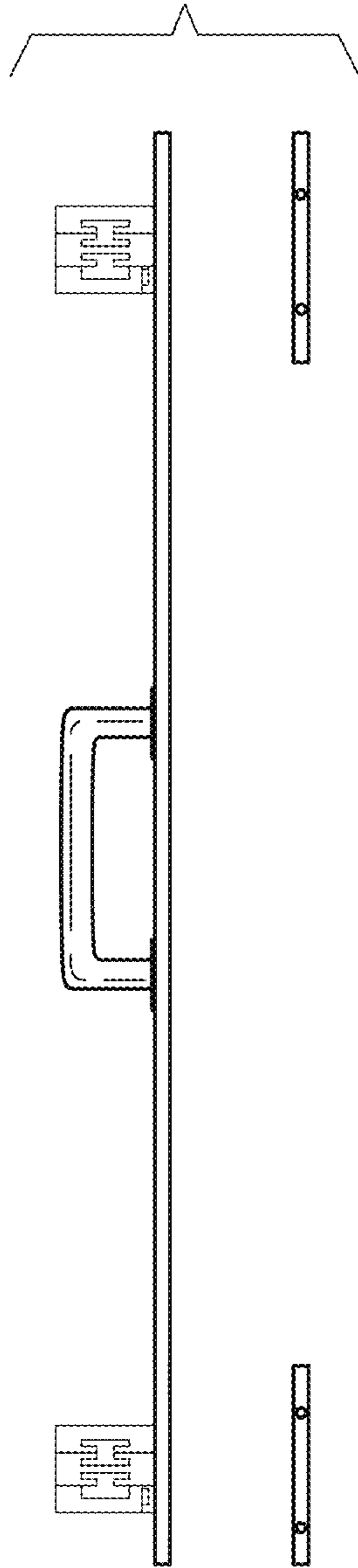


FIG. 14



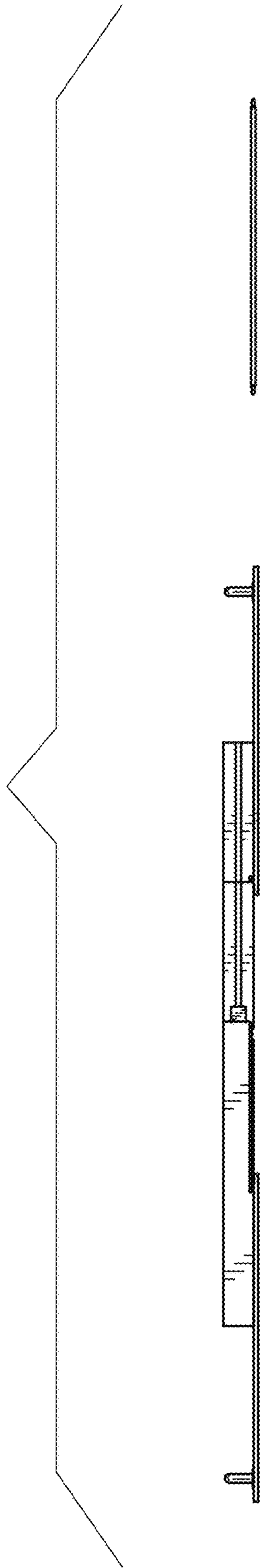


FIG. 15

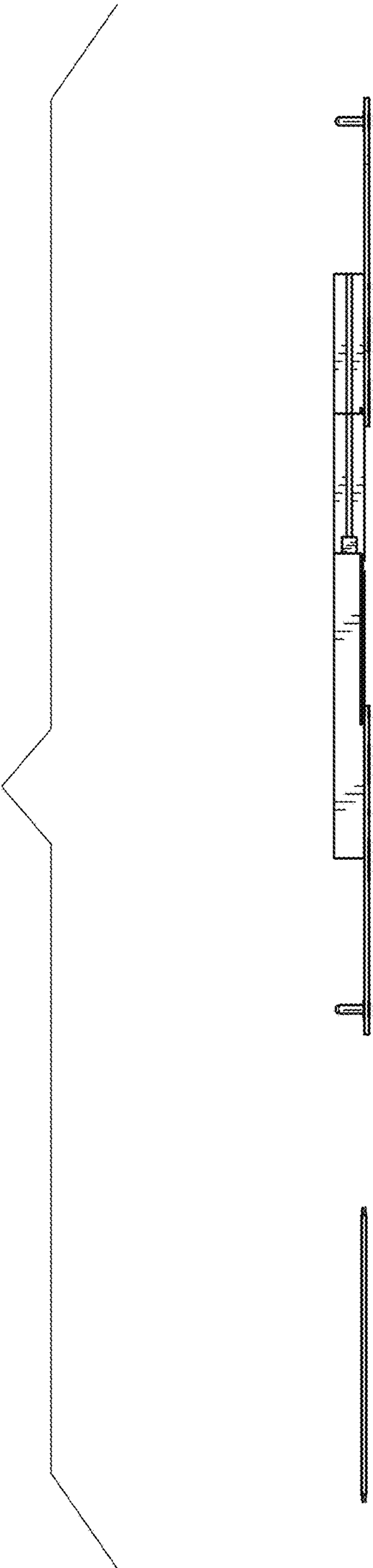


FIG. 16

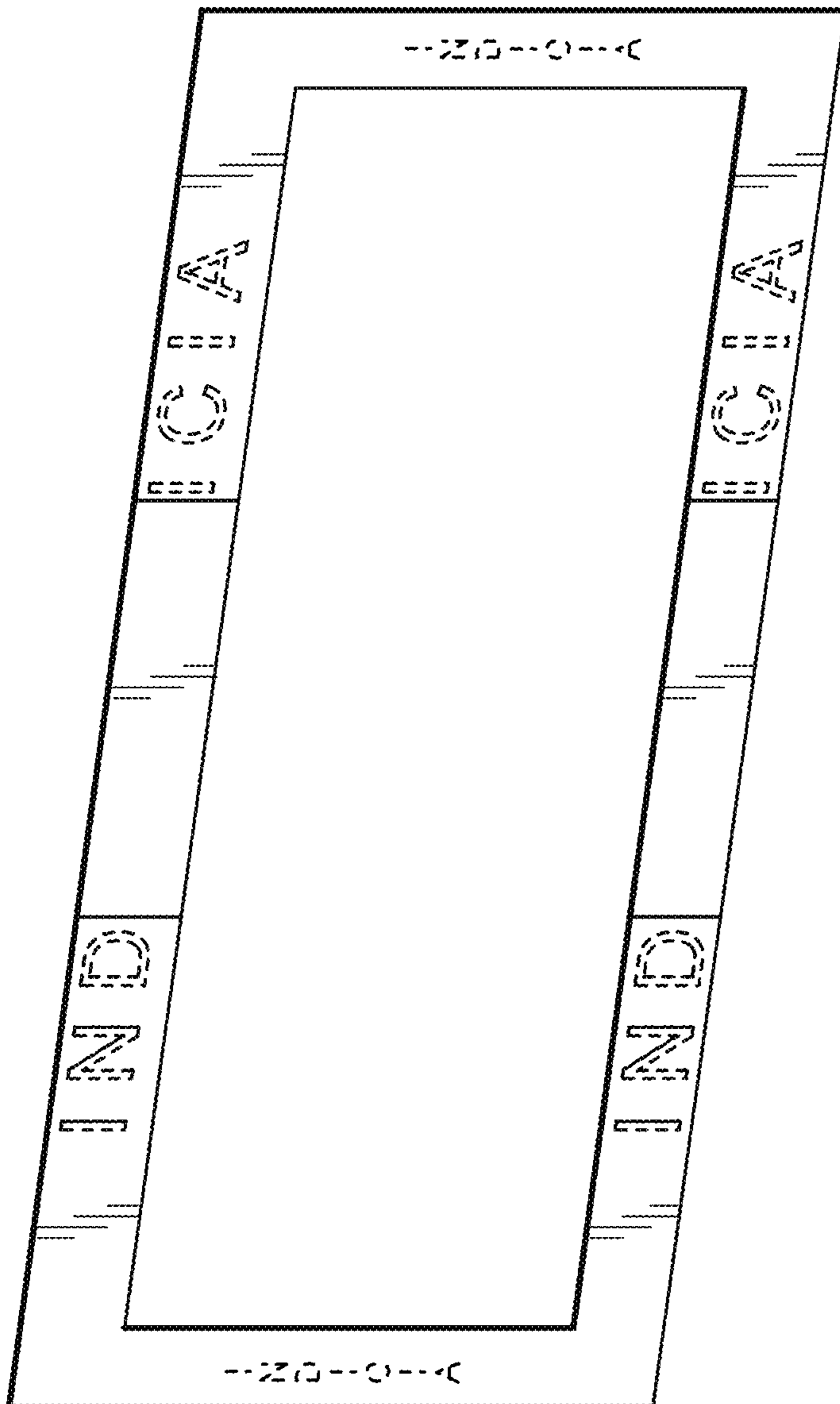


FIG. 17

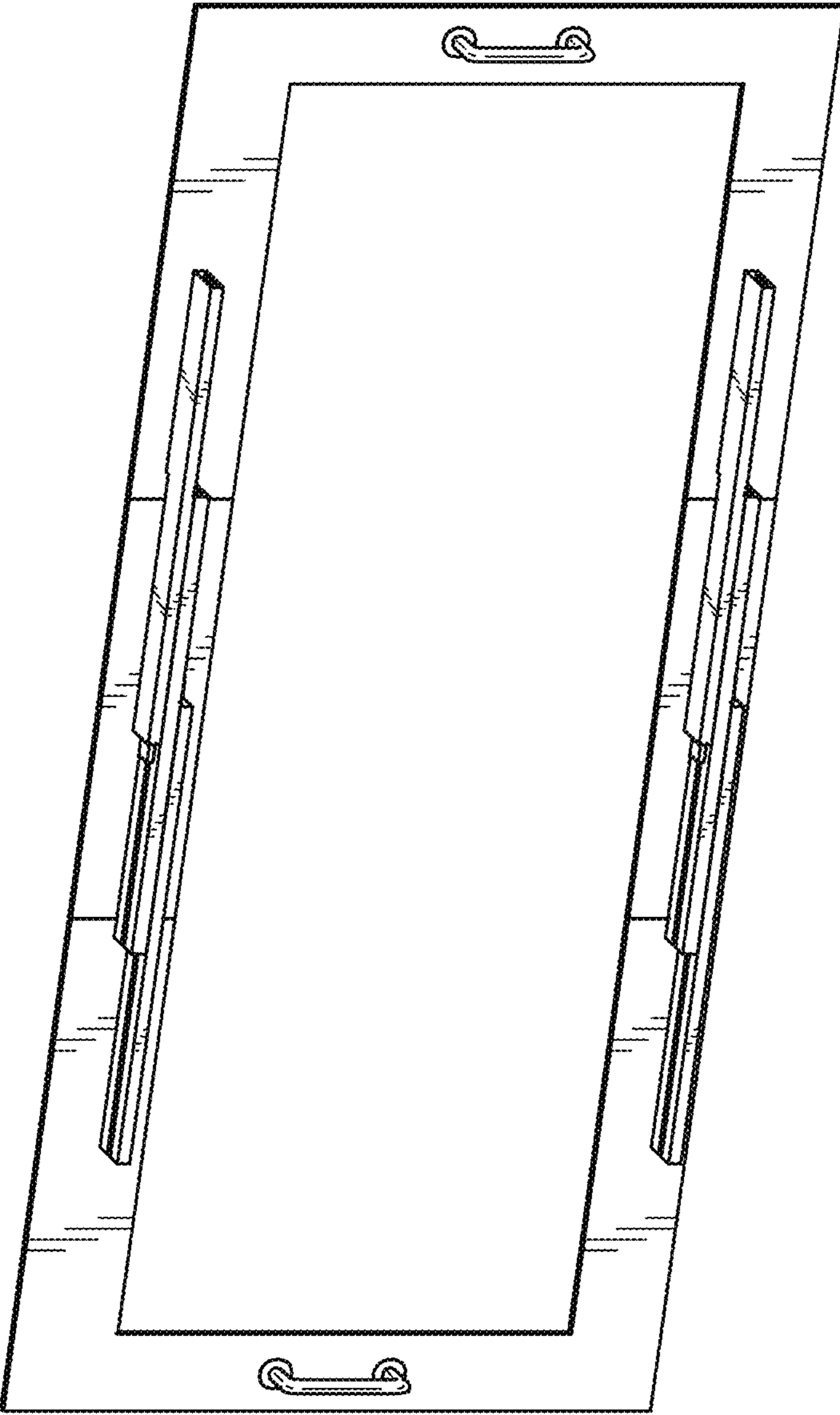


FIG. 18

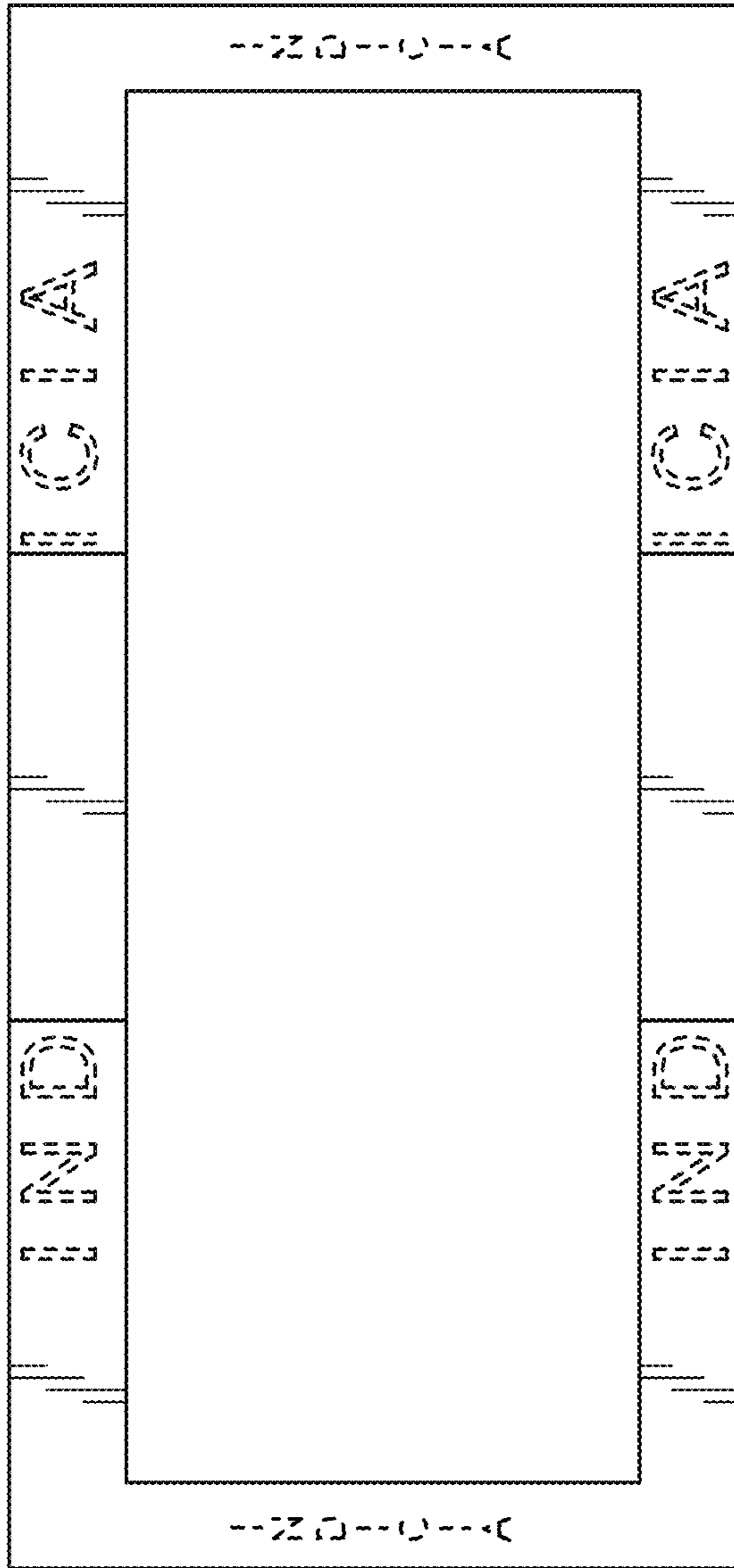


FIG. 19

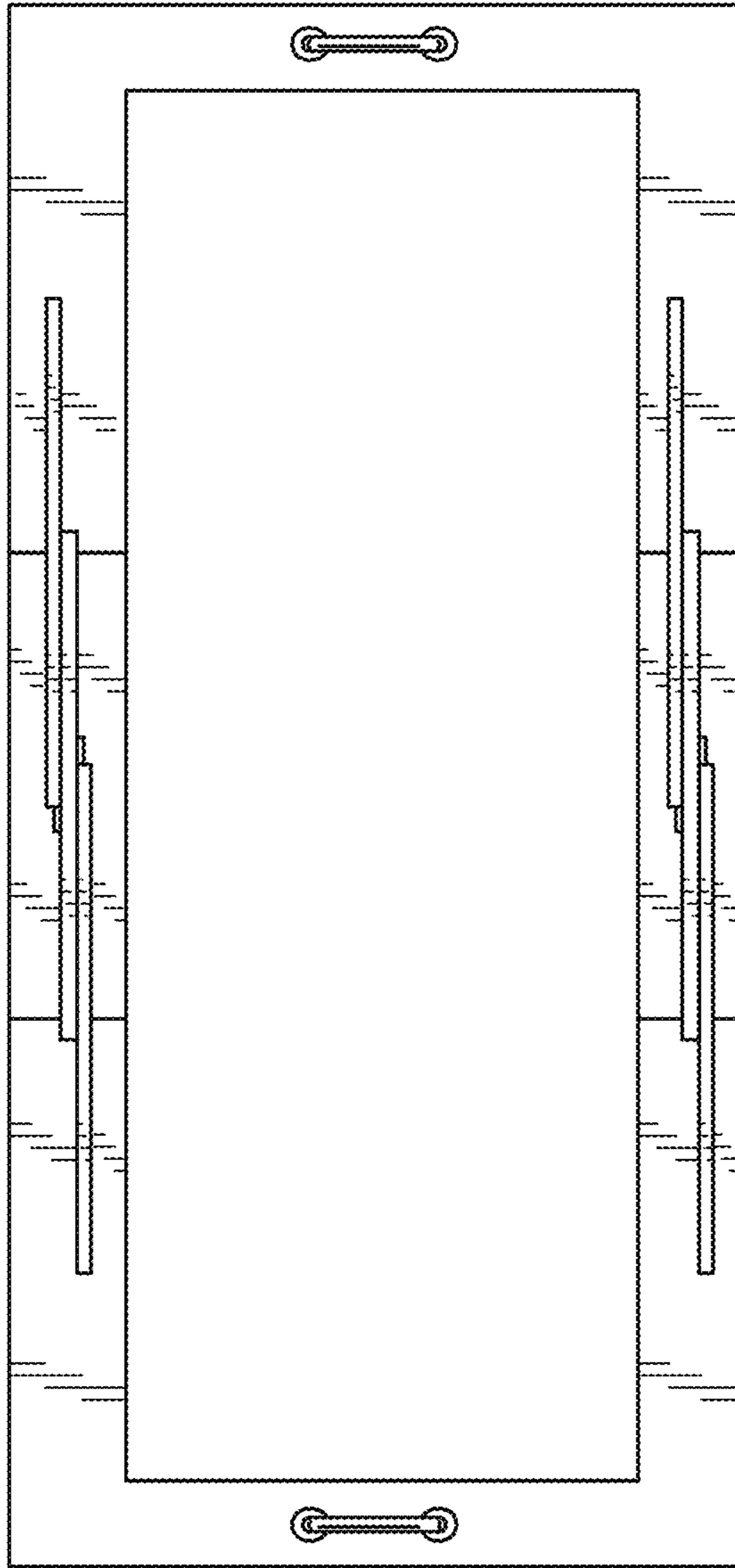


FIG. 20

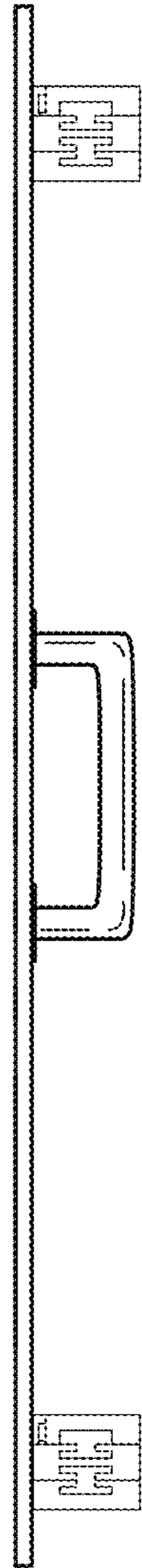


FIG. 21



FIG. 22



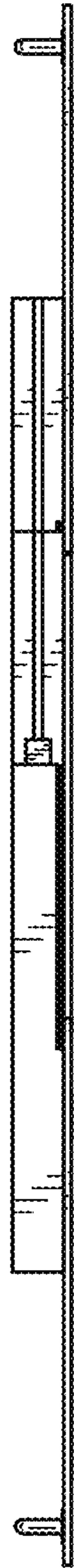


FIG. 23



FIG. 24

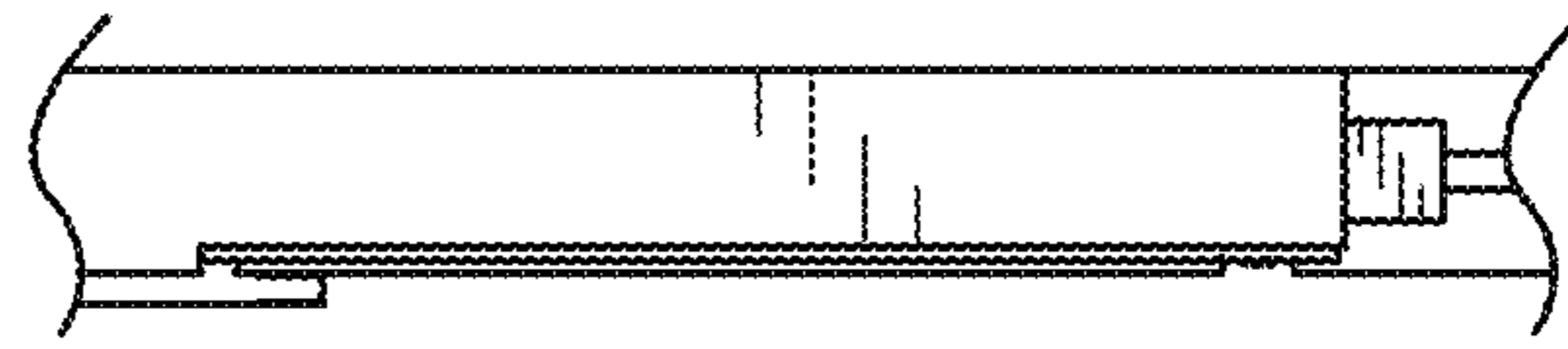


FIG. 26

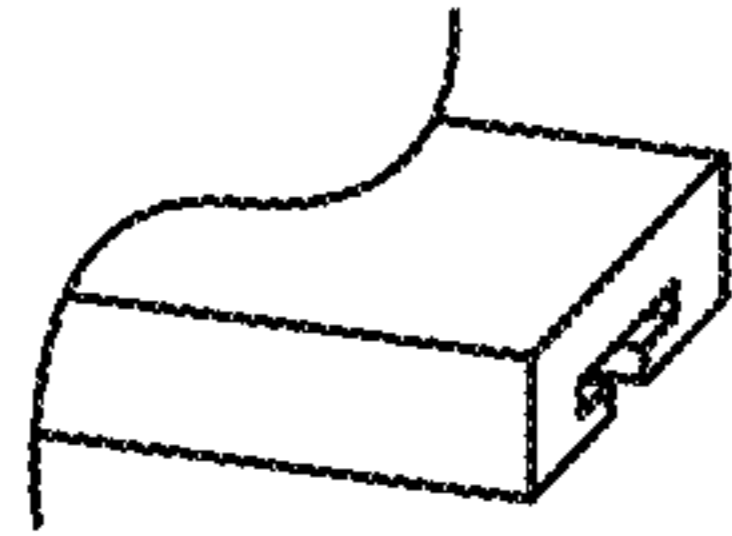


FIG. 25

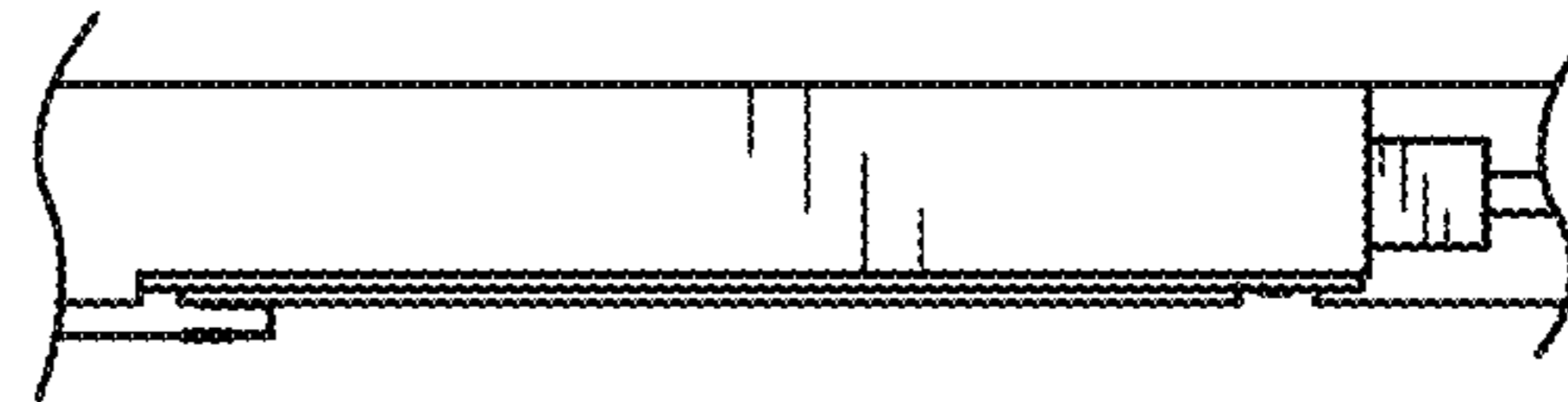


FIG. 27

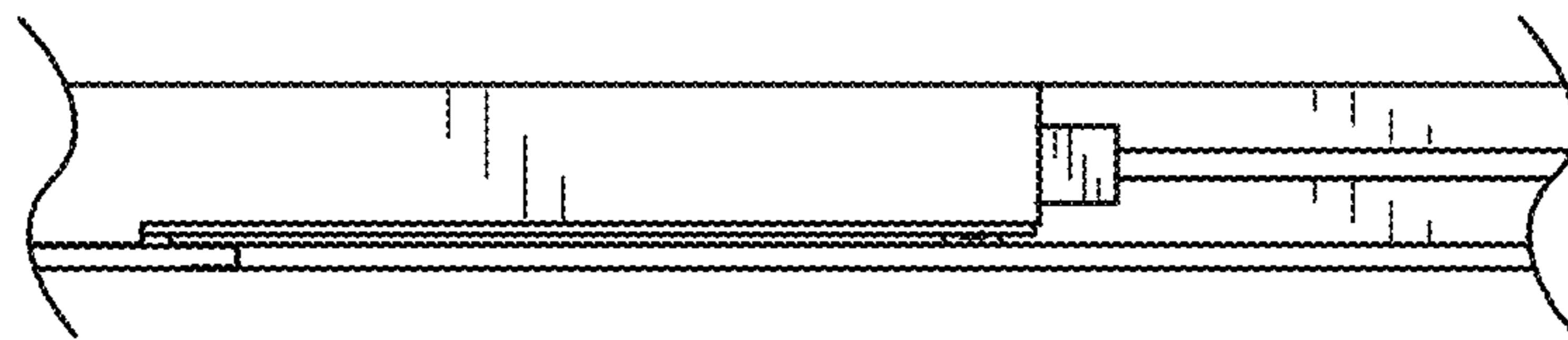


FIG. 28

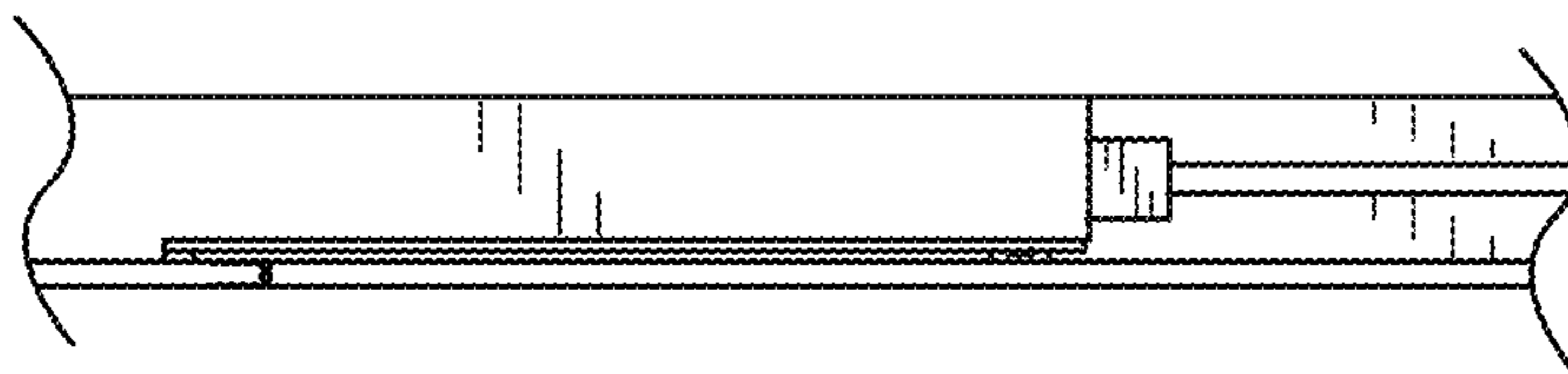


FIG. 29