



US00D831984S

(12) **United States Design Patent**
Sonnenschein et al.

(10) **Patent No.:** **US D831,984 S**
(45) **Date of Patent:** **** Oct. 30, 2018**

- (54) **FOOTBALL FIELD LABEL**
- (71) Applicant: **AVERY DENNISON RETAIL INFORMATION SERVICES, LLC**,
Mentor, OH (US)
- (72) Inventors: **Robin E. Sonnenschein**, London (GB);
Lynsey Scott, Chiswick (GB)
- (73) Assignee: **AVERY DENNISON RETAIL INFORMATION SERVICES, LLC**,
Mentor, OH (US)

4,793,617 A * 12/1988 Sanon A63F 3/00044
273/298
D467,273 S * 12/2002 Brooks D19/155
7,543,402 B2 * 6/2009 Halliday G09F 3/02
40/638
D605,718 S * 12/2009 Jenkins D21/698
D727,429 S * 4/2015 Boyer D20/27
D767,027 S * 9/2016 Foxcroft D19/113
D768,774 S * 10/2016 Foxcroft D19/113
D768,776 S * 10/2016 Foxcroft D19/113
2011/0177893 A1 * 7/2011 Abramson F41C 23/20
473/496
2017/0076640 A1 * 3/2017 Sonnenschein G09F 3/02

(**) Term: **15 Years**

* cited by examiner

(21) Appl. No.: **29/539,166**

Primary Examiner — Mary Ann Calabrese

(22) Filed: **Sep. 11, 2015**

(74) *Attorney, Agent, or Firm* — Avery Dennison Retail Information Services, LLC

(51) **LOC (11) Cl.** **05-05**

(52) **U.S. Cl.**

USPC **D5/64**; D20/23

(58) **Field of Classification Search**

USPC D20/11, 19, 22–29, 40, 99; D2/853;
D19/100, 113; D21/781, 788, 799.1;
D5/63, 64, 99

CPC G09F 1/00; G09F 1/02; G09F 3/00; G09F
3/02; G09F 3/0288; G09F 3/10; G09F
2003/0208; G09F 2003/0216; G09F
2003/023; G09F 2003/0257; G09F
2003/0264; G09F 2003/0266; G09F
2003/0267; G09F 2003/0272; G09F
2003/0273; G09F 2003/0279; A63F
3/00028; A63F 3/00041; A63F 3/00044;
A63F 3/00047

See application file for complete search history.

(56) **References Cited**

U.S. PATENT DOCUMENTS

1,835,084 A * 12/1931 Ripin G09F 3/02
40/674
4,052,064 A * 10/1977 Kennoy A63F 3/00028
273/317.3

(57) **CLAIM**

The ornamental design for a football field label, as shown and described.

DESCRIPTION

FIG. 1 is a Perspective view of the new football field label design.

FIG. 2 is a Front view of the new football field label design.

FIG. 3 is a Rear view of the new football field label design.

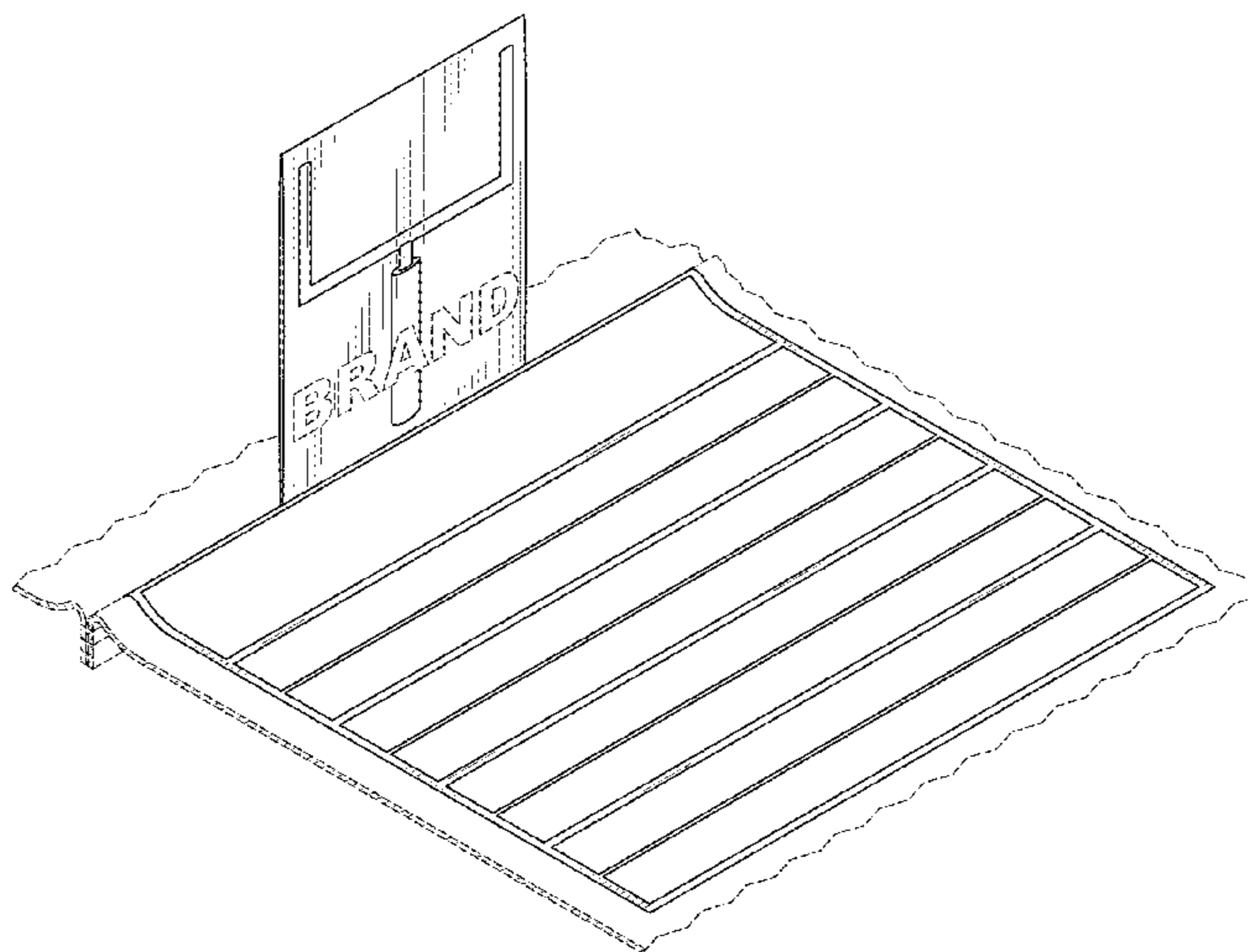
FIG. 4 is a Left side view of the new football field label design.

FIG. 5 is a Right side view of the new football field label design; and,

FIG. 6 is a Top view of the new football field label design.

In the drawings, the broken lines illustrate environment that forms no part of the claimed design.

1 Claim, 4 Drawing Sheets



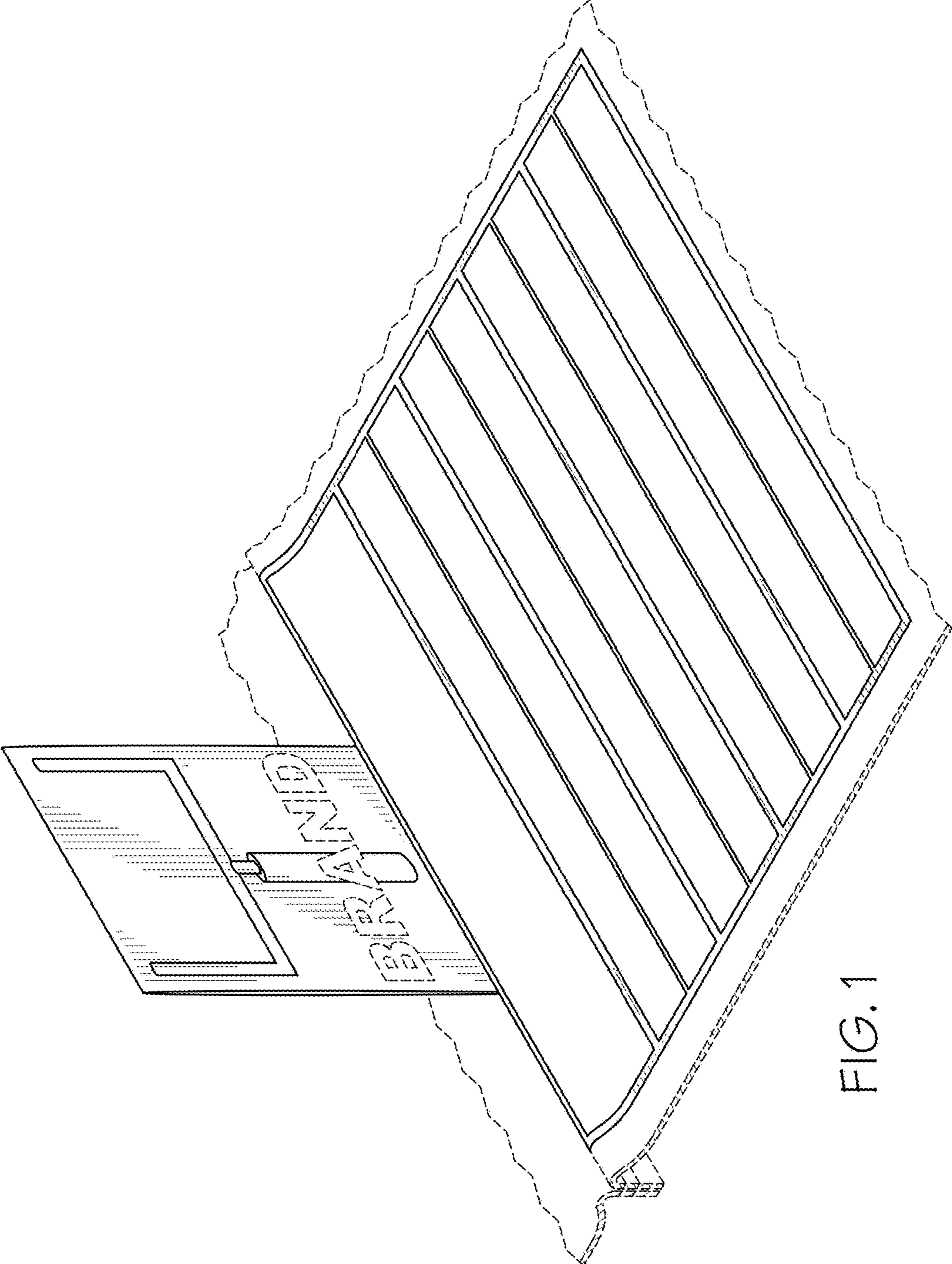


FIG. 1

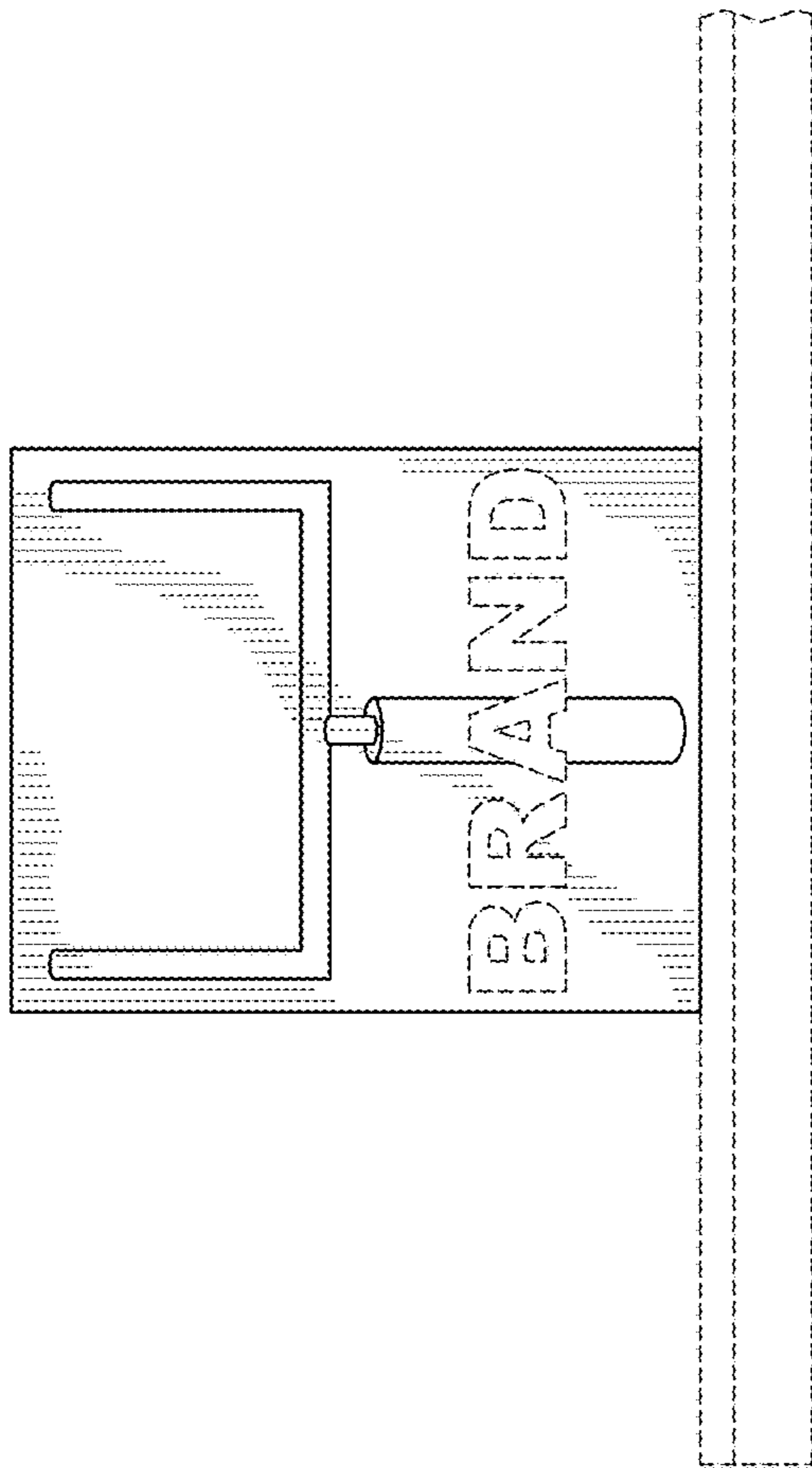


FIG. 2

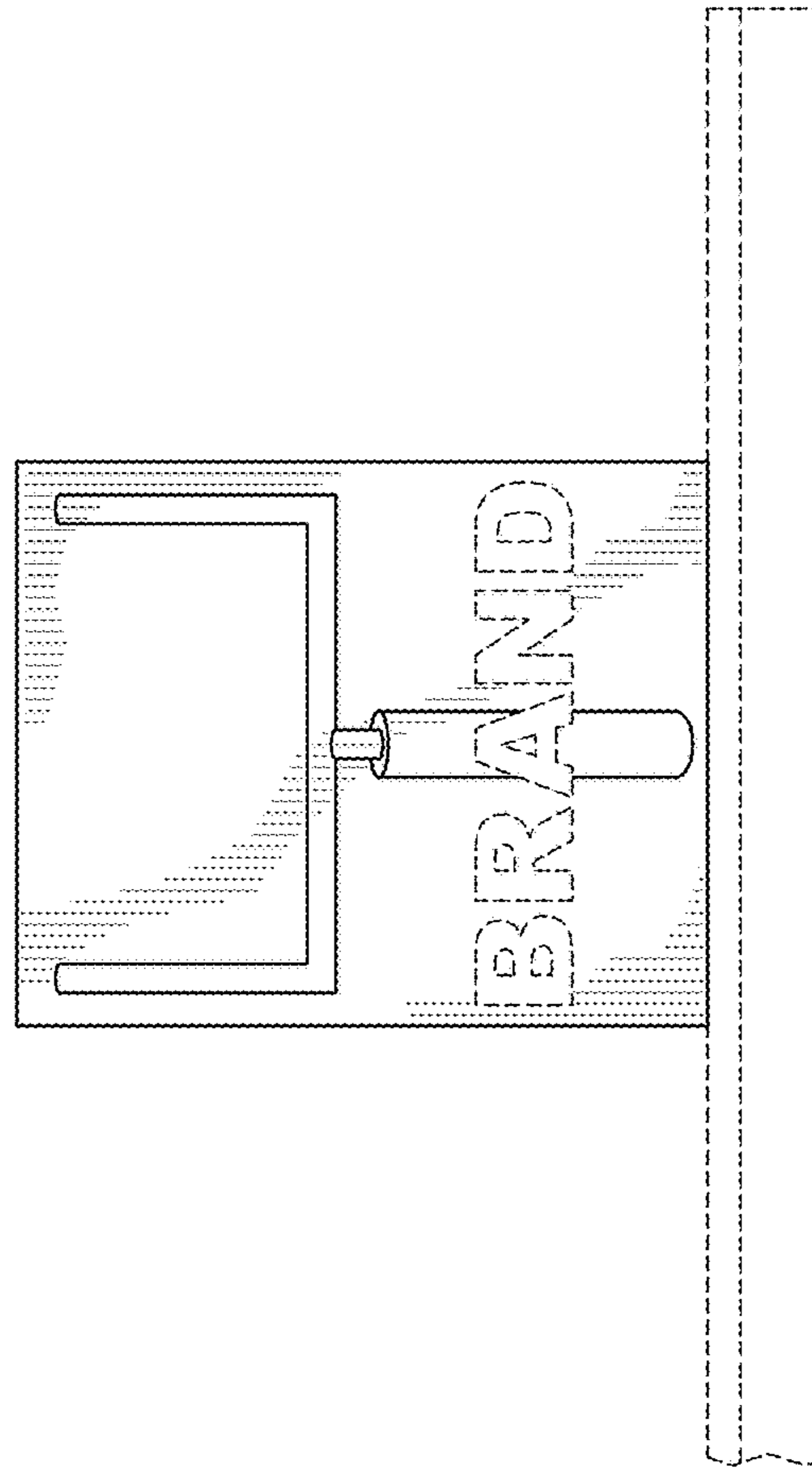


FIG. 3

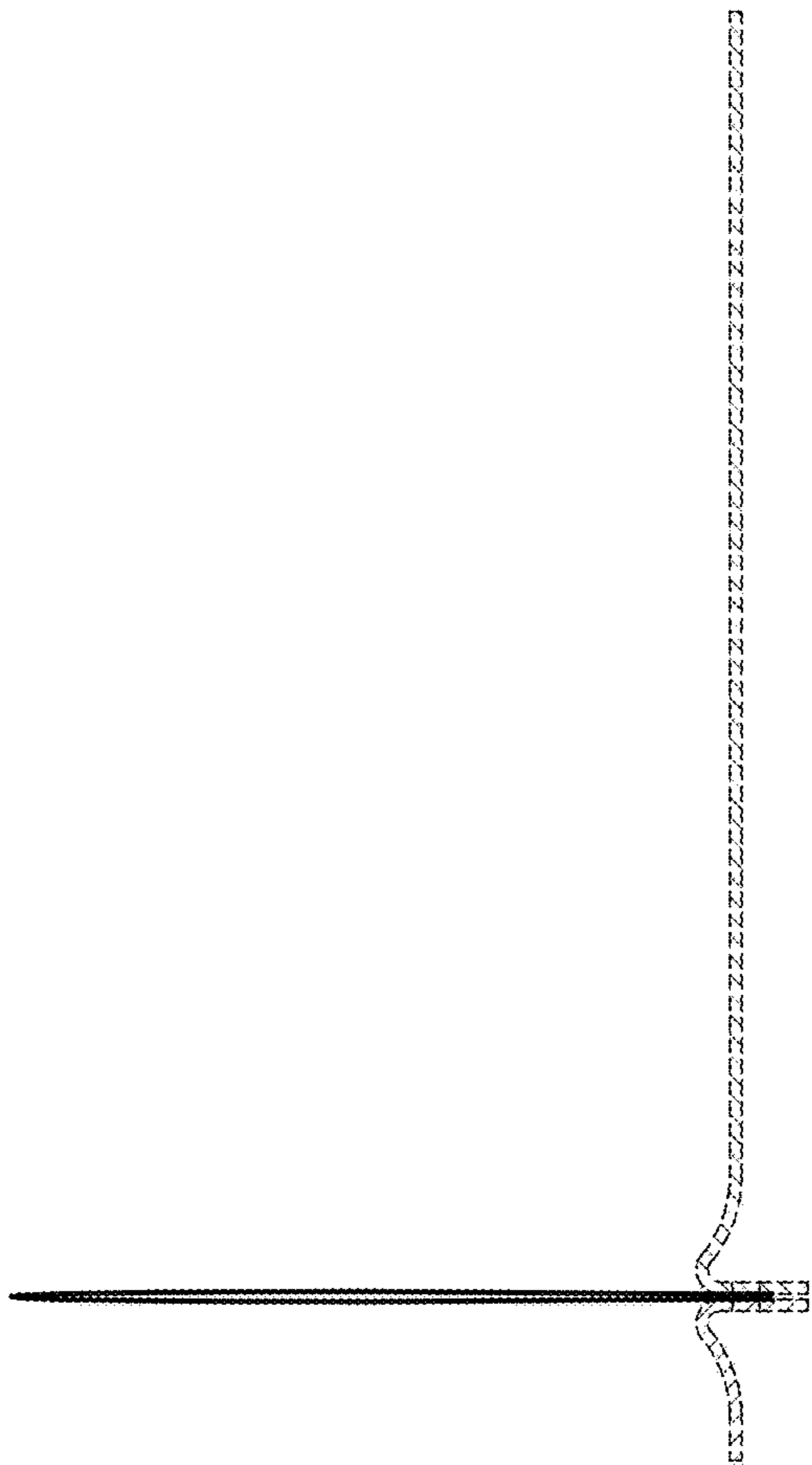


FIG. 4

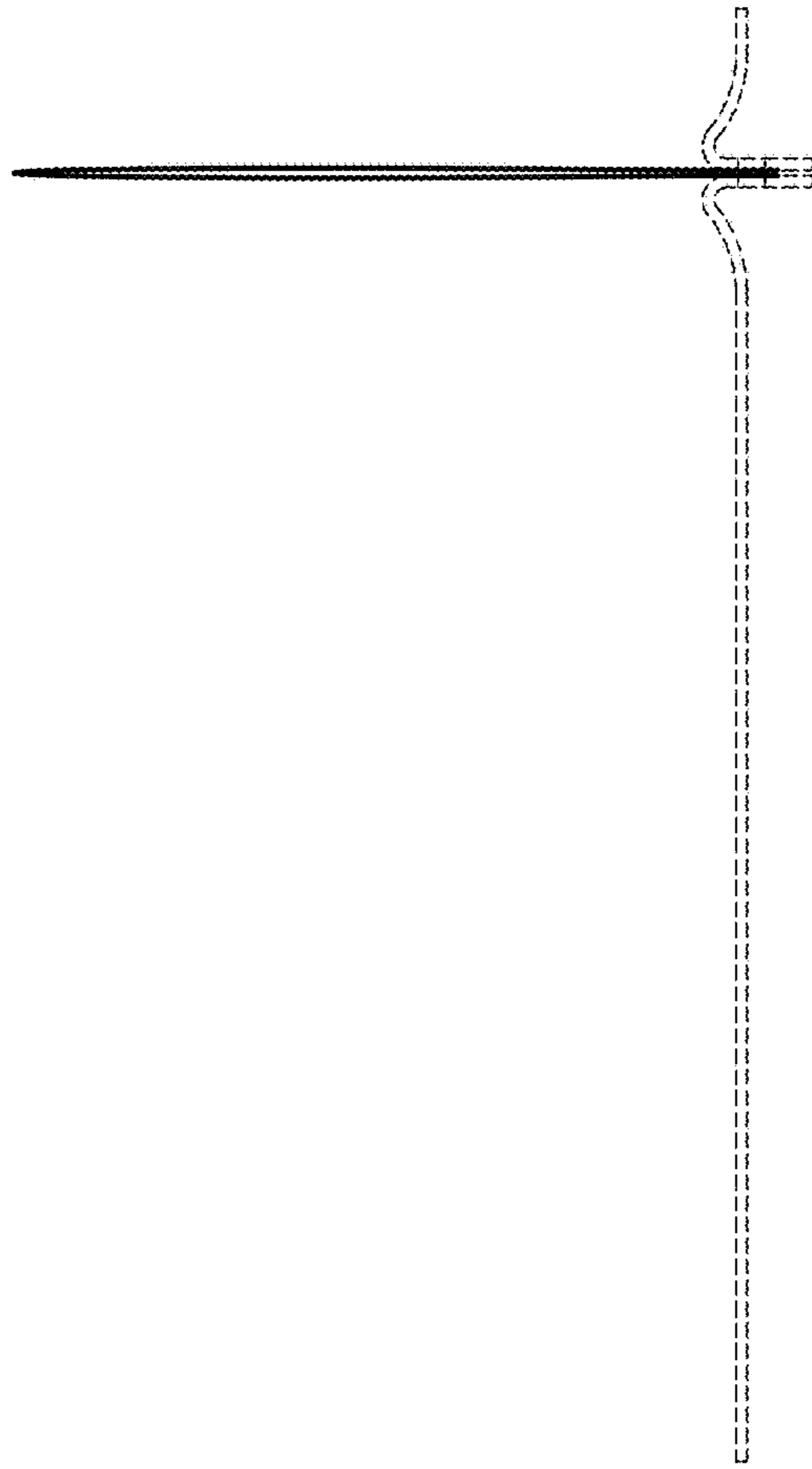


FIG. 5

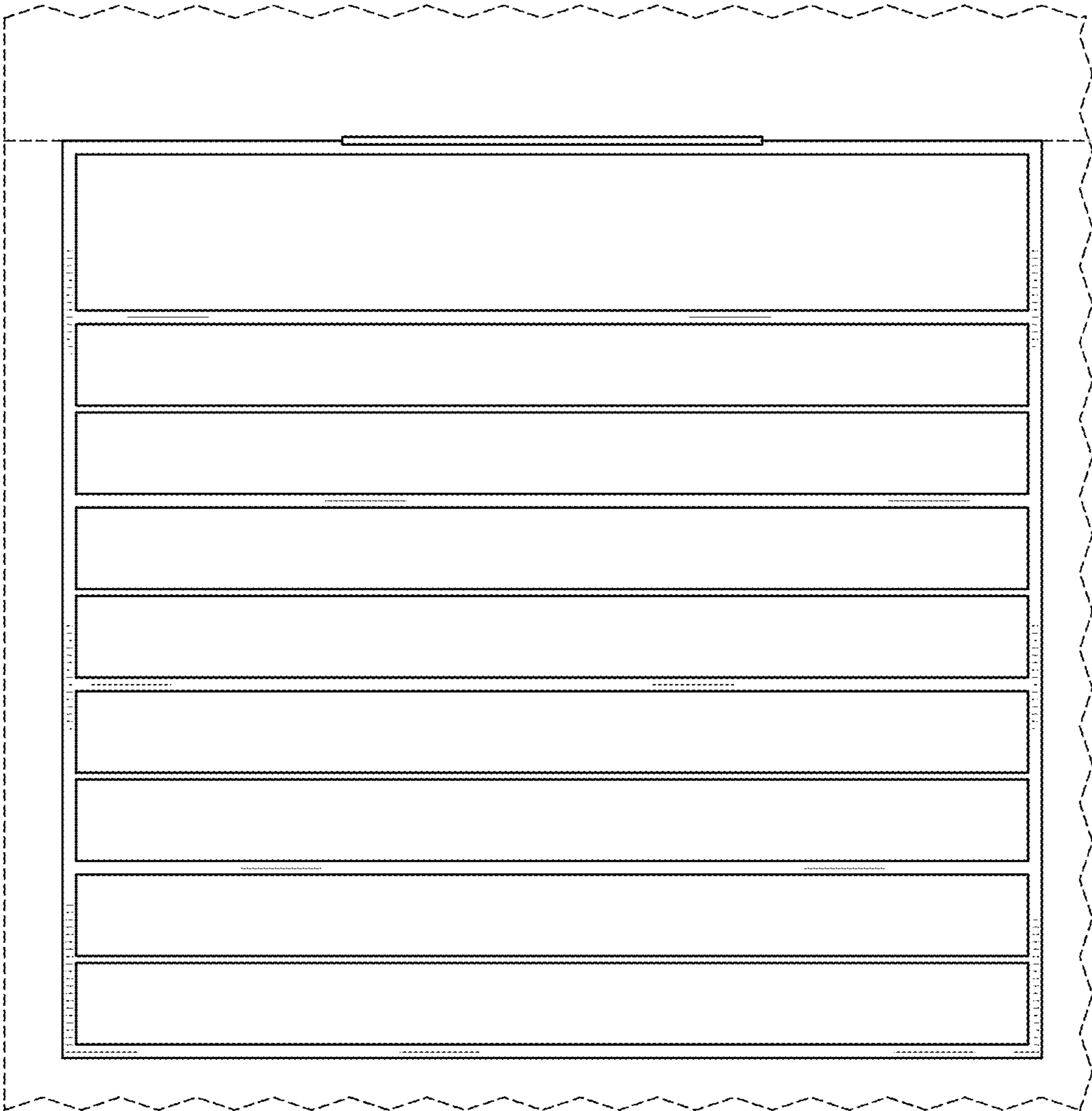


FIG. 6