



US00D831971S

(12) **United States Design Patent** (10) **Patent No.:** **US D831,971 S**
Porcaro (45) **Date of Patent:** **** Oct. 30, 2018**

(54) **HAIR COLOR TINT BRUSH**
(71) Applicant: **MNG Global Inc**, Hollywood, FL (US)
(72) Inventor: **Michele Porcaro**, Sunrise, FL (US)
(73) Assignee: **MNG Global Inc.**, Hollywood, FL (US)
(**) Term: **15 Years**
(21) Appl. No.: **29/605,038**
(22) Filed: **May 23, 2017**
(51) **LOC (11) Cl.** **04-02**
(52) **U.S. Cl.**
USPC **D4/135**
(58) **Field of Classification Search**
USPC D4/114, 115, 116, 117, 118, 119, 120,
D4/121, 122, 123, 124, 125, 126, 127,
D4/128, 129, 130, 131, 132, 133, 134,
D4/135, 136, 137, 138, 199; D28/7, 20,
D28/25, 28, 30
CPC A46B 9/02; A46B 9/021; A46B 2200/1046
See application file for complete search history.

(56) **References Cited**
U.S. PATENT DOCUMENTS
2,122,980 A * 7/1938 Grumbacher A46B 3/12
15/192
D155,308 S * 9/1949 Morrison 132/212
5,276,935 A * 1/1994 Lemon A46B 11/00
15/104.94
D471,585 S * 3/2003 Man D10/15
D528,304 S * 9/2006 Langer D4/116
D571,559 S * 6/2008 Riaz D4/135

(Continued)
FOREIGN PATENT DOCUMENTS
CN 002602847-0007 * 3/2015
CN 002910968-0012 * 12/2015
(Continued)

Primary Examiner — Karen E Eldridge Powers
(74) *Attorney, Agent, or Firm* — The Concept Law Group, PA; Scott M. Garrett

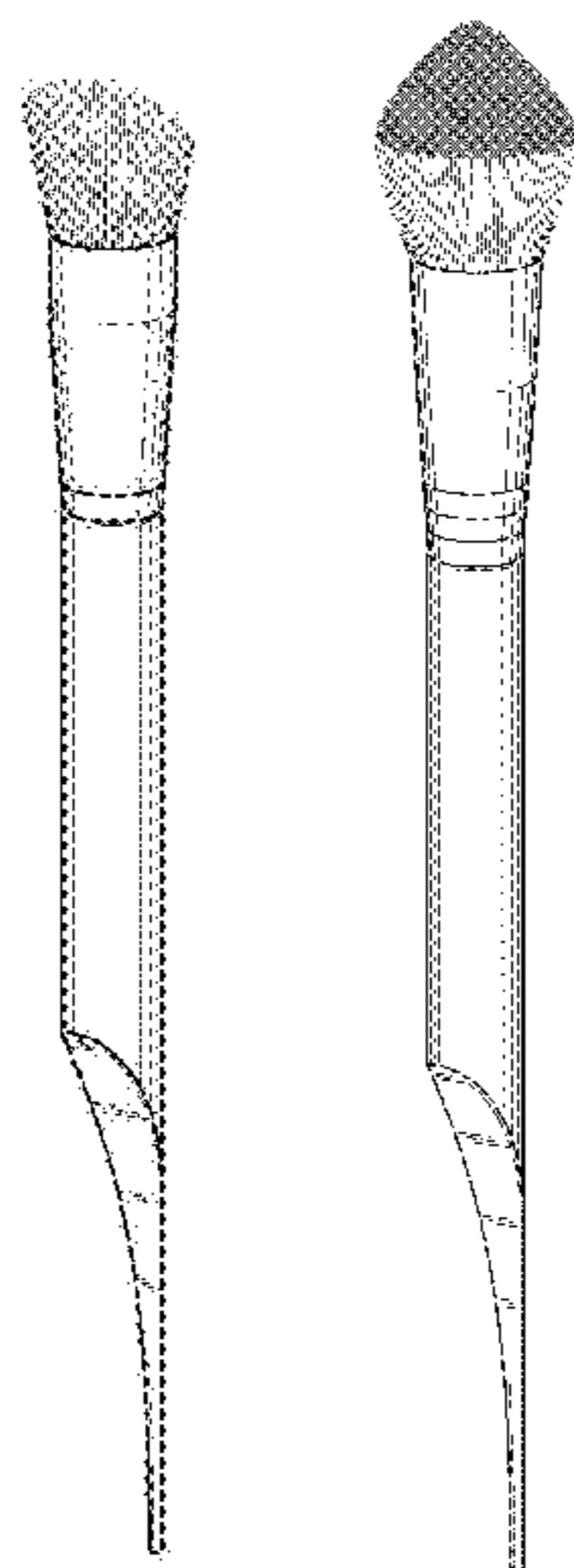
(57) **CLAIM**

The ornamental design for a hair color tint brush, as shown and described.

DESCRIPTION

FIG. 1 is rear perspective view of a tint brush, in accordance with a first embodiment;
FIG. 2 is a front perspective view thereof;
FIG. 3 is an elevational right side view thereof;
FIG. 4 is an elevational left side view thereof;
FIG. 5 is a rear elevational view thereof;
FIG. 6 is a front elevational view thereof;
FIG. 7 is a top plan view thereof;
FIG. 8 is a bottom plan view thereof;
FIG. 9 is rear perspective view of a tint brush, in accordance with a second embodiment;
FIG. 10 is a front perspective view thereof;
FIG. 11 is an elevational right side view thereof;
FIG. 12 is an elevational left side view thereof;
FIG. 13 is a rear elevational view thereof;
FIG. 14 is a front elevational view thereof;
FIG. 15 is a top plan view thereof;
FIG. 16 is a bottom plan view thereof;
FIG. 17 is rear perspective view of a tint brush, in accordance with a third embodiment;
FIG. 18 is a front perspective view thereof;
FIG. 19 is an elevational right side view thereof;
FIG. 20 is an elevational left side view thereof;
FIG. 21 is a rear elevational view thereof;
FIG. 22 is a front elevational view thereof;
FIG. 23 is a top plan view thereof; and,
FIG. 24 is a bottom plan view thereof.

1 Claim, 6 Drawing Sheets



(56)

References Cited

U.S. PATENT DOCUMENTS

7,416,080 B1 * 8/2008 Langer A45D 33/00
206/15.2
D655,006 S * 2/2012 Rajaiiah D24/147
D663,957 S * 7/2012 Garcia D4/135
D781,593 S * 3/2017 Kaicker D4/128
D791,489 S * 7/2017 Hwang D4/127
D808,661 S * 1/2018 Jain D4/199
D817,546 S * 5/2018 Barozzi D28/7
D818,275 S * 5/2018 Grund D4/120
2017/0265637 A1 * 9/2017 Telwar A46B 9/021

FOREIGN PATENT DOCUMENTS

EM 003330448-0001 * 8/2016
KR 3008588886.0000 * 6/2016

* cited by examiner

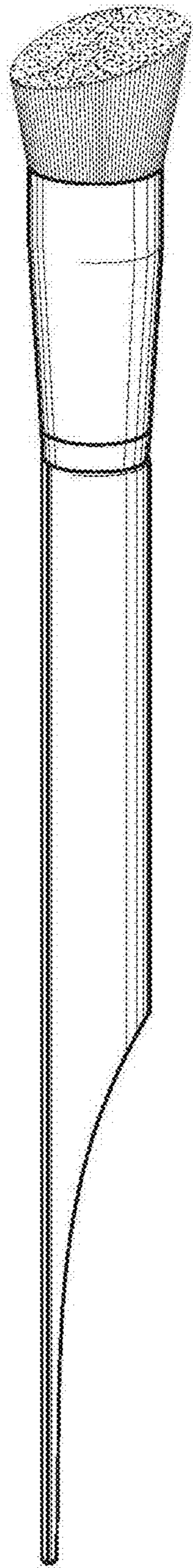


FIG. 1

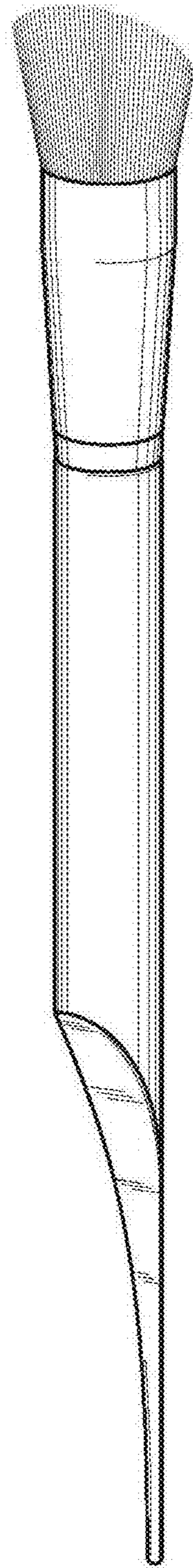


FIG. 2

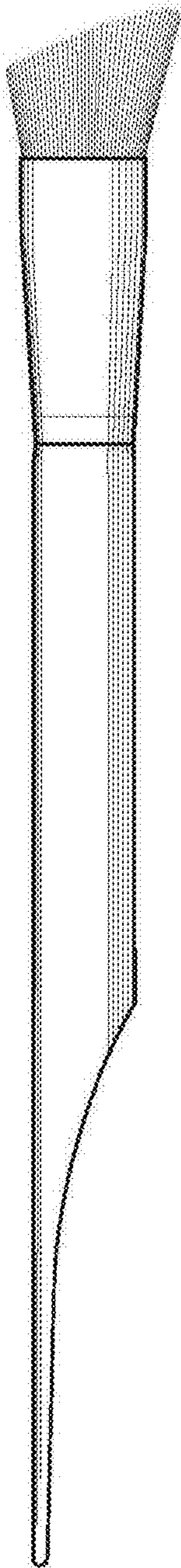


FIG. 3

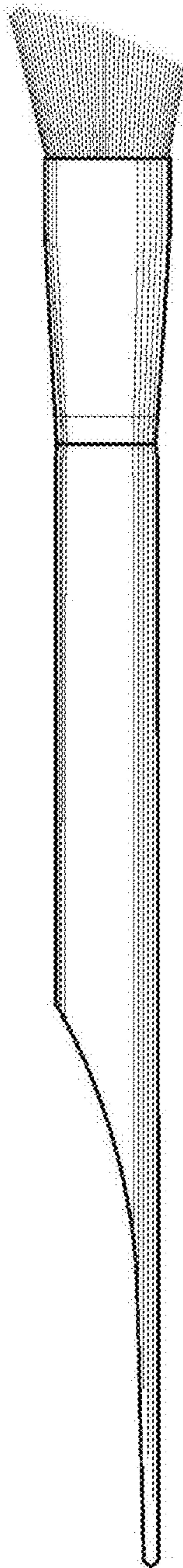


FIG. 4

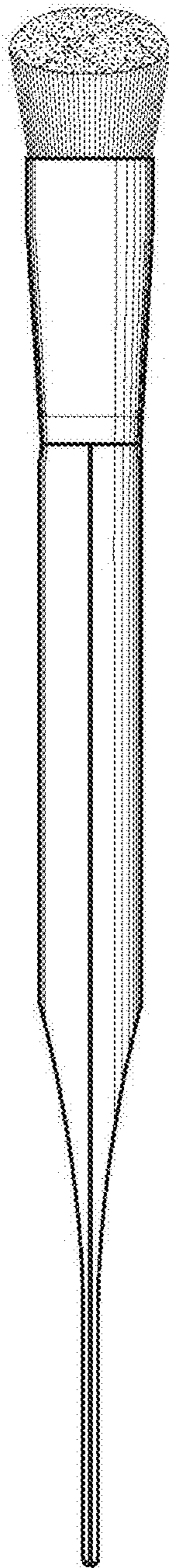


FIG. 5

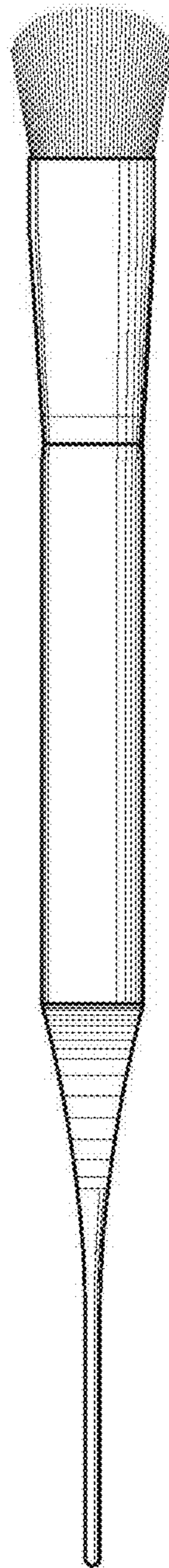


FIG. 6

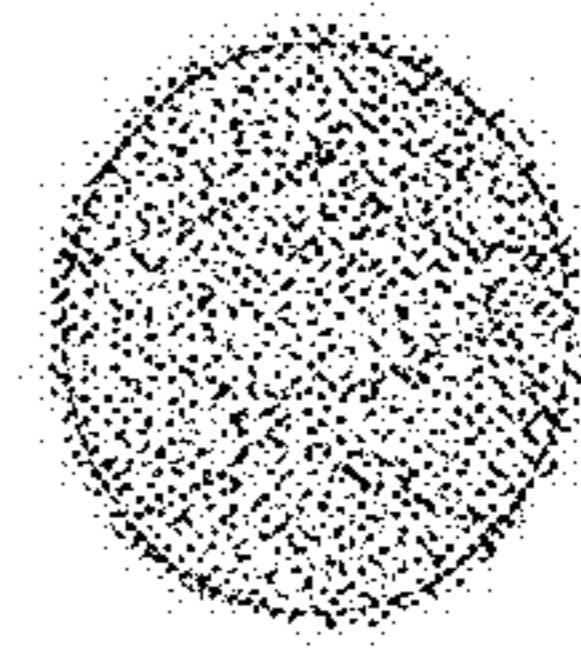


FIG. 7

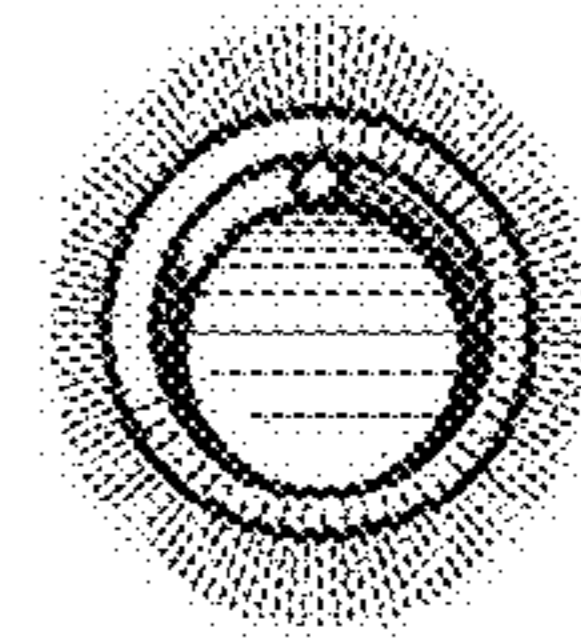


FIG. 8

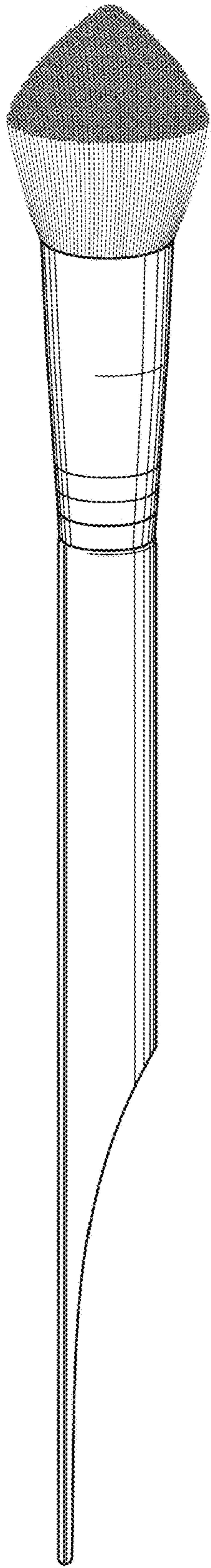


FIG. 9

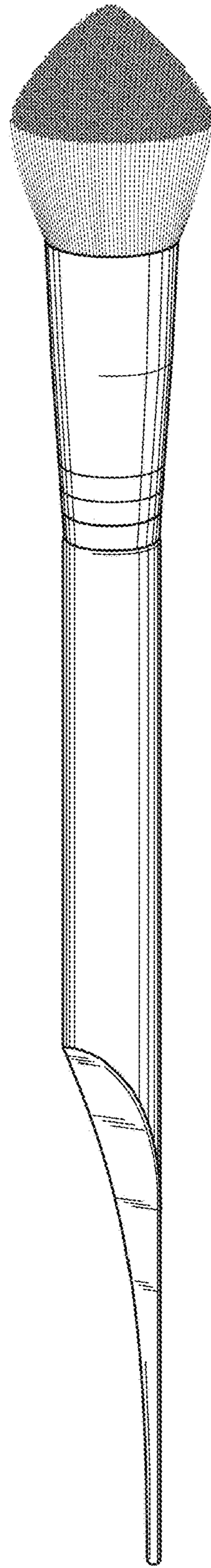


FIG. 10

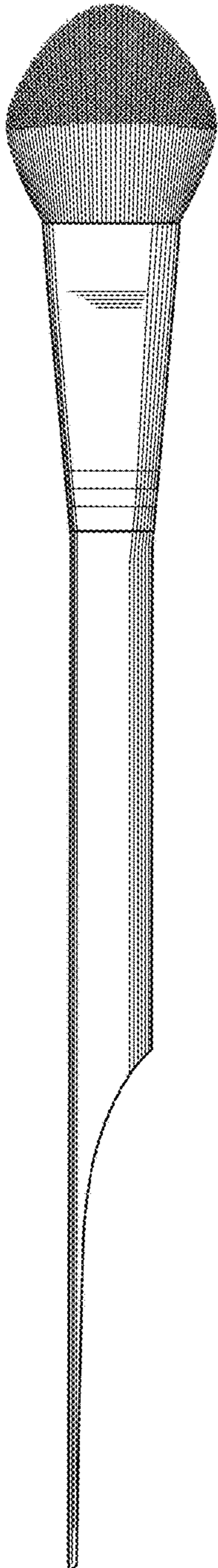


FIG. 11

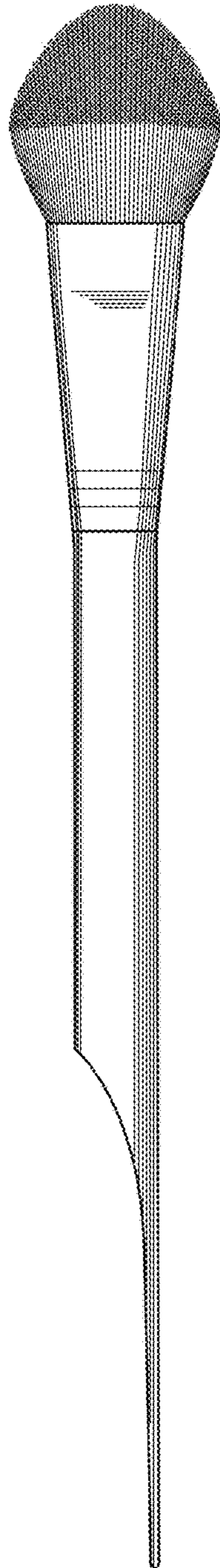


FIG. 12

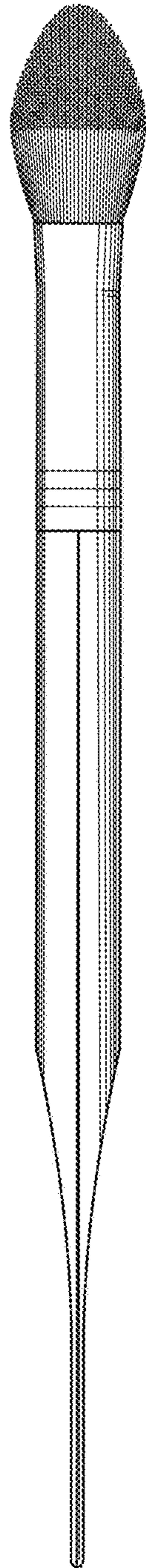


FIG. 13

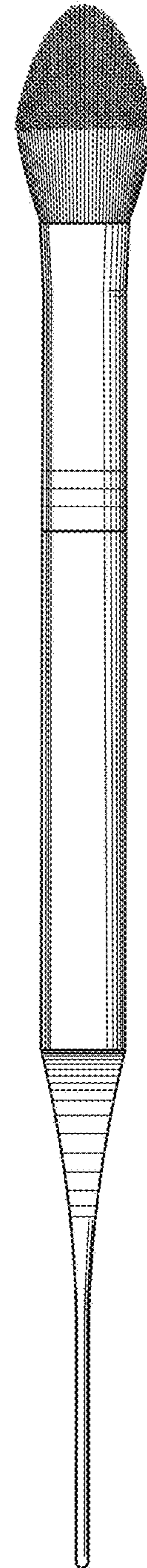


FIG. 14

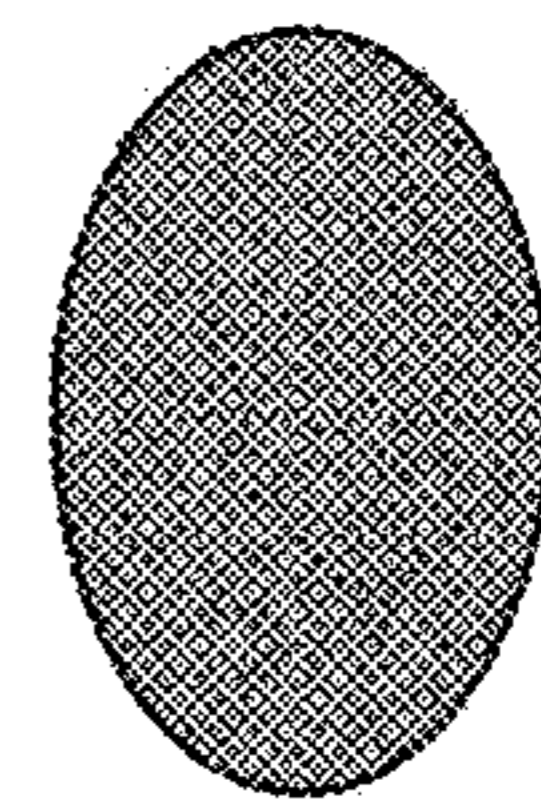


FIG. 15

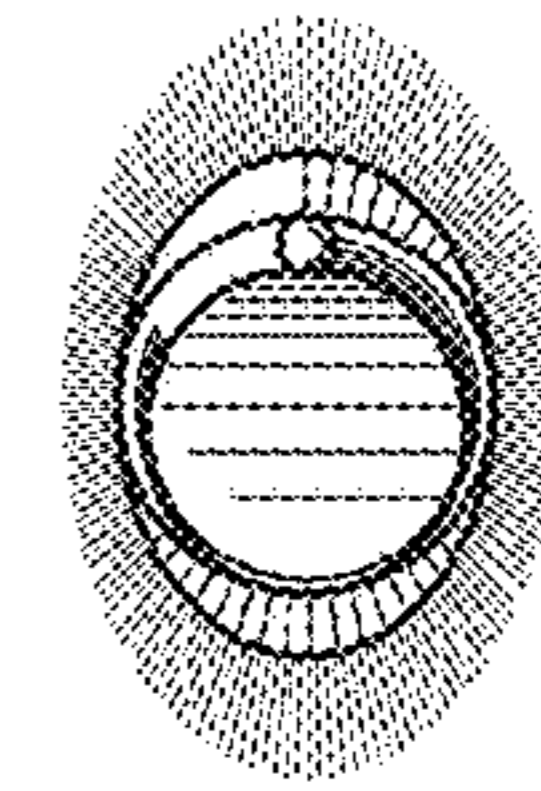


FIG. 16

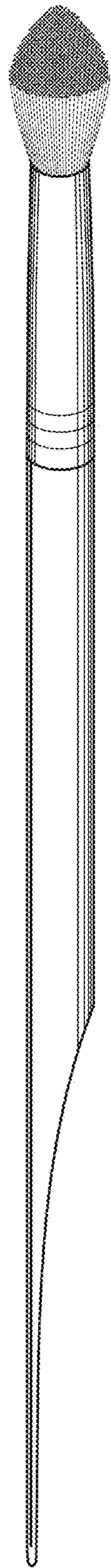


FIG. 17

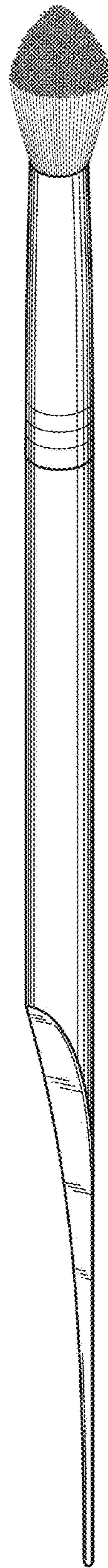


FIG. 18

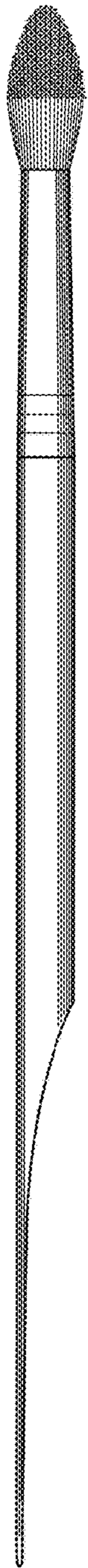


FIG. 19

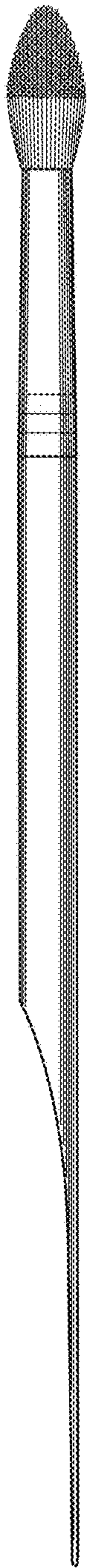


FIG. 20

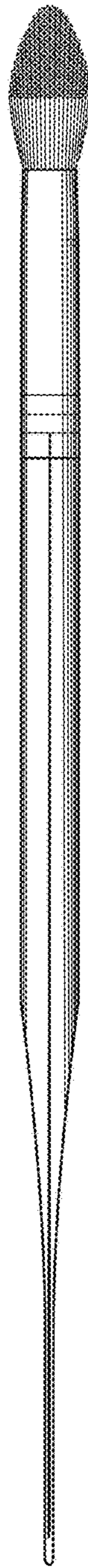


FIG. 21

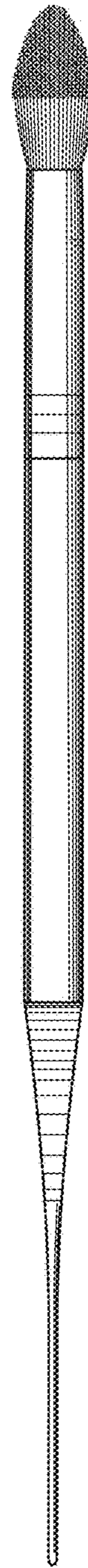


FIG. 22

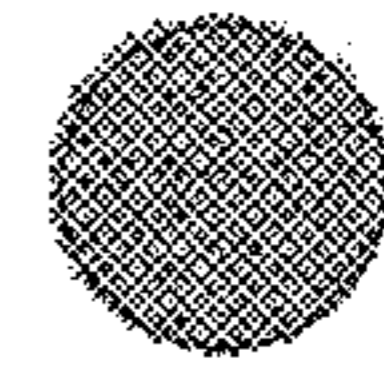


FIG. 23

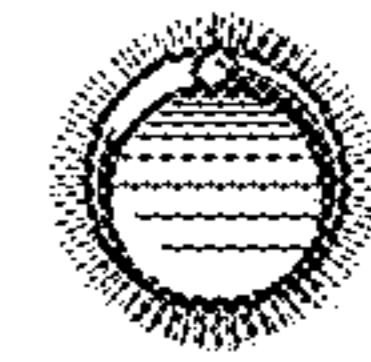


FIG. 24