



US00D831970S

(12) **United States Design Patent** (10) **Patent No.:** **US D831,970 S**  
**Nicoline** (45) **Date of Patent:** **\*\* Oct. 30, 2018**

(54) **BRISTLES OF A MAKEUP BRUSH**

(71) Applicant: **Paris Presents Incorporated**, Gurnee, IL (US)

(72) Inventor: **Alyssa C. Nicoline**, McHenry, IL (US)

(73) Assignee: **PARIS PRESENTS INCORPORATED**, Gurnee, IL (US)

(\*\*) Term: **15 Years**

(21) Appl. No.: **29/618,158**

(22) Filed: **Sep. 19, 2017**

(51) **LOC (11) Cl.** ..... **04-02**

(52) **U.S. Cl.**  
USPC ..... **D4/130**

(58) **Field of Classification Search**  
USPC ..... D4/114, 115, 116, 117, 118, 119, 120, D4/121, 122, 123, 124, 125, 126, 127,  
(Continued)

(56) **References Cited**

**U.S. PATENT DOCUMENTS**

D60,107 S \* 12/1921 Quimby et al. .... D21/623  
RE16,869 E 2/1928 Goldman  
(Continued)

**FOREIGN PATENT DOCUMENTS**

CN 301850467 \* 3/2012  
CN 301855897 \* 3/2012  
(Continued)

**OTHER PUBLICATIONS**

Blog posting by Bonnie Garner, "Why I'm not a fan of Real Techniques makeup brushes" [on-line]. Published Aug. 28, 2014;

retrieved from the Internet Jun. 11, 2018. URL: <<https://bonnie-garner.com/en/2014/08/28/im-fan-real-techniques-makeup-brushes/>>. (23 pages) (Year: 2014).\*

(Continued)

*Primary Examiner* — Karen E Eldridge Powers  
(74) *Attorney, Agent, or Firm* — Quarles & Brady LLP

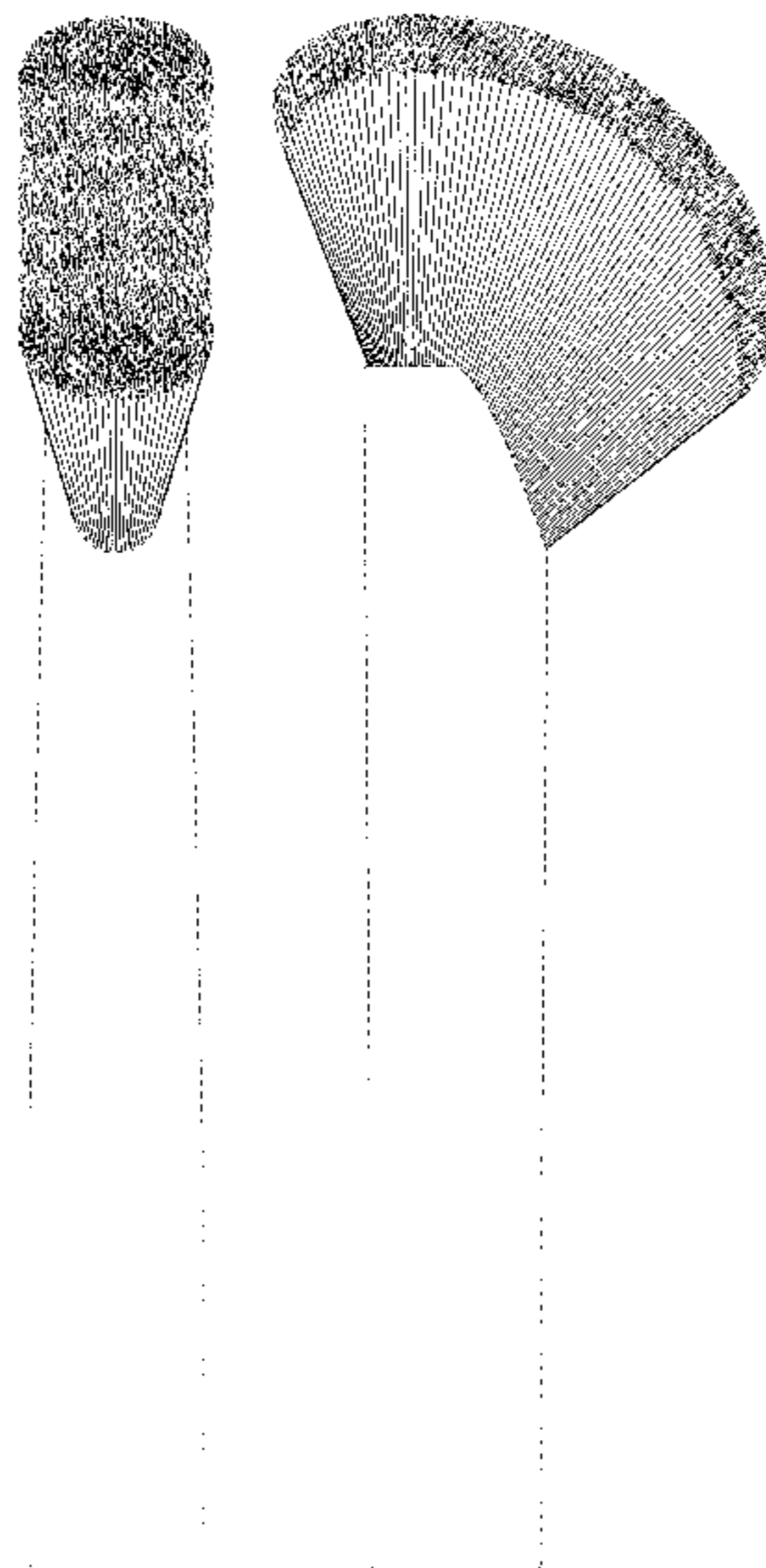
(57) **CLAIM**

The ornamental design for bristles of a makeup brush, as shown and described.

**DESCRIPTION**

FIG. 1 is an isometric view of a front, top, and right side of an ornamental design for bristles of a makeup brush; FIG. 2 is a front elevational view of the bristles of FIG. 1; FIG. 3 is a rear elevational view of the bristles of FIG. 1; FIG. 4 is a right side elevational view of the bristles of FIG. 1; FIG. 5 is a left side elevational view of the bristles of FIG. 1; FIG. 6 is a top plan view of the bristles of FIG. 1; FIG. 7 is a bottom plan view of the bristles of FIG. 1; FIG. 8 is an isometric view of a front, top, and right side of another embodiment of an ornamental design for bristles of a makeup brush; FIG. 9 is a front elevational view of the bristles of FIG. 8; FIG. 10 is a rear elevational view of the bristles of FIG. 8; FIG. 11 is a right side elevational view of the bristles of FIG. 8; FIG. 12 is a left side elevational view of the bristles of FIG. 8; FIG. 13 is a top plan view of the bristles of FIG. 8; and, FIG. 14 is a bottom plan view of the bristles of FIG. 8. The dash-dash-dash lines are for the purpose of illustrating environmental structure and form no part of the claimed design. FIGS. 1-7 and 8-14 depict bristles with no specific color or contrast in color being claimed between the bristles themselves. The dash-dot-dash lines form no part of the claimed design and represent a boundary line.

**1 Claim, 8 Drawing Sheets**



(58) **Field of Classification Search**  
 USPC ..... D4/128, 129, 130, 131, 132, 133, 134,  
 D4/135, 136, 137, 138, 199; D28/7, 20,  
 D28/25, 28, 30  
 CPC ... A46B 9/02; A46B 9/021; A46B 2200/1046;  
 A46B 3/02; A46B 3/08; A46D 3/005  
 See application file for complete search history.

(56) **References Cited**

U.S. PATENT DOCUMENTS

D116,216 S 8/1939 Brekke  
 2,674,759 A \* 4/1954 Solberg ..... A46B 3/12  
 15/193  
 D238,631 S 2/1976 Leighton  
 D258,240 S 2/1981 Takada  
 D275,040 S 8/1984 Holloway  
 D278,951 S 5/1985 Kalinsky  
 D278,952 S 5/1985 Kalinsky  
 D285,730 S 9/1986 Bulwick  
 D295,878 S 5/1988 Lovell  
 D304,392 S 11/1989 Reich  
 D312,729 S 12/1990 Auttajark  
 D319,736 S 9/1991 Thuresson et al.  
 5,062,672 A \* 11/1991 Harris ..... B03C 1/28  
 15/104.001  
 D323,186 S 1/1992 Clark et al.  
 D327,979 S 7/1992 Carranza  
 D346,277 S 4/1994 Sherman  
 D361,236 S 8/1995 Murgalo  
 D376,696 S 12/1996 Vogel  
 D376,910 S 12/1996 Tuchman  
 D386,311 S 11/1997 Moskovich  
 D395,552 S 6/1998 Cunningham  
 D418,601 S 1/2000 McGugan  
 6,039,051 A 3/2000 Dorf  
 D427,777 S 7/2000 Kim  
 D430,608 S 9/2000 Krieglstein et al.  
 D431,324 S 9/2000 Hirato et al.  
 D433,537 S 11/2000 Schoon et al.  
 D435,349 S 12/2000 Kim  
 D438,383 S 3/2001 Doat  
 D446,212 S 8/2001 Chang  
 D451,285 S 12/2001 Andersson  
 D452,948 S 1/2002 Mink  
 6,386,874 B2 5/2002 Bachmann et al.  
 D460,111 S 7/2002 Veillon  
 D469,180 S 1/2003 Mark  
 6,513,183 B2 2/2003 Dorf  
 D478,213 S 8/2003 Ping  
 D479,917 S \* 9/2003 Mink ..... D4/135  
 D485,575 S 1/2004 Lovell  
 6,779,532 B2 8/2004 Dorf  
 D516,257 S 2/2006 Brackett et al.  
 D518,102 S 3/2006 Lovell  
 D527,188 S 8/2006 Langer  
 D528,304 S 9/2006 Langer  
 D528,305 S 9/2006 Langer  
 D529,292 S 10/2006 Langer  
 D529,293 S 10/2006 Langer  
 D529,719 S 10/2006 Langer  
 D530,097 S 10/2006 Langer  
 D530,519 S 10/2006 Langer  
 D541,979 S 5/2007 Montoli  
 D571,105 S 6/2008 Godin  
 D571,559 S 6/2008 Riaz  
 D572,010 S 7/2008 Riaz  
 D573,348 S 7/2008 Dumler et al.  
 D573,349 S 7/2008 Dumler et al.  
 D574,154 S 8/2008 Dumler et al.  
 D574,155 S 8/2008 Dumler et al.  
 D598,655 S 8/2009 Thorpe  
 D599,113 S 9/2009 Jackel-Marken  
 RE41,710 E 9/2010 Dumler et al.  
 RE41,711 E 9/2010 Dumler et al.  
 D625,522 S 10/2010 Riaz  
 D627,977 S 11/2010 Magallances Orozco

D628,811 S 12/2010 Masuyama  
 D629,846 S 12/2010 Losel  
 D630,437 S 1/2011 Carey  
 D631,666 S 2/2011 Lim  
 D632,086 S 2/2011 Kulik  
 D632,089 S \* 2/2011 Limongi ..... D4/135  
 D634,127 S 3/2011 Burgess et al.  
 D642,805 S 8/2011 Burgess et al.  
 D645,665 S 9/2011 Del Ponte  
 D650,012 S 12/2011 Losel  
 D655,006 S 2/2012 Rajaiah  
 D658,385 S 5/2012 Lim et al.  
 8,185,998 B2 \* 5/2012 Xu ..... A46B 5/0095  
 132/120  
 D662,324 S \* 6/2012 Garcia ..... D4/135  
 D663,957 S \* 7/2012 Garcia ..... D4/135  
 8,230,543 B2 7/2012 Shrier  
 D676,663 S 2/2013 Ptok  
 D676,666 S 2/2013 Nelson  
 D677,904 S 3/2013 Hammer  
 D678,682 S 3/2013 Hammer  
 D678,683 S 3/2013 Hammer  
 D678,684 S 3/2013 Hammer  
 8,549,692 B2 \* 10/2013 Befve ..... A46B 9/021  
 15/160  
 8,562,352 B2 \* 10/2013 Fairweather ..... A45D 33/36  
 434/100  
 D699,041 S 2/2014 Waitesmith  
 D706,542 S 6/2014 Lavigne  
 D718,060 S 11/2014 Filho et al.  
 D718,941 S 12/2014 Matsuishi  
 D743,632 S 11/2015 Schlickman  
 D746,010 S 12/2015 Xavier et al.  
 D747,835 S 1/2016 Barnard et al.  
 9,237,790 B2 1/2016 Takagi  
 D749,327 S 2/2016 Thierer et al.  
 D749,858 S 2/2016 Snook  
 D749,859 S 2/2016 Snook  
 D750,383 S 3/2016 Serrano  
 D752,149 S 3/2016 Fairweather  
 D753,769 S 4/2016 Ciriolo  
 D756,127 S 5/2016 Nicoline  
 D756,661 S 5/2016 Waitesmith  
 D757,441 S 5/2016 Hwang  
 D757,443 S 5/2016 Waitesmith  
 D757,447 S 5/2016 White  
 D762,988 S 8/2016 Xavier et al.  
 D763,676 S 8/2016 Filho et al.  
 D764,807 S 8/2016 Waitesmith  
 D765,421 S 9/2016 Cole  
 D766,586 S 9/2016 Hwang  
 D767,903 S 10/2016 Lim  
 D768,998 S 10/2016 Kim et al.  
 D771,389 S 11/2016 Since  
 D776,440 S 1/2017 Jain  
 D778,067 S 2/2017 Jain  
 D778,617 S 2/2017 Jain  
 D778,618 S 2/2017 Jain  
 D778,619 S 2/2017 Jain  
 D778,620 S 2/2017 Jain  
 D778,621 S 2/2017 Jain  
 D778,623 S 2/2017 Jain  
 D779,137 S 2/2017 Taylor  
 D779,213 S 2/2017 Jain  
 D782,138 S 3/2017 Xavier et al.  
 D782,198 S 3/2017 Hwang  
 D782,199 S 3/2017 Hwang  
 D782,201 S 3/2017 Hwang  
 D782,826 S 4/2017 Kim et al.  
 D783,291 S 4/2017 Lin  
 D787,833 S \* 5/2017 Jain ..... D4/127  
 D789,695 S \* 6/2017 Jain ..... D4/127  
 D790,973 S 7/2017 Kern et al.  
 D800,457 S 10/2017 Kaicker  
 2002/0083953 A1 7/2002 Dorf  
 2014/0166041 A1 6/2014 King  
 2014/0332027 A1 \* 11/2014 Lim ..... A46B 9/021  
 132/320



(56)

**References Cited**

## U.S. PATENT DOCUMENTS

2015/0027495 A1 1/2015 Xavier et al.  
2017/0013951 A1\* 1/2017 Peterson ..... A46B 13/02  
2017/0188691 A1 7/2017 Richards

## FOREIGN PATENT DOCUMENTS

CN 303901885 \* 11/2016  
EM 001417935-0002 \* 8/2014  
WO 2012142545 10/2012

## OTHER PUBLICATIONS

Real Techniques Brushes Review [on-line]. Published Mar. 13, 2012; retrieved from the Internet Jun. 11, 2018. URL: <<https://www.theannaedit.com/real-techniques-brushes-review/>>. (6 pages) (Year: 2012).\*

Real Techniques cosmetic brushes shown in “Leading Youtube Beauty, Globally” [on-line]. Published Oct. 9, 2014; retrieved from the Internet Jun. 12, 2018. URL: <<https://web.archive.org/web/20141009083737/http://www.parispresents.com:80/brands/real-techniques/>>. (6 pages) (Year: 2014).\*

Real Techniques cosmetic brushes featured in article, “New Foundation Routine” by LennynB [on-line]. Published Apr. 10, 2013; retrieved from the Internet Jun. 10, 2018. URL: <<http://beautifulworldoflennynb.blogspot.com/2013/04/new-foundation-routine-fave-products.html>>. (5 pages) (Year: 2013).\*

“Tom Ford Cream Foundation Brush review photos and comparisons,” by Maria Pia [on-line]. Published Sep. 20, 2013; retrieved from the Internet Jun. 11, 2018. URL: <<http://ifmakeupcouldtalk.com/toolsaccessories/tom-ford-cream-foundation-brush-review-hotos-and-comparisons/>>. (4 pages) (Year: 2013).\*

\* cited by examiner

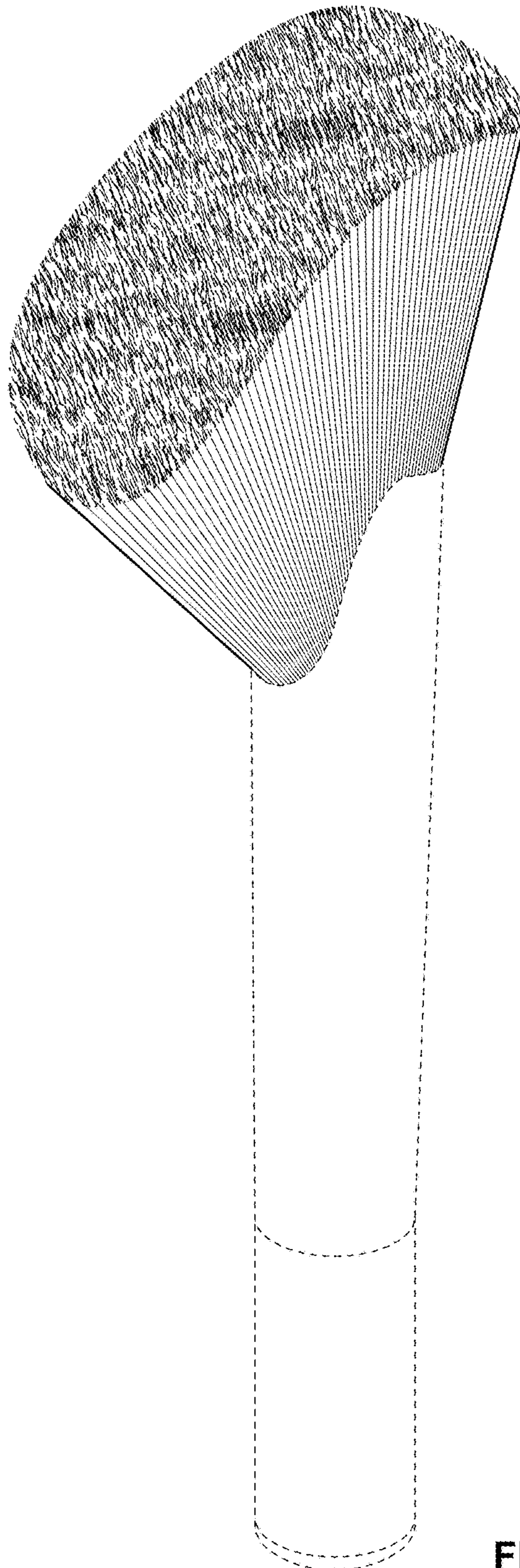


FIG. 1

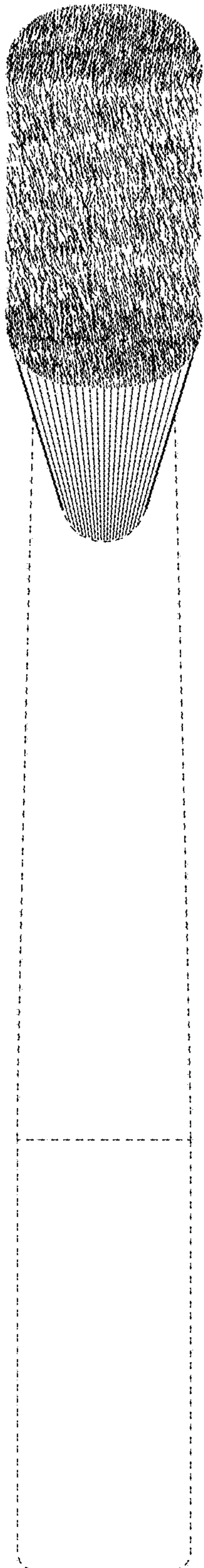


FIG. 2

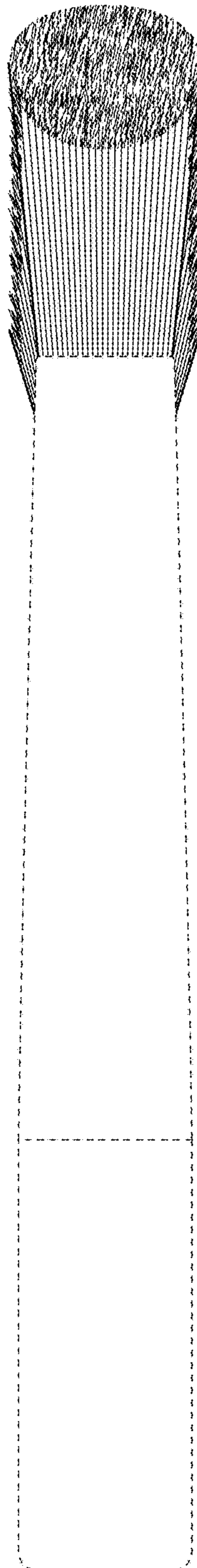


FIG. 3



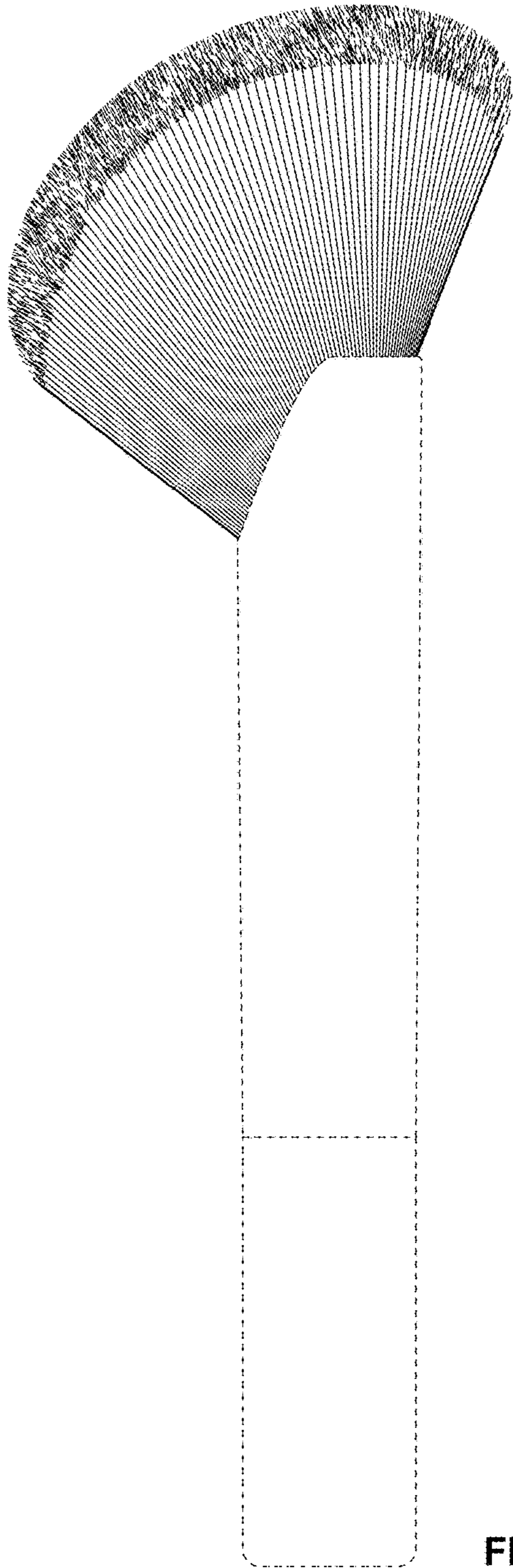


FIG. 4

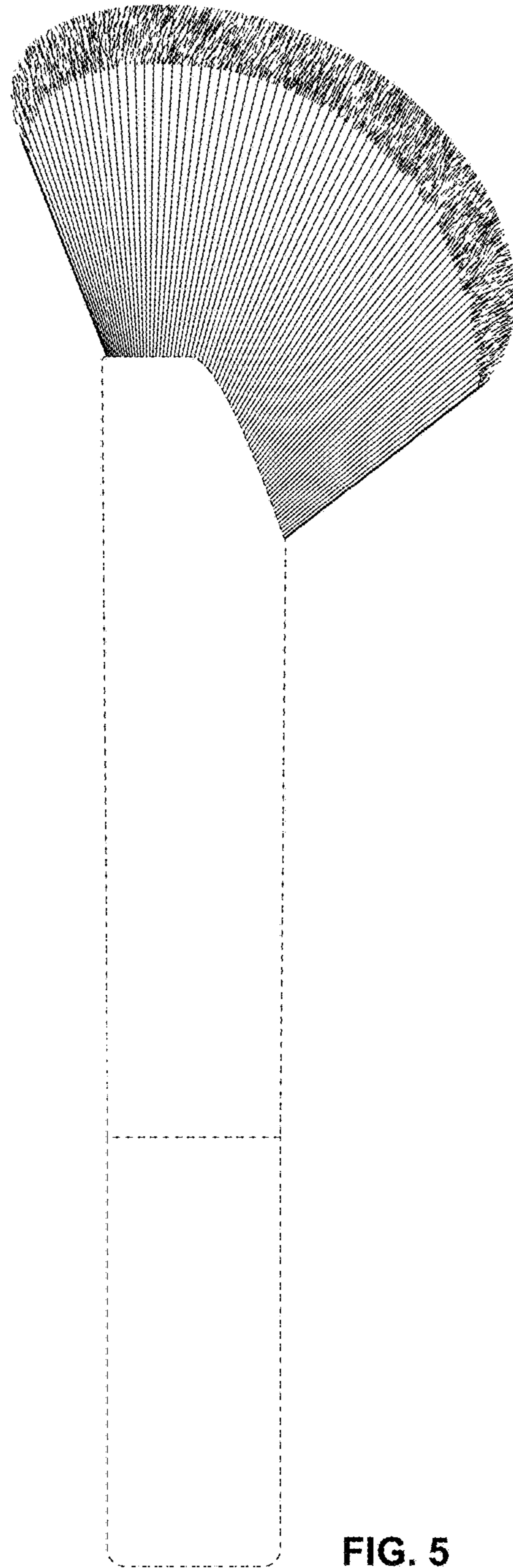


FIG. 5

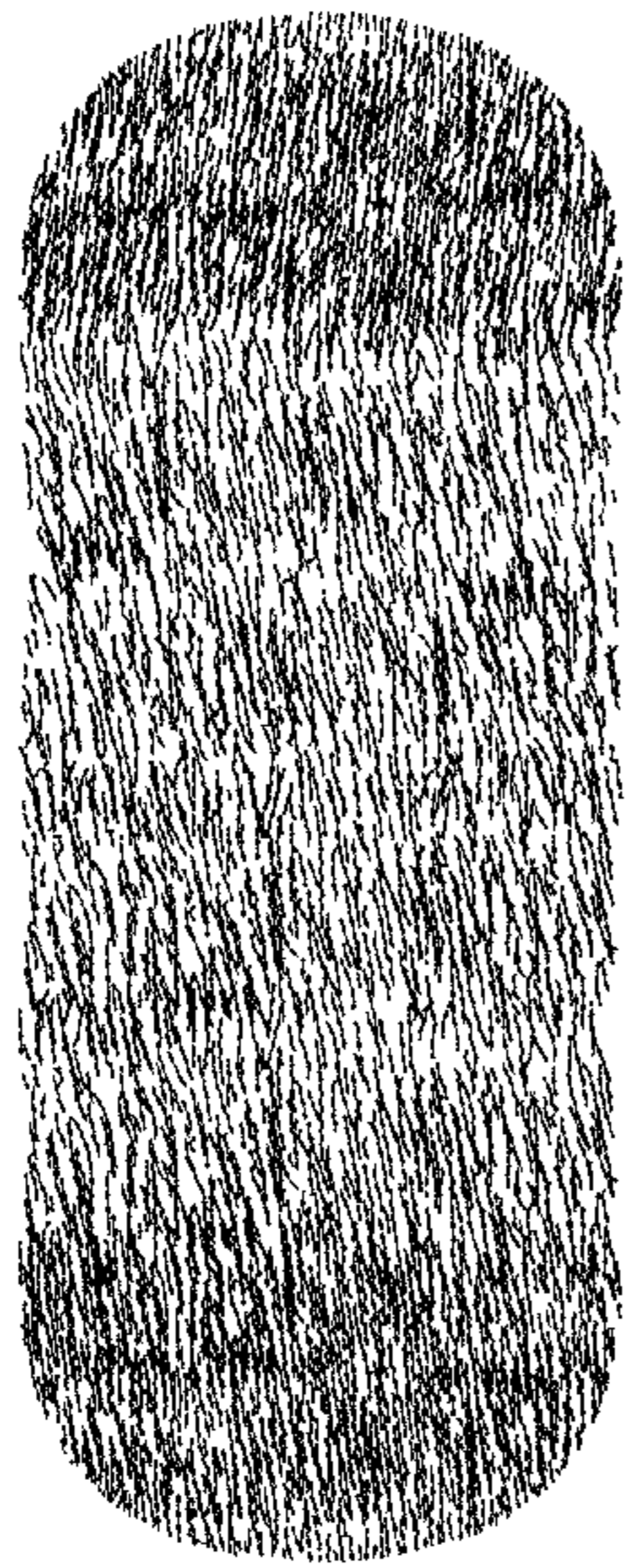


FIG. 6

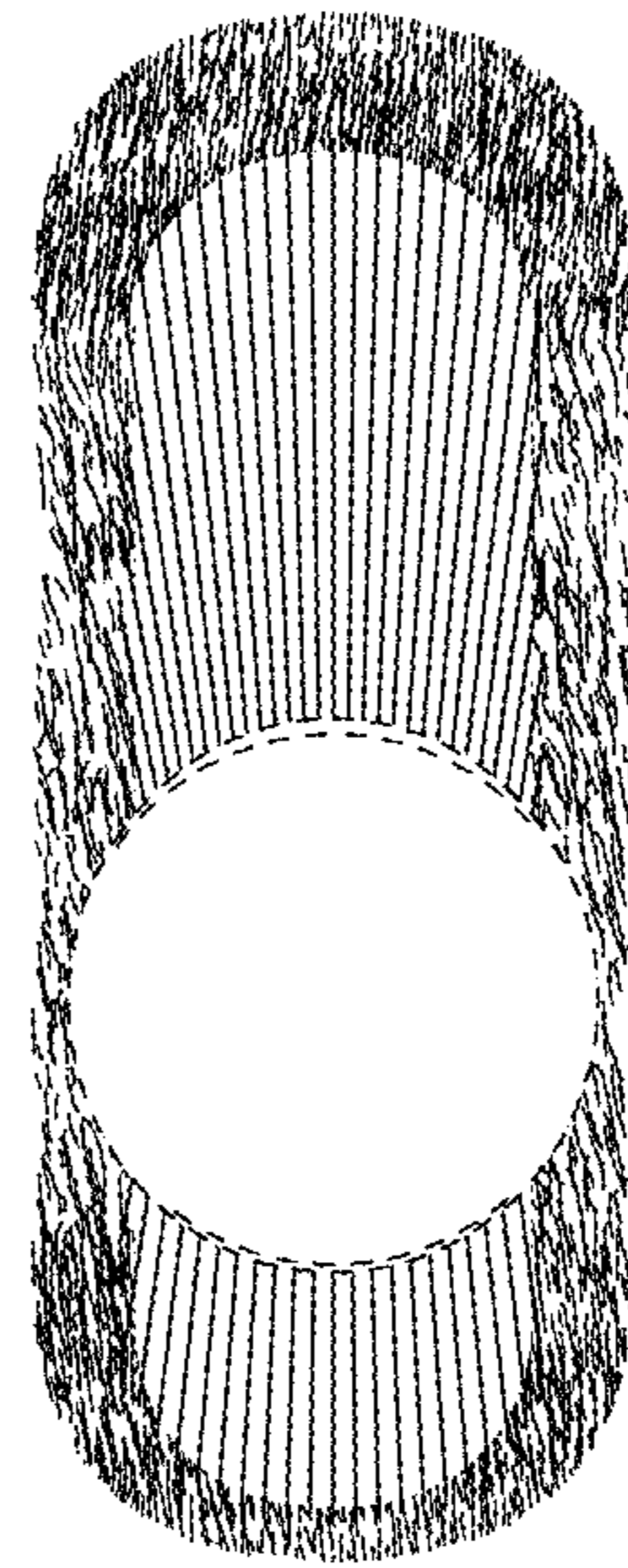


FIG. 7



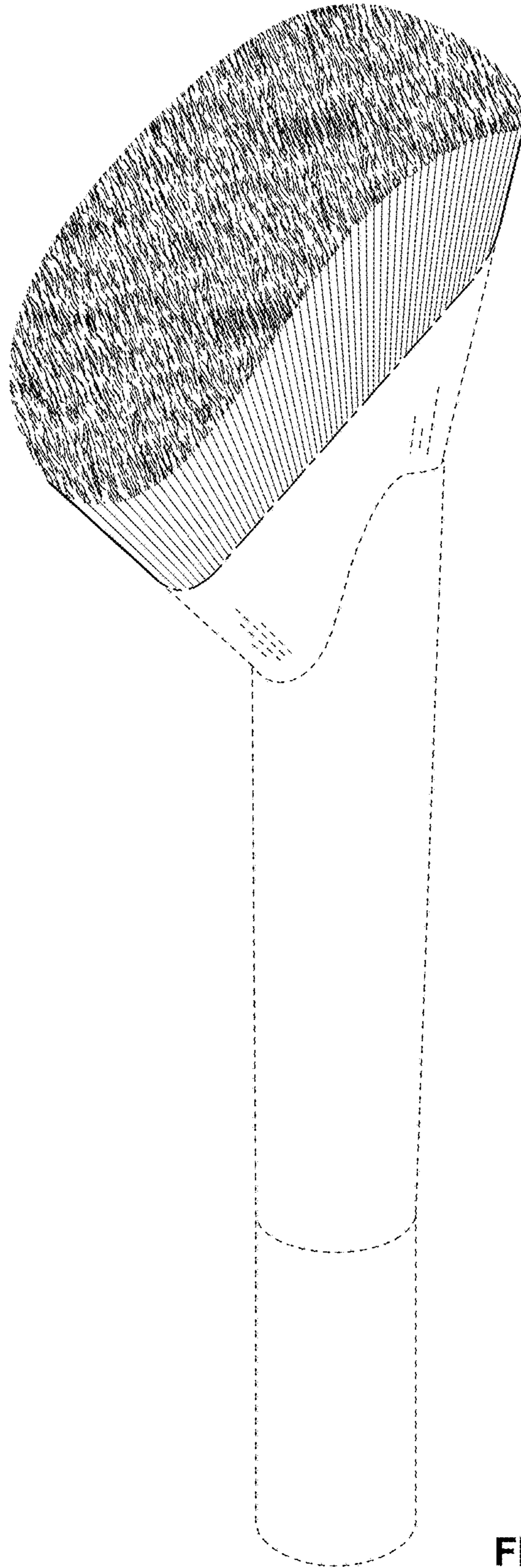


FIG. 8



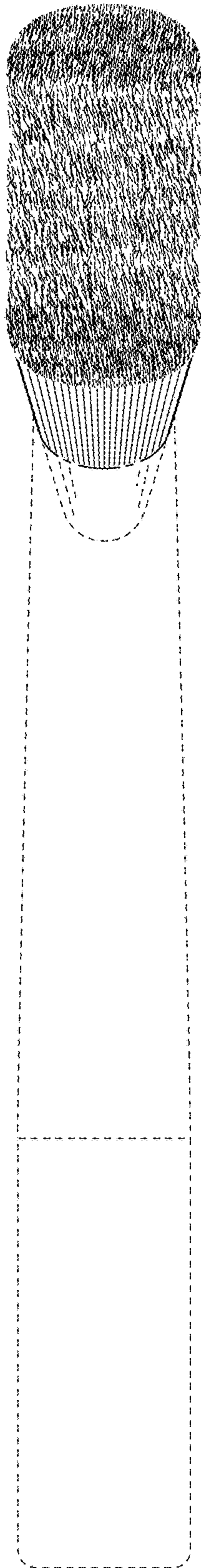


FIG. 9

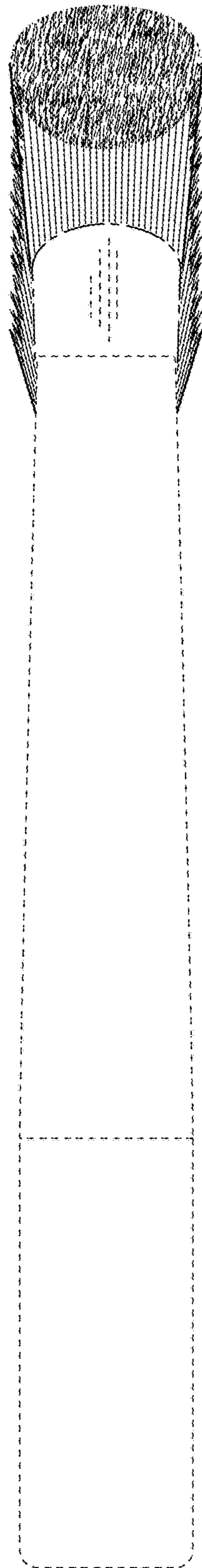


FIG. 10

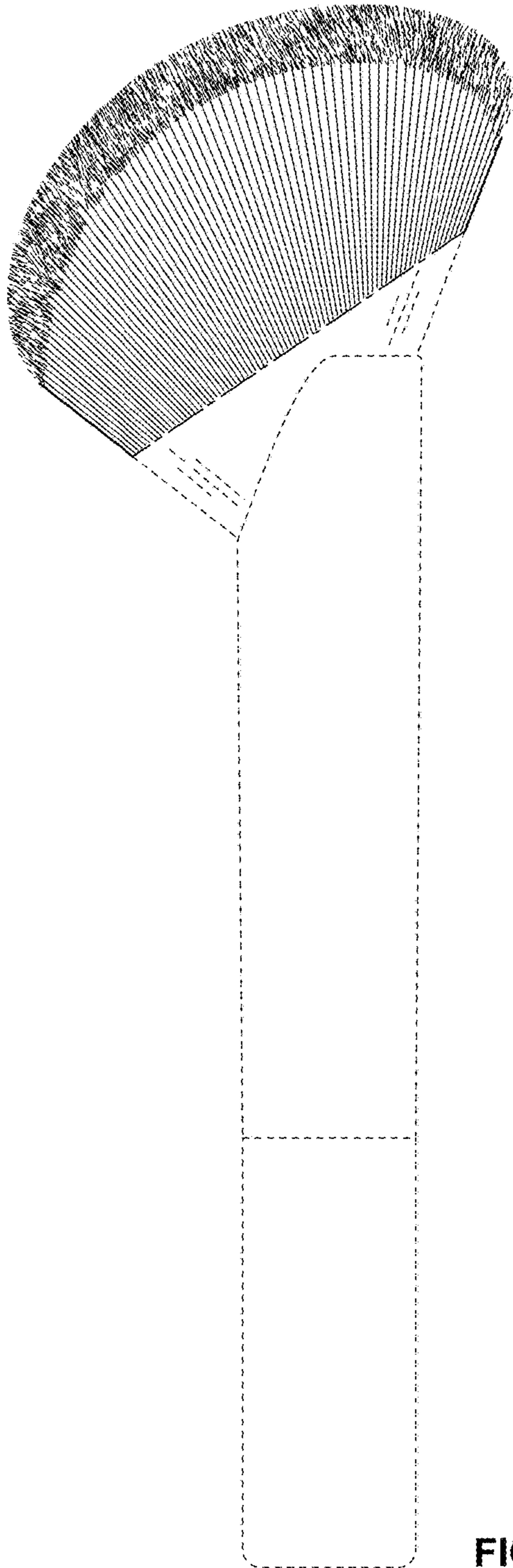


FIG. 11

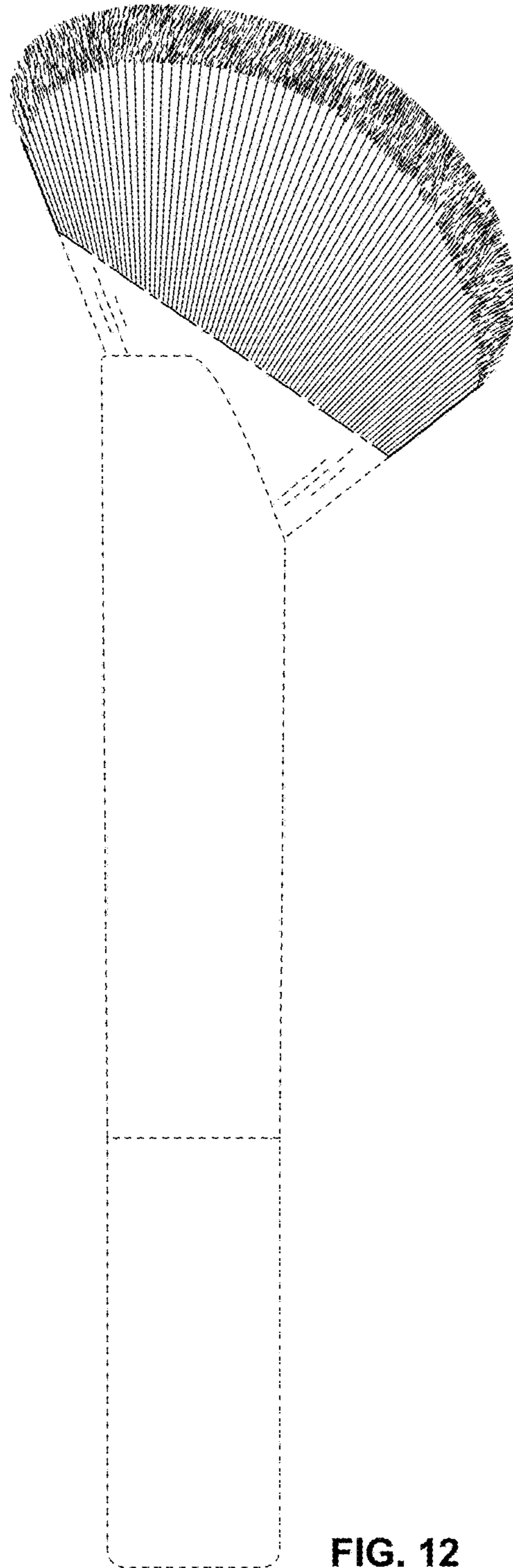


FIG. 12



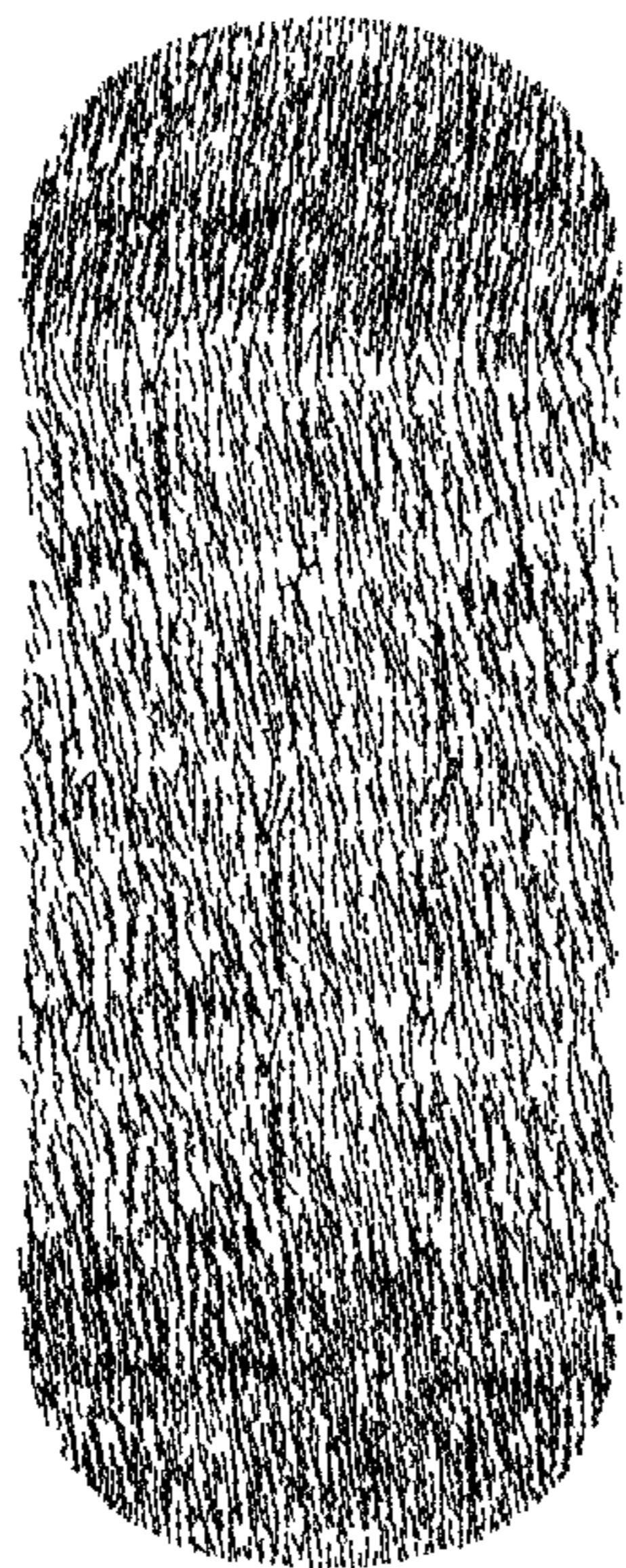


FIG. 13

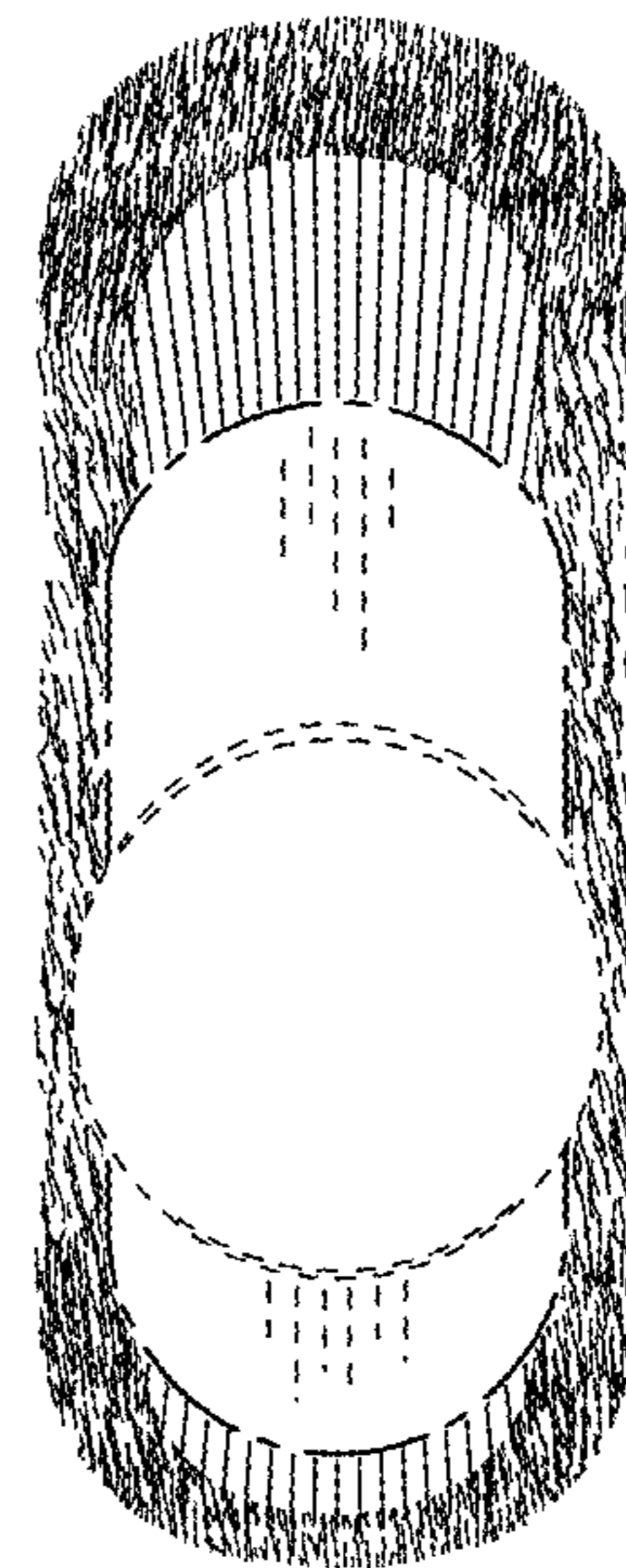


FIG. 14