



US00D831969S

(12) **United States Design Patent**
Lin

(10) **Patent No.:** **US D831,969 S**

(45) **Date of Patent:** **** Oct. 30, 2018**

(54) **DIAMOND RING-SHAPED FOUNDATION BRUSH**

(71) Applicant: **BEAUTY YAURIENT COSMETICS ACCESSORIES(SHENZHEN) CO., LTD.**, Shenzhen (CN)

(72) Inventor: **Yuju Lin**, Shenzhen (CN)

(**) Term: **15 Years**

(21) Appl. No.: **29/631,633**

(22) Filed: **Dec. 31, 2017**

(51) **LOC (11) Cl.** **04-02**

(52) **U.S. Cl.**
USPC **D4/124**; D4/103; D11/26

(58) **Field of Classification Search**
USPC D4/130, 132, 133, 134, 135, 138, 199,
D4/124, 103; D28/7; D11/26, 35
CPC A46B 5/02; A46B 7/00; A46B 7/04; A46B
9/02; A46B 9/021; A46B 2200/1046;
A46B 15/0087; A46B 15/0089
See application file for complete search history.

(56) **References Cited**

U.S. PATENT DOCUMENTS

D179,543 S *	1/1957	Mayer	D4/134
D242,646 S *	12/1976	Shorin	D11/2
D251,159 S *	2/1979	Tolliver	D4/114
D266,312 S *	9/1982	Lin	D10/31
D269,481 S *	6/1983	Souza	D4/114
D288,502 S *	3/1987	Barkley	401/190
5,664,440 A *	9/1997	Roemer	A44C 17/002 63/15
D438,486 S *	3/2001	Ghemati	D11/26
D464,900 S *	10/2002	Repossi	D11/26

D477,227 S *	7/2003	Goswell	D9/529
D601,804 S *	10/2009	Hwang	D4/103
D631,666 S *	2/2011	Lim	D4/129
D662,850 S *	7/2012	Daniel	D11/26
D733,563 S *	7/2015	Oberlender	D9/519
9,725,828 B2 *	8/2017	Lim	D01F 1/10

FOREIGN PATENT DOCUMENTS

CN	301396562	*	12/2010
CN	301399082	*	12/2010
CN	304720006	*	7/2018
JP	D1359840	*	5/2009

* cited by examiner

Primary Examiner — Karen E Eldridge Powers

(74) *Attorney, Agent, or Firm* — Wayne & Ken, LLC;
Tony Hom

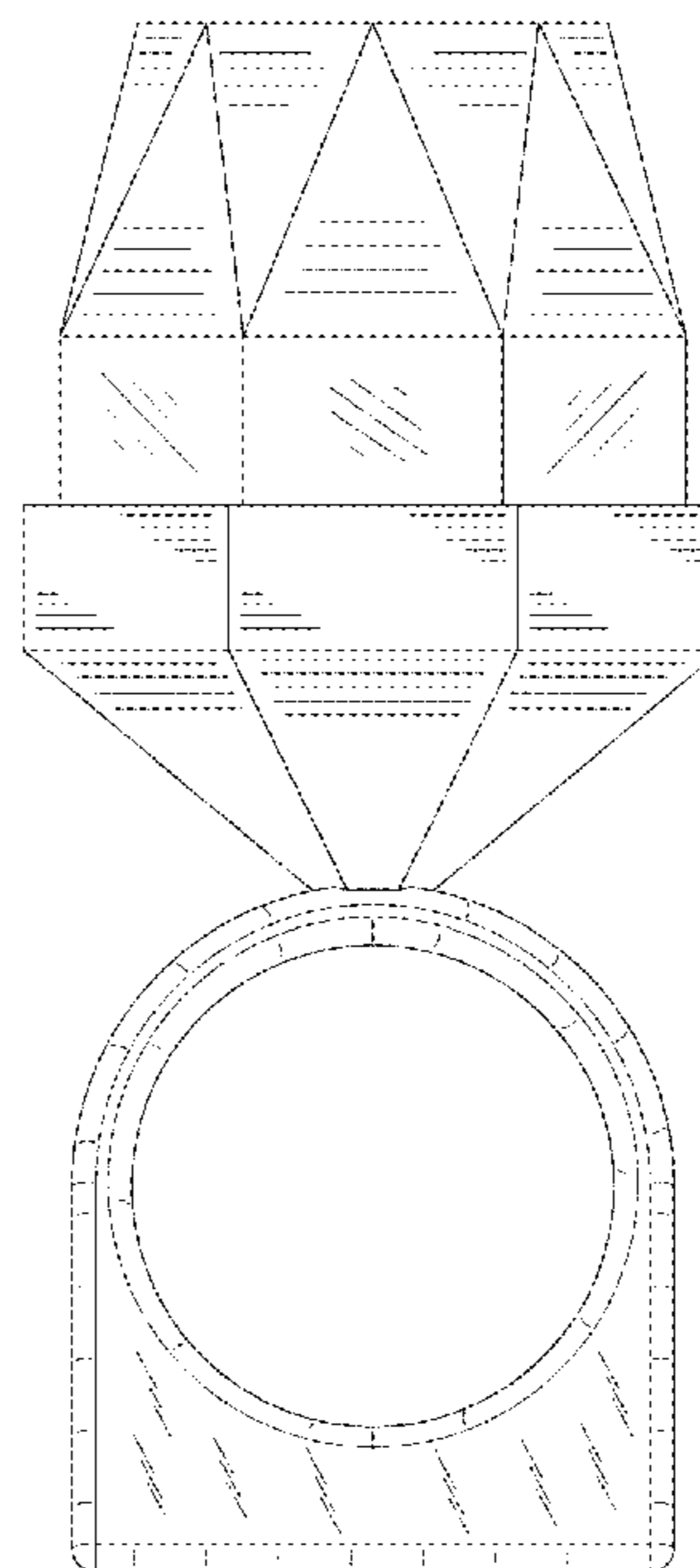
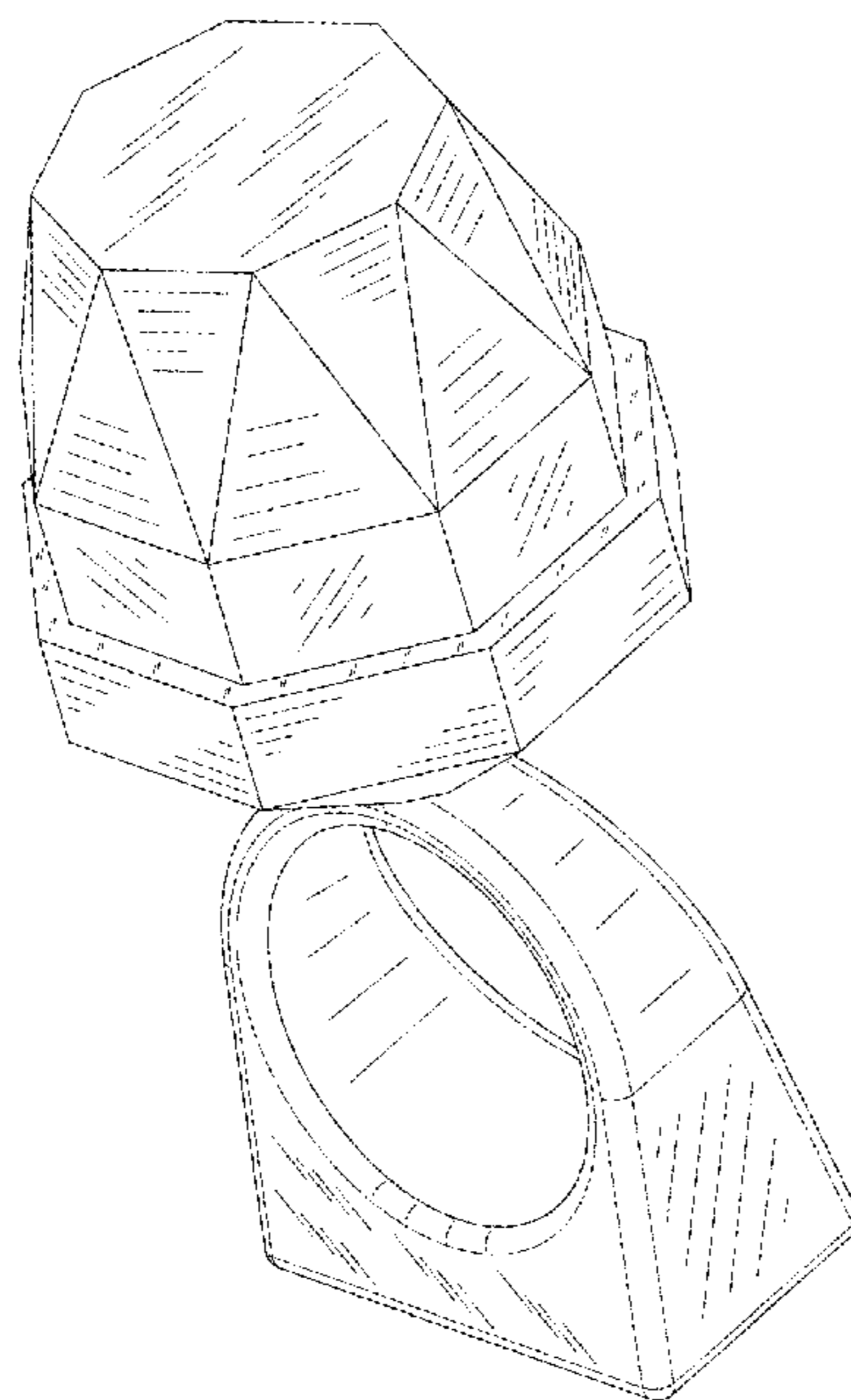
(57) **CLAIM**

I claim the ornamental design for a diamond ring-shaped foundation brush, as shown and described.

DESCRIPTION

FIG. 1 is a perspective view of a diamond ring-shaped foundation brush showing my new design;
FIG. 2 is a front elevation view thereof;
FIG. 3 is a back elevation view thereof;
FIG. 4 is a left side elevation view thereof;
FIG. 5 is a right side elevation view thereof;
FIG. 6 is a top plan view thereof; and,
FIG. 7 is a bottom plan view thereof.

1 Claim, 7 Drawing Sheets



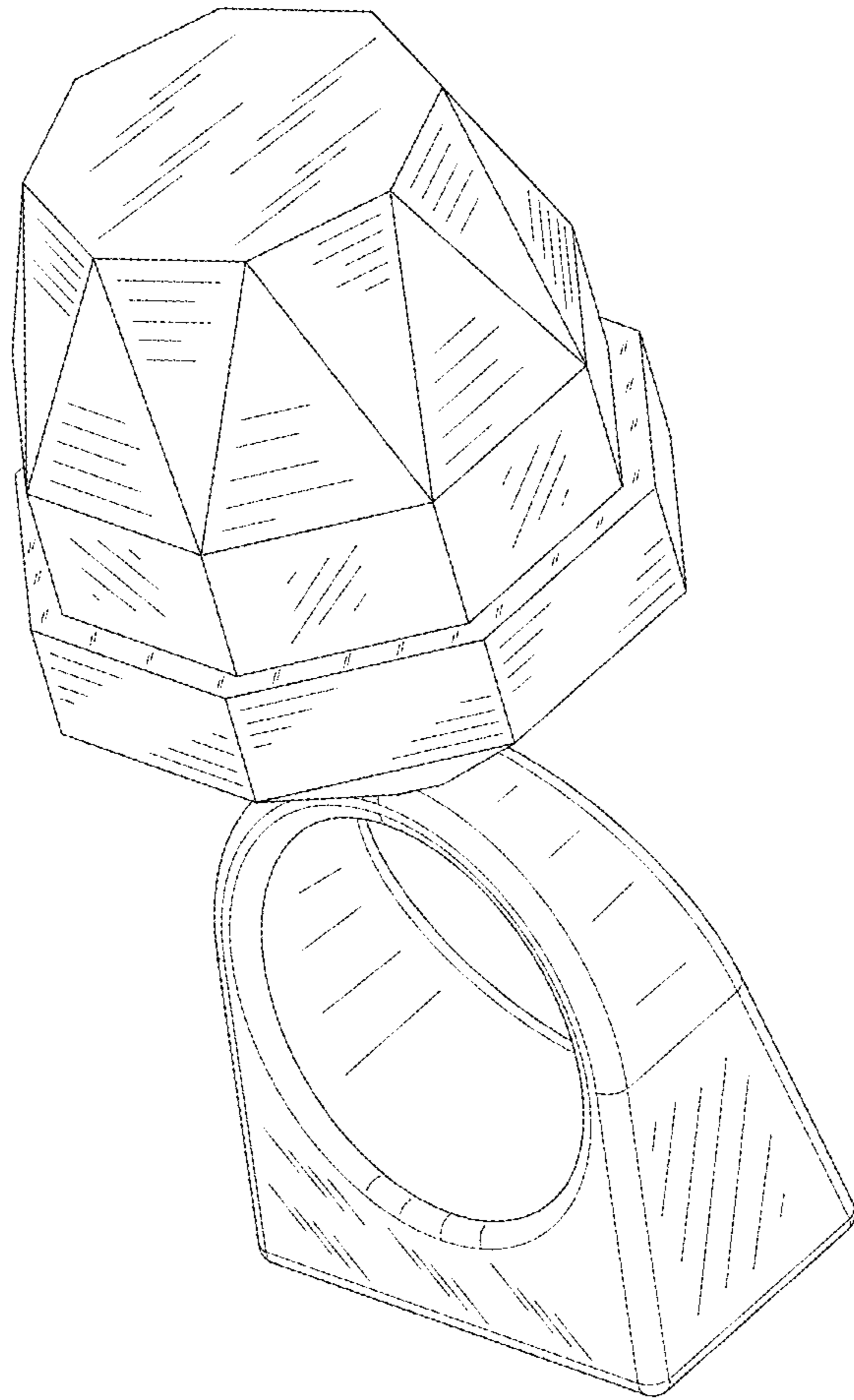


FIG .1

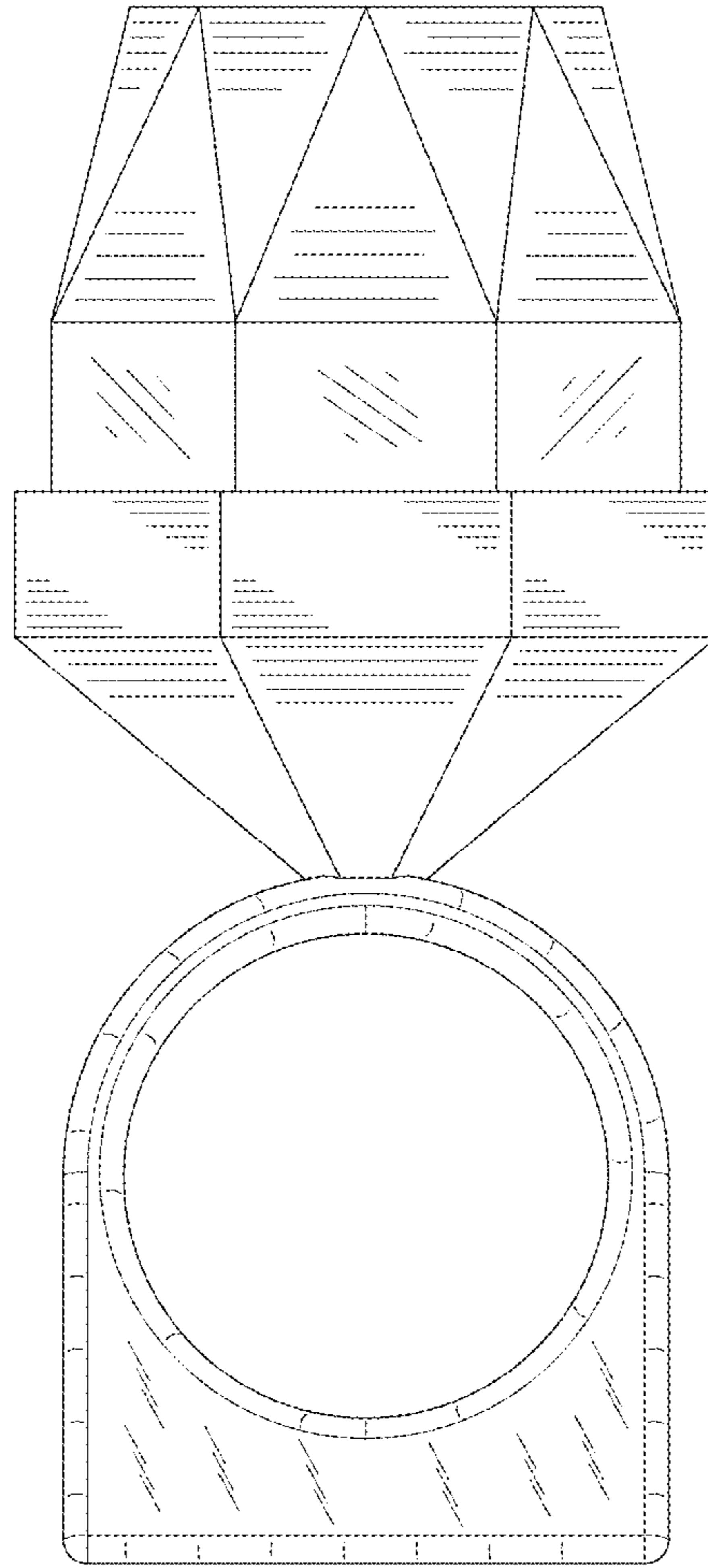


FIG .2

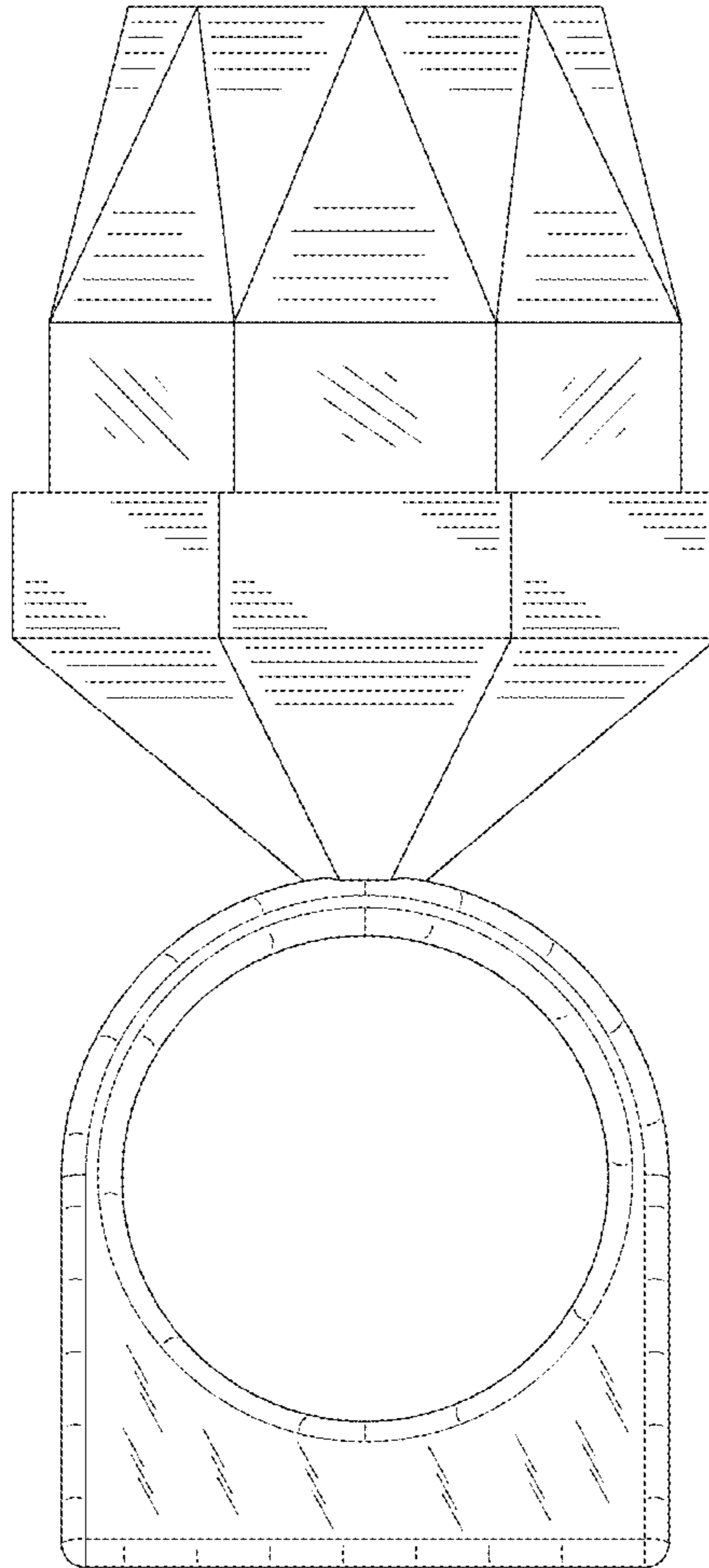


FIG .3

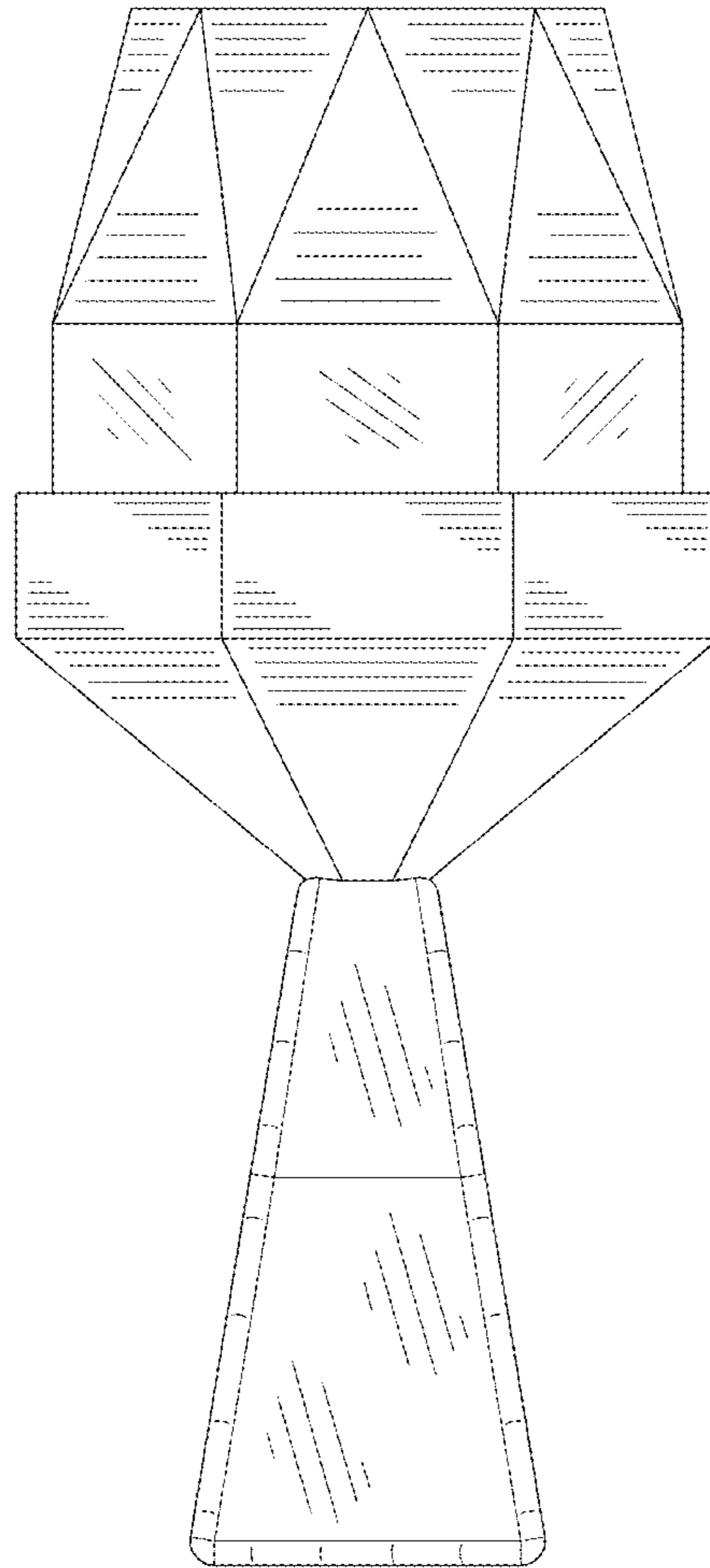


FIG .4

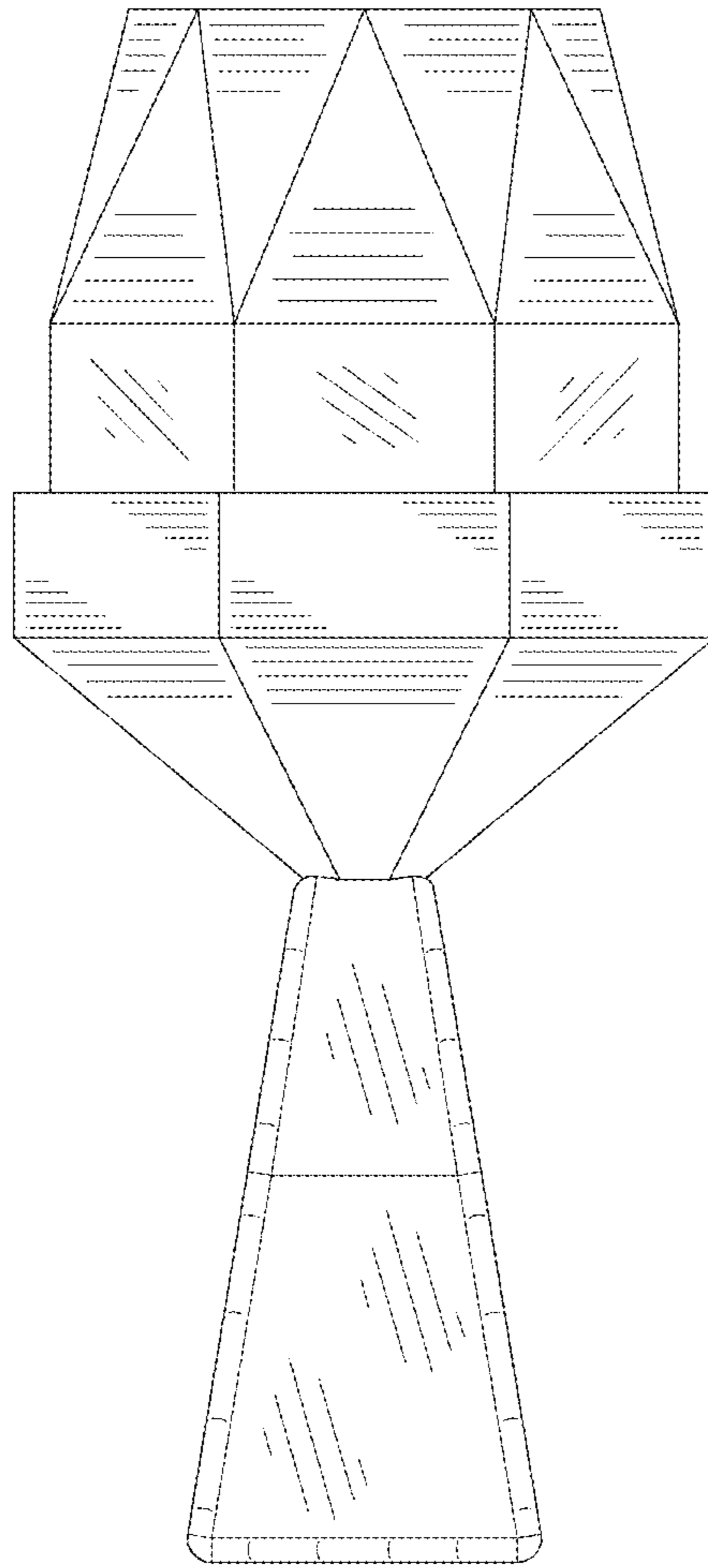


FIG .5

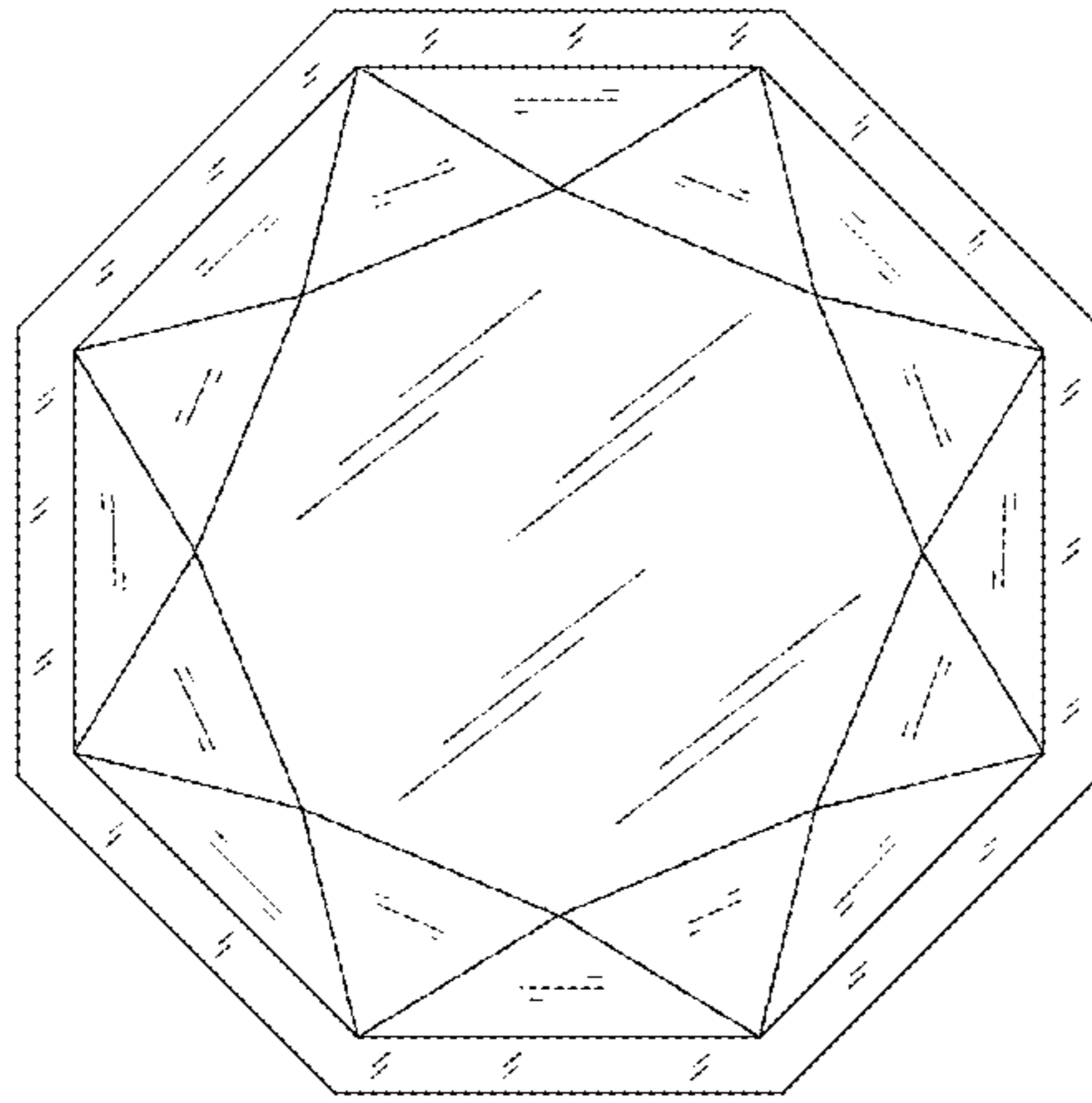


FIG .6

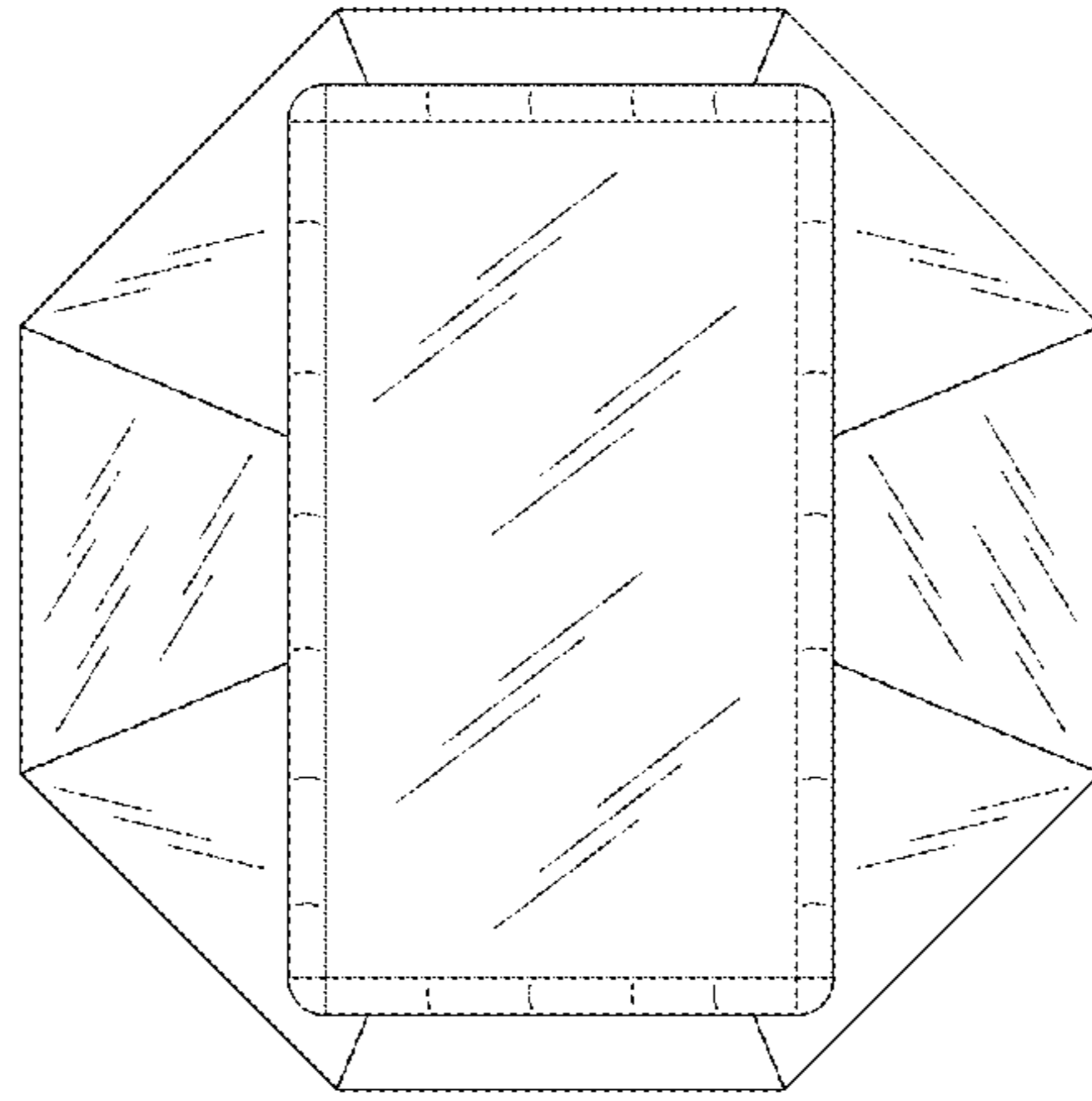


FIG .7