



US00D831968S

(12) **United States Design Patent**
Lin

(10) **Patent No.:** **US D831,968 S**

(45) **Date of Patent:** **** Oct. 30, 2018**

(54) **KABUKI BRUSH WITH CAMELLIA-SHAPED BRUSH HEAD**

(71) Applicant: **BEAUTY YAURIENT COSMETICS ACCESSORIES (SHENZHEN) CO., LTD.**, Shenzhen (CN)

(72) Inventor: **Yuju Lin**, Shenzhen (CN)

(**) Term: **15 Years**

(21) Appl. No.: **29/631,631**

(22) Filed: **Dec. 31, 2017**

(51) **LOC (11) Cl.** **04-02**

(52) **U.S. Cl.**
USPC **D4/124; D4/137**

(58) **Field of Classification Search**
USPC D4/130, 132, 133, 134, 135, 138, 199, D4/124; D28/7; D9/451, 661
CPC A46B 5/02; A46B 7/00; A46B 7/04; A46B 9/02; A46B 9/021; A46B 2200/1046
See application file for complete search history.

(56) **References Cited**

U.S. PATENT DOCUMENTS

D20,175 S *	9/1890	Strang	D4/124
D25,167 S *	2/1896	Strang	D7/682
D110,790 S *	8/1938	Ansell	D9/544
D124,019 S *	12/1940	Derham	D9/451
D138,896 S *	9/1944	Edmonds	15/143.1
D141,003 S *	4/1945	Derham	D9/451
D142,547 S *	10/1945	Derham	D9/451
D147,097 S *	7/1947	Witte	D4/124
D150,635 S *	8/1948	Landsman	D28/7
D176,920 S *	2/1956	Hutcheson	D4/124
D197,173 S *	12/1963	Zimmerman	D4/124
D198,432 S *	6/1964	Vallis	D4/124
3,333,289 A *	8/1967	Maughan	A46B 9/02 15/160

D284,014 S *	5/1986	Iwasaki	D18/15
6,434,777 B1 *	8/2002	Sutton	A46B 7/04 15/114
D516,743 S *	3/2006	Jackel-Marken	D28/4
D521,738 S *	5/2006	Huller	D4/124
D533,355 S *	12/2006	Rusk	D4/132
8,448,284 B2 *	5/2013	Gross	A46B 5/02 15/143.1
D695,019 S *	12/2013	Zemel	D4/138
D753,404 S *	4/2016	Zemel	D4/138
D758,185 S *	6/2016	Fournier	D9/434
D798,603 S *	10/2017	Hwang	D4/127
2003/0019063 A1 *	1/2003	Abraham	A46B 5/002 15/167.1

FOREIGN PATENT DOCUMENTS

CN	302471534	*	6/2013
CN	302712317	*	1/2014
CN	302933206	*	9/2014
CN	304213555	*	7/2017

(Continued)

Primary Examiner — Karen E Eldridge Powers
(74) *Attorney, Agent, or Firm* — Wayne & Ken, LLC;
Tony Hom

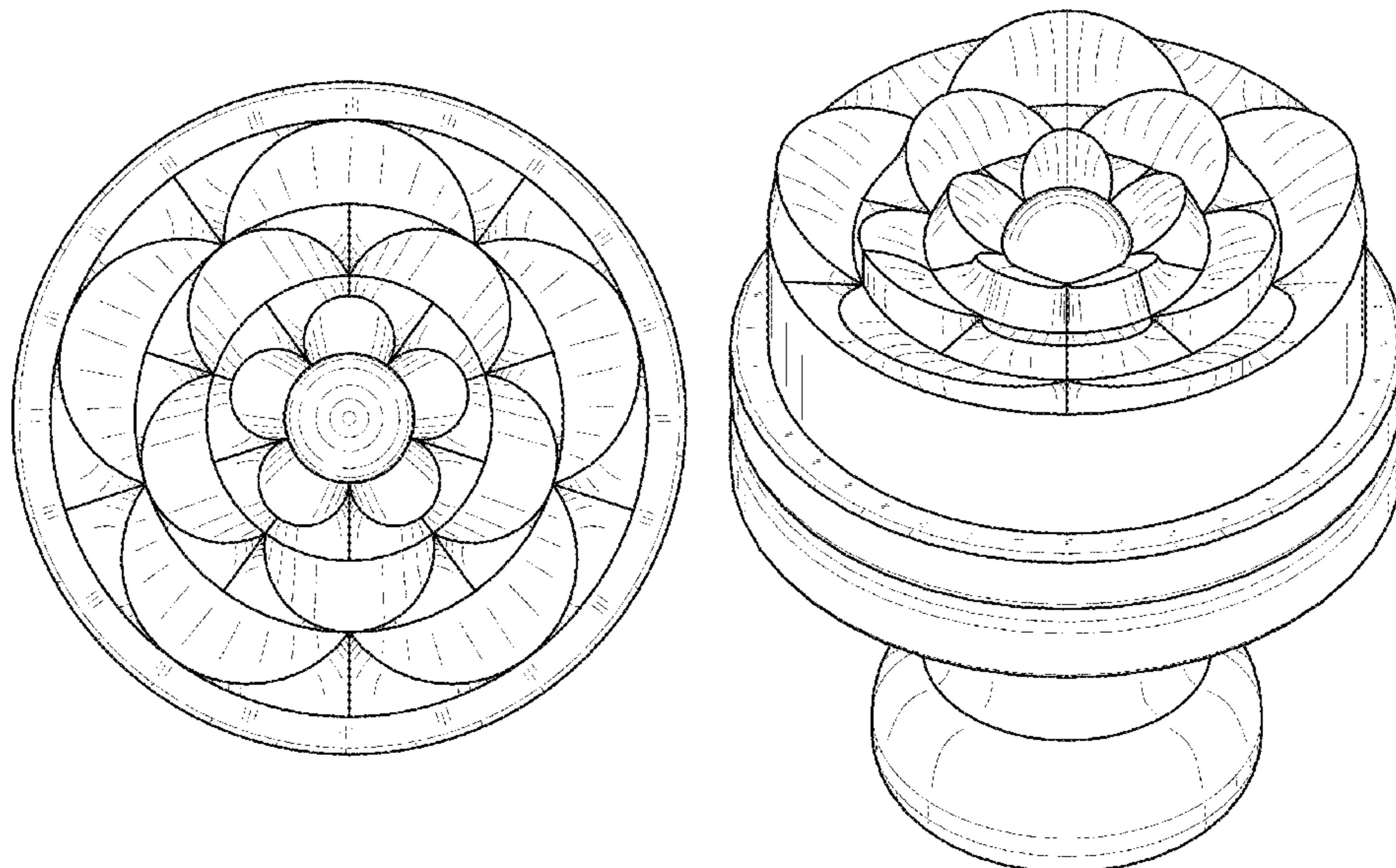
(57) **CLAIM**

I claim the ornamental design for a kabuki brush with camellia-shaped brush head, as shown and described.

DESCRIPTION

FIG. 1 is a front elevation view of a kabuki brush with camellia-shaped brush head, showing my new design; FIG. 2 is a back elevation view thereof; FIG. 3 is a left side elevation view thereof; FIG. 4 is a right side elevation view thereof; FIG. 5 is a top plan view thereof; FIG. 6 is a bottom plan view thereof; and, FIG. 7 is a perspective view thereof.

1 Claim, 7 Drawing Sheets



(56)

References Cited

FOREIGN PATENT DOCUMENTS

EM	004419612-0002	* 10/2017
JP	D1342272	* 10/2008
KR	300626014.0000	* 12/2011
KR	300707873.0000	* 9/2013
KR	300779376.0000	* 1/2015
KR	300873755.0000	* 9/2016

* cited by examiner

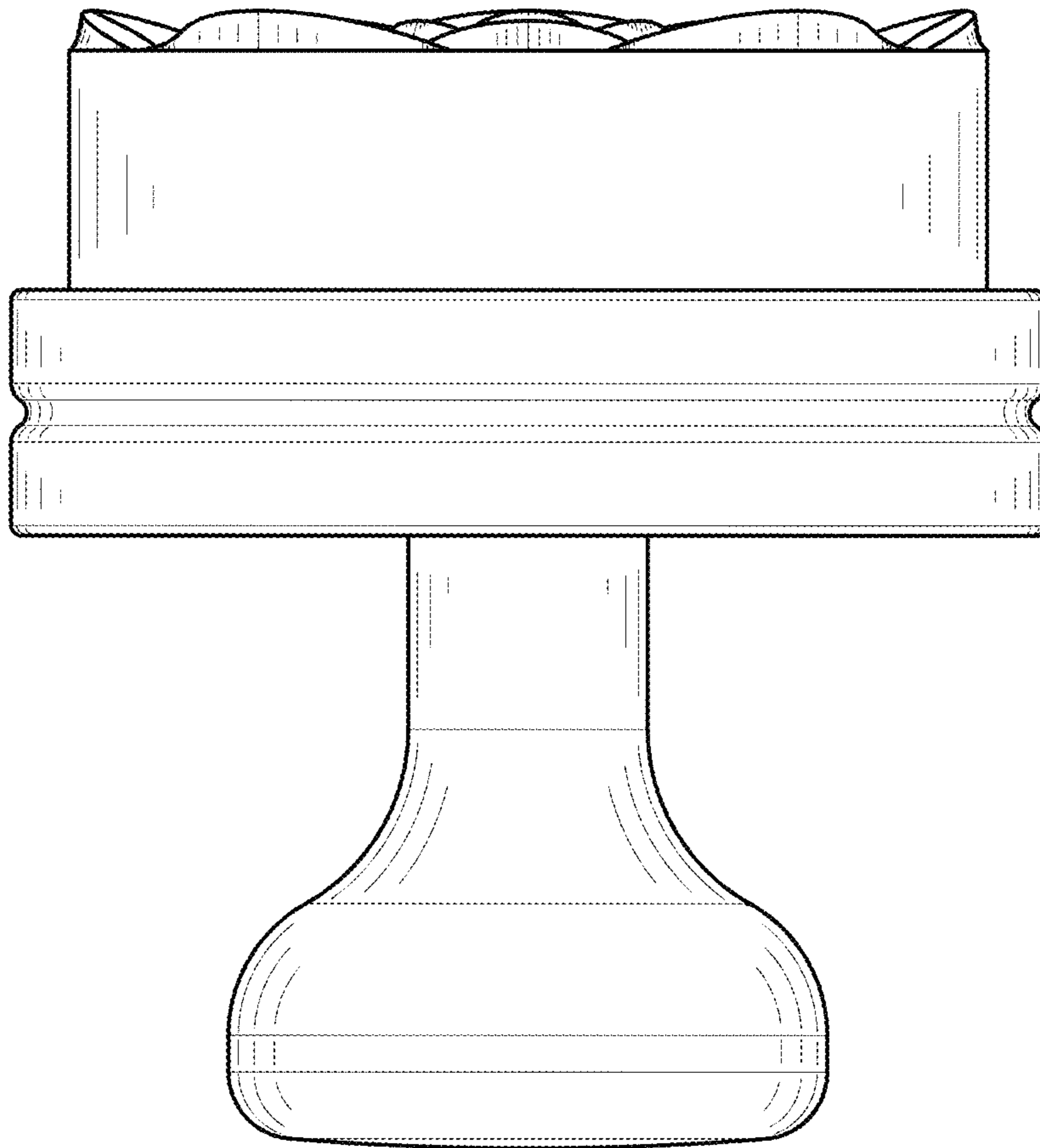


FIG .1

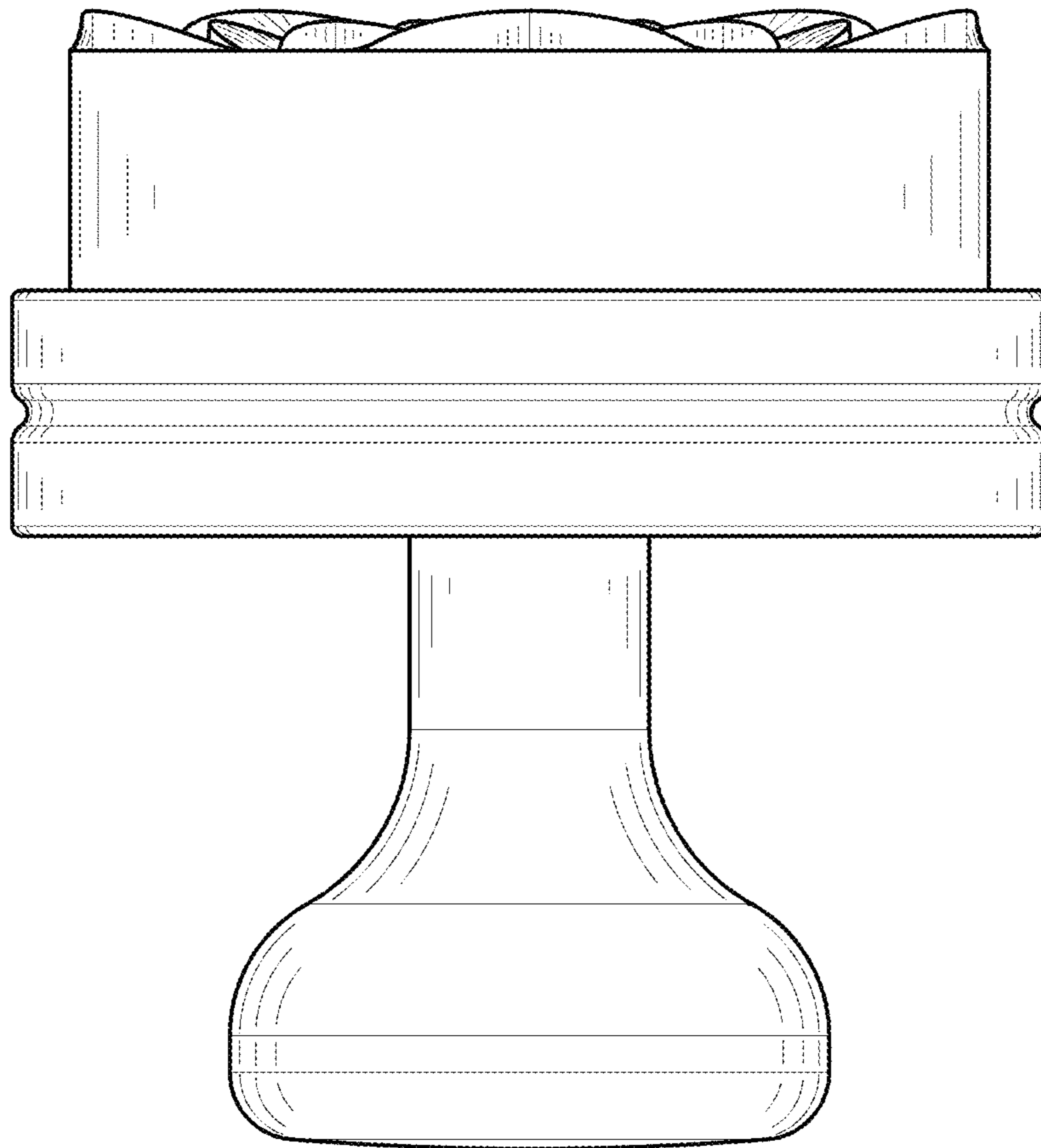


FIG .2

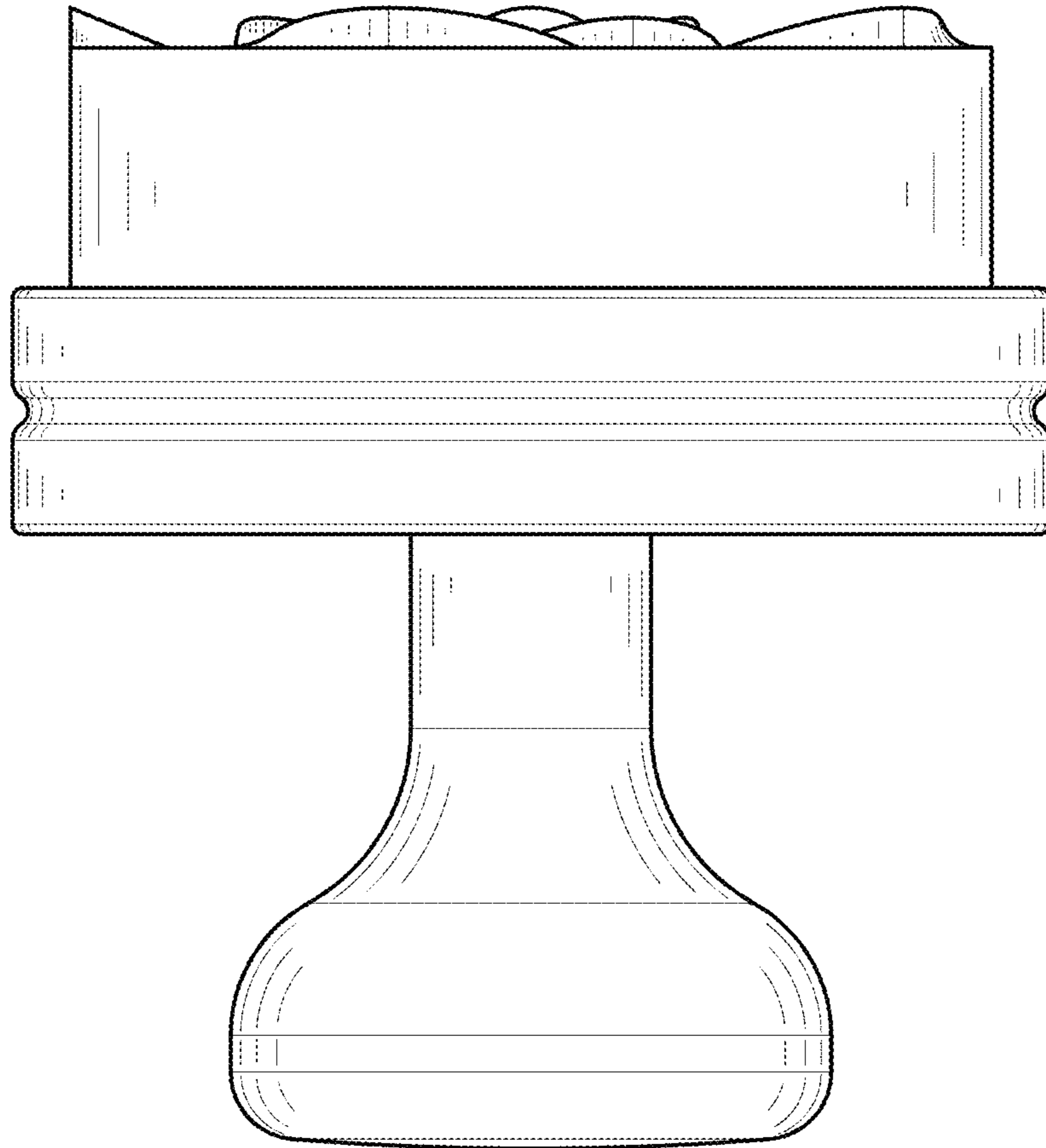


FIG .3

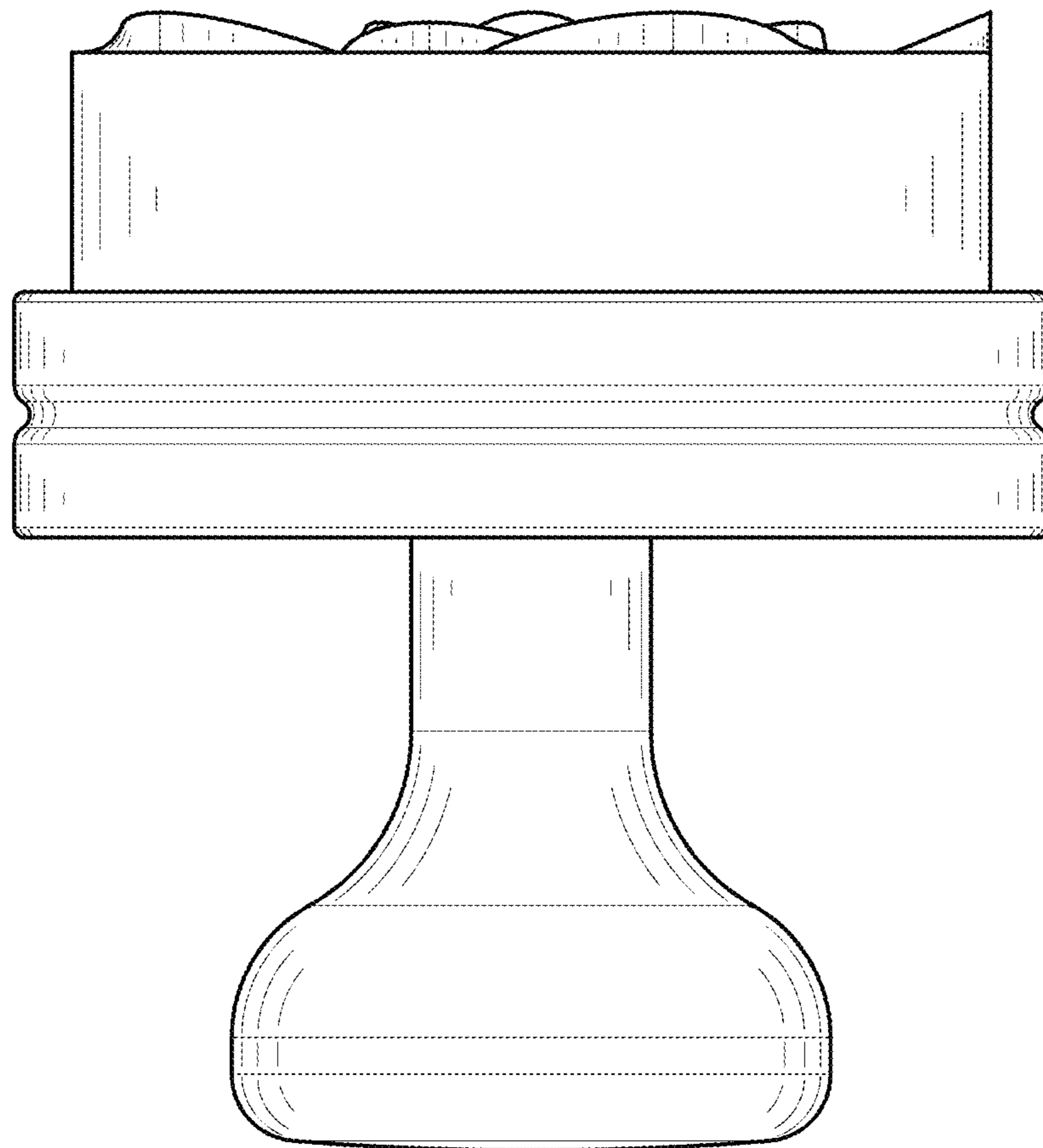


FIG .4

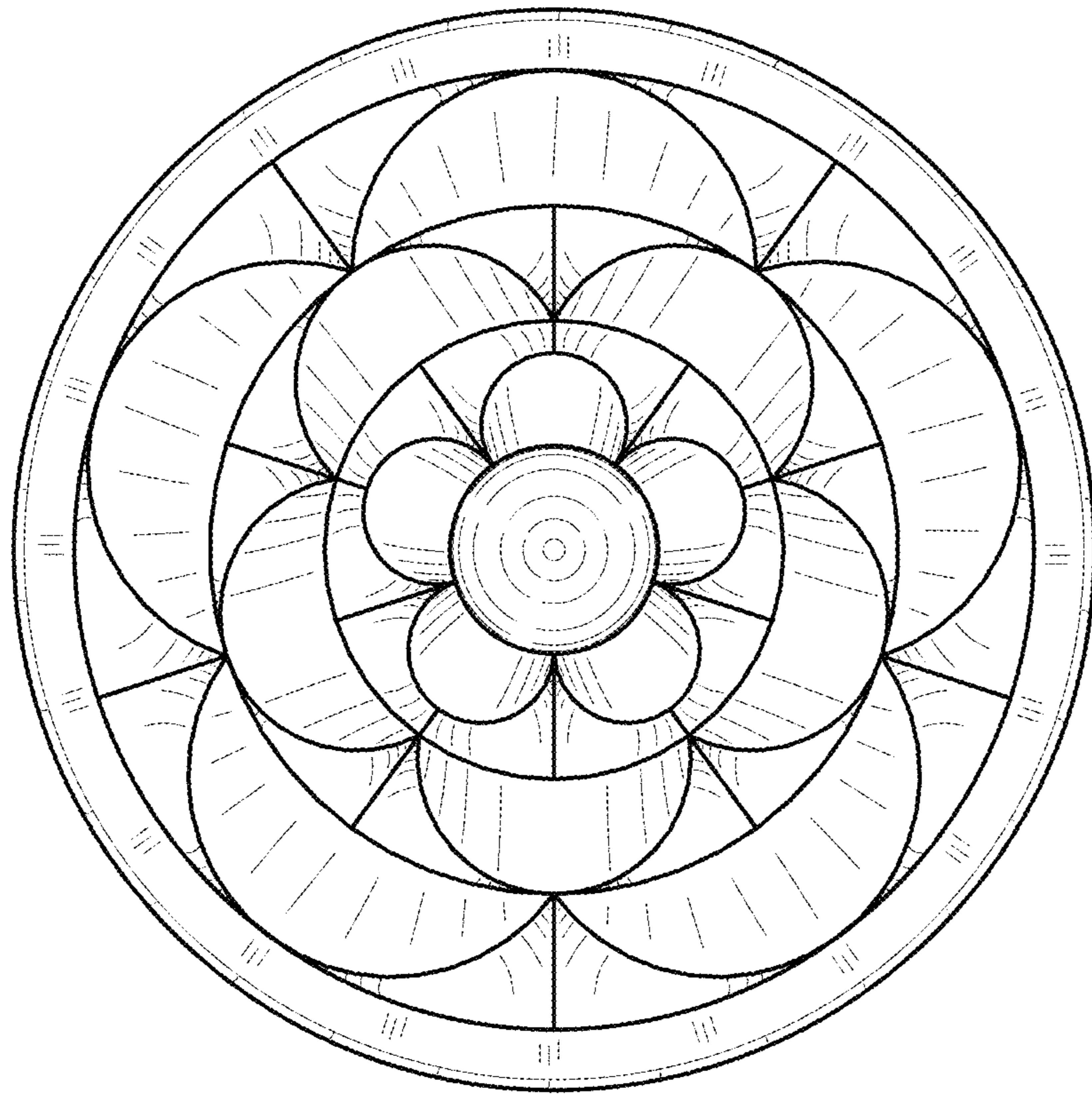


FIG .5

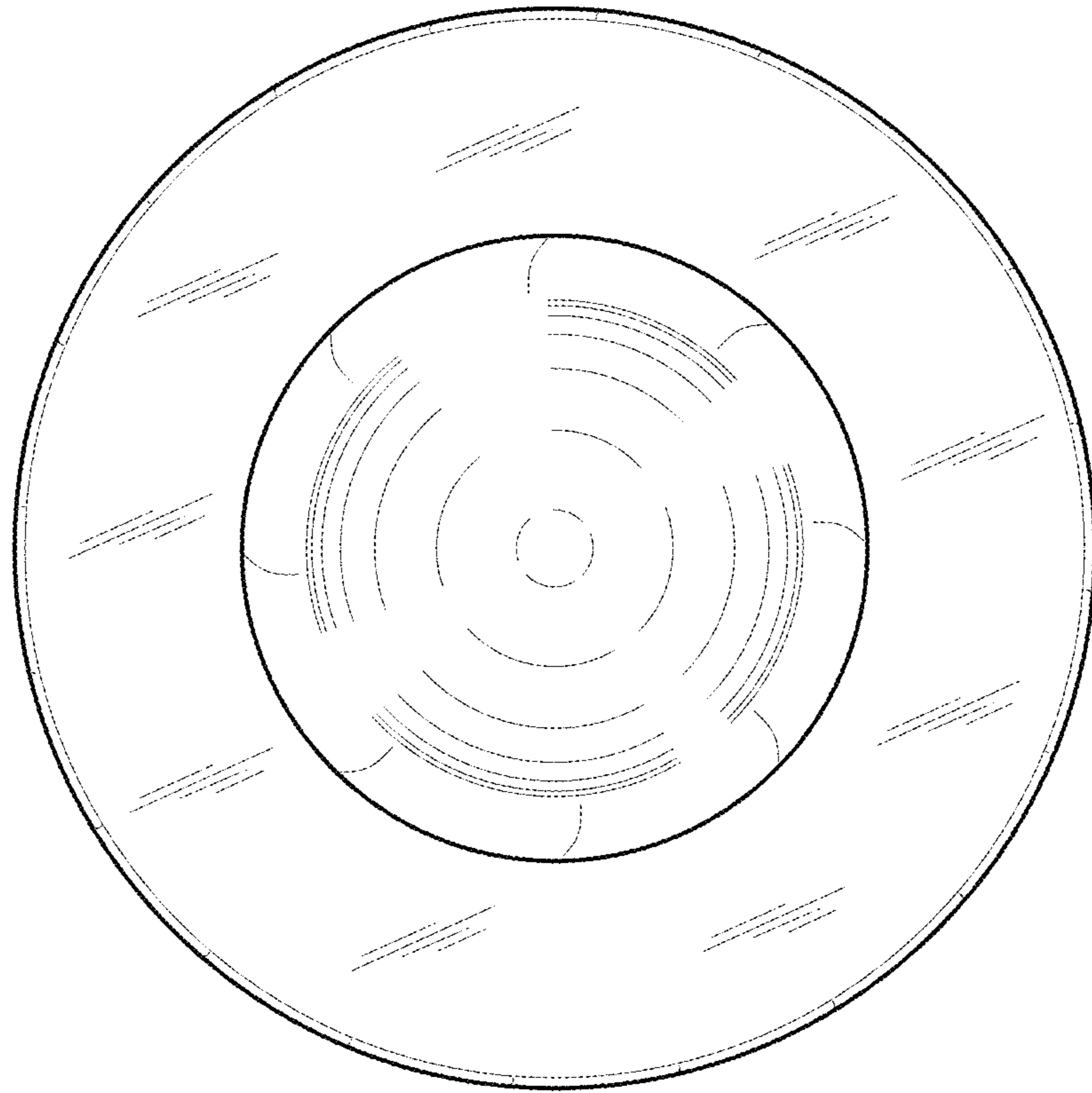


FIG .6

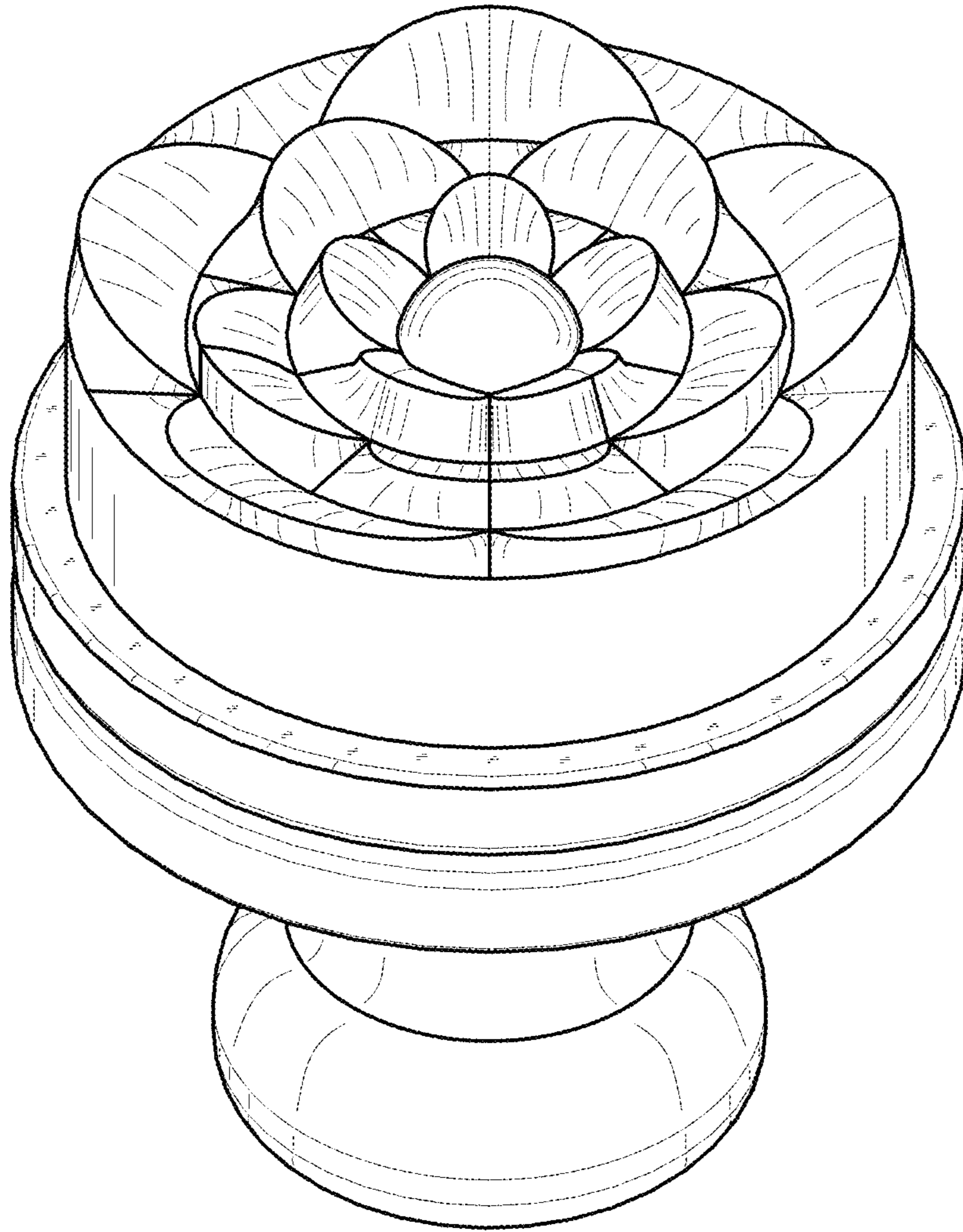


FIG .7