



US00D831963S

(12) **United States Design Patent** (10) **Patent No.:** **US D831,963 S**
Hernandez et al. (45) **Date of Patent:** **** Oct. 30, 2018**

(54) **CONTAINER**

(71) Applicant: **HOME PRODUCTS INTERNATIONAL—NORTH AMERICA, INC.**, Chicago, IL (US)

(72) Inventors: **Rolando Hernandez**, Oak Lawn, IL (US); **Gabriel Prero**, Chicago, IL (US)

(73) Assignee: **HOME PRODUCTS INTERNATIONAL—NORTH AMERICA, INC.**, Chicago, IL (US)

(**) Term: **15 Years**

(21) Appl. No.: **29/613,521**

(22) Filed: **Aug. 10, 2017**

(51) **LOC (11) Cl.** **03-01**

(52) **U.S. Cl.**
USPC **D3/312**

(58) **Field of Classification Search**
USPC D3/304, 307, 308, 309, 312, 314, 315, D3/328; D32/35, 37; D6/672, 675
CPC . B65D 1/00; B65D 1/38; B65D 11/14; B65D 11/20; D06F 95/00
See application file for complete search history.

(56) **References Cited**

U.S. PATENT DOCUMENTS

2,994,457	A	8/1961	Fornas	
3,270,913	A	9/1966	Bridenstine et al.	
5,071,008	A	12/1991	Hradisky	
D380,088	S *	6/1997	Kolada	D3/312
D398,151	S *	9/1998	Ahern, Jr.	D3/304
D401,065	S *	11/1998	Peltola	D3/304

D466,301	S *	12/2002	Sofy	D3/307
D477,145	S *	7/2003	Sofy	D3/307
7,207,460	B2	4/2007	Sander et al.	
D584,020	S *	12/2008	McNamara	D32/37
D604,921	S *	11/2009	Presnell	D3/312
7,677,408	B2	3/2010	Loucks et al.	
D728,939	S *	5/2015	Suomela	D3/304
9,174,769	B1	11/2015	Zephir et al.	
D794,959	S *	8/2017	Takagaki	D3/307
D802,925	S *	11/2017	Cassel	D3/304
D804,181	S *	12/2017	Takagaki	D3/307
2006/0208439	A1	9/2006	Depasquale et al.	

* cited by examiner

Primary Examiner — Kelley Donnelly

(74) *Attorney, Agent, or Firm* — Neal, Gerber & Eisenberg LLP

(57) **CLAIM**

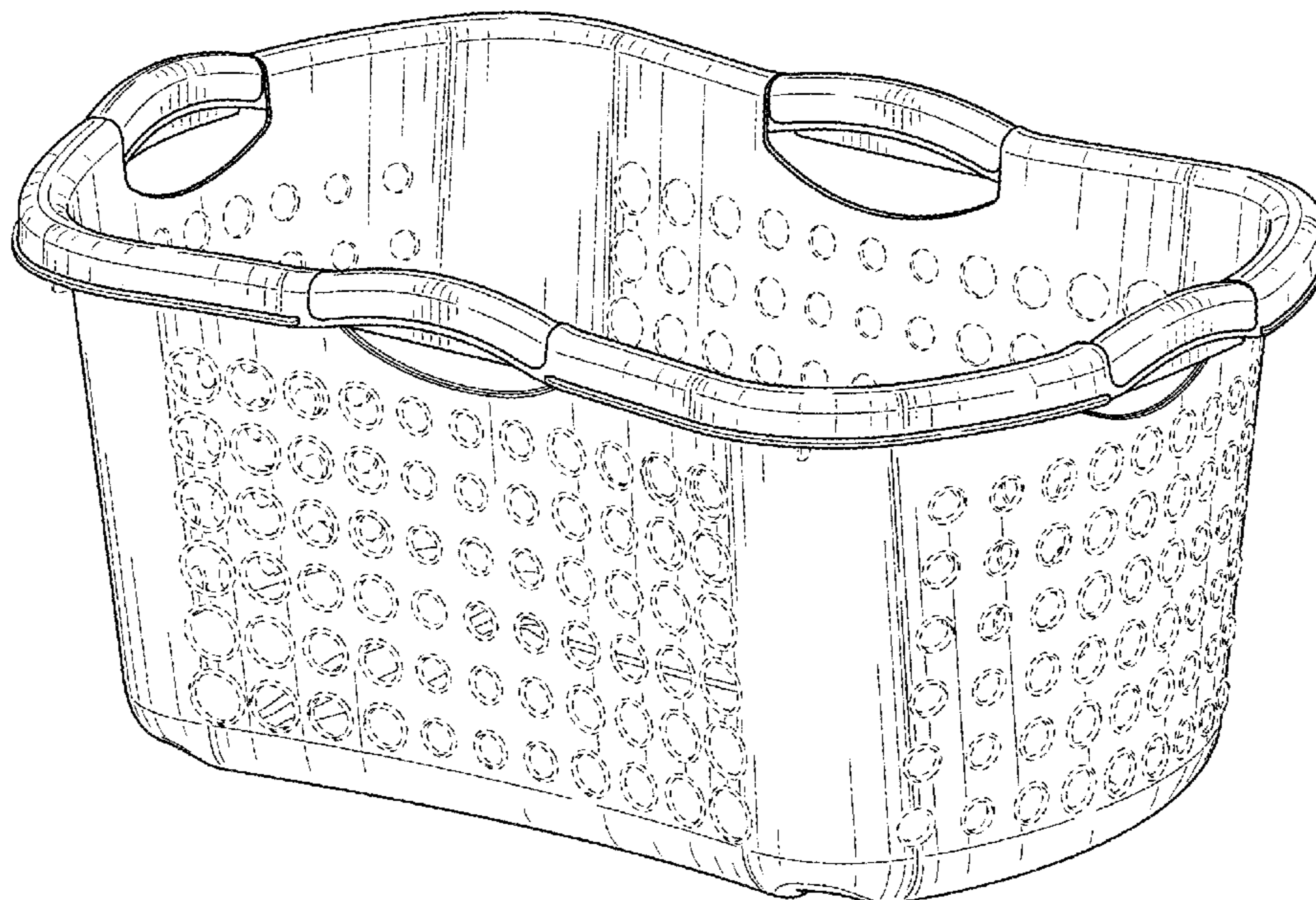
The ornamental design for a container, as shown and described.

DESCRIPTION

FIG. 1 is a front perspective view of the container of the present invention;
FIG. 2 is a top plan view thereof;
FIG. 3 is a bottom plan view thereof;
FIG. 4 is a side elevational thereof;
FIG. 5 is a front elevational view thereof;
FIG. 6 is a top perspective view thereof;
FIG. 7 is a bottom perspective view thereof; and,
FIG. 8 is a cross-sectional view of the container shown in FIG. 4.

The broken lines in the drawings illustrate the portions of the design that form no part of the claim.

1 Claim, 8 Drawing Sheets



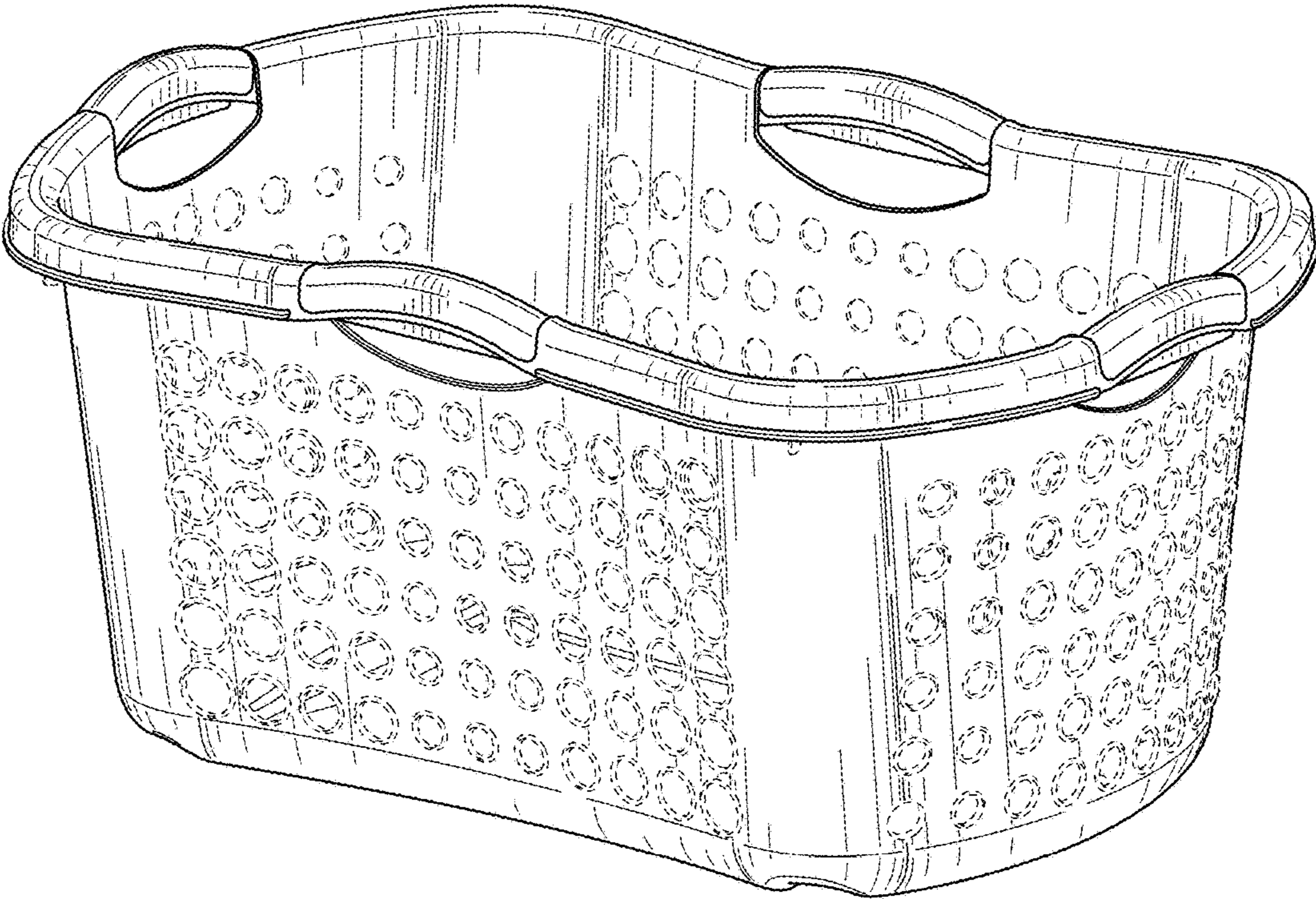


FIG. 1

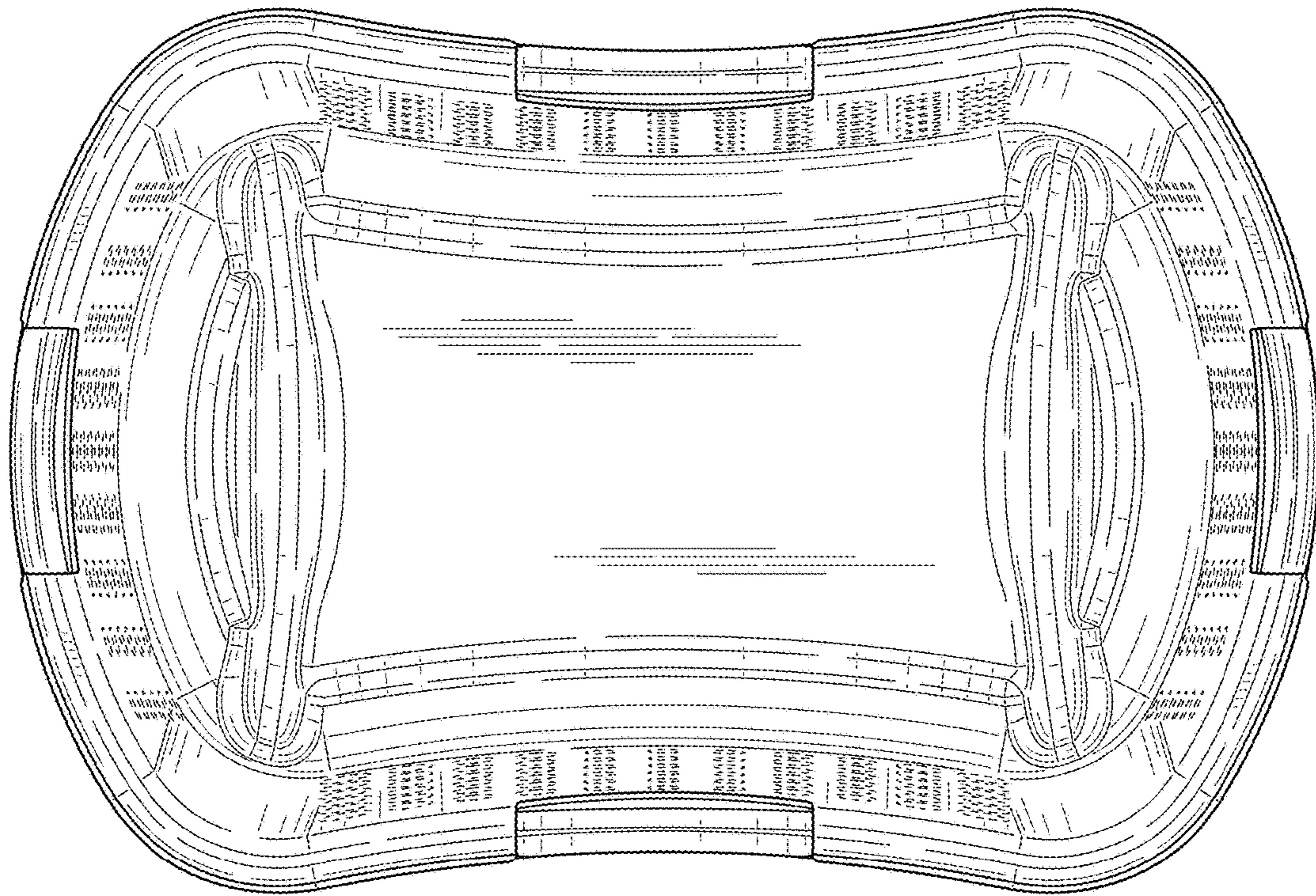


FIG. 2

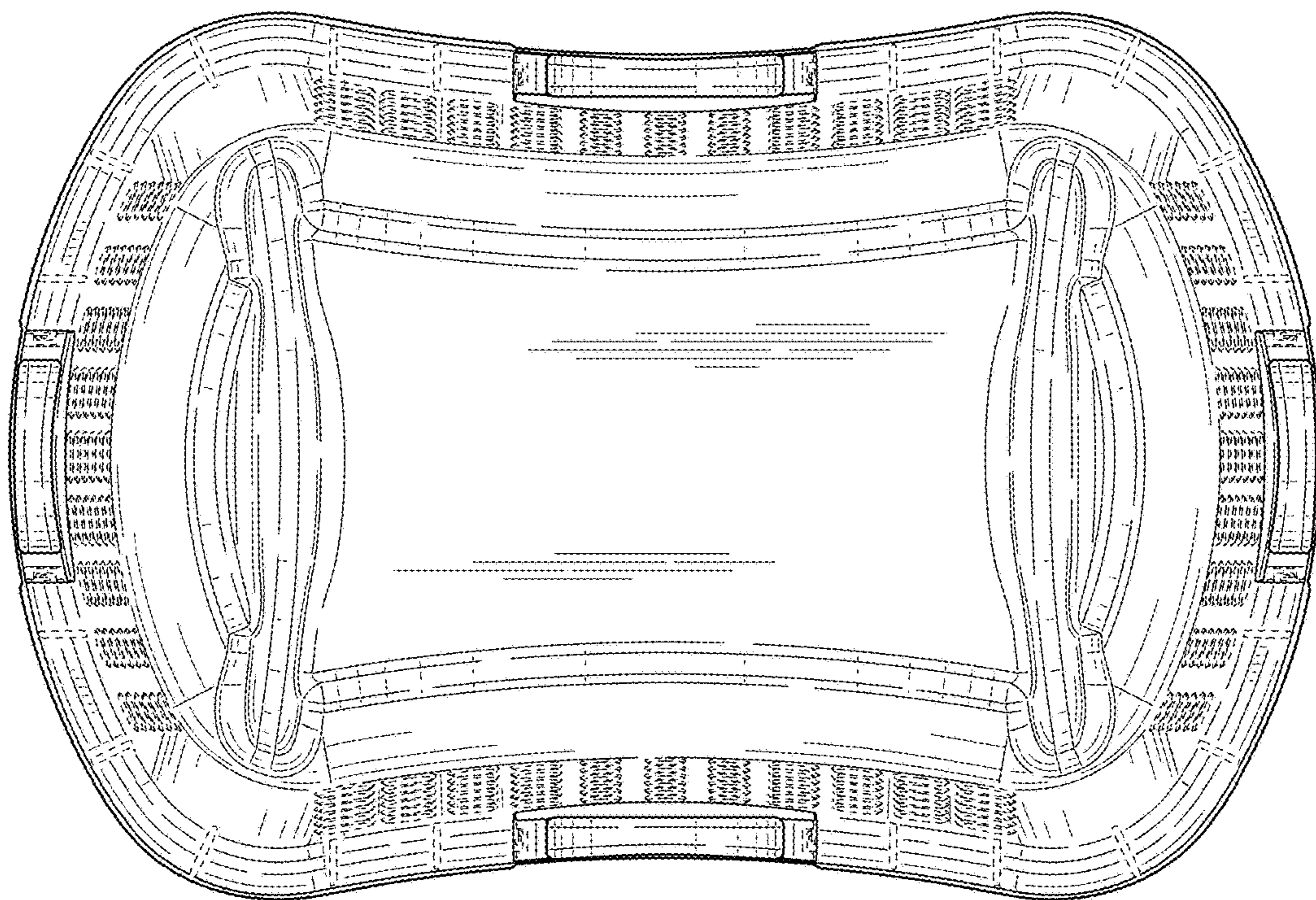


FIG. 3

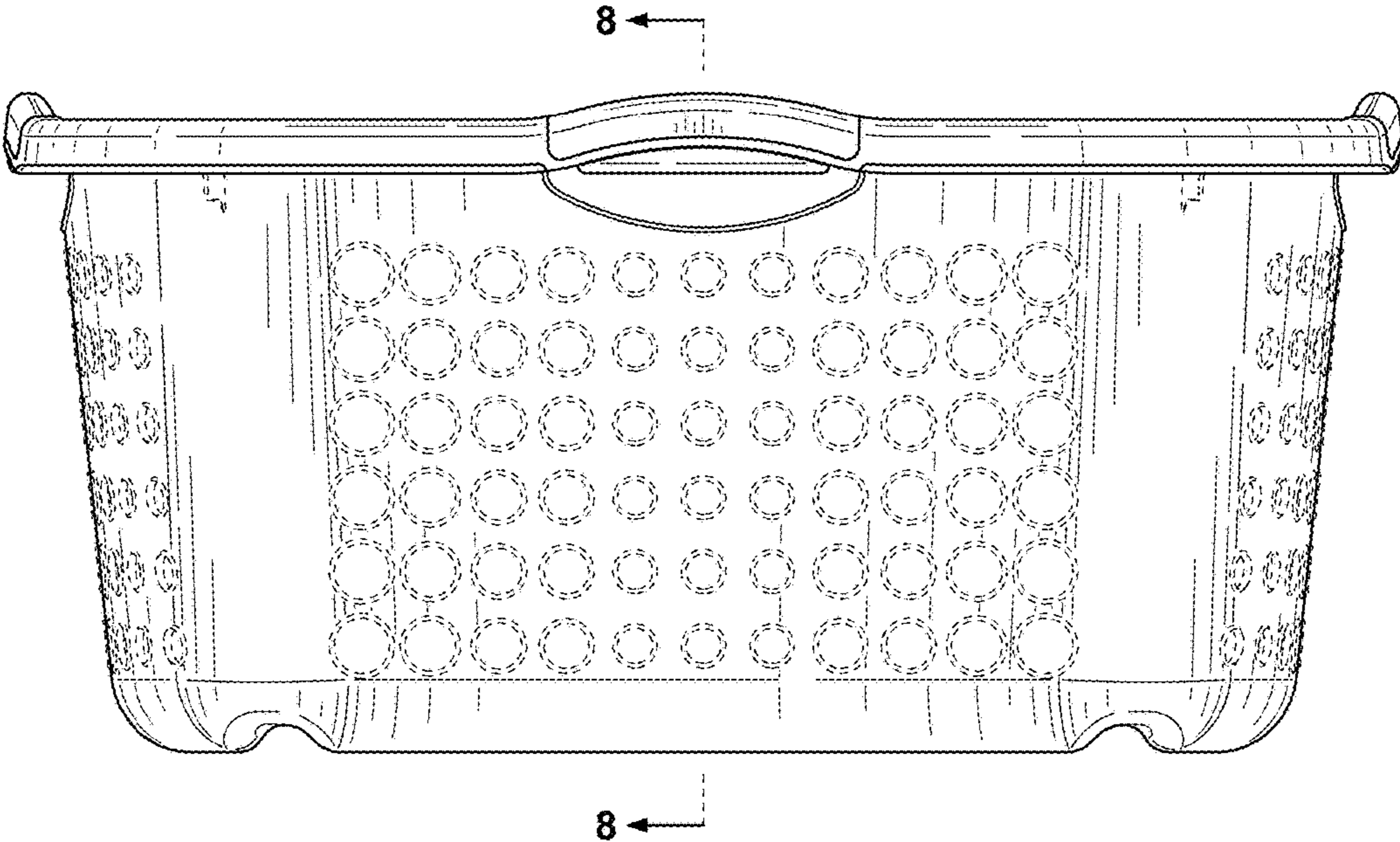


FIG. 4

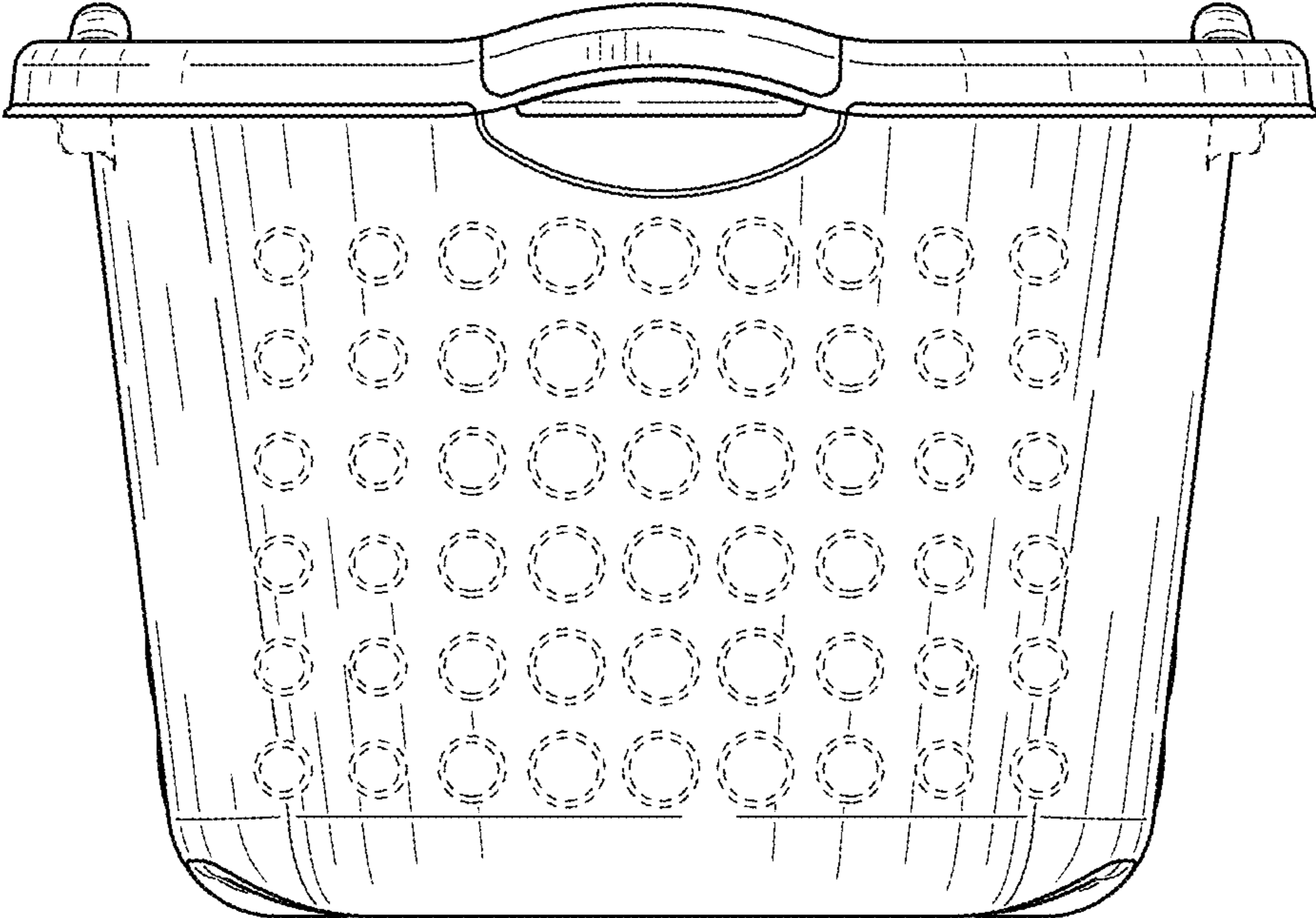


FIG. 5

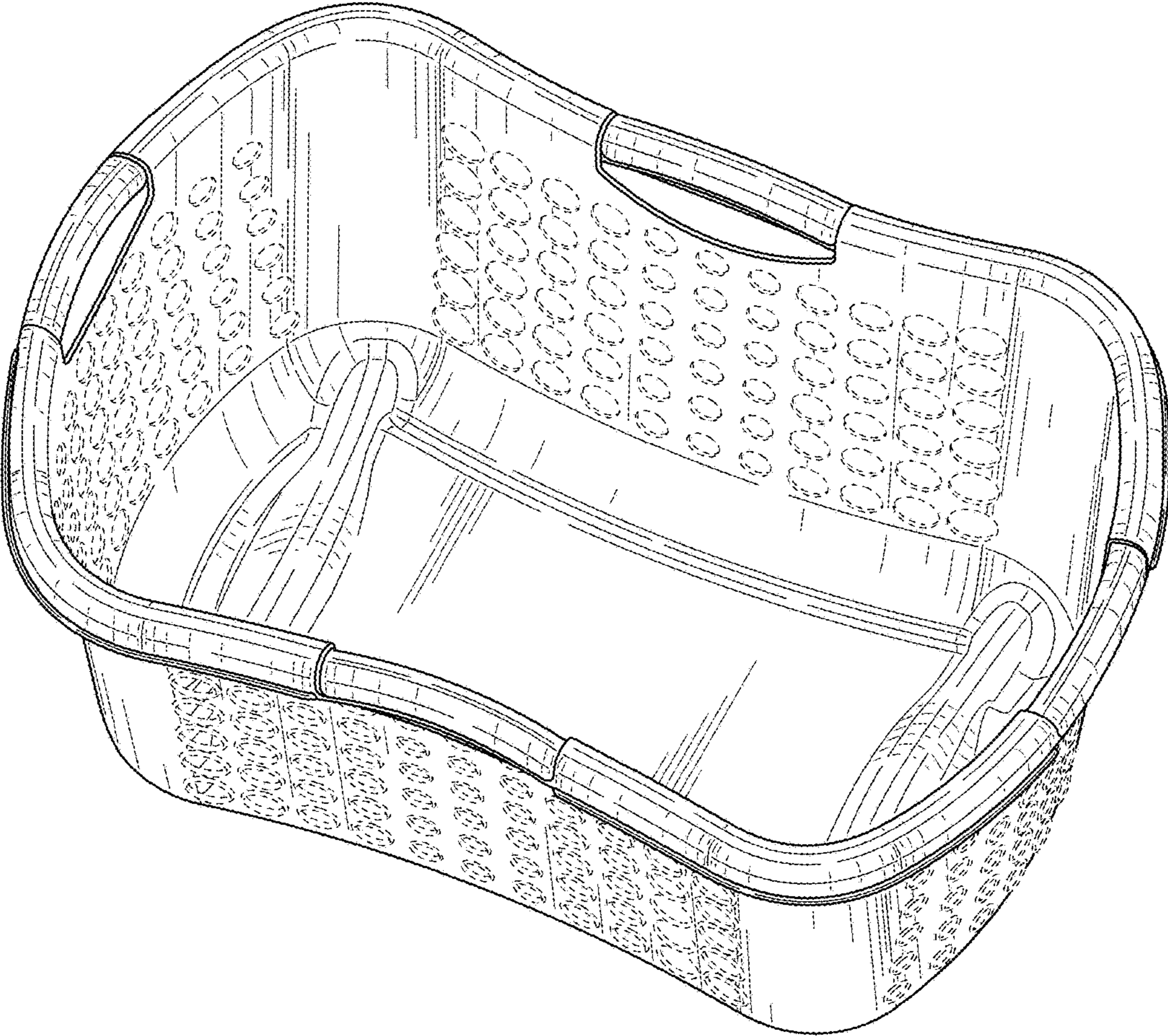


FIG. 6

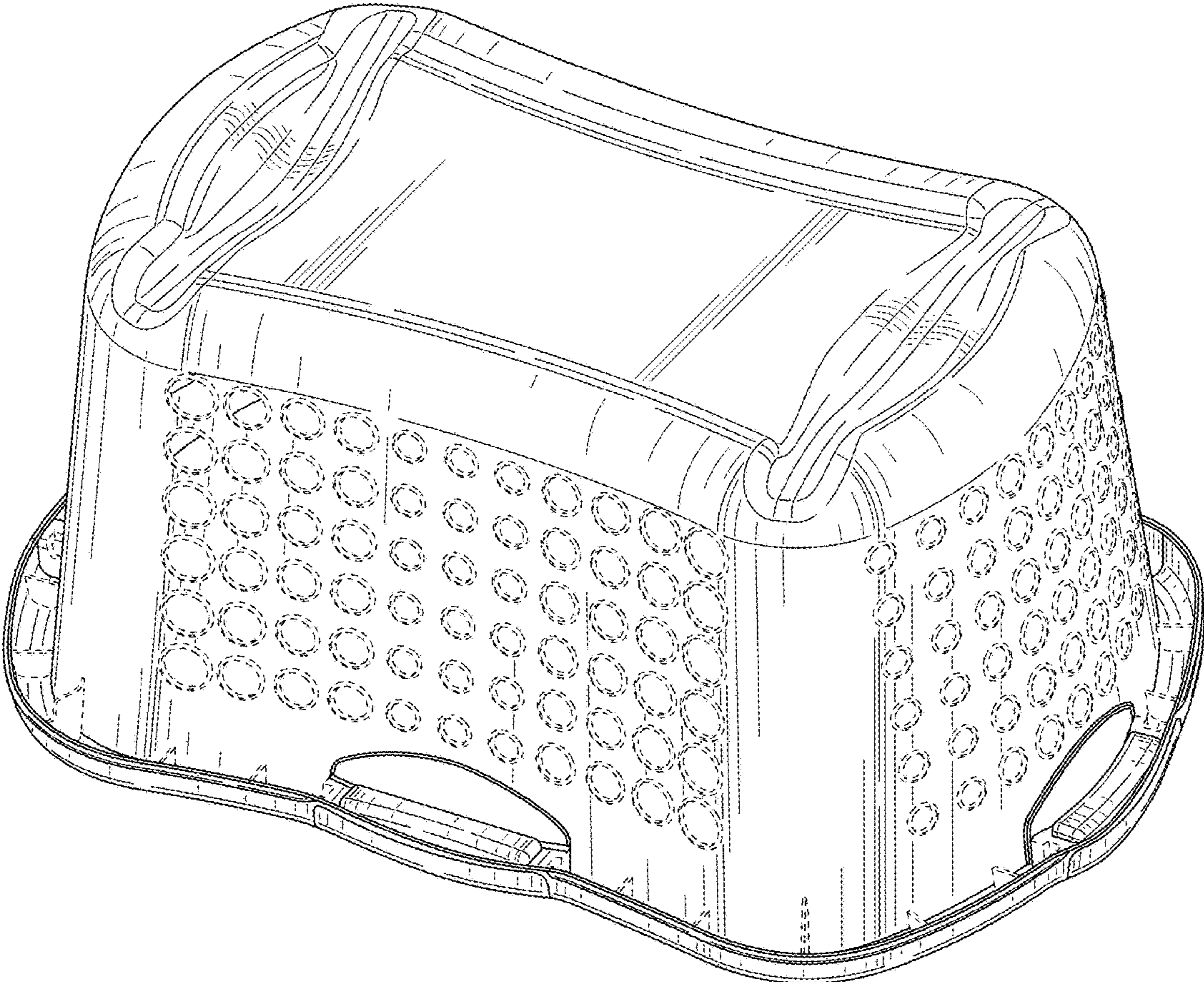


FIG. 7

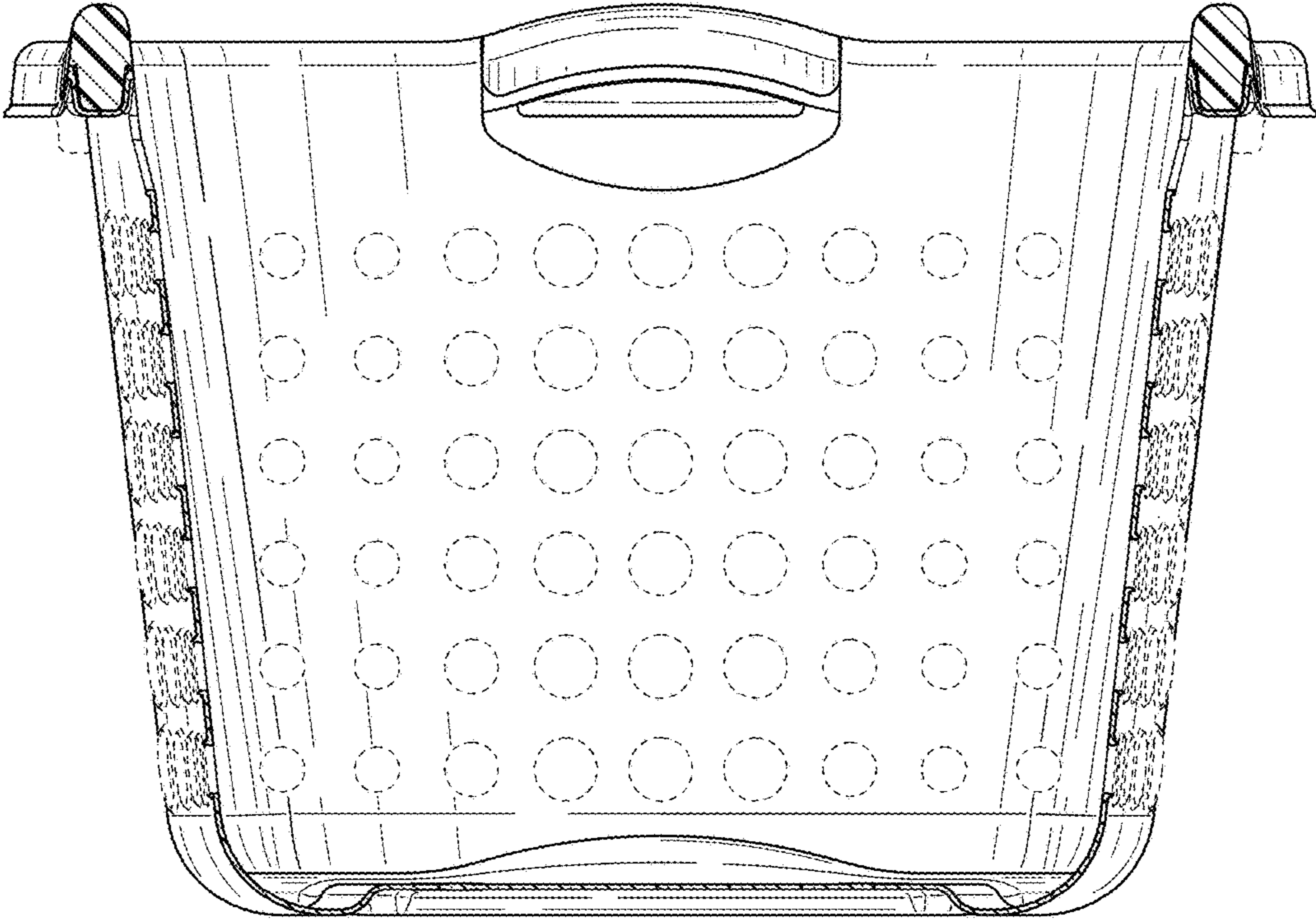


FIG. 8