



US00D831962S

(12) **United States Design Patent**
Apps et al.

(10) **Patent No.:** **US D831,962 S**

(45) **Date of Patent:** **** Oct. 30, 2018**

(54) **BEVERAGE CRATE**

2,588,805 A 3/1952 Cross
2,626,079 A 1/1953 Keller
D172,664 S 7/1954 Emery
(Continued)

(71) Applicant: **Rehrig Pacific Company**, Los Angeles, CA (US)

(72) Inventors: **Shelby Frances Apps**, Brookhaven, GA (US); **Suzanne Whitfield Clark**, Santa Monica, CA (US); **William P. Apps**, Alpharetta, GA (US); **Crystal Y. Parra**, Downey, CA (US); **Jon P. Hassell**, Atlanta, GA (US)

FOREIGN PATENT DOCUMENTS

AU 705846 11/1998
BE 680197 10/1966
(Continued)

(73) Assignee: **REHRIG PACIFIC COMPANY**, Los Angeles, CA (US)

Primary Examiner — Kelley A Donnelly

(74) *Attorney, Agent, or Firm* — Carlson, Gaskey & Olds, P.C.

(**) Term: **15 Years**

(57) **CLAIM**

The ornamental design for a beverage crate, as shown and described.

(21) Appl. No.: **29/630,801**

DESCRIPTION

(22) Filed: **Dec. 22, 2017**

(51) **LOC (11) Cl.** **03-01**

(52) **U.S. Cl.**
USPC **D3/308**

(58) **Field of Classification Search**
USPC D3/304, 307–309, 311–315;
D9/424–425, 432, 456, 751
CPC ... B65D 1/00; B65D 1/22; B65D 1/38; B65D
21/02; B65D 21/0209
See application file for complete search history.

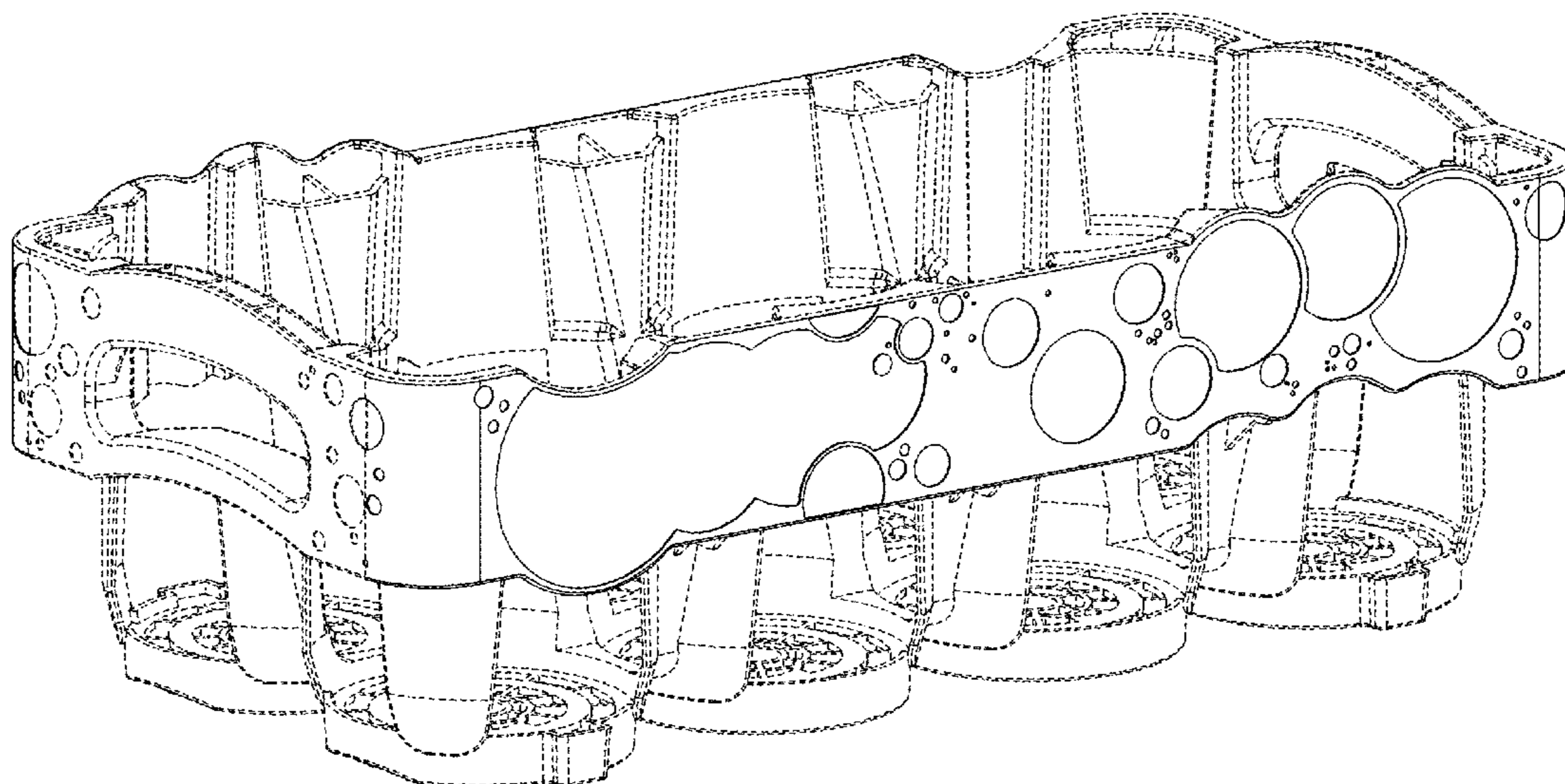
FIG. 1 is a perspective view of a first embodiment of an inventive beverage crate with the bottom half and interior shown in broken lines.
FIG. 2 is a side view of the beverage crate of FIG. 1, which is identical to the opposite side.
FIG. 3 is an end view of the beverage crate of FIG. 1, which is identical to the opposite end.
FIG. 4 is a top view of the beverage crate of FIG. 1.
FIG. 5 is a bottom view of the beverage crate of FIG. 1.
FIG. 6 is perspective view of a second embodiment of an inventive beverage crate with the bottom half and interior shown in broken lines.
FIG. 7 is a side view of the beverage crate of FIG. 6, which is identical to the opposite side.
FIG. 8 is an end view of the beverage crate of FIG. 6, which is identical to the opposite side.
FIG. 9 is a top view of the beverage crate of FIG. 6; and, FIG. 10 is a bottom view of the beverage crate of FIG. 6.
The broken lines shown herein are to show portions of the beverage crate only and form no part of the claimed design.

(56) **References Cited**

U.S. PATENT DOCUMENTS

820,445 A 5/1906 Speer
D103,862 S 3/1937 Randall et al.
2,411,673 A 11/1946 Vechev, Jr.
D147,981 S 11/1947 Lehman
D152,907 S 3/1949 Richards
2,512,855 A 6/1950 Erickson
2,526,335 A 10/1950 Deichert
2,530,481 A 11/1950 Rawn, Jr.
2,535,493 A 12/1950 Gerber

1 Claim, 8 Drawing Sheets



(56)

References Cited

U.S. PATENT DOCUMENTS

2,743,030 A	4/1956	Read, Jr.	D273,526 S	4/1984	DiSesa
2,760,676 A	8/1956	Knieriem	D275,142 S	8/1984	Torokvei
2,840,256 A	6/1958	Cobb, Jr.	4,538,742 A	9/1985	Prodel
2,928,530 A	3/1960	Sauey	4,548,320 A	10/1985	Box
2,935,222 A	5/1960	Oconnell	D283,103 S	3/1986	Cushing et al.
2,970,715 A	2/1961	Kappel	4,585,137 A	4/1986	Poutiainen et al.
D189,891 S	3/1961	Schilling	D284,841 S	7/1986	Rowland et al.
2,974,819 A	3/1961	Melville	4,615,444 A	10/1986	de Larosiere
2,979,222 A	4/1961	Levine	D289,938 S	5/1987	Warwick
3,009,579 A	11/1961	Ettlinger, Jr.	D291,178 S	8/1987	Toms
3,055,531 A	9/1962	De Chelbor	4,700,836 A	10/1987	Hammett
3,055,542 A	9/1962	Russo	4,700,837 A	10/1987	Hammett
3,092,284 A	6/1963	Stout	D292,634 S	11/1987	Chabot
D195,702 S	7/1963	Russo	D295,107 S	4/1988	Frost
3,106,308 A	10/1963	Kazimier	4,773,554 A	9/1988	Warwick
3,151,762 A	10/1964	Vidal	4,789,063 A	12/1988	Hammett
3,155,268 A	11/1964	Fogerty	4,848,580 A	7/1989	Wise
3,184,148 A	5/1965	Poupitch	D304,123 S	10/1989	Warwick
D201,257 S	6/1965	Vidal	4,899,874 A	2/1990	Apps et al.
3,247,996 A	4/1966	Garcia	4,911,303 A	3/1990	Andersson
3,283,947 A	11/1966	Cornelius	4,928,841 A	5/1990	Arthurs
3,297,190 A	1/1967	Cloyd	4,932,532 A	6/1990	Apps et al.
D208,111 S	7/1967	Vidal	4,944,400 A	7/1990	Van Onstein et al.
3,332,574 A	7/1967	Earp	4,978,000 A	12/1990	Mohr
3,333,727 A	8/1967	Belcher	4,978,002 A	12/1990	Apps et al.
3,333,729 A	8/1967	Rabb	D313,493 S	1/1991	Apps et al.
3,334,767 A	8/1967	Cornelius	D317,670 S	6/1991	Apps
3,349,943 A	10/1967	Box	D318,552 S	6/1991	Apps
D209,864 S	1/1968	Versteeg	5,031,749 A	7/1991	McCoy
3,376,998 A	4/1968	Cornelius	5,031,774 A	7/1991	Morris et al.
3,384,261 A	5/1968	Austin	D319,129 S	8/1991	Apps et al.
3,390,801 A	7/1968	Adomat	5,040,681 A	8/1991	Grusin
3,391,814 A	7/1968	Box	D320,298 S	9/1991	Apps et al.
3,391,815 A	7/1968	Box	5,060,819 A	10/1991	Apps
3,392,869 A	7/1968	Needt	5,071,026 A	12/1991	Apps
3,416,694 A	12/1968	Bebb	5,078,282 A	1/1992	Stanfield
3,428,207 A	2/1969	Schoeller	5,096,085 A	3/1992	Eek et al.
3,517,852 A	6/1970	Schoeller	D325,279 S	4/1992	Apps
3,628,684 A	12/1971	Sere	5,105,948 A	4/1992	Morris et al.
3,638,824 A	2/1972	Sekiguchi	D326,749 S	6/1992	Apps et al.
3,682,351 A	8/1972	De Putter	D327,357 S	6/1992	Rehrig
3,701,449 A	10/1972	Schoeller	D327,972 S	6/1992	Apps et al.
3,759,416 A	9/1973	Constantine	D329,931 S	9/1992	Apps
D229,674 S	12/1973	Quigg	D329,932 S	9/1992	Apps
3,788,002 A	1/1974	Suchka	5,184,748 A	2/1993	Apps
3,812,996 A	5/1974	Bunnell	5,267,649 A	12/1993	Apps et al.
3,865,239 A	2/1975	Herolzer et al.	5,305,884 A	4/1994	Apps et al.
D239,213 S	3/1976	Carroll	5,316,172 A	5/1994	Apps et al.
3,949,876 A	4/1976	Bridges et al.	5,320,245 A	6/1994	Apps et al.
3,991,879 A	11/1976	Hirota	5,335,814 A	8/1994	Hepp
3,998,237 A	12/1976	Kressin et al.	D350,438 S	9/1994	Apps et al.
3,998,328 A	12/1976	Box	5,351,814 A	10/1994	Apps
RE29,262 E	6/1977	Utz	5,377,862 A	1/1995	Oakes et al.
4,027,796 A	6/1977	Martin	D356,679 S	3/1995	Apps et al.
4,037,722 A	7/1977	Bremer	5,405,042 A	4/1995	Apps et al.
4,040,517 A	8/1977	Torokvei	5,419,451 A	5/1995	Bitel, Jr.
4,071,162 A	1/1978	Steinlein et al.	5,421,477 A	6/1995	Hammett
4,095,720 A	6/1978	Delbrouck et al.	D360,758 S	8/1995	Umiker
4,101,049 A	7/1978	Wallace et al.	D361,431 S	8/1995	Koefeld
4,161,259 A	7/1979	Palafox	5,465,843 A	11/1995	Koefeld
4,162,738 A	7/1979	Wright	5,487,487 A	1/1996	Hammett
4,202,448 A	5/1980	Jaeger et al.	5,495,945 A	3/1996	Apps et al.
4,204,596 A	5/1980	Davis	5,501,352 A	3/1996	Apps
D256,014 S	7/1980	Noga	5,529,176 A	6/1996	Apps et al.
D260,194 S	8/1981	Carroll	5,575,390 A	11/1996	Apps et al.
4,295,576 A	10/1981	Steinlein	D378,249 S	3/1997	Apps et al.
4,308,966 A	1/1982	Ettema et al.	D379,121 S	5/1997	Apps et al.
4,319,685 A	3/1982	David	D379,717 S	6/1997	Apps et al.
4,343,400 A	8/1982	Faucillon	D380,613 S	6/1997	Apps et al.
4,344,530 A	8/1982	deLarosiere	D380,901 S	7/1997	Apps et al.
D266,709 S	10/1982	Box	5,651,461 A	7/1997	Apps et al.
D268,791 S	4/1983	Wood	5,660,279 A	8/1997	Apps et al.
4,387,824 A	6/1983	Wefers	5,669,498 A	9/1997	Fierek et al.
4,410,099 A	10/1983	deLarosiere	5,702,022 A	12/1997	Umiker
4,416,373 A	11/1983	deLarosiere	5,704,482 A	1/1998	Apps et al.
			5,720,688 A	2/1998	Wilson et al.
			5,740,934 A	4/1998	Brady
			5,769,230 A	6/1998	Koefeld
			D395,756 S	7/1998	Tanji

(56)

References Cited

U.S. PATENT DOCUMENTS

D395,954 S 7/1998 Apps et al.
 5,785,170 A 7/1998 Hammett
 D398,151 S 9/1998 Ahem
 D398,152 S 9/1998 Kelly
 D399,060 S 10/1998 Apps et al.
 D400,012 S 10/1998 Apps
 5,823,376 A 10/1998 McGrath
 D401,764 S 12/1998 Apps et al.
 5,842,572 A 12/1998 Apps et al.
 D404,204 S 1/1999 Apps
 5,855,277 A 1/1999 Apps et al.
 D410,778 S 6/1999 Apps et al.
 D412,399 S 8/1999 Apps et al.
 5,964,343 A 10/1999 Steiner
 5,971,204 A 10/1999 Apps
 5,979,654 A 11/1999 Apps
 D417,784 S 12/1999 Umiker
 6,006,912 A 12/1999 McGrath
 D420,220 S 2/2000 Apps et al.
 D421,183 S 2/2000 Koskinen
 6,047,844 A 4/2000 McGrath
 6,059,109 A 5/2000 Stein
 6,073,793 A 6/2000 Apps et al.
 6,079,554 A 6/2000 Hammett et al.
 6,112,938 A 9/2000 Apps
 6,131,730 A 10/2000 Hsu
 6,186,328 B1 2/2001 Apps
 6,189,734 B1 2/2001 Apps et al.
 6,237,758 B1 5/2001 Hsu
 D446,015 S 8/2001 Apps
 D448,567 S 10/2001 Buss
 D452,613 S 1/2002 Hammett
 6,401,960 B1 6/2002 Hammett
 D461,957 S 8/2002 Hammett
 D462,522 S 9/2002 Apps et al.
 6,454,120 B1 9/2002 Hammett
 6,457,599 B1 10/2002 Apps et al.
 D465,417 S 11/2002 Apps
 D466,018 S 11/2002 Apps
 D468,634 S 1/2003 Hammett
 D478,421 S 8/2003 Overholt et al.
 D483,946 S 12/2003 Koefeld
 D485,756 S 1/2004 Apps
 D487,634 S 3/2004 Apps et al.
 6,749,065 B1 6/2004 Hammett
 D494,867 S 8/2004 Apps
 D495,532 S 9/2004 Meissen et al.
 D500,924 S 1/2005 Martin et al.
 6,851,563 B1 2/2005 Lipari
 6,880,705 B2 4/2005 Otting et al.
 D505,014 S 5/2005 Apps et al.
 6,892,885 B2 5/2005 Apps et al.
 6,899,247 B1 5/2005 Koefeld et al.
 D506,870 S 7/2005 Uihlein et al.
 D507,880 S 8/2005 Hassell et al.
 D549,454 S 11/2005 Ahman
 6,966,442 B2 11/2005 Hassell et al.
 7,011,215 B2 3/2006 Meissen et al.
 7,017,746 B2 3/2006 Apps
 7,036,666 B2 5/2006 Hammett
 D523,338 S 6/2006 Hoge et al.
 7,086,531 B2 8/2006 Apps et al.
 7,093,715 B1 8/2006 Apps
 7,097,033 B2 8/2006 Koefeld et al.
 7,128,234 B2 10/2006 Apps et al.
 D539,541 S 4/2007 Stahl
 7,207,458 B1 4/2007 Koefeld et al.
 7,252,196 B1 8/2007 Koefeld et al.
 7,281,641 B2 10/2007 Apps
 D557,011 S 12/2007 Fernandez et al.
 7,311,217 B2 12/2007 Apps
 7,322,475 B2 1/2008 Hassell et al.
 7,322,486 B2 1/2008 Koefeld et al.
 D575,061 S 8/2008 Titas et al.
 7,549,539 B2 6/2009 Apps

D598,684 S 8/2009 Stahl
 D600,021 S 9/2009 Lindstrom
 7,604,122 B2 10/2009 Apps et al.
 7,658,278 B2 2/2010 Apps et al.
 7,677,405 B2 3/2010 Apps et al.
 7,694,839 B2 4/2010 Koefeld et al.
 D615,758 S 5/2010 Lindstrom
 7,735,676 B2 6/2010 Ogburn
 7,743,939 B2 6/2010 Stahl
 7,950,521 B2 5/2011 Apps
 D648,535 S 11/2011 Reinhart et al.
 8,056,753 B2 11/2011 Koefeld et al.
 8,109,408 B2 2/2012 Hassell
 8,123,034 B2 2/2012 Apps et al.
 8,186,534 B2 5/2012 Apps
 D663,525 S 7/2012 Rhoades et al.
 D666,829 S 9/2012 Liao
 D682,673 S 5/2013 Miller et al.
 8,517,203 B2 8/2013 Apps
 D688,869 S 9/2013 Lindstrom
 8,522,967 B2 9/2013 Lindstrom
 8,672,161 B2 3/2014 Apps
 8,720,688 B2 5/2014 Hassell et al.
 8,757,420 B2 6/2014 Stahl
 D714,060 S 9/2014 Meers et al.
 8,960,479 B2 2/2015 Meers et al.
 D749,323 S * 2/2016 Stahl D3/308
 D759,974 S * 6/2016 Meers D3/304
 D792,098 S * 7/2017 Aquino D3/304
 D801,688 S * 11/2017 Holland D3/309
 D802,968 S * 11/2017 Henonin D6/675
 D805,777 S * 12/2017 Wei D3/305
 2001/0015329 A1 8/2001 Apps et al.
 2001/0019063 A1 9/2001 Apps
 2002/0148837 A1 10/2002 Apps
 2002/0195452 A1 12/2002 Apps
 2003/0024844 A1 2/2003 Hammett
 2003/0029870 A1 2/2003 Apps et al.
 2003/0057211 A1 3/2003 Koefeld et al.
 2003/0075546 A1 4/2003 Hammett
 2005/0017063 A1 1/2005 Noone et al.
 2005/0067314 A1 3/2005 Koefeld et al.
 2005/0072710 A1 4/2005 Hammett et al.
 2005/0279651 A1 12/2005 Perret et al.
 2006/0169620 A1 8/2006 Apps
 2007/0246392 A1 10/2007 Stahl
 2008/0116214 A1 5/2008 Apps et al.
 2009/0206088 A1 8/2009 Ogburn
 2009/0242568 A1 10/2009 Apps
 2010/0084297 A1 4/2010 Apps
 2010/0084302 A1 4/2010 Apps
 2010/0147642 A1 6/2010 Andochick
 2010/0170823 A1 7/2010 Koefeld et al.
 2010/0258467 A1 10/2010 Apps
 2011/0056861 A1 3/2011 Apps
 2011/0240659 A1 10/2011 Orgeldinger
 2012/0152789 A1 6/2012 Apps et al.
 2014/0110303 A1 4/2014 Meers et al.

FOREIGN PATENT DOCUMENTS

BE 693216 7/1967
 CA 965056 3/1975
 CA 1109433 9/1981
 DE 1207268 12/1965
 DE 2837910 3/1980
 DE 102007050061 12/2008
 EP 99827 2/1984
 EP 210712 2/1987
 EP 464894 1/1992
 EP 915021 5/1999
 EP 1008527 6/2000
 EP 1124730 8/2001
 EP 2090516 8/2009
 EP 2107006 10/2009
 FR 1285689 2/1962
 FR 1350962 1/1964
 FR 1351218 5/1964
 FR 1518610 3/1968

(56)

References Cited

FOREIGN PATENT DOCUMENTS

FR	2302244	9/1976
GB	758817	10/1956
GB	943947	12/1963
GB	1032916	6/1966
GB	1115343	5/1968
GB	1120067	7/1968
GB	1152038	5/1969
GB	1312701	4/1973
GB	1319726	6/1973
GB	1330778	9/1973
GB	2017645	10/1979
GB	2079256	1/1982
GB	2135278	8/1984
GB	2158044	11/1985
NL	6505562	10/1966
WO	8201536	5/1982
WO	9408862	4/1994
WO	9640566	12/1996
WO	9807636	2/1998
WO	0041937	7/2000
WO	0075027	12/2000
WO	02083512	10/2002
WO	2006026783	3/2006
WO	2008063803	5/2008
WO	2009043038	4/2009

* cited by examiner

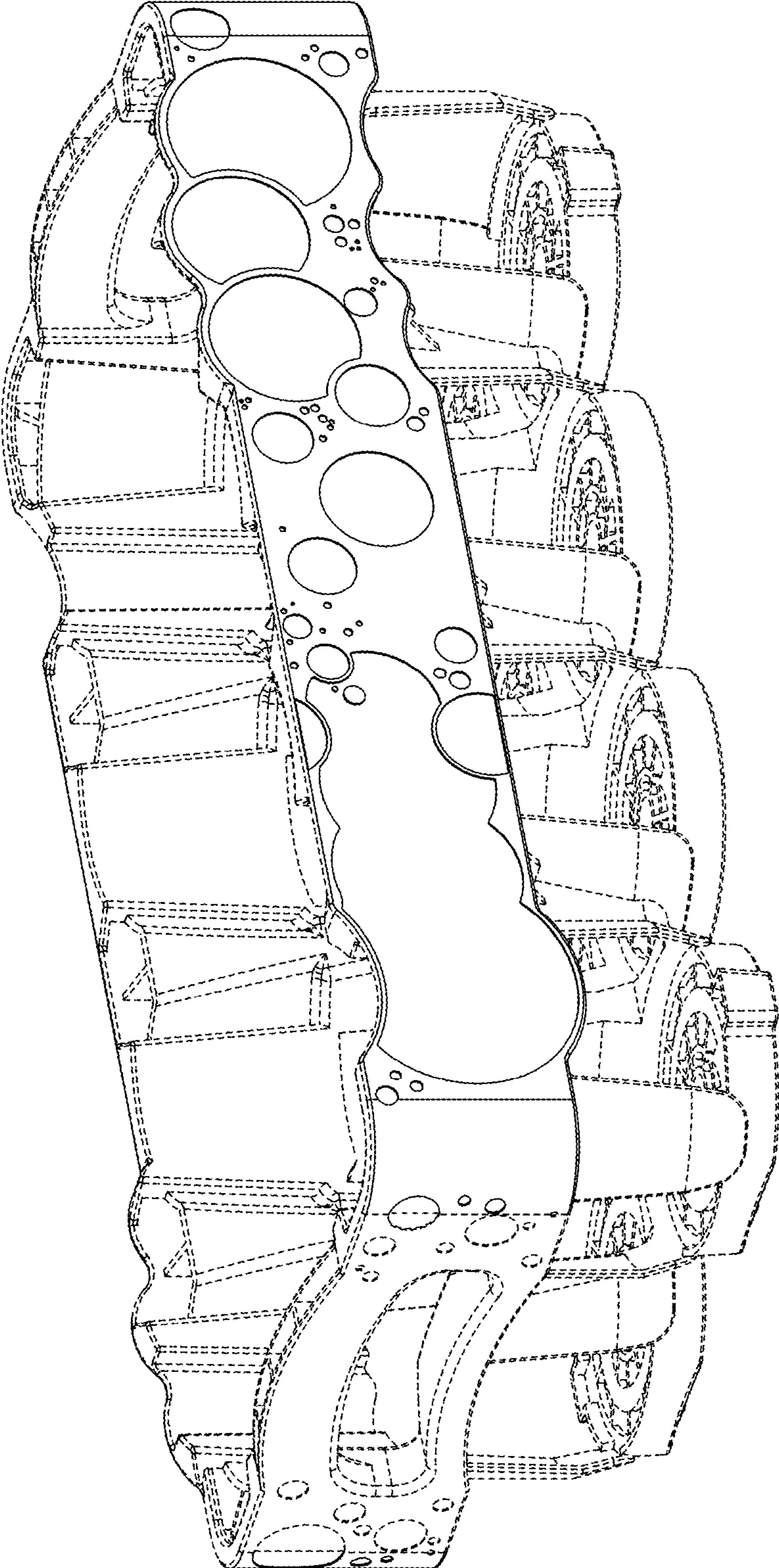


FIG. 1

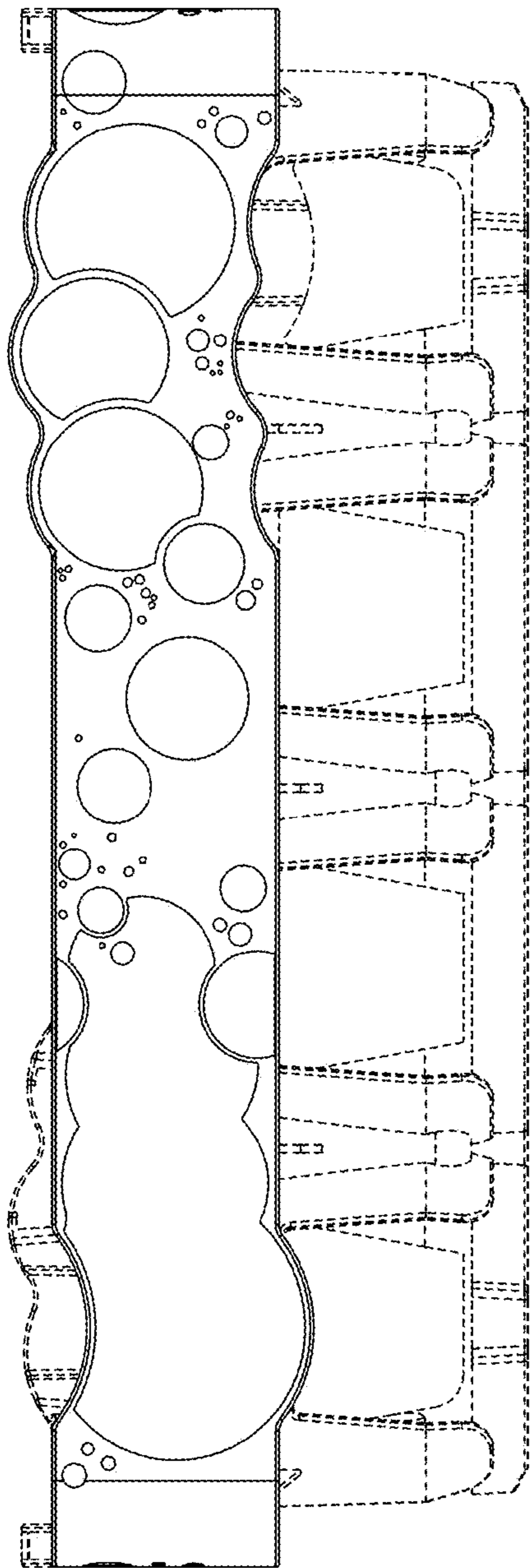


FIG. 2

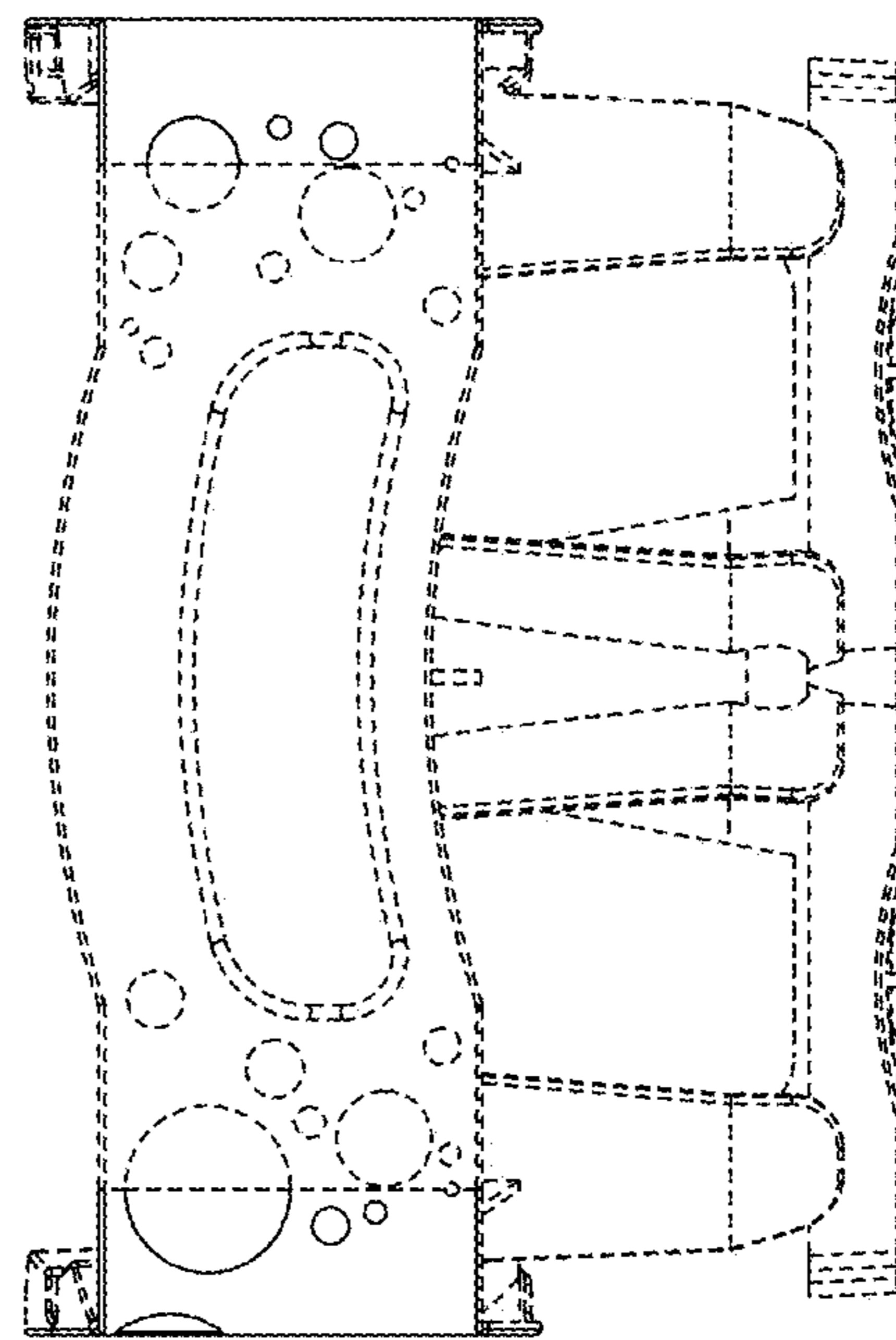


FIG. 3

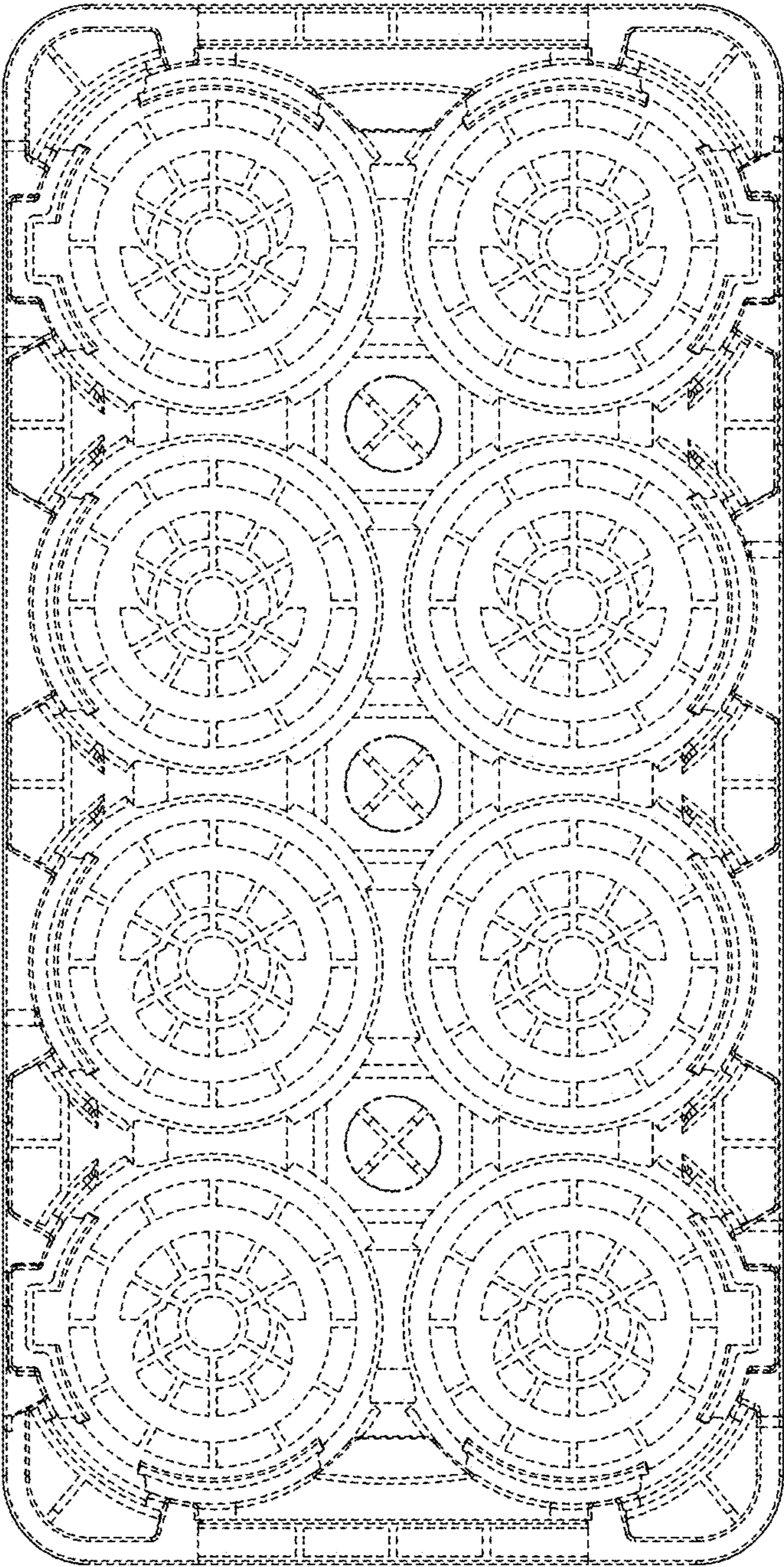


FIG. 4

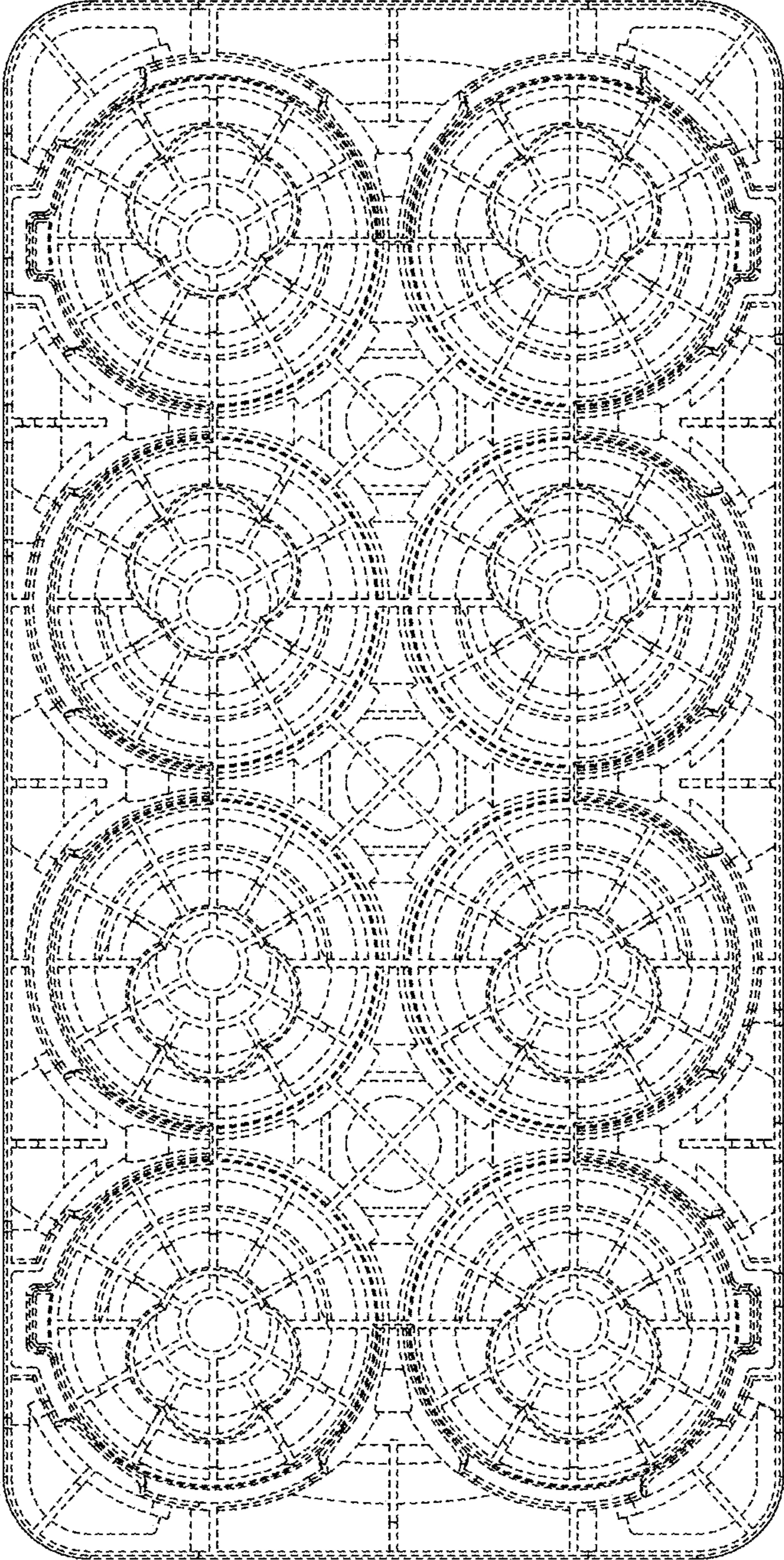


FIG. 5

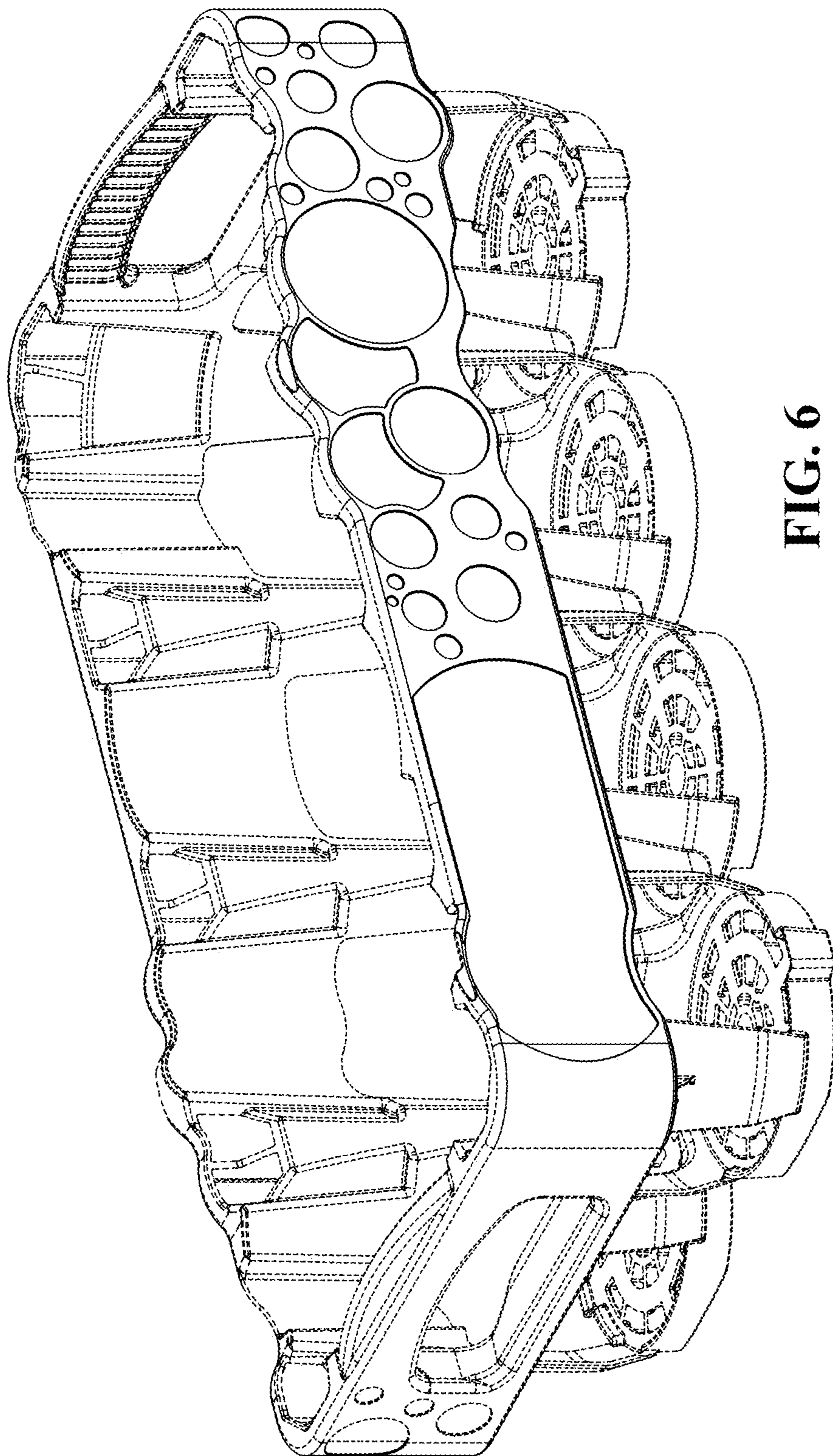


FIG. 6

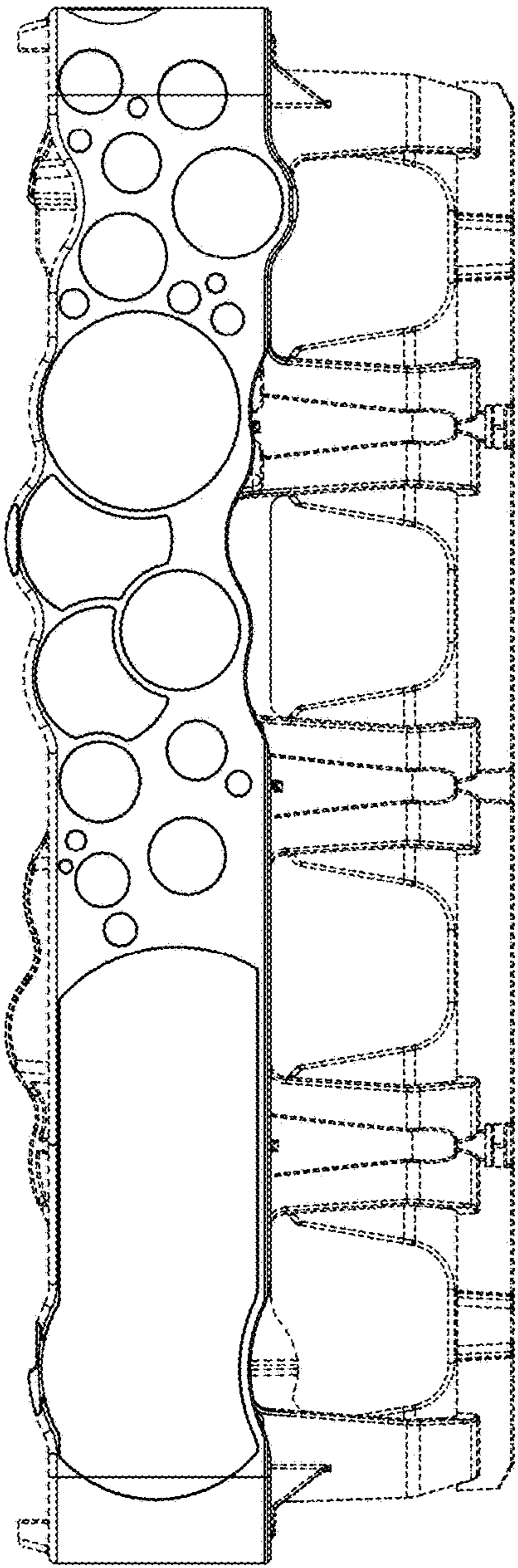


FIG. 7

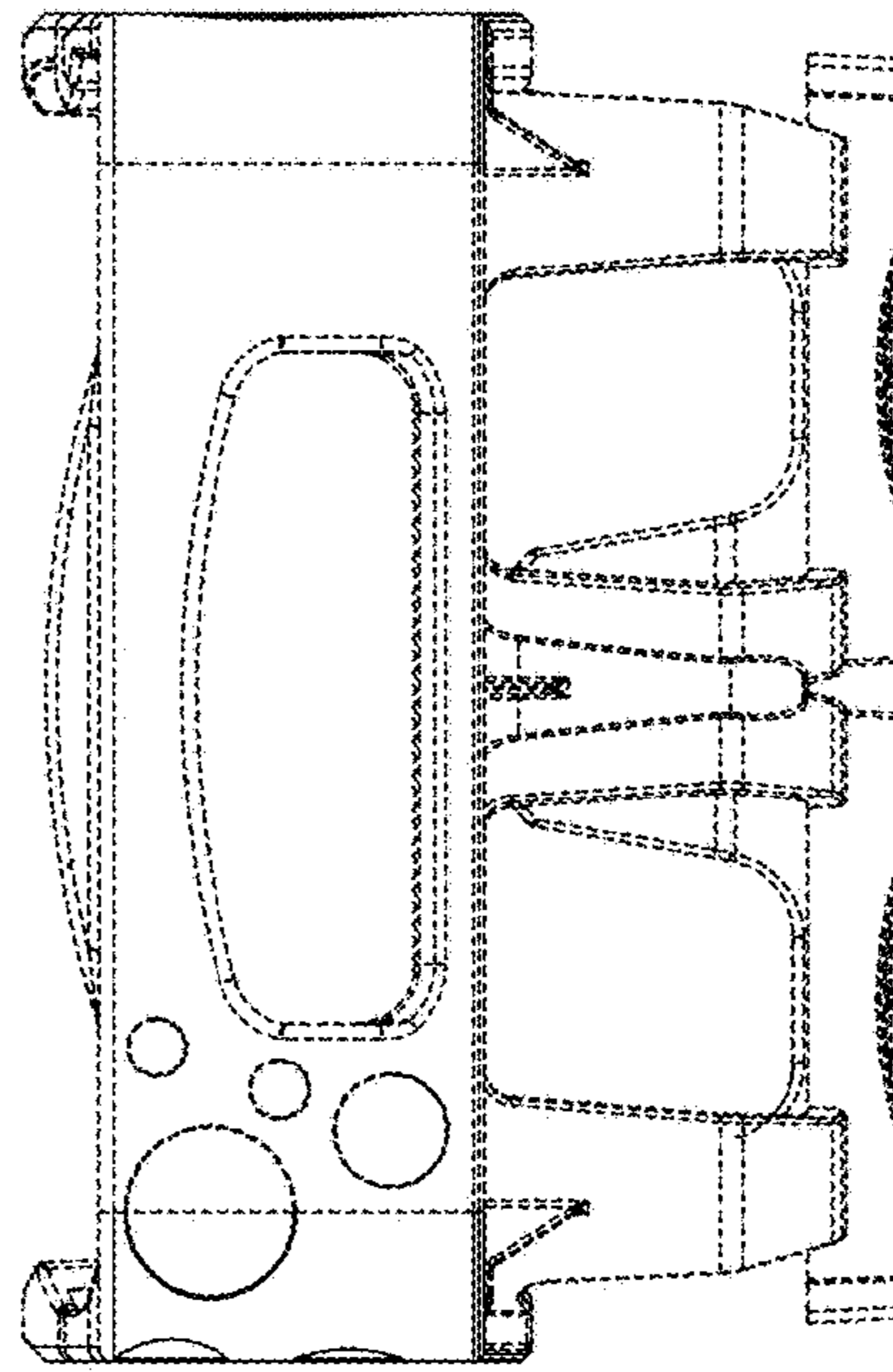


FIG. 8

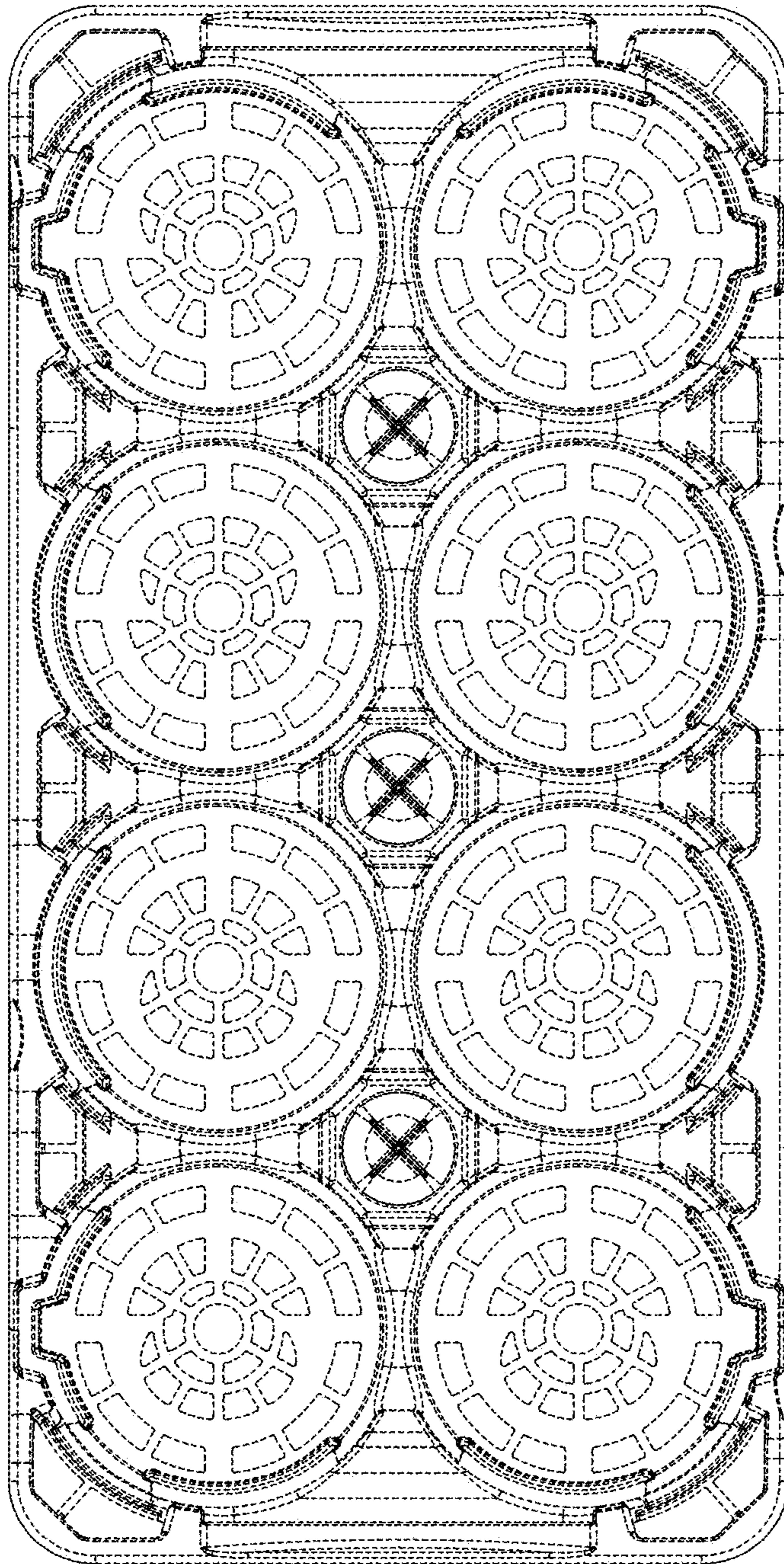


FIG. 9

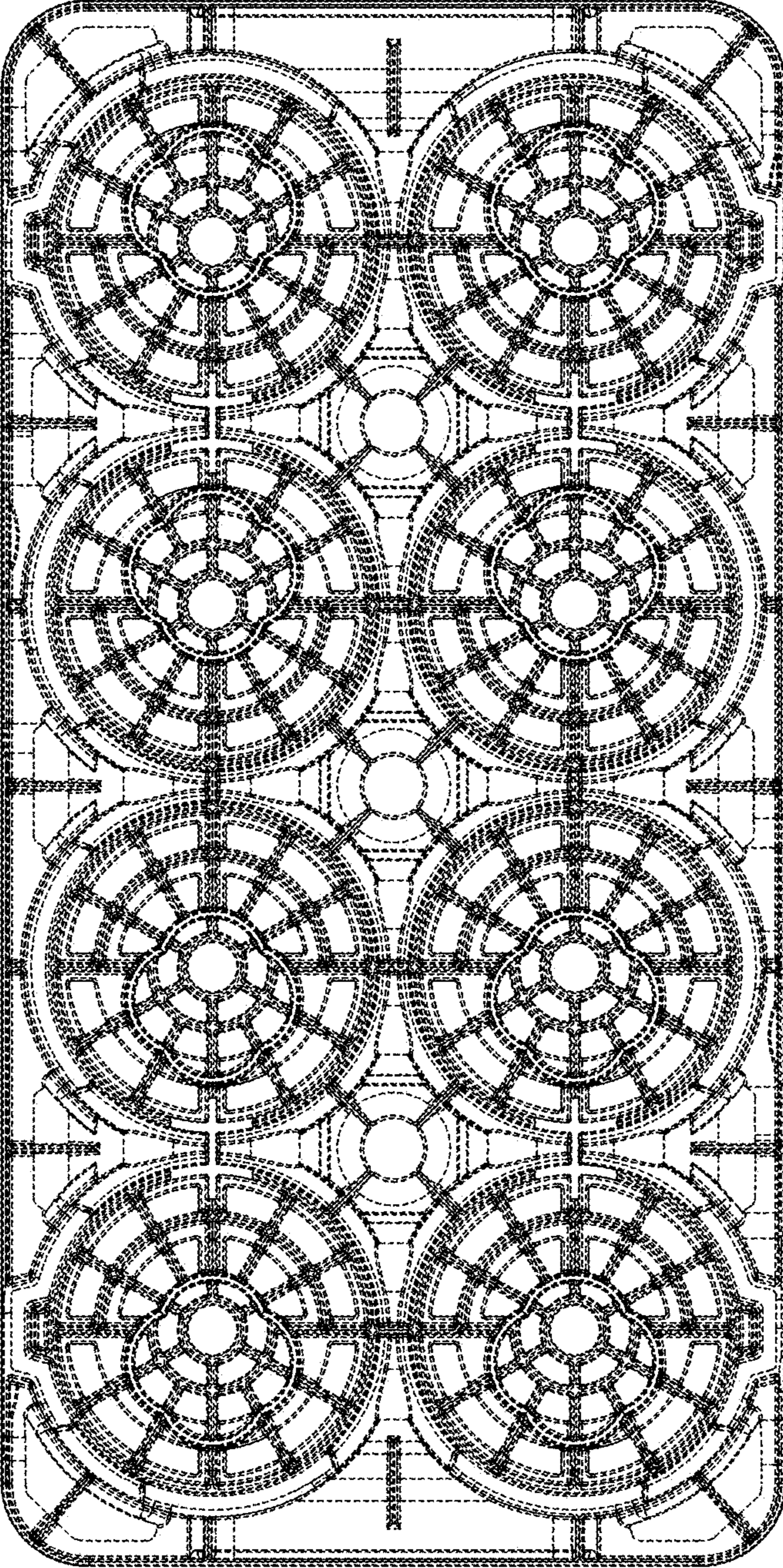


FIG. 10