



US00D831959S

(12) **United States Design Patent** (10) **Patent No.:** **US D831,959 S**
Hollinger (45) **Date of Patent:** **** Oct. 30, 2018**

(54) **TOTE BAG**
(71) Applicant: **E. MISHAN & SONS, INC.**, New York, NY (US)
(72) Inventor: **Fred Hollinger**, Monroe Township, NJ (US)
(73) Assignee: **E. MISHAN & SONS, INC.**, New York, NY (US)
(**) Term: **15 Years**
(21) Appl. No.: **29/648,930**
(22) Filed: **May 24, 2018**
(51) **LOC (11) Cl.** **03-01**
(52) **U.S. Cl.**
USPC **D3/246**
(58) **Field of Classification Search**
USPC D3/232-233, 240-243, 245-246
CPC .. A45C 1/024; A45C 3/06; A45C 3/04; A45C 7/0077; A45C 7/0086
See application file for complete search history.

5,399,020 A 3/1995 Cheng
5,472,279 A 12/1995 Lin
5,595,320 A 1/1997 Aghassipour
5,904,230 A 5/1999 Peterson
D413,723 S 9/1999 Quansah
D419,770 S 2/2000 Mogil
6,048,099 A 4/2000 Muffett et al.
6,068,402 A 5/2000 Freese et al.
6,230,950 B1 5/2001 Heetman
D447,628 S 9/2001 Haapala
6,409,066 B1 6/2002 Schneider et al.
6,640,856 B1 11/2003 Tucker
D587,009 S 2/2009 Maillet
D587,010 S 2/2009 Deck
D602,254 S 10/2009 Cutler
7,597,478 B2 10/2009 Pruchnicki et al.
7,682,080 B2 3/2010 Mogil
D620,707 S 8/2010 Mogil
D621,609 S 8/2010 Hasty
D624,310 S 9/2010 LaCorte
D627,199 S 11/2010 Pruchnicki
D635,828 S 4/2011 Pruchnicki

(Continued)

Primary Examiner — Holly H Baynham
(74) *Attorney, Agent, or Firm* — Notaro, Michalos & Zaccaria P.C.

(57) **CLAIM**

The ornamental design for a tote bag, as shown and described.

DESCRIPTION

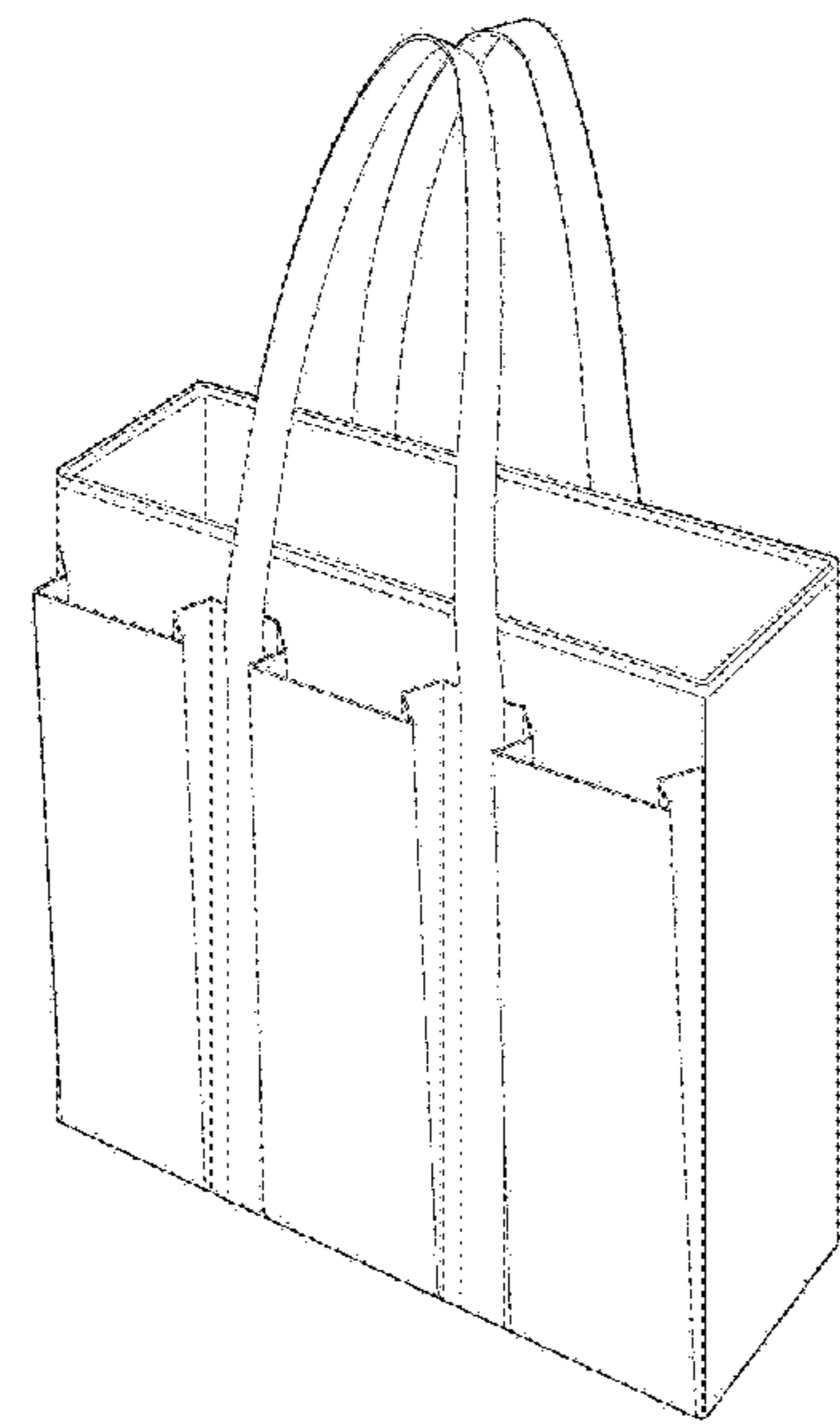
FIG. 1 is a front, right perspective view of a tote bag showing my design therefor;
FIG. 2 is a front elevational view thereof;
FIG. 3 is a rear elevational view thereof;
FIG. 4 is a right side elevational view;
FIG. 5 is a left side elevational view thereof;
FIG. 6 is a top plan view thereof; and,
FIG. 7 is a bottom plan view thereof.

1 Claim, 6 Drawing Sheets

(56) **References Cited**

U.S. PATENT DOCUMENTS

1,553,697 A 4/1924 Lederer
1,604,658 A 10/1926 Post
1,606,107 A 11/1926 Simms
1,729,318 A 9/1929 Wunderlich
2,575,191 A 11/1951 Seipp
2,661,785 A 12/1953 Daust
2,837,132 A 6/1958 Daust
4,211,091 A 7/1980 Campbell
4,211,267 A 7/1980 Skovgaard
D281,546 S 12/1985 Bradshaw
5,044,699 A 9/1991 Duty
5,265,960 A 11/1993 Shikler
5,354,131 A 10/1994 Mogil



(56)

References Cited

U.S. PATENT DOCUMENTS

7,958,920 B1 *	6/2011	Olsson	A45C 3/001 150/112	D809,798 S *	2/2018	Hernandez	D3/309
8,016,090 B2	9/2011	McCoy et al.		9,902,548 B2	2/2018	Seiders et al.	
D653,849 S	2/2012	Jariwala		2005/0117817 A1	6/2005	Mogil et al.	
D656,726 S	4/2012	Flores		2006/0198562 A1	9/2006	Mogil	
D657,632 S	4/2012	Pruchnicki		2006/0228051 A1	10/2006	Yu	
8,628,242 B2	1/2014	Buller et al.		2009/0080808 A1	3/2009	Hagen	
8,993,079 B1	3/2015	Duong		2009/0148076 A1	6/2009	Teng-Yao	
9,084,463 B2 *	7/2015	Merrill	A45C 11/20	2009/0268991 A1	10/2009	Cyr	
9,139,352 B2	9/2015	Seiders et al.		2010/0014785 A1	1/2010	Deck	
9,254,022 B2	2/2016	Meldeau et al.		2010/0084443 A1	4/2010	Adelman	
9,265,318 B1	2/2016	Williams et al.		2010/0086237 A1	4/2010	Diepen	
9,290,313 B2	3/2016	De Lesseux et al.		2010/0200450 A1	8/2010	Weed	
D752,860 S	4/2016	Barilaro et al.		2011/0142373 A1	6/2011	Kong	
D762,378 S	8/2016	Domotor et al.		2011/0167863 A1	7/2011	Herrbold	
9,408,445 B2 *	8/2016	Mogil	A45C 3/001	2013/0048649 A1	2/2013	Williams	
9,650,198 B2	5/2017	De Lesseux et al.		2014/0248004 A1	9/2014	Weinberg	
9,796,517 B2	10/2017	Seiders et al.		2015/0265015 A1	9/2015	Lee	
				2016/0286918 A1	10/2016	Murphy	
				2016/0309864 A1	10/2016	Mogil et al.	
				2017/0280937 A1	10/2017	Mogil et al.	

* cited by examiner

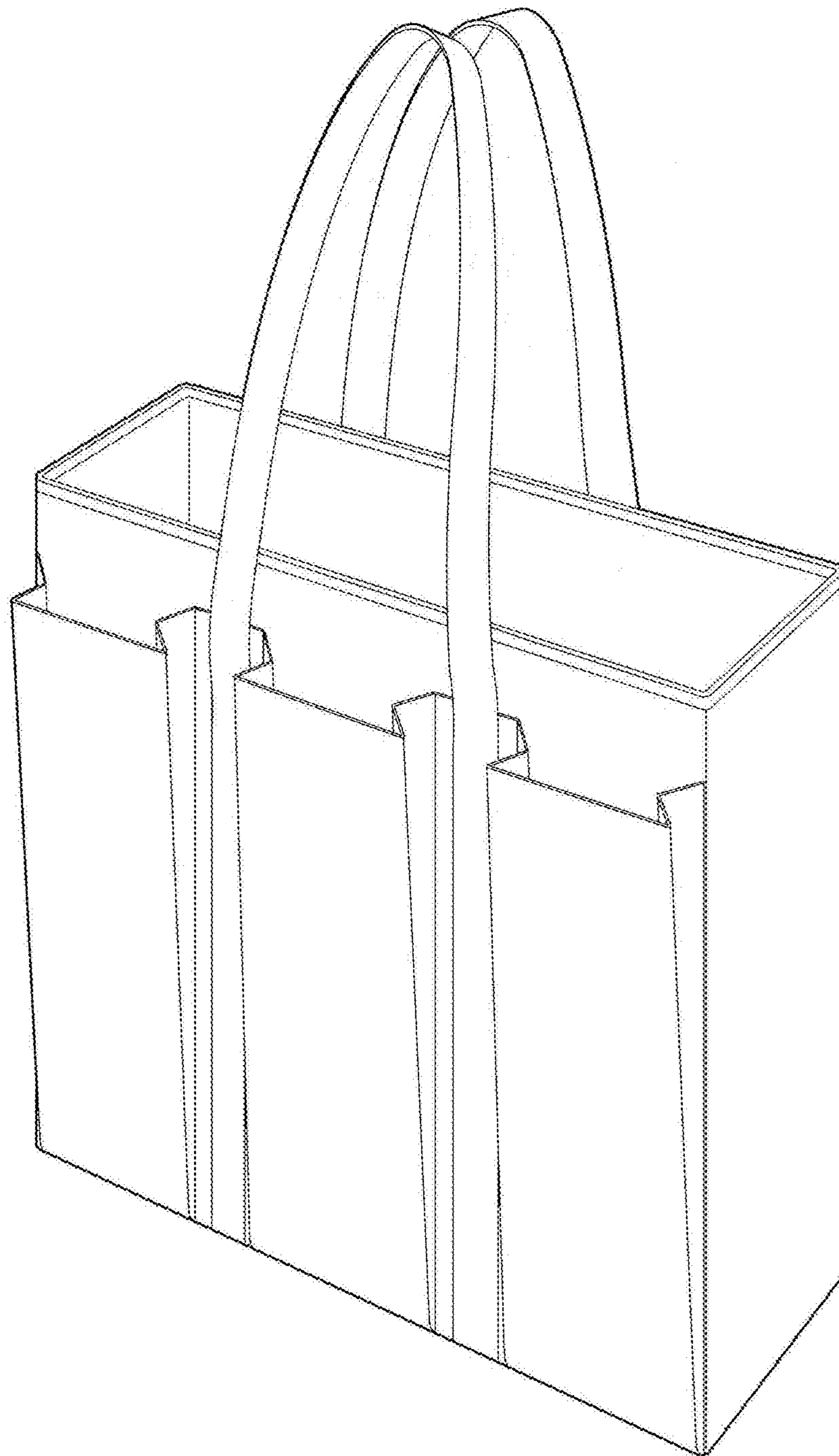


Fig. 1

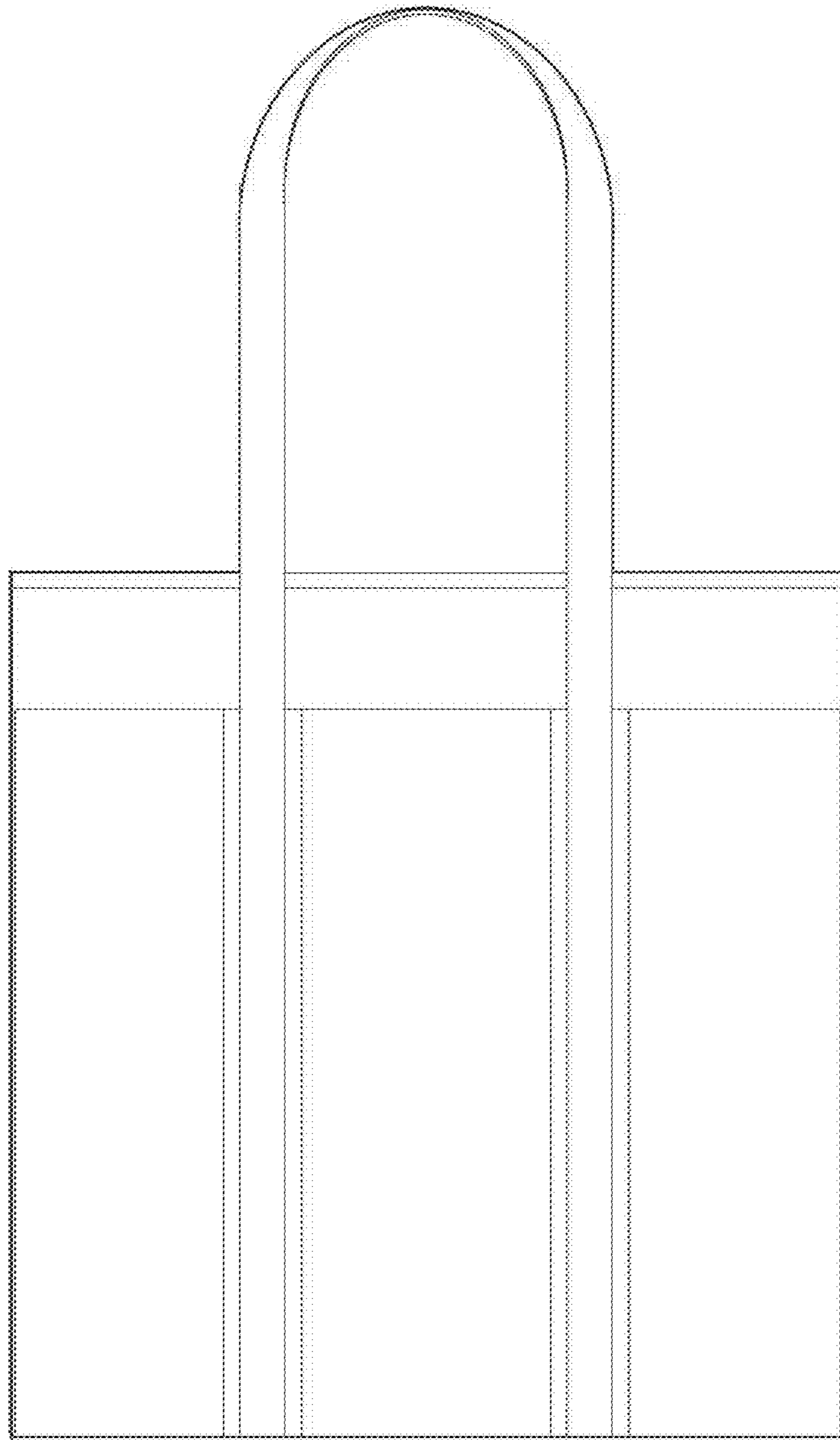


Fig. 2

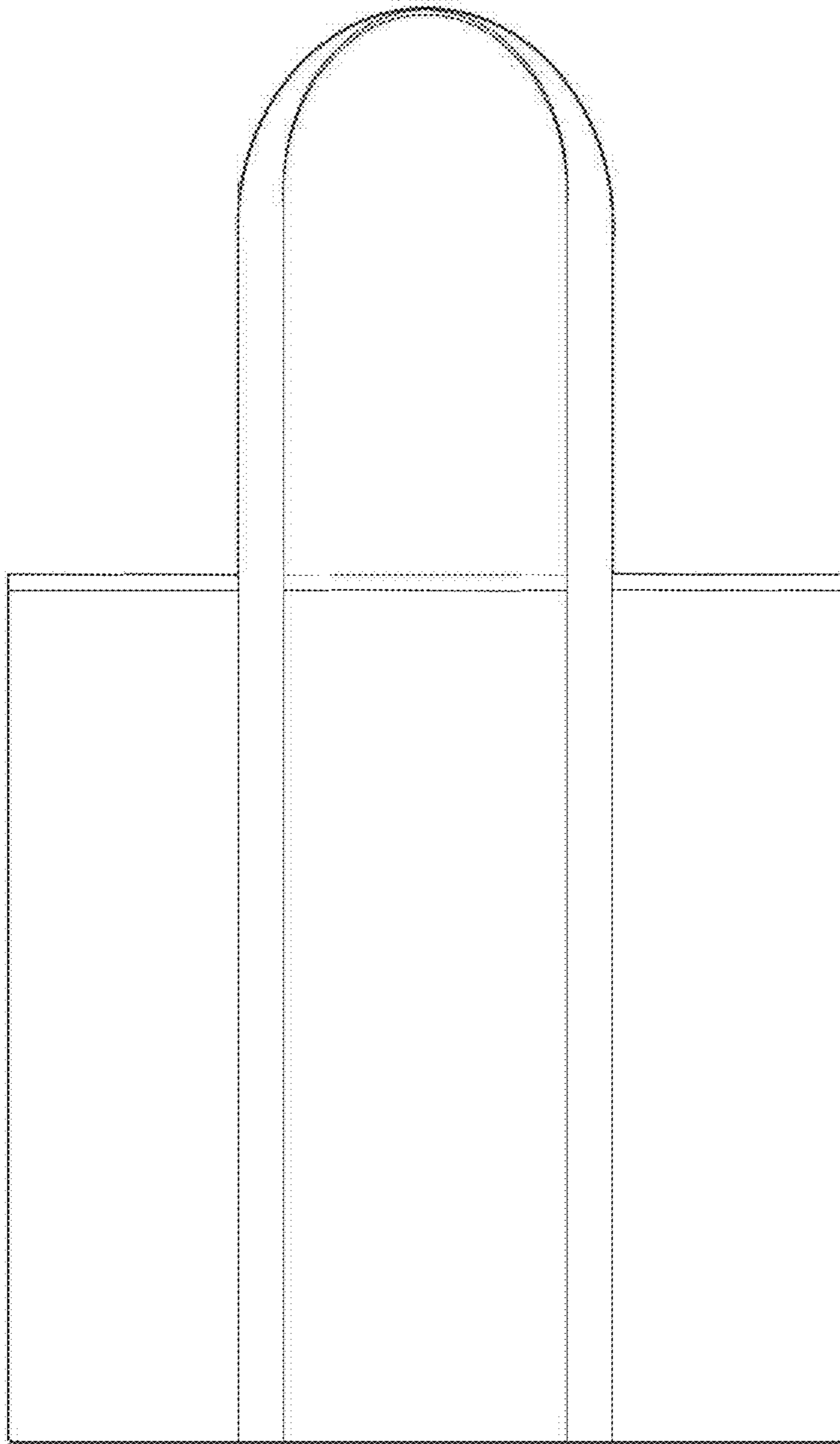


Fig. 3

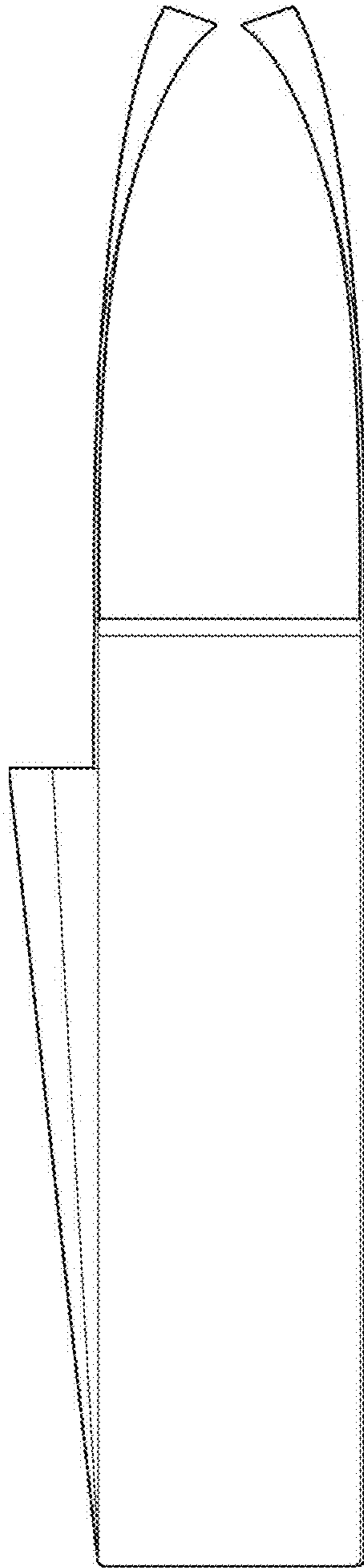


Fig. 4

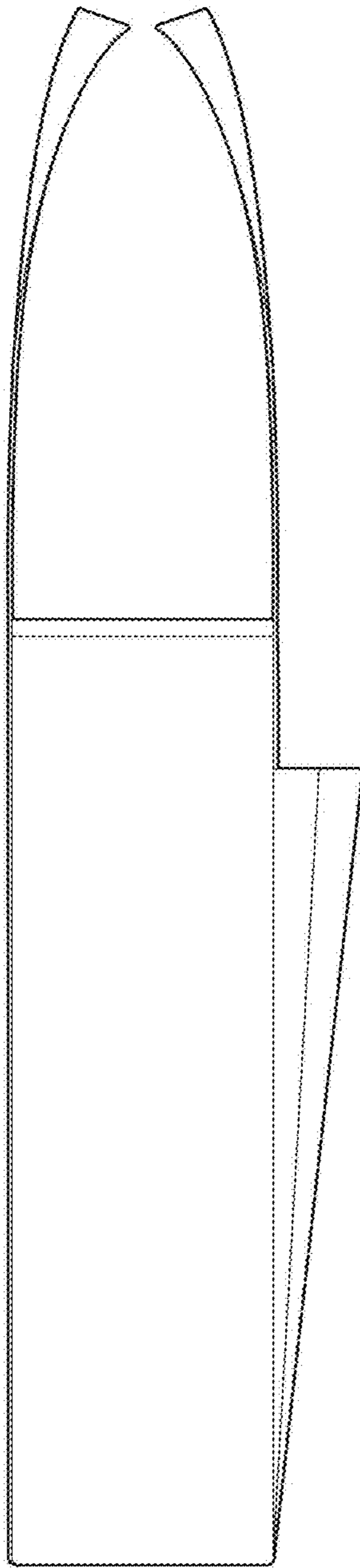


Fig. 5

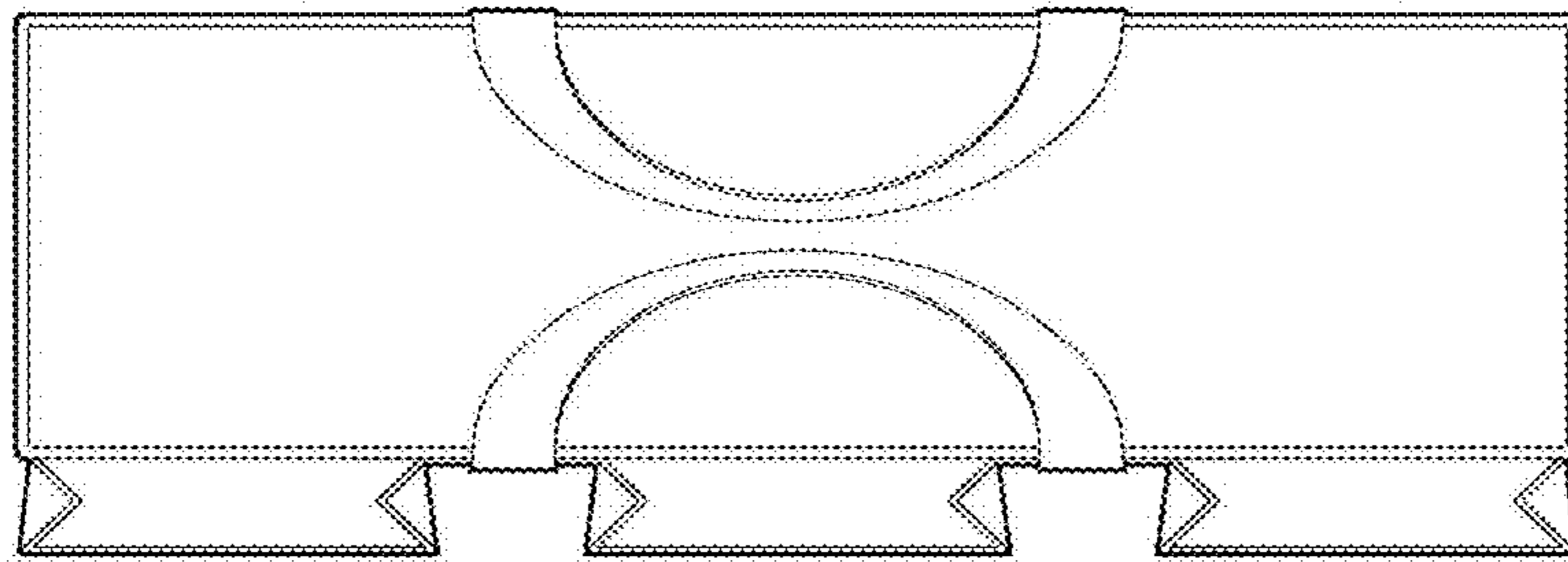


Fig. 6

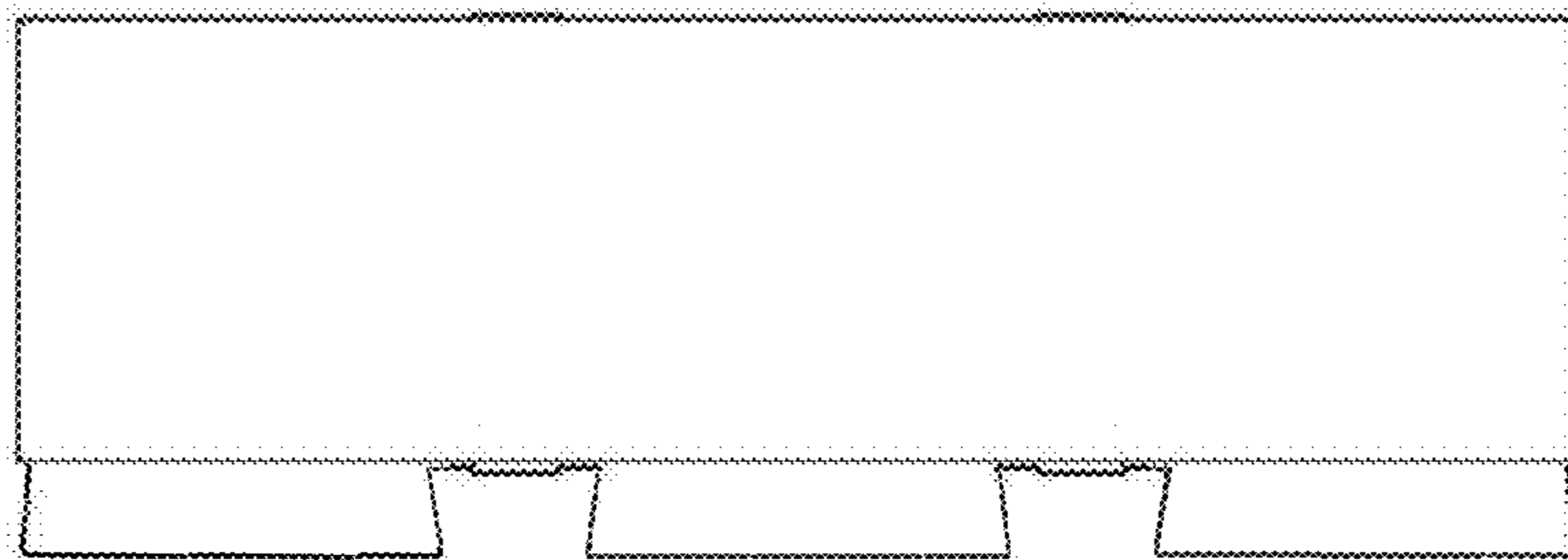


Fig. 7