



US00D831957S

(12) **United States Design Patent**
Carter et al.

(10) **Patent No.:** **US D831,957 S**
(45) **Date of Patent:** **** Oct. 30, 2018**

- (54) **TOTE**
- (71) Applicant: **Skip Hop, Inc.**, New York, NY (US)
- (72) Inventors: **Chelsea Carter**, Jersey City, NJ (US);
Ellen Diamant, New York, NY (US)
- (73) Assignee: **SKIP HOP, INC.**, New York, NY (US)
- (**) Term: **15 Years**
- (21) Appl. No.: **29/597,244**
- (22) Filed: **Mar. 15, 2017**
- (51) **LOC (11) Cl.** **03-01**
- (52) **U.S. Cl.**
USPC **D3/246**
- (58) **Field of Classification Search**
USPC D3/232-233, 240-243, 245-246
CPC A45C 1/024; A45C 3/08
See application file for complete search history.

D687,629 S * 8/2013 Fiedler D3/232
D770,763 S * 11/2016 Joo D3/232

* cited by examiner

Primary Examiner — Holly H Baynham
(74) *Attorney, Agent, or Firm* — Stephen J. Weyer, Esq.;
Stites & Harbison, PLLC

(57) **CLAIM**

The ornamental design for a tote, as shown and described.

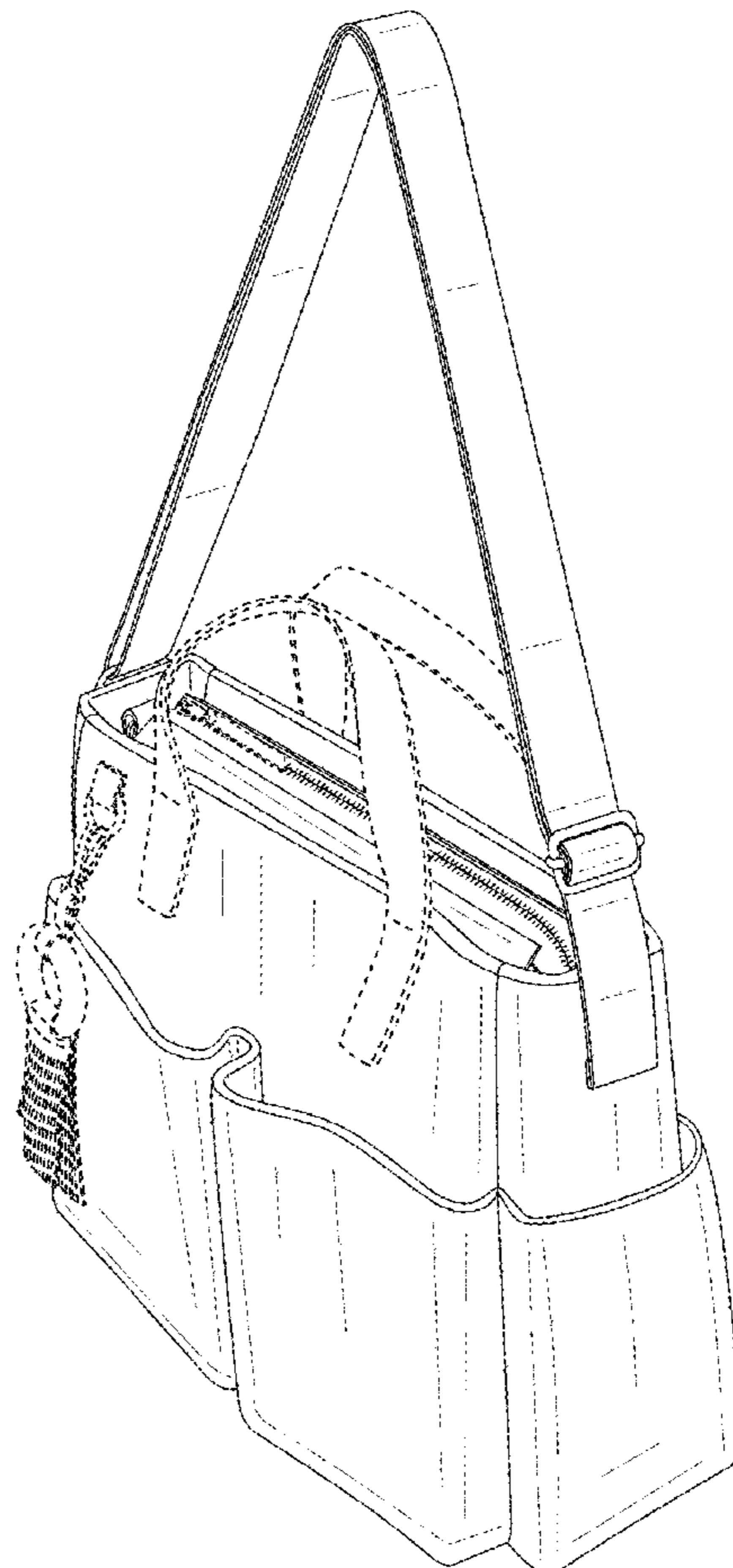
DESCRIPTION

FIG. 1 is a top, front and right side perspective view of the tote in accordance with the first embodiment of our design. FIG. 2 is a left side elevational view thereof. FIG. 3 is a right side elevational view thereof. FIG. 4 is a bottom plan view thereof. FIG. 5 is a top plan view thereof. FIG. 6 is a front elevational view thereof; and, FIG. 7 is a rear elevational view thereof. The broken lines showing handles and decorative tassel are for the purposes of illustrating environment and forms no part of the claimed design.

(56) **References Cited**
U.S. PATENT DOCUMENTS

D580,162 S * 11/2008 Crook D3/232
D660,586 S * 5/2012 Maramotti D3/232

1 Claim, 7 Drawing Sheets



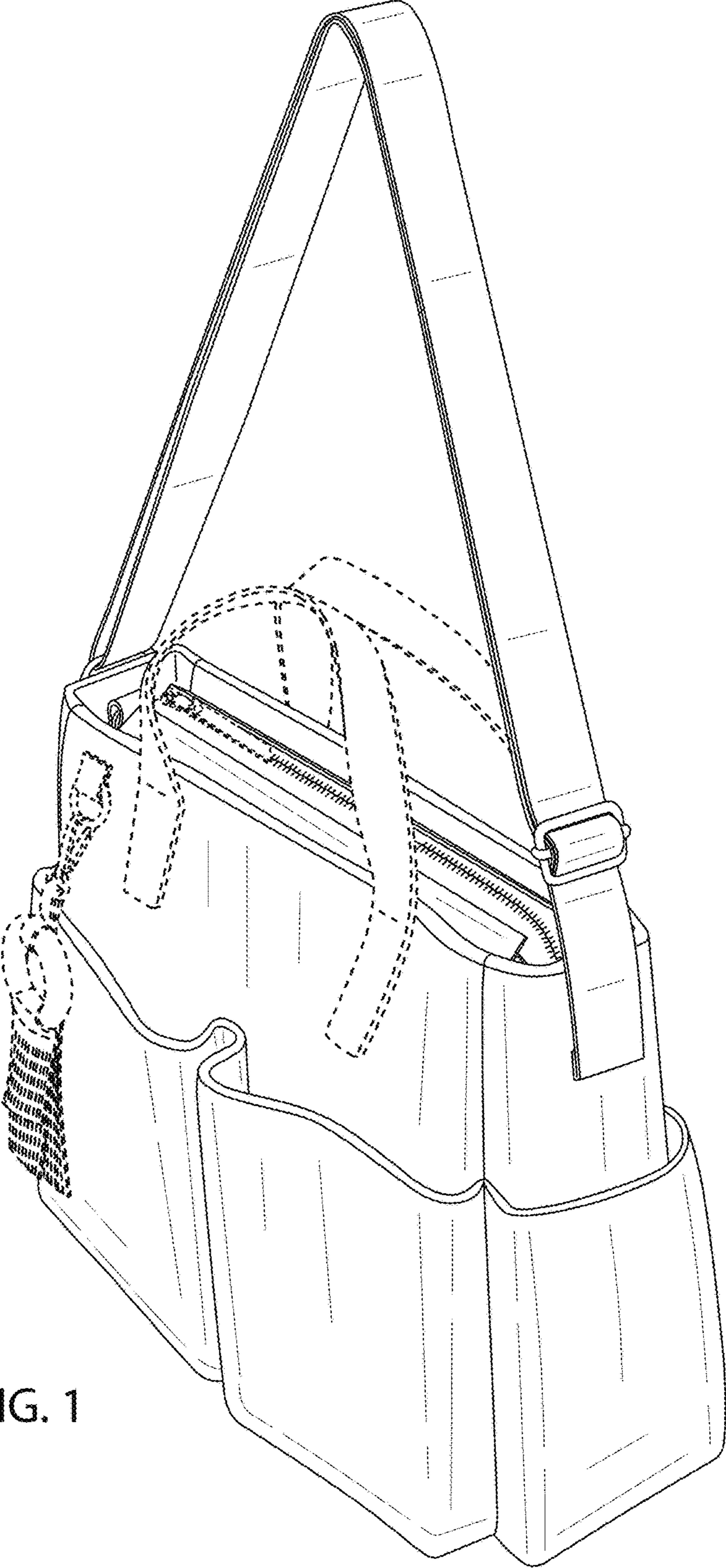


FIG. 1

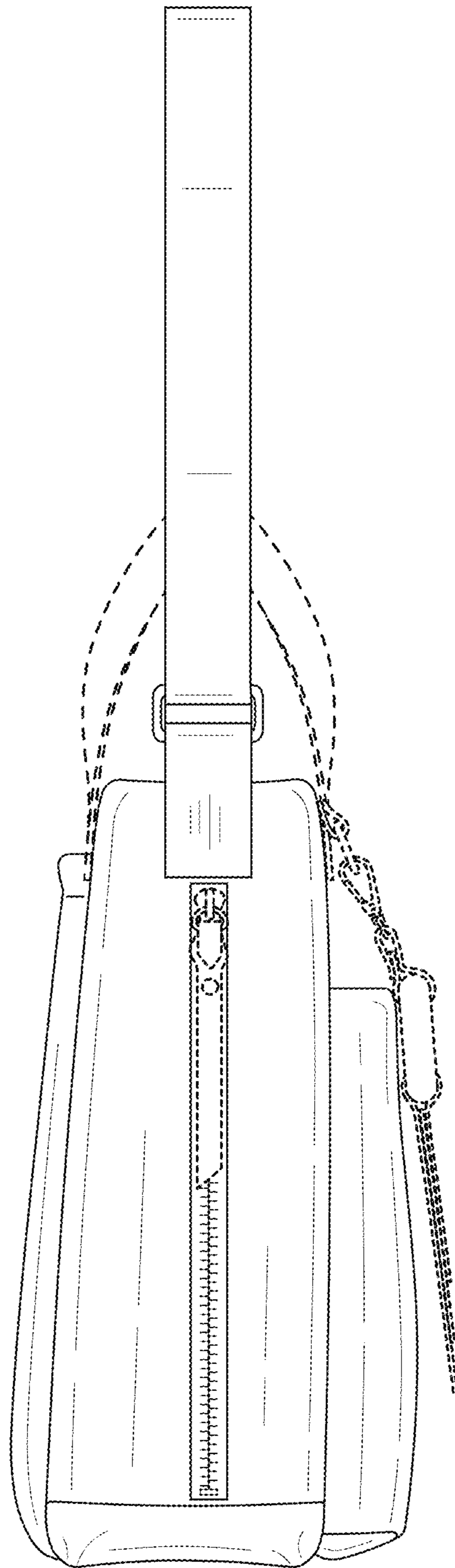


FIG. 2

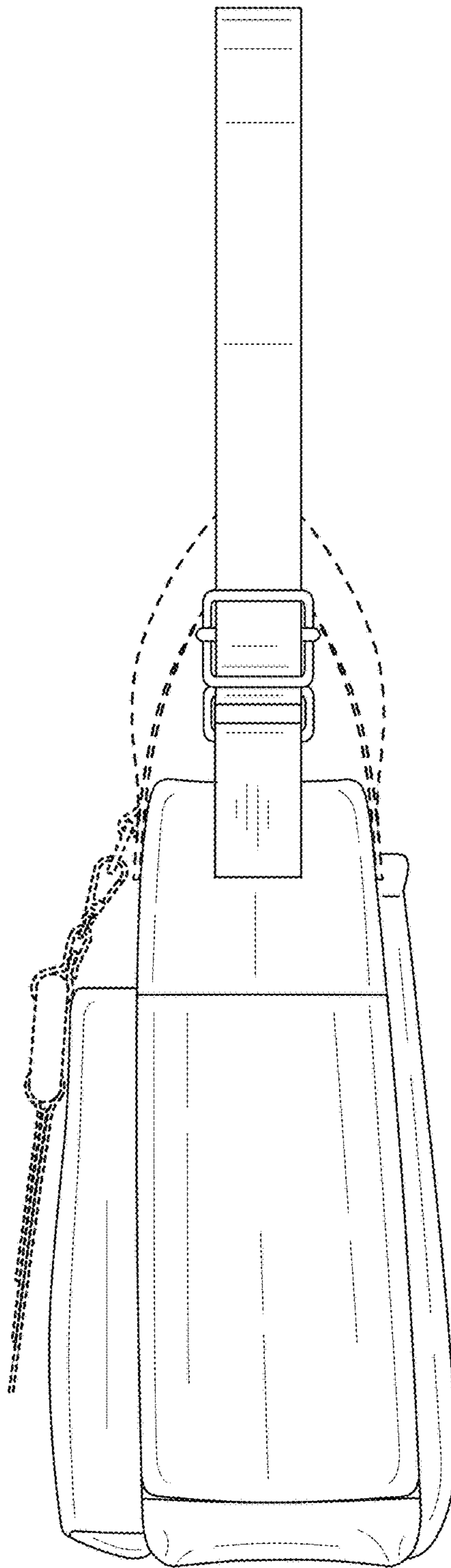


FIG. 3

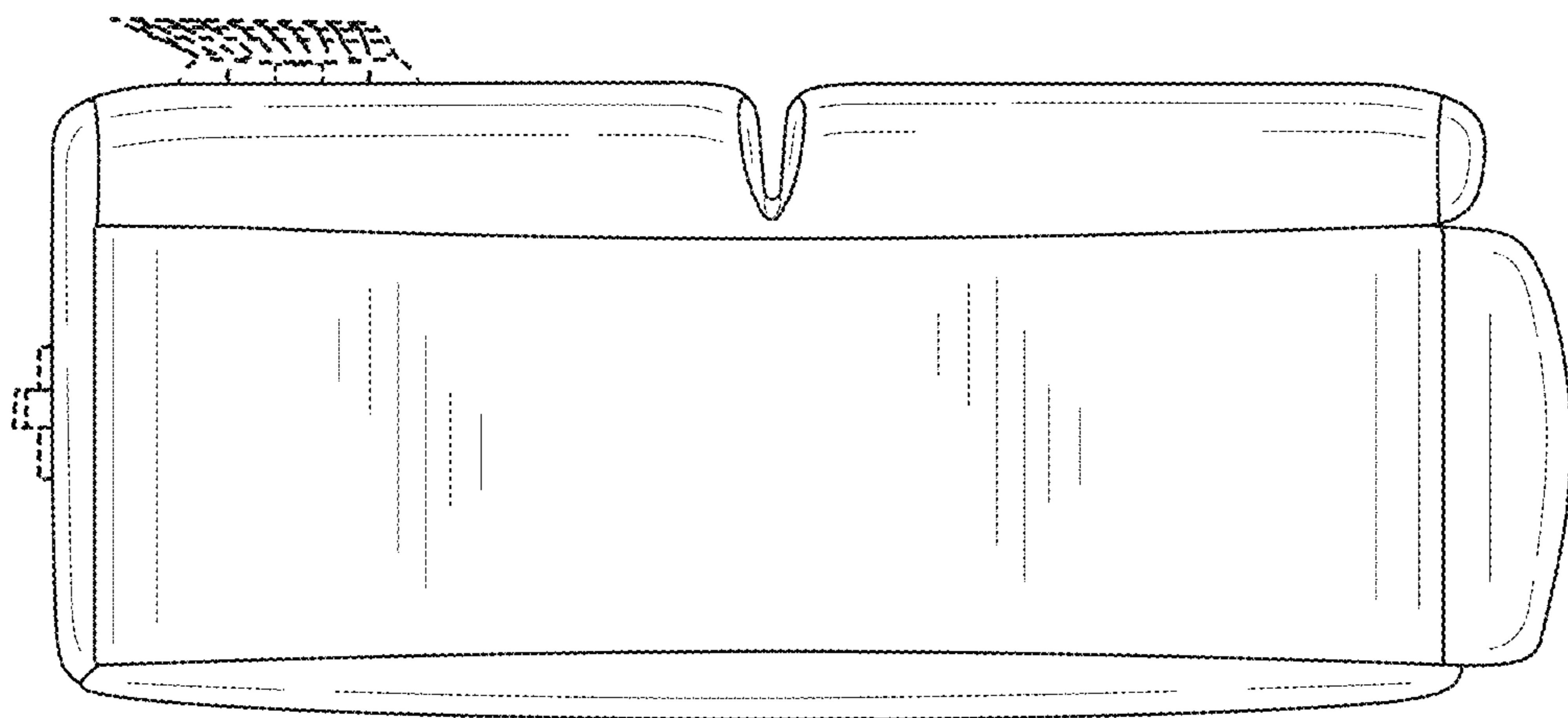


FIG. 4

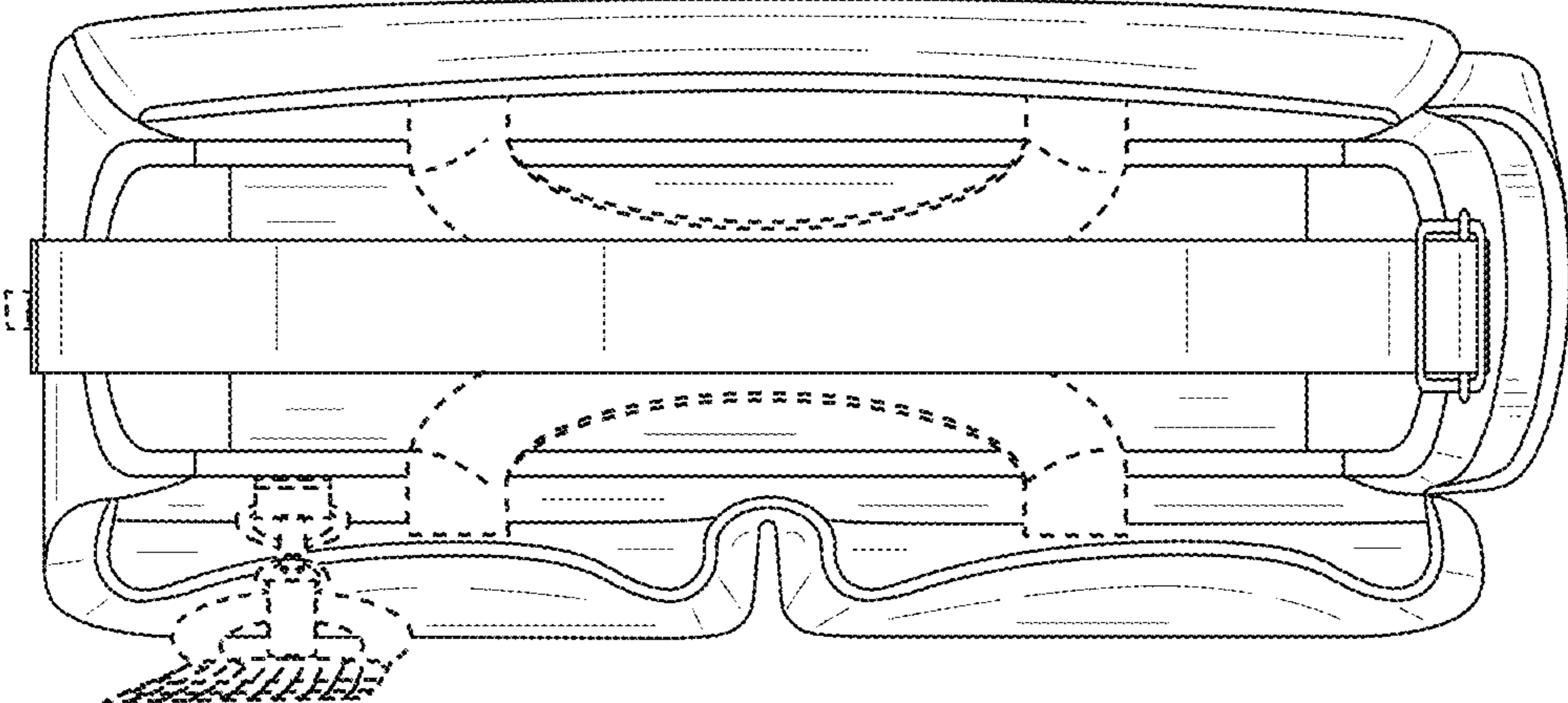


FIG. 5

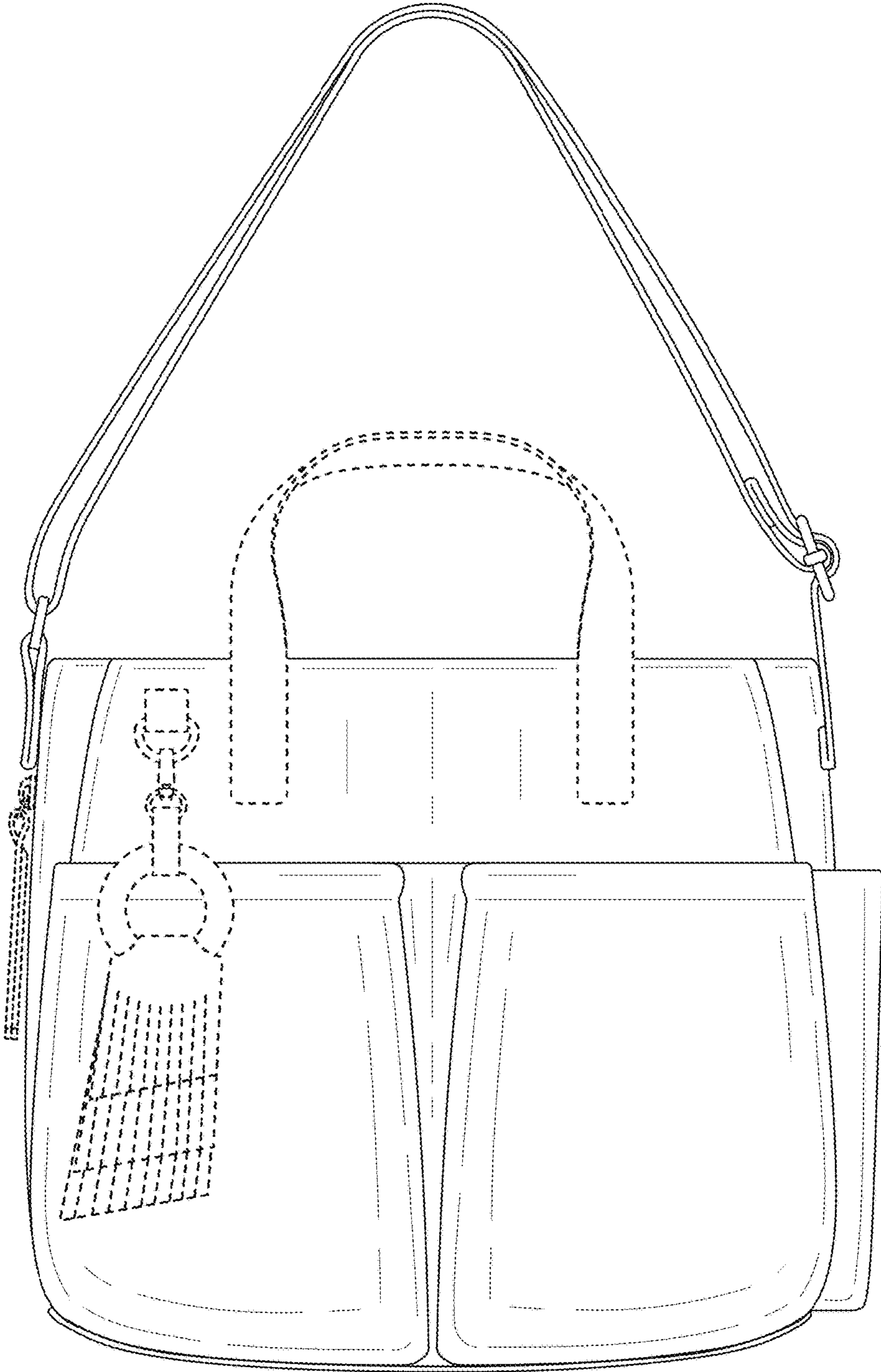


FIG. 6

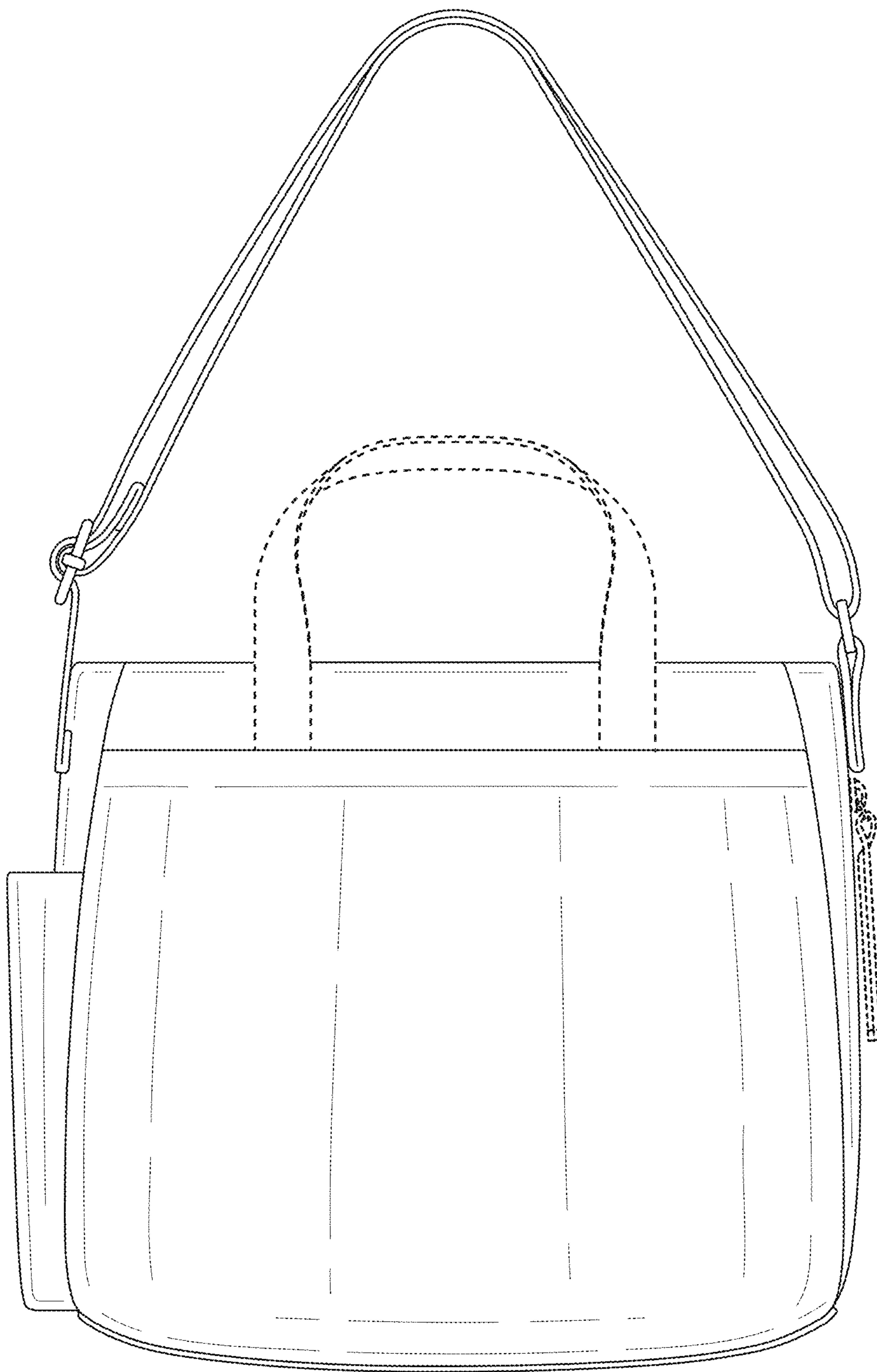


FIG. 7