



US00D831956S

(12) **United States Design Patent** (10) **Patent No.:** **US D831,956 S**
Marzin et al. (45) **Date of Patent:** **** Oct. 30, 2018**

(54) **SATCHEL**

(71) Applicant: **LIVINGPACKETS SA**, Pully (CH)

(72) Inventors: **Audrey Marzin**,
Sait-Julien-de-Concelles (FR);
Jean-François Chevalier, Paris (FR)

(**) Term: **15 Years**

(21) Appl. No.: **35/503,891**

(22) Filed: **Jul. 26, 2017**

(80) **Hague Agreement Data**

Int. Filing Date: **Jul. 26, 2017**

Int. Reg. No.: **DM/098122**

Int. Reg. Date: **Jul. 26, 2017**

Int. Reg. Pub. Date: **Nov. 3, 2017**

(30) **Foreign Application Priority Data**

Jan. 27, 2017 (CH) 2017-00053

(51) **LOC (11) Cl.** **03-01**

(52) **U.S. Cl.**
USPC **D3/243**

(58) **Field of Classification Search**
USPC D3/232, 233, 239, 240, 241, 242, 243,
D3/245, 246
CPC A45C 3/04; A45C 2200/10; A45C 3/001;
A45C 7/0086; A45C 13/02; A45C 13/10;
A45C 13/103; A45C 13/18; A45C
2003/007; A45C 3/06; A45C 5/02

See application file for complete search history.

(56) **References Cited**

U.S. PATENT DOCUMENTS

4,153,092	A *	5/1979	Haslam	A45C 3/00 150/108
D360,751	S *	8/1995	Nash	D3/233
6,230,887	B1 *	5/2001	Snider	A45C 3/02 206/232
D513,867	S *	1/2006	Stulman	D3/243
D765,969	S *	9/2016	Bonesi	D3/243
D770,176	S *	11/2016	Guyon	D3/243
D794,326	S *	8/2017	Nair	D3/243
D795,573	S *	8/2017	Bonesi	D3/245
D799,818	S *	10/2017	Nair	D3/243
D813,533	S *	3/2018	de Haan	D3/243
D814,178	S *	4/2018	Spaziani	D3/243
D816,330	S *	5/2018	Nair	D3/243
D818,706	S *	5/2018	Maier	D3/232

* cited by examiner

Primary Examiner — George D. Kirschbaum

Assistant Examiner — Jennifer L. Watkins

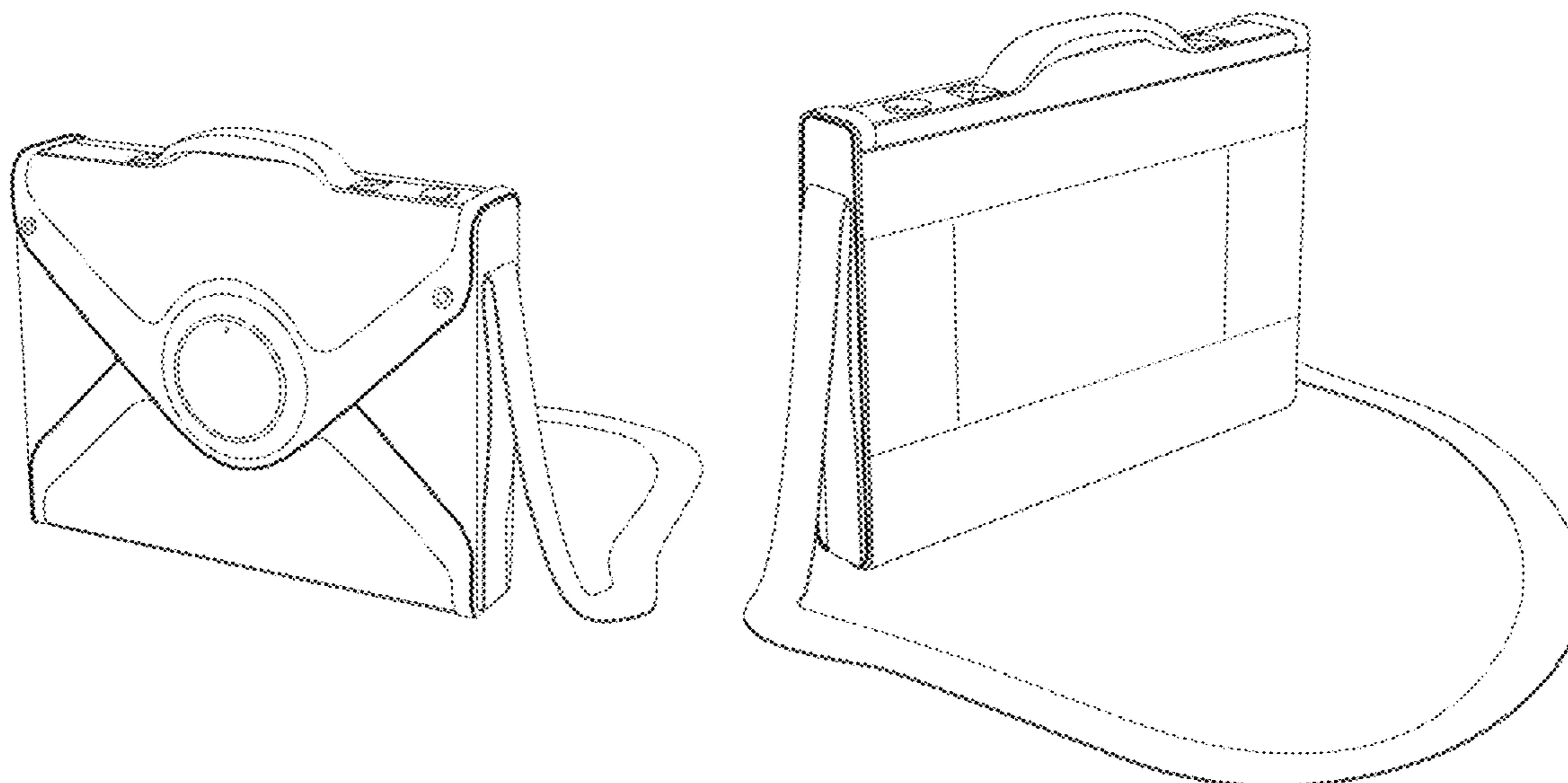
(57) **CLAIM**

The ornamental design for a satchel, as shown and described.

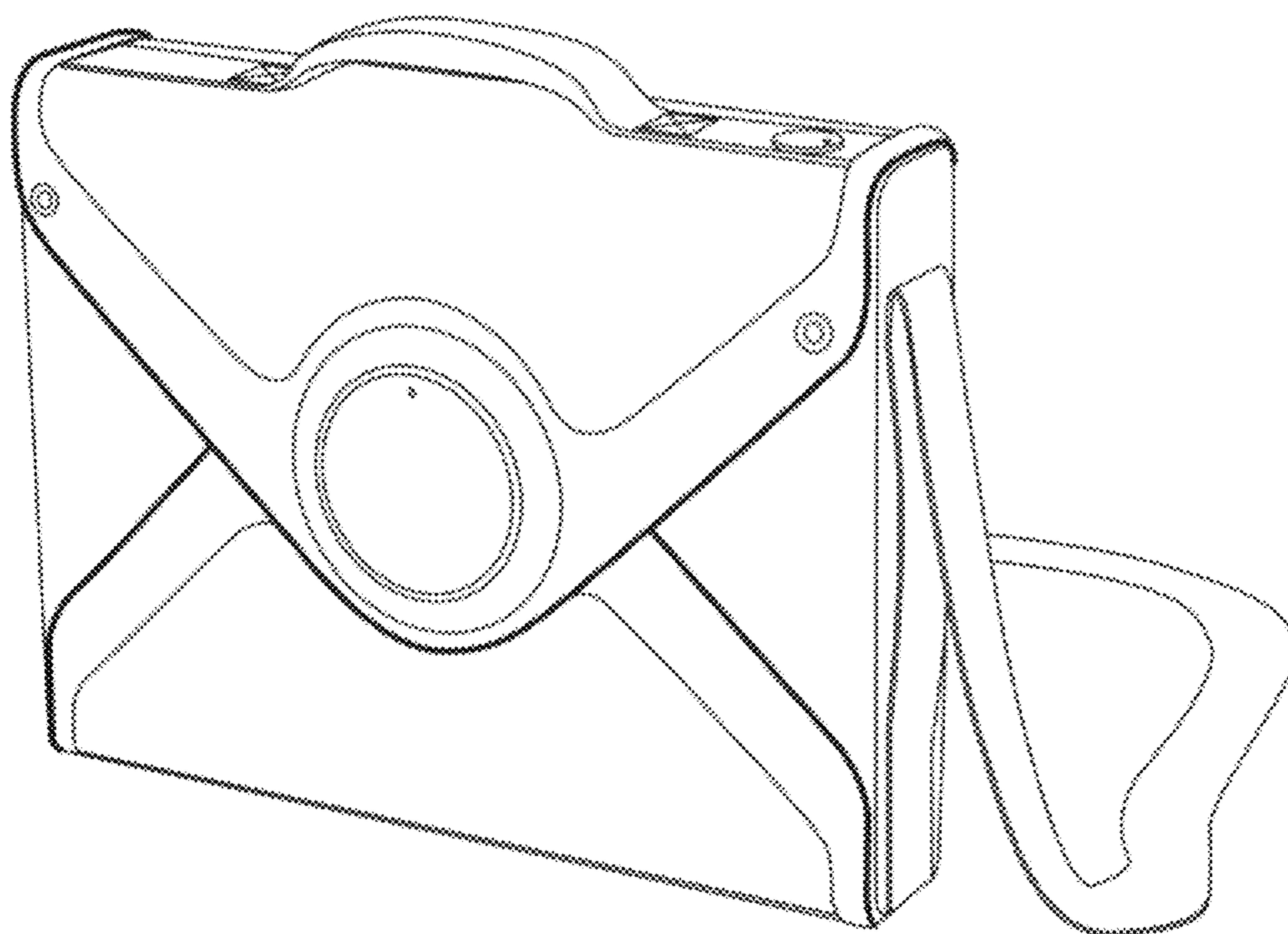
DESCRIPTION

1. Satchel
- 1.1 is a front perspective view of a satchel showing our new design.
- 1.2 is a back perspective view thereof;
- 1.3 is a back elevation view thereof;
- 1.4 is a front elevation view thereof;
- 1.5 is a bottom plan view thereof;
- 1.6 is a side elevation view thereof; and
- 1.7 is an opposite side elevation view thereof.

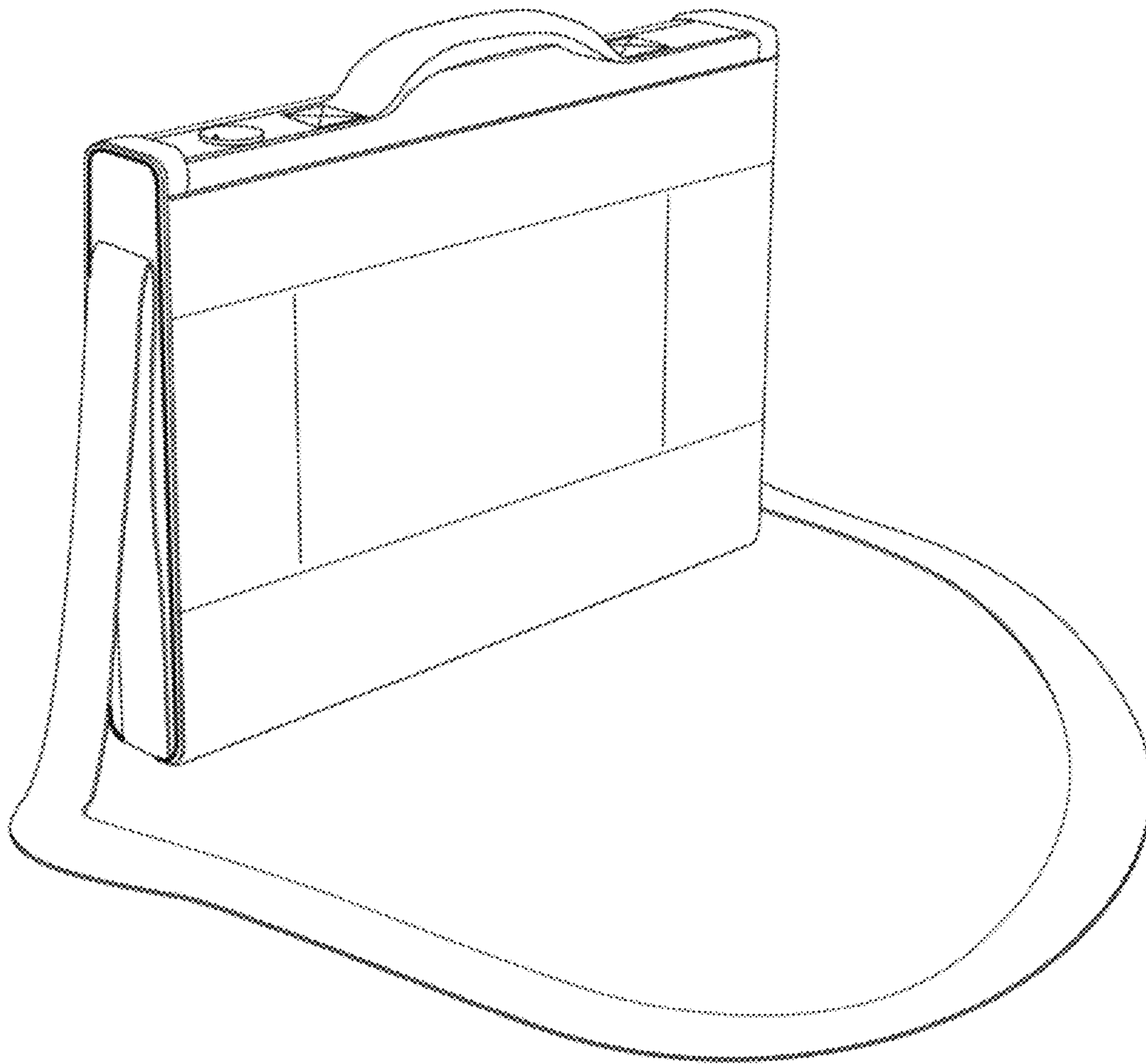
1 Claim, 7 Drawing Sheets



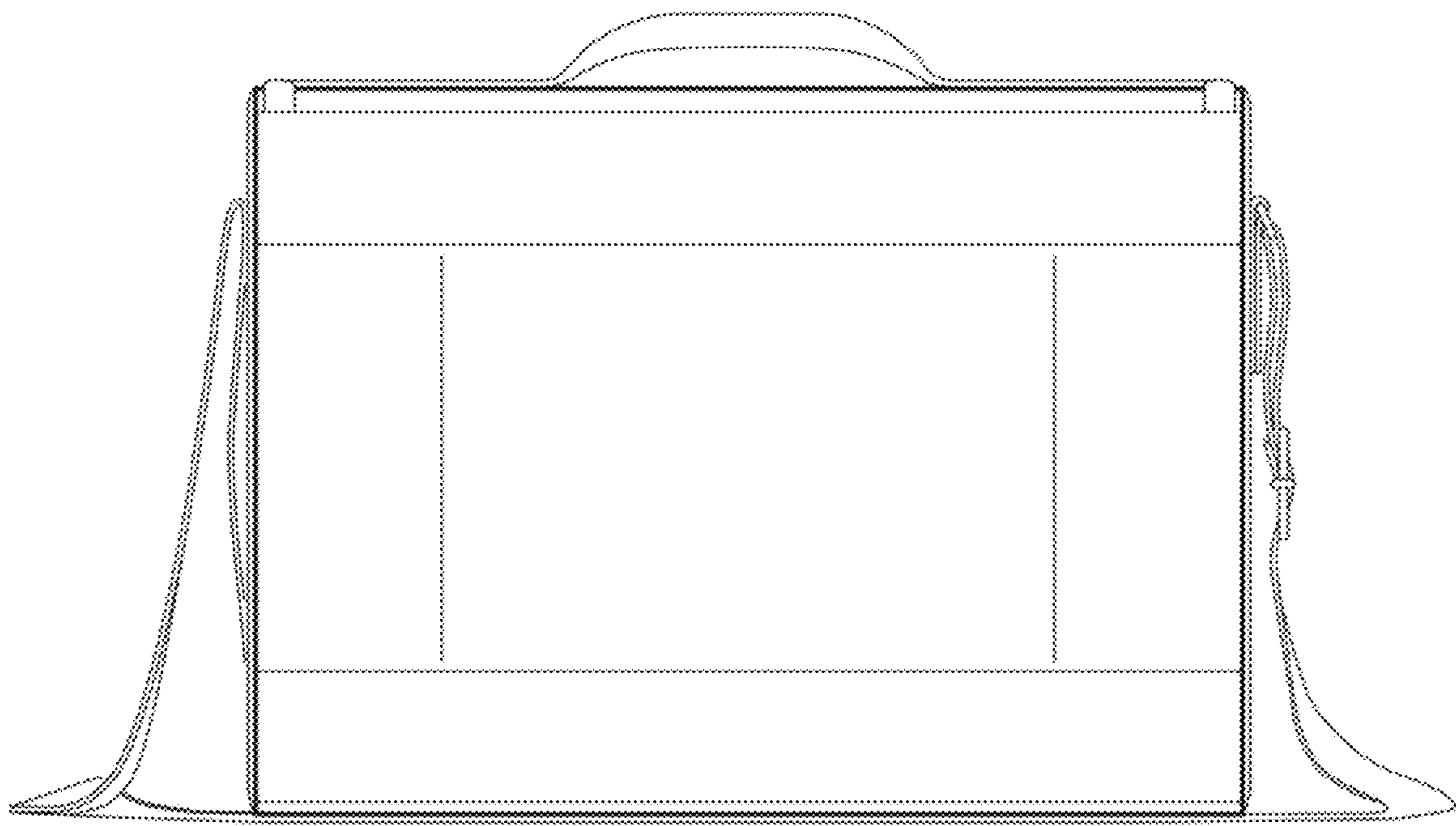
1.1



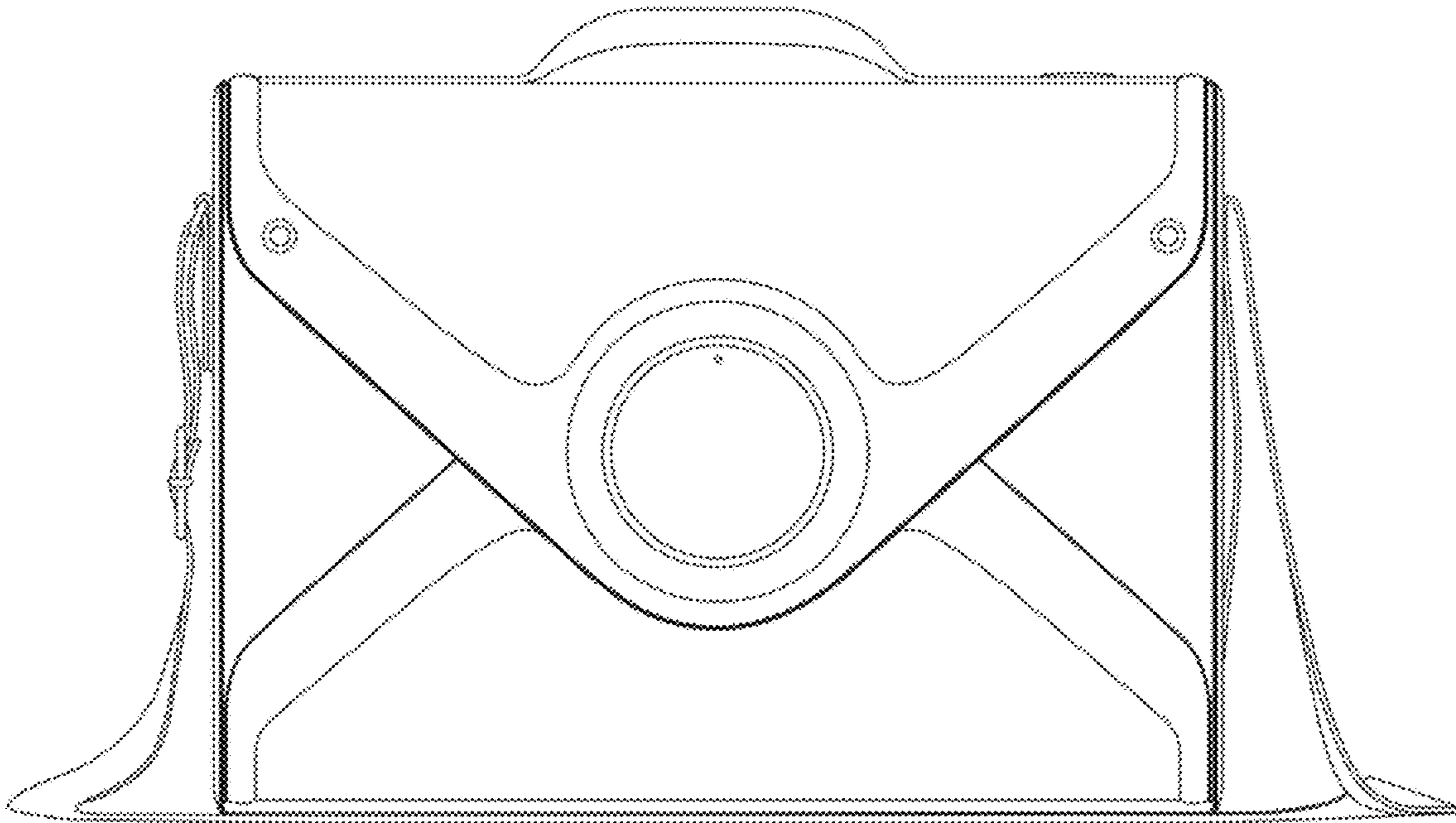
1.2



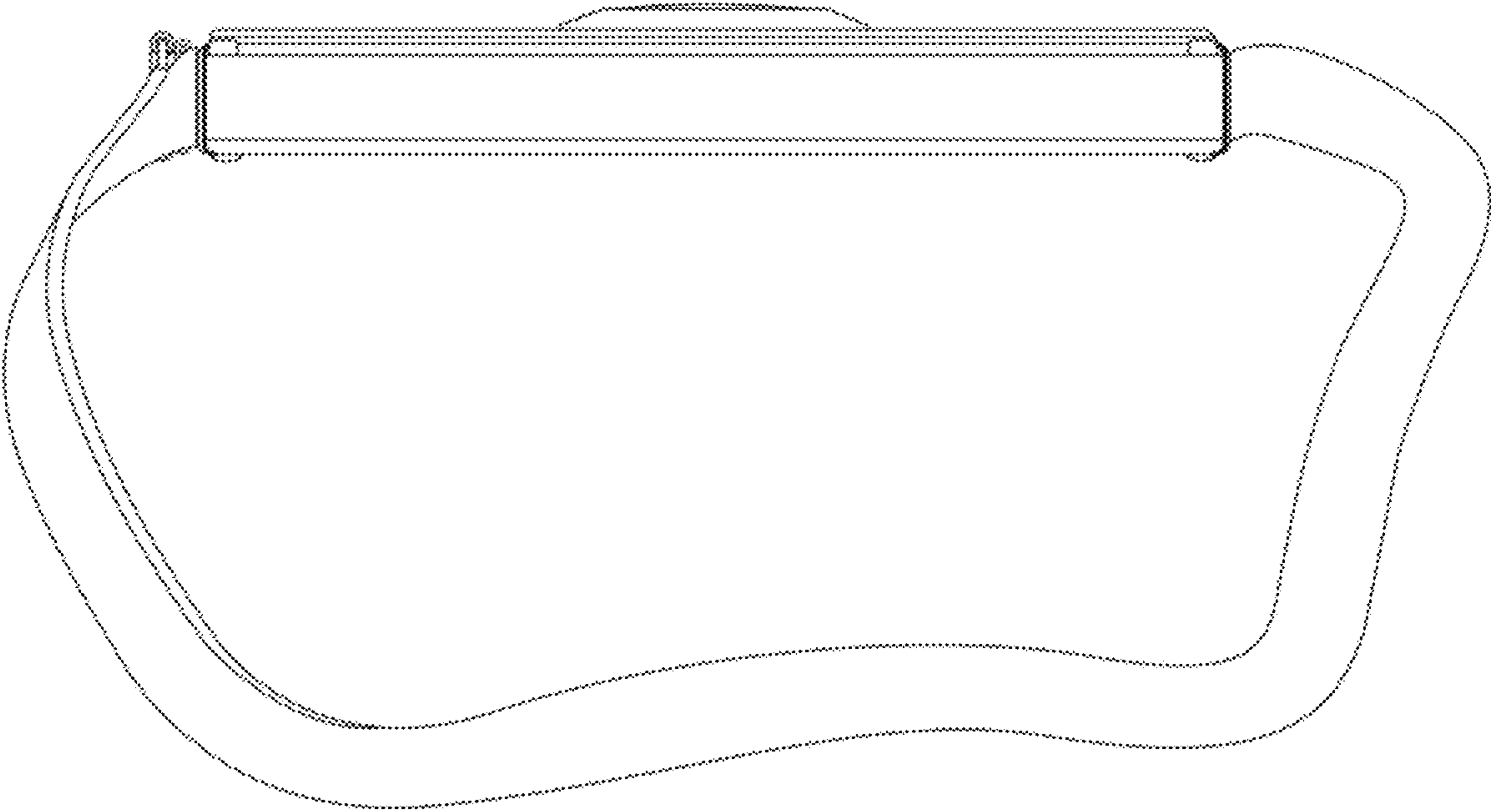
1.3



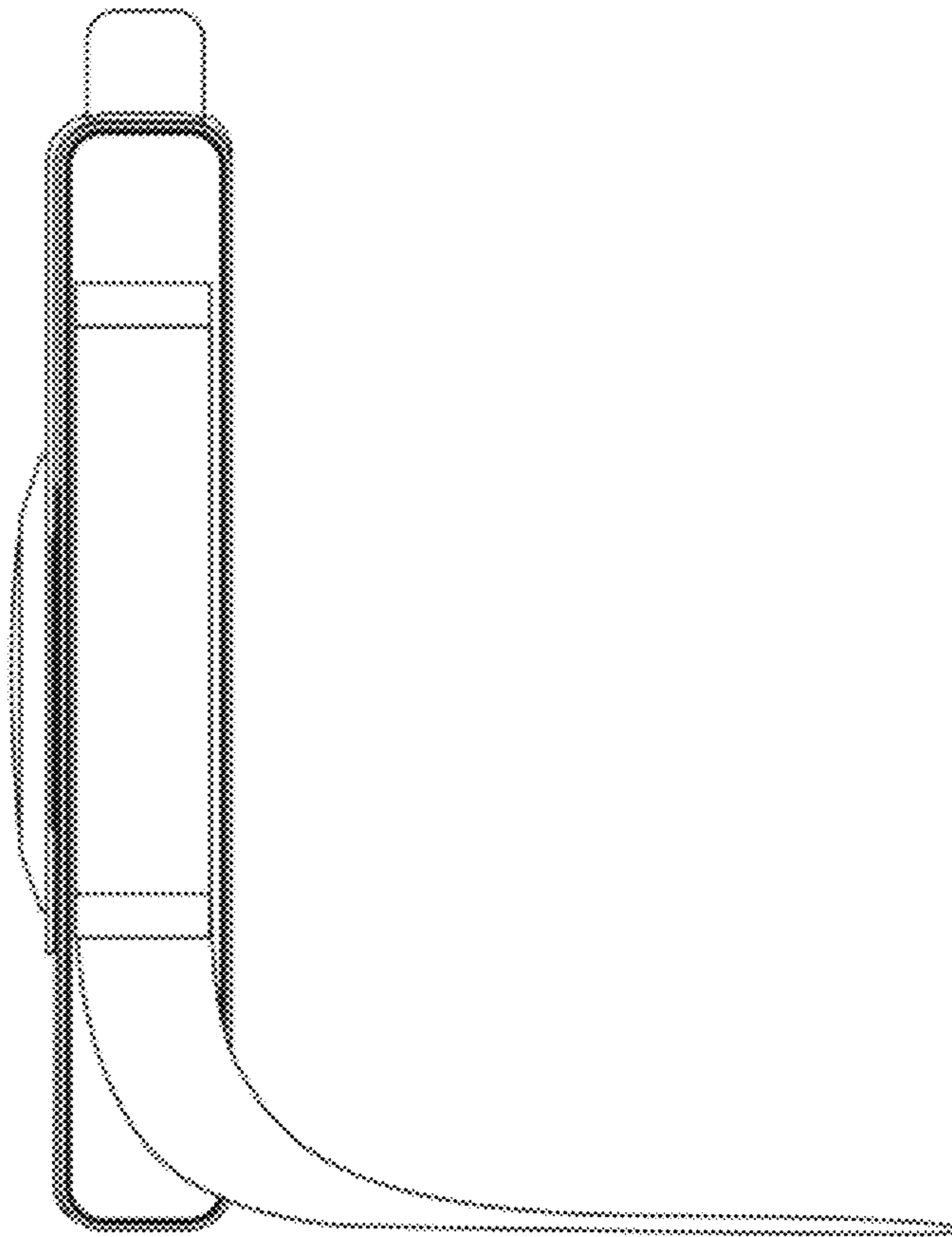
1.4



1.5



1.6



1.7

