



US00D831953S

(12) **United States Design Patent** (10) **Patent No.:** **US D831,953 S**
Dobbs (45) **Date of Patent:** **** Oct. 30, 2018**

(54) **CUTTER SHEATH**

(71) Applicant: **Benchmade Knife Co., Inc.**, Oregon City, OR (US)

(72) Inventor: **James Dobbs**, Oregon City, OR (US)

(73) Assignee: **Benchmade Knife Co., Inc.**, Oregon City, OR (US)

(**) Term: **15 Years**

(21) Appl. No.: **29/615,723**

(22) Filed: **Aug. 30, 2017**

(51) **LOC (11) Cl.** **03-01**

(52) **U.S. Cl.**
USPC **D3/220**

(58) **Field of Classification Search**
USPC D3/220, 20, 205, 215, 228, 273;
206/363; D7/637; 30/143, 146, 151,
30/162; 224/232
CPC B65D 59/00; B65D 59/06
See application file for complete search history.

(56) **References Cited**

U.S. PATENT DOCUMENTS

D439,039 S * 3/2001 Austin D3/220
D443,759 S * 6/2001 Bloch D3/220

D542,029 S * 5/2007 Schmidt D3/220
D639,549 S * 6/2011 Freeman D3/220
D692,657 S * 11/2013 Hyma D3/220
D701,695 S * 4/2014 Hyma D3/273

* cited by examiner

Primary Examiner — Catherine R Oliver-Garcia
(74) *Attorney, Agent, or Firm* — Schwabe Williamson & Wyatt, P.C.

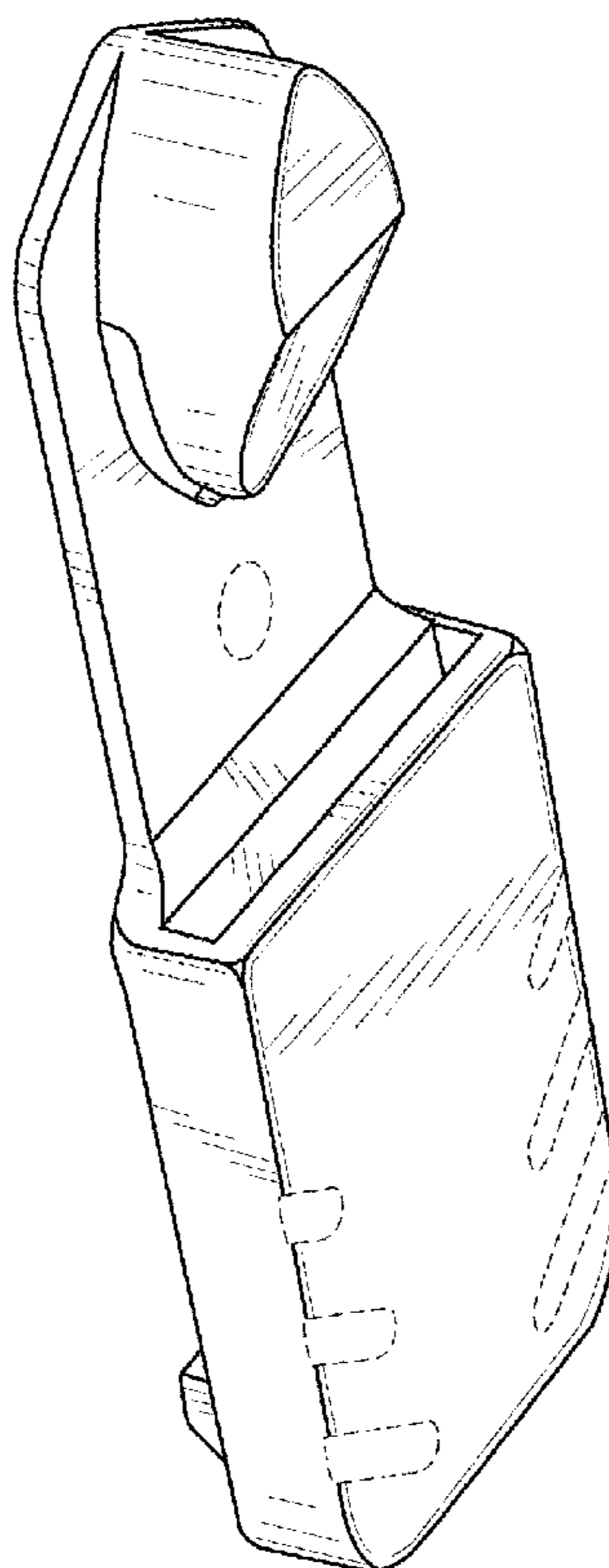
(57) **CLAIM**

I claim the ornamental design for a cutter sheath, as shown and described.

DESCRIPTION

FIG. 1 is a front perspective view of a cutter sheath, showing my new design;
FIG. 2 is a front view thereof;
FIG. 3 is a rear view thereof;
FIG. 4 is a left side view thereof;
FIG. 5 is a right side view thereof;
FIG. 6 is a top view thereof;
FIG. 7 is a bottom view thereof; and,
FIG. 8 is a perspective view thereof shown in a position of use.
The broken lines are provided for environmental purposes only and form no part of the claimed design.

1 Claim, 4 Drawing Sheets



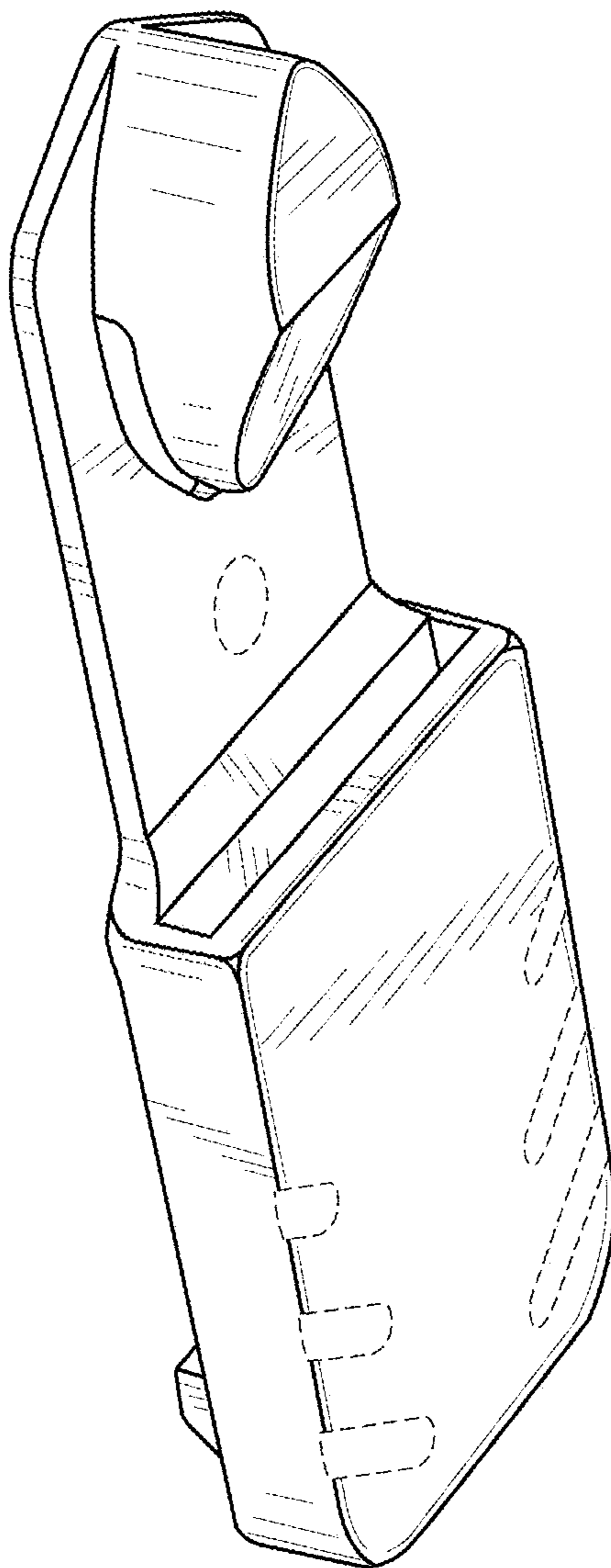


FIG. 1

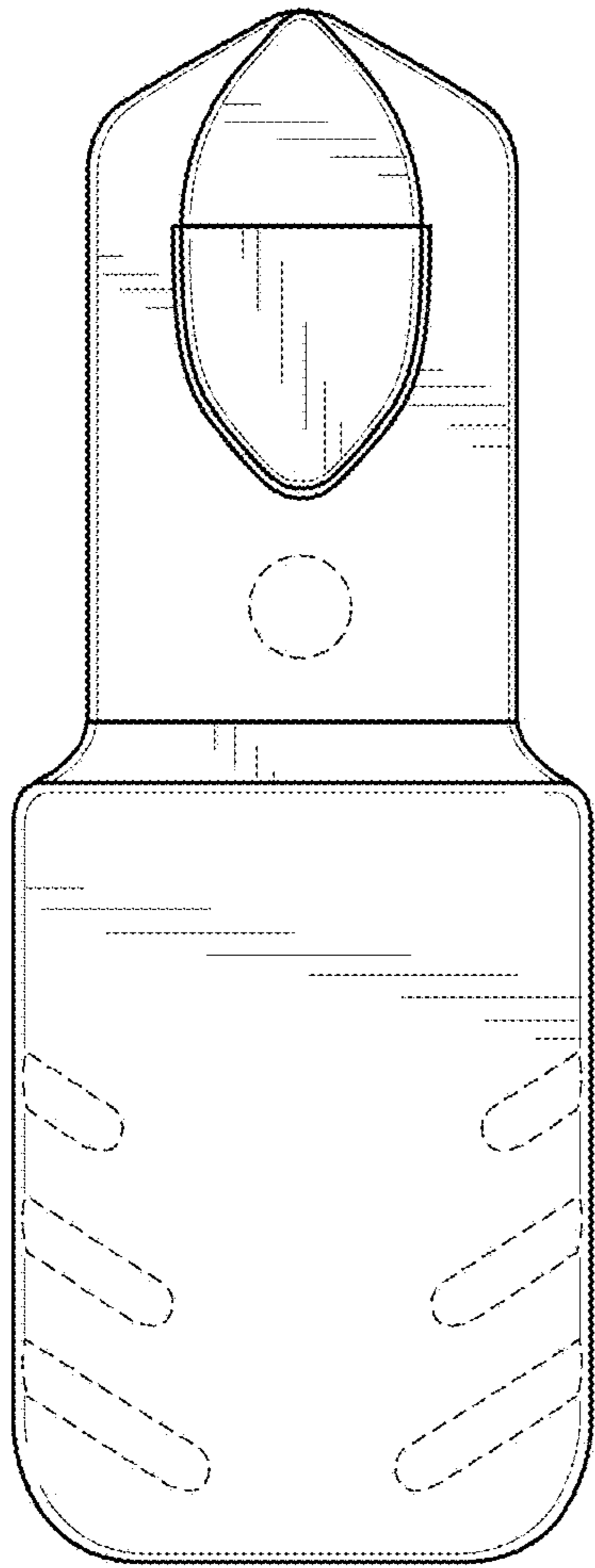


FIG. 2

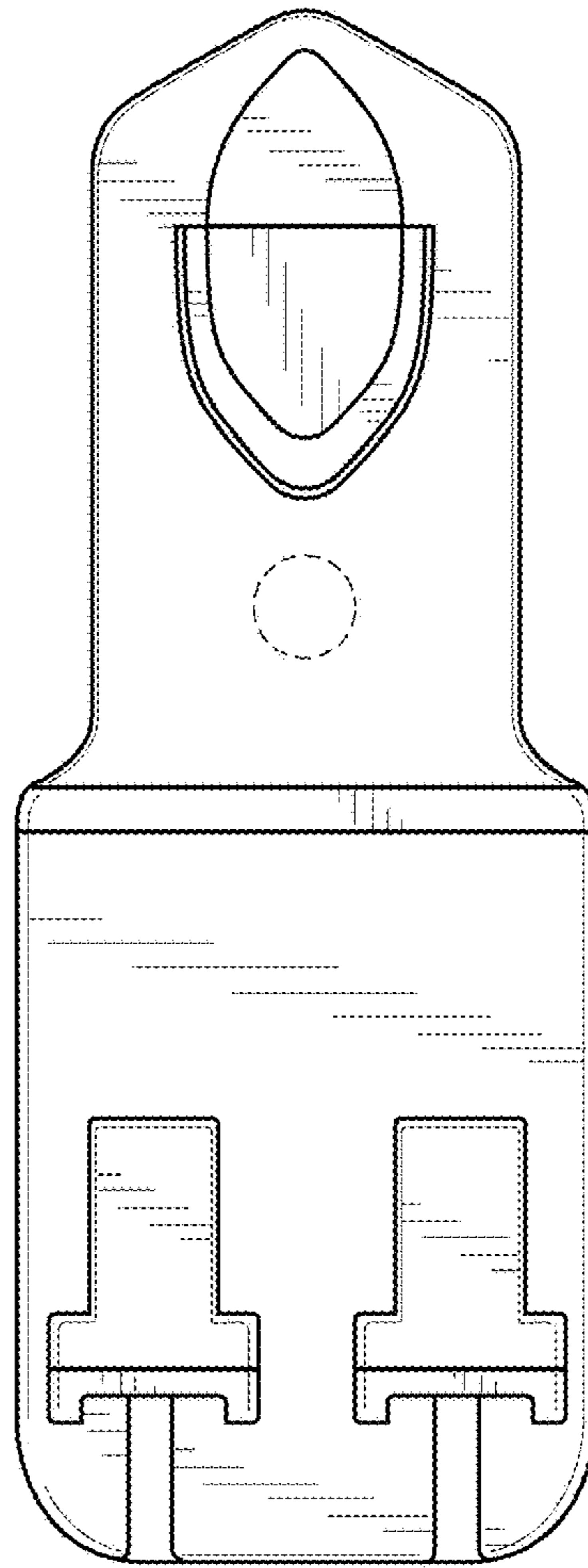


FIG. 3

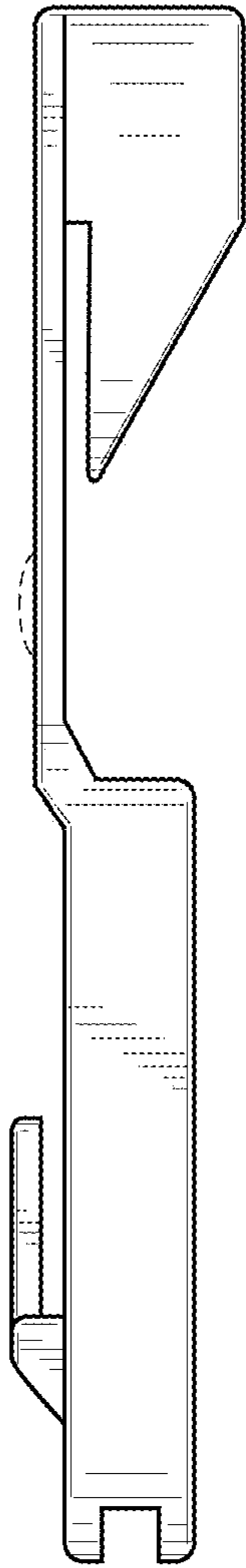


FIG. 4

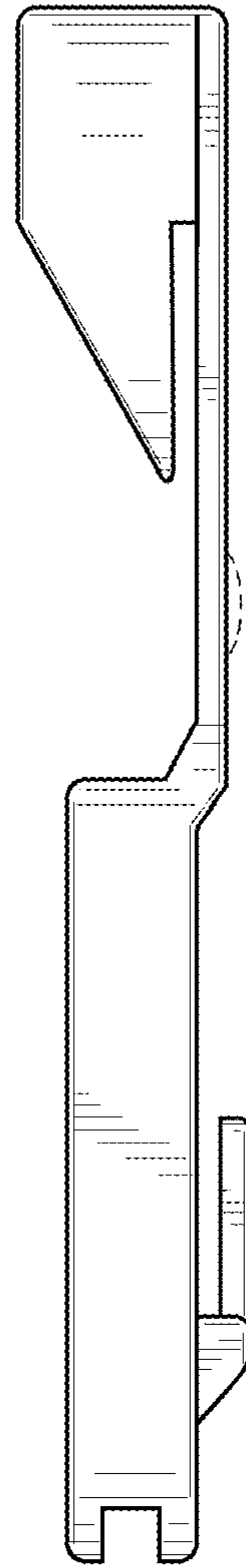


FIG. 5

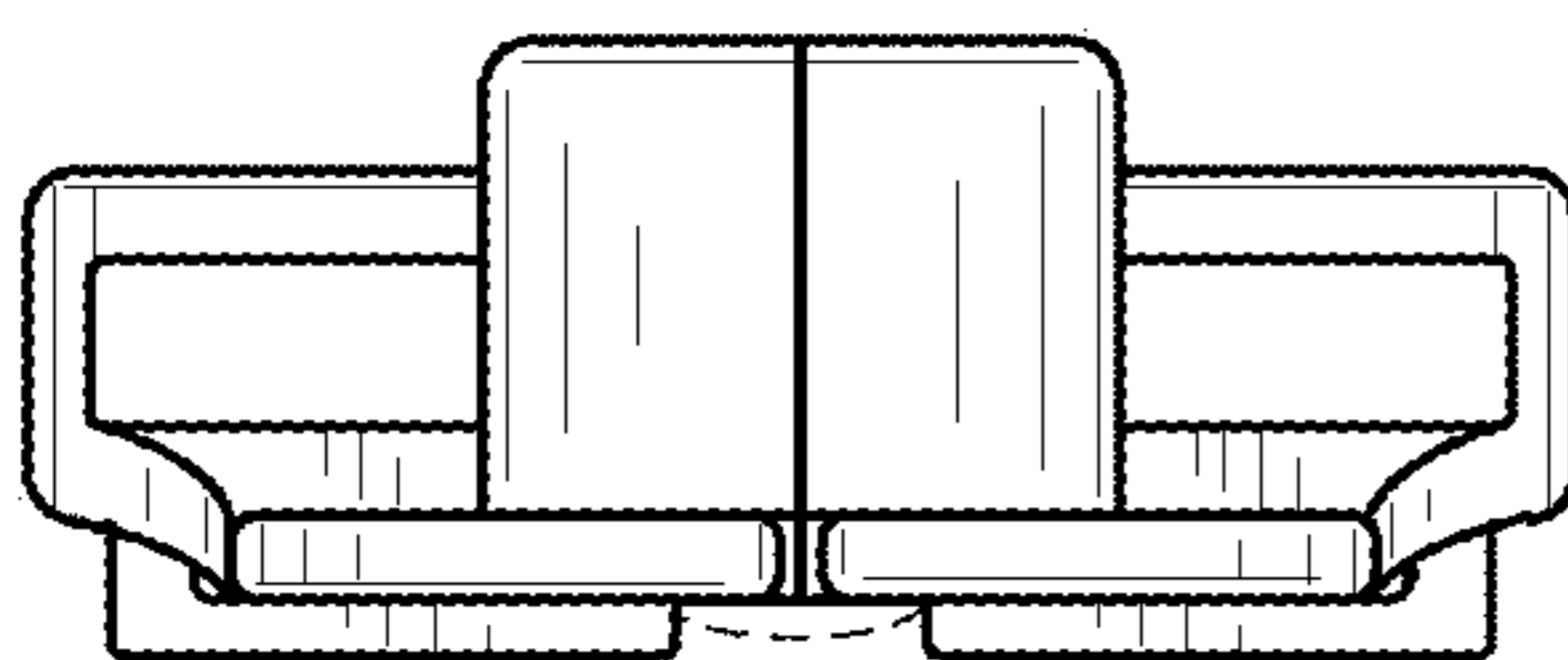


FIG. 6

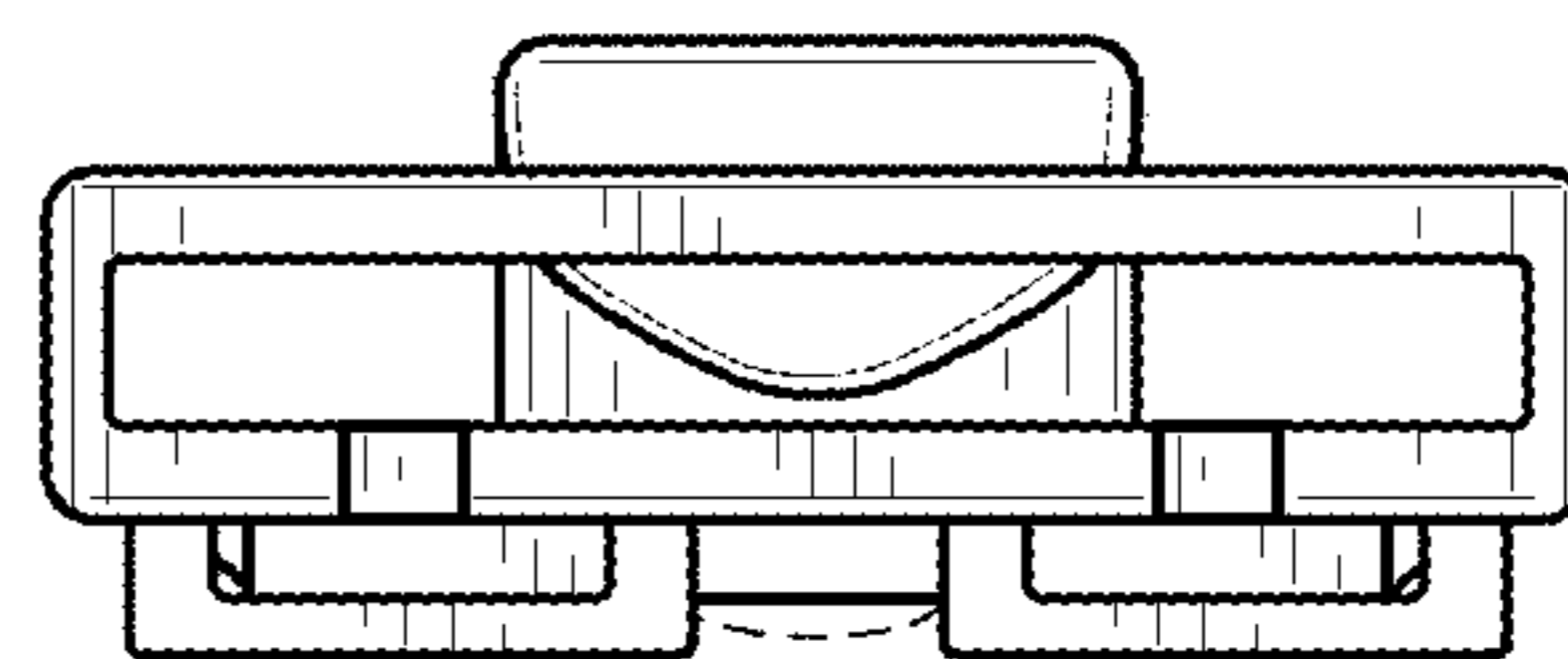


FIG. 7

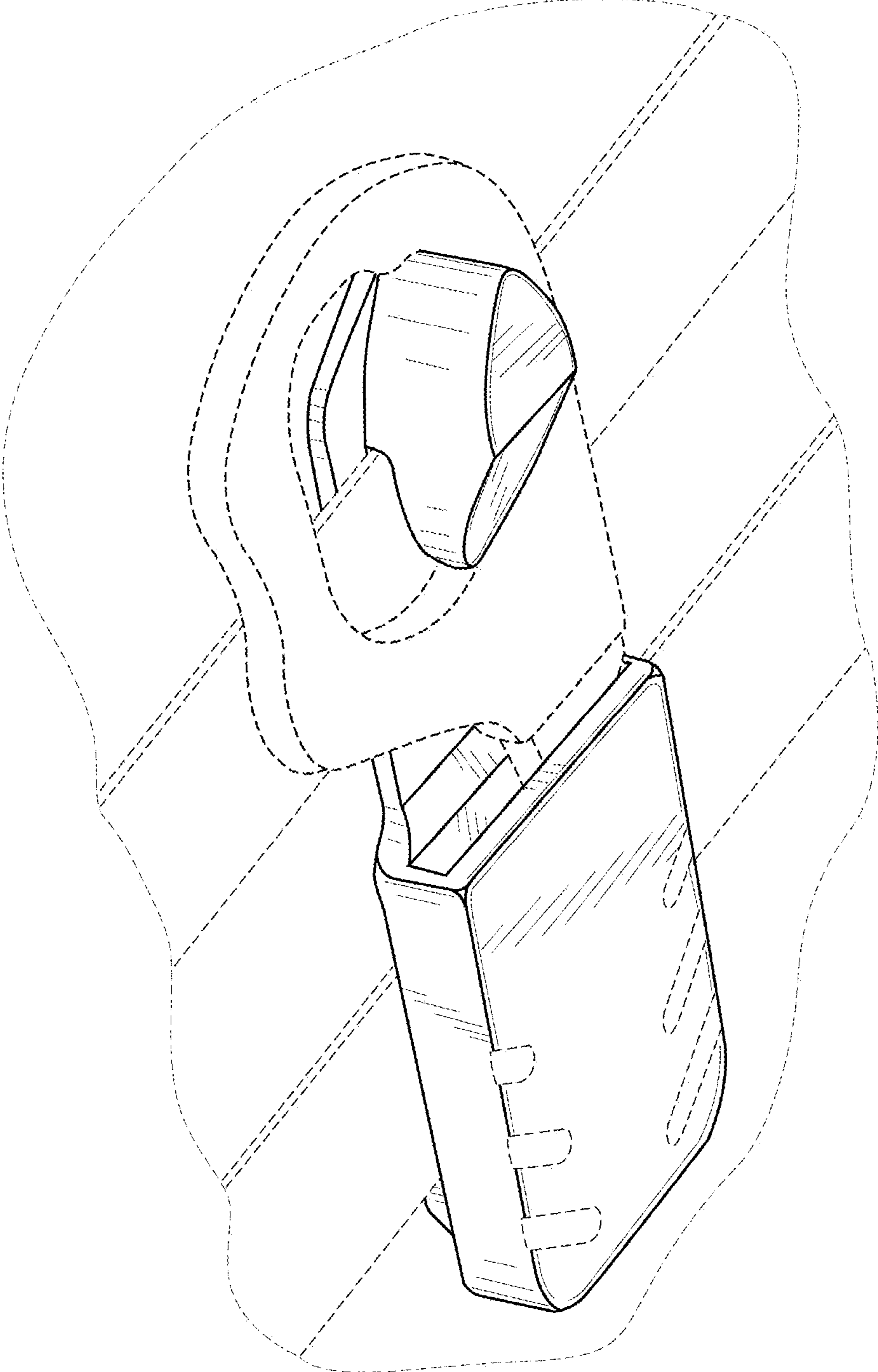


FIG. 8