



US00D831952S

(12) **United States Design Patent**  
**Pennington**

(10) **Patent No.:** **US D831,952 S**  
(45) **Date of Patent:** **\*\* Oct. 30, 2018**

- (54) **TOOL STORAGE BACKPACK**
- (71) Applicant: **Irwin Industrial Tool Company,**  
Huntersville, NC (US)
- (72) Inventor: **Stephen Pennington,** Kalamazoo, MI  
(US)
- (73) Assignee: **IRWIN INDUSTRIAL TOOL**  
**COMPANY,** Huntersville, NC (US)
- (\*\*) Term: **15 Years**
- (21) Appl. No.: **29/585,159**
- (22) Filed: **Nov. 21, 2016**
- (51) **LOC (11) Cl.** ..... **03-01**
- (52) **U.S. Cl.**  
USPC ..... **D3/217**
- (58) **Field of Classification Search**  
USPC ..... D3/201, 216, 217, 254, 272, 279, 294;  
D6/336, 368  
CPC ..... A45F 3/04; A45F 4/02; A45F 2003/045;  
A45F 2003/125; A45F 3/02; A45F  
2003/127; A45F 3/047; A45F 3/12; A45F  
2003/001  
See application file for complete search history.

- D690,095 S \* 9/2013 Garcia ..... D3/217
- D748,910 S \* 2/2016 Ford ..... D3/217
- D787,816 S \* 5/2017 Slimane ..... D3/217
- 2002/0139820 A1\* 10/2002 Godshaw ..... A45F 3/04  
224/153
- 2007/0062994 A1\* 3/2007 Shoemaker ..... A41D 13/0012  
224/576

\* cited by examiner

*Primary Examiner* — George D. Kirschbaum  
*Assistant Examiner* — Jennifer L. Watkins

(74) *Attorney, Agent, or Firm* — Bruce S. Shapiro

(57) **CLAIM**

The ornamental design for a “tool storage backpack,” as shown and described.

**DESCRIPTION**

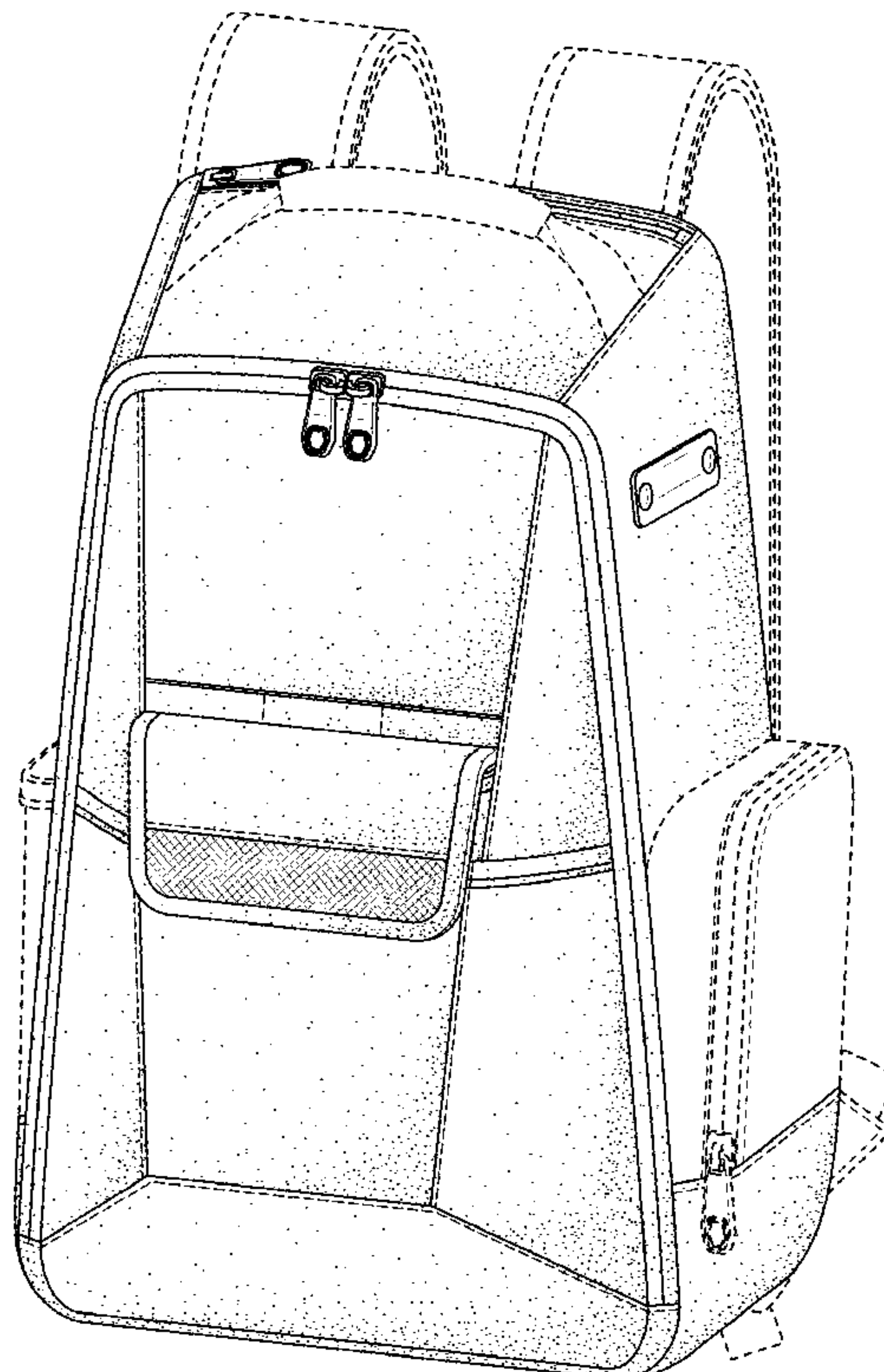
FIG. 1 is a perspective view;  
FIG. 2 is a front view;  
FIG. 3 is a back view;  
FIG. 4 is a right view;  
FIG. 5 is a left view;  
FIG. 6 is a top view; and,  
FIG. 7 is a bottom view.  
The broken lines in the figures are for the purpose of illustrating stitching and portions of the tool storage backpack and form no part of the claim.

**1 Claim, 7 Drawing Sheets**

(56) **References Cited**

**U.S. PATENT DOCUMENTS**

- D396,952 S \* 8/1998 Liu ..... D3/216
- D665,573 S \* 8/2012 Crandall ..... D3/217



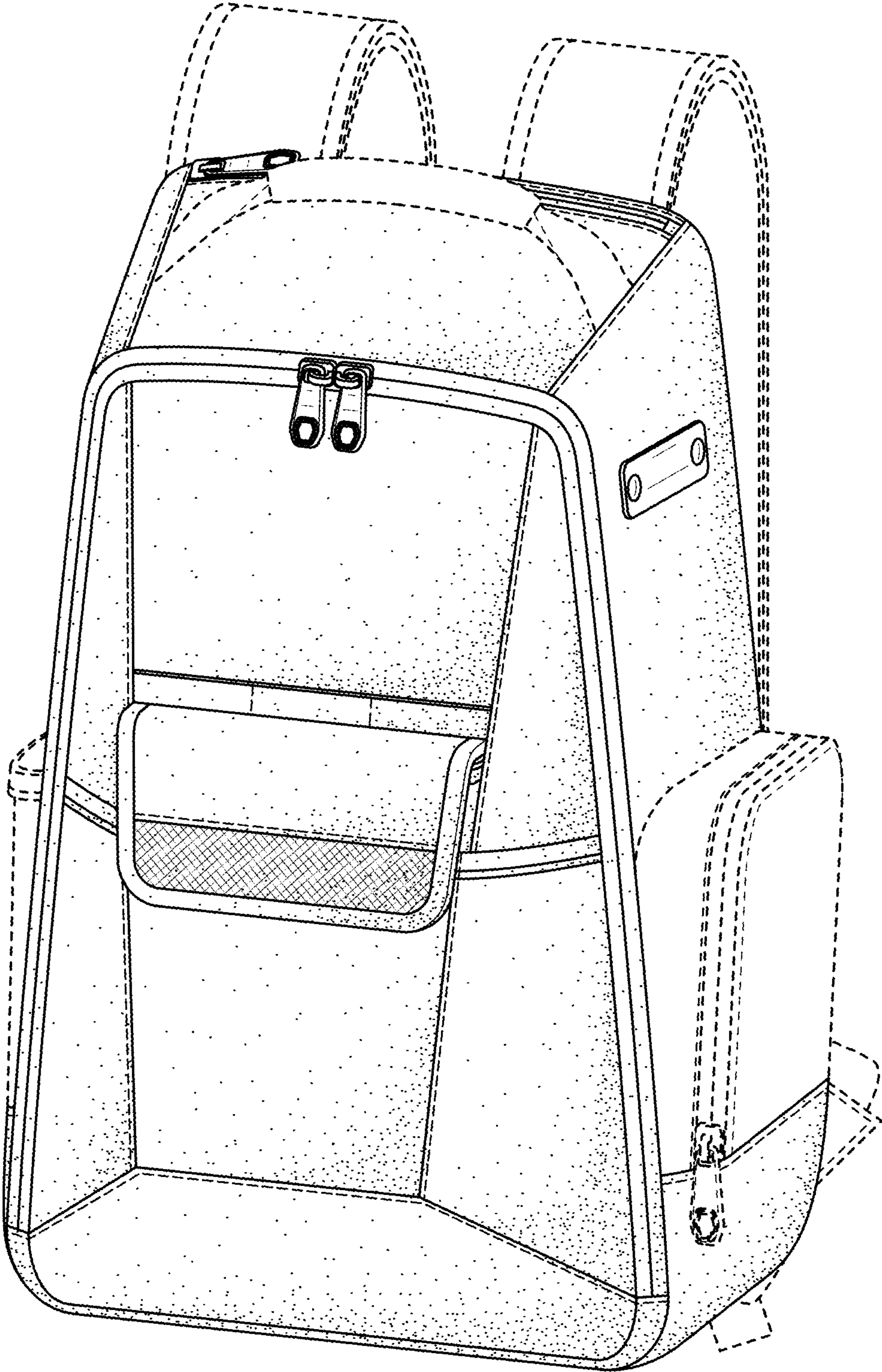


FIG. 1



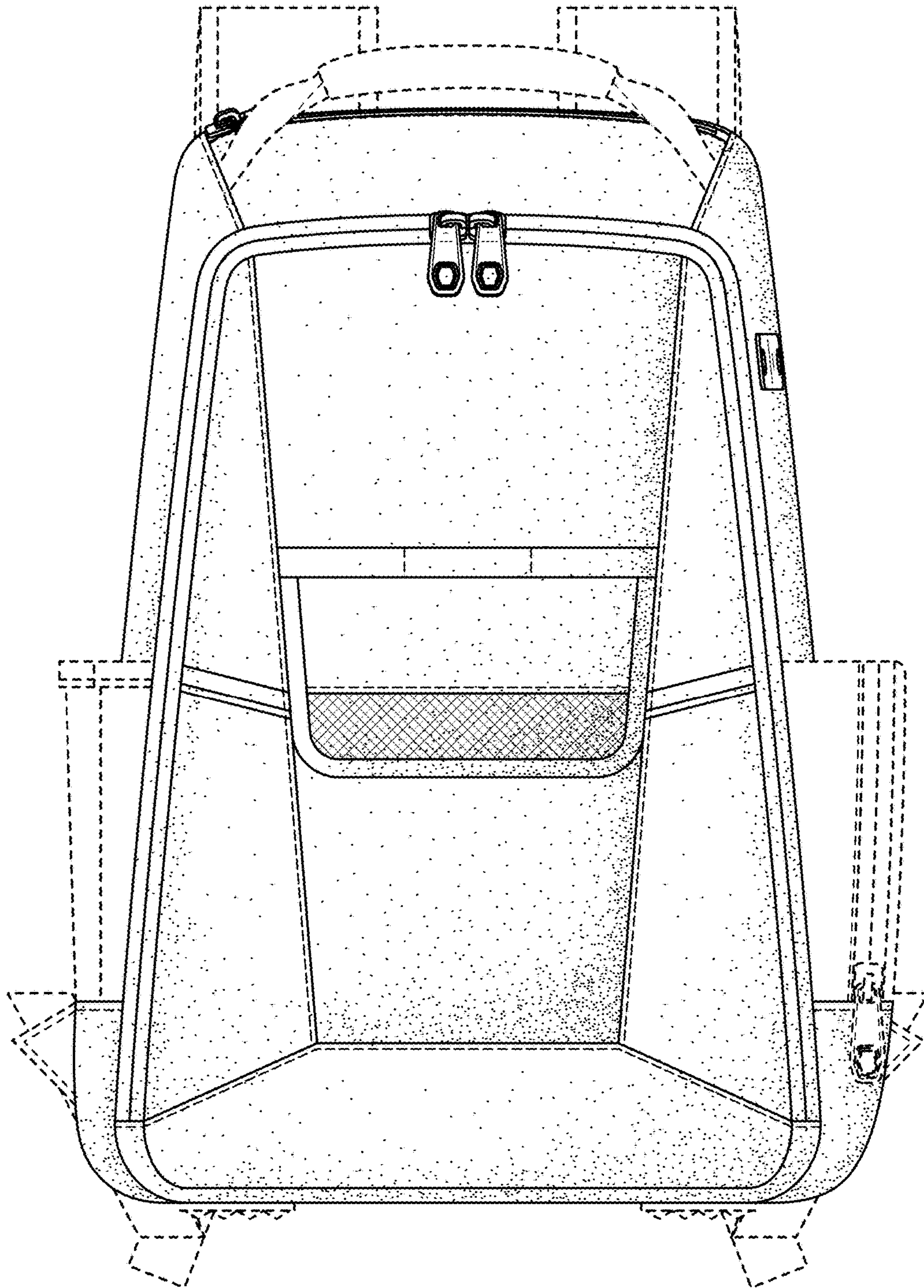


FIG. 2

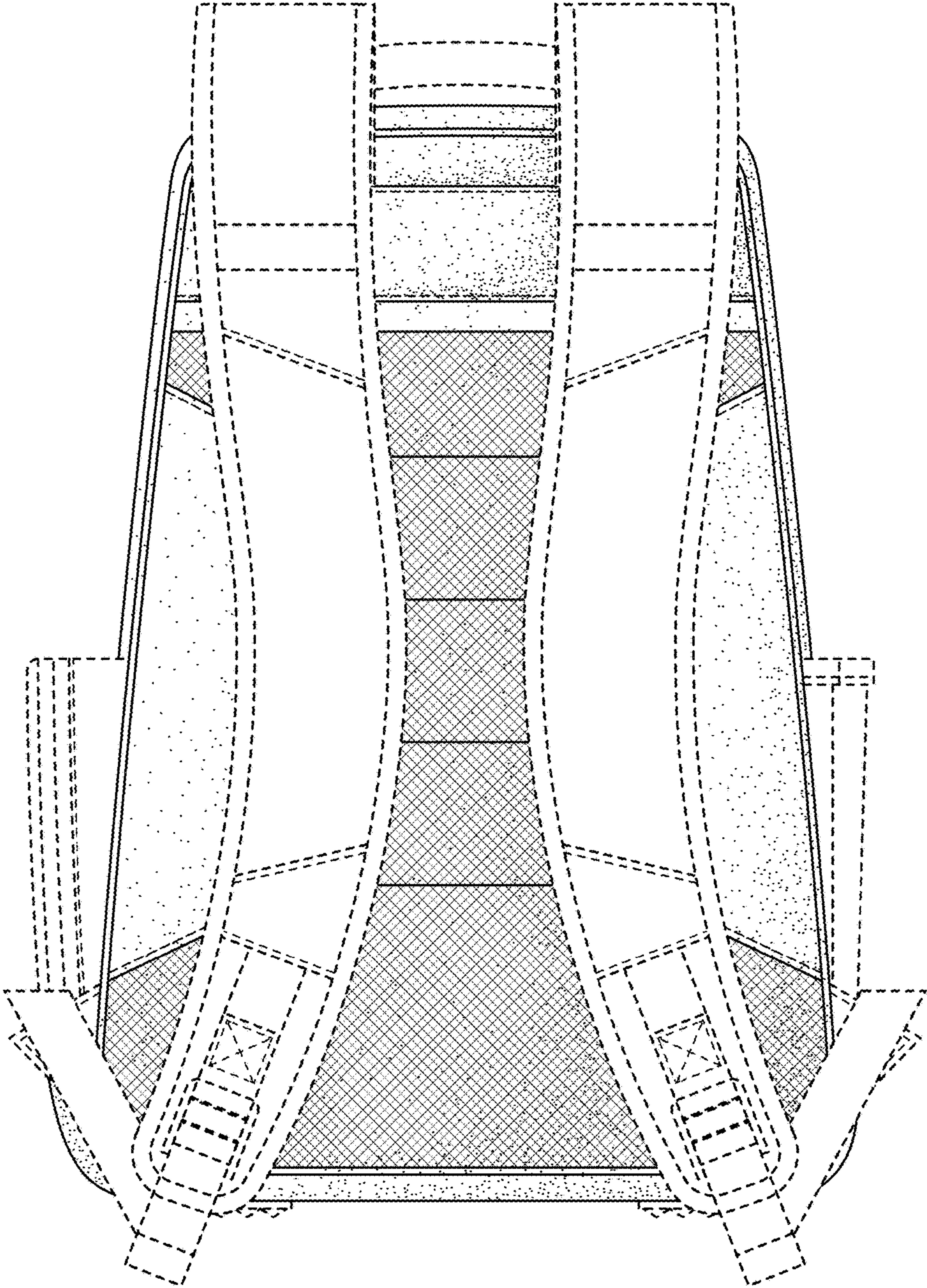


FIG. 3



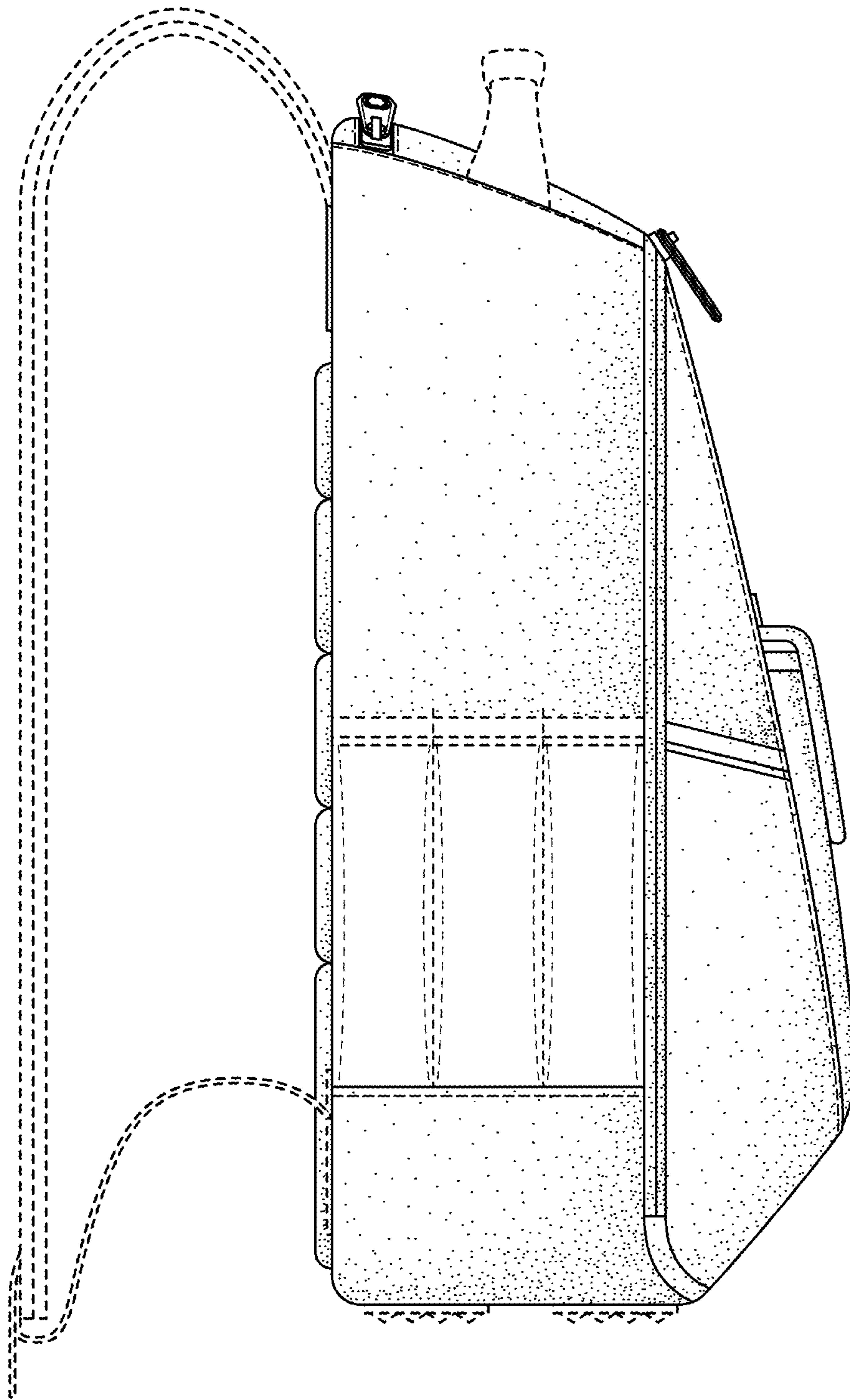


FIG. 4

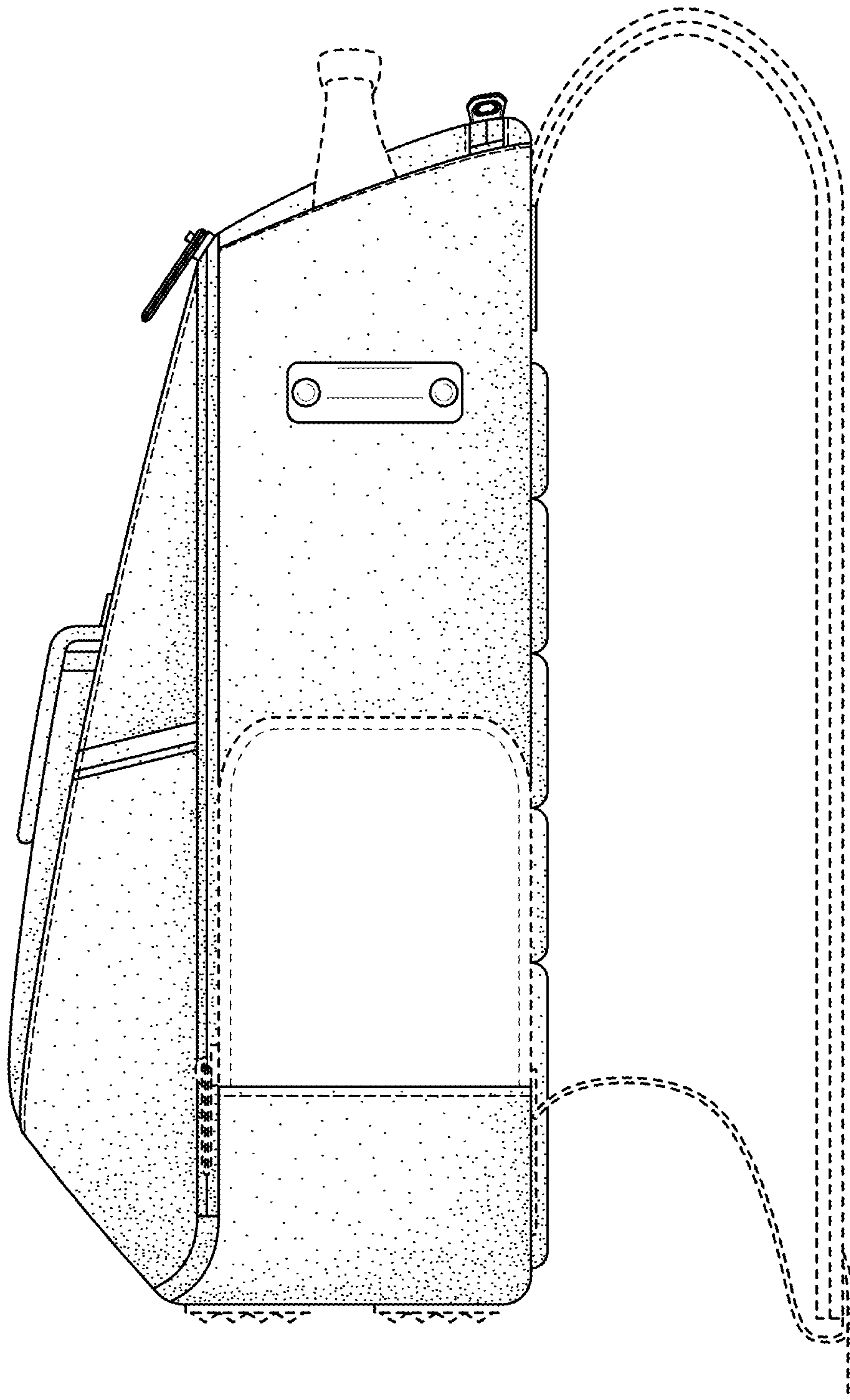


FIG. 5

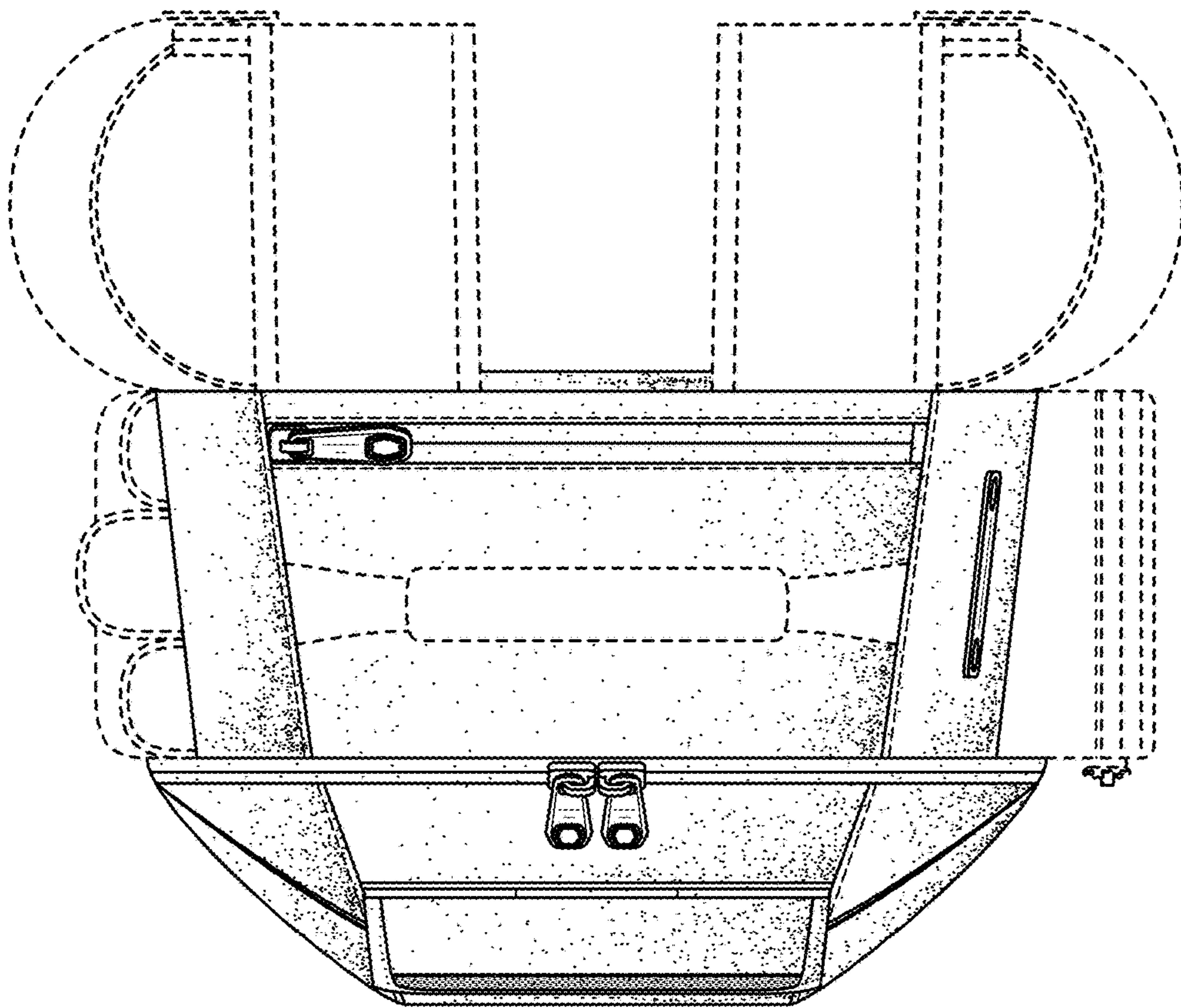


FIG. 6

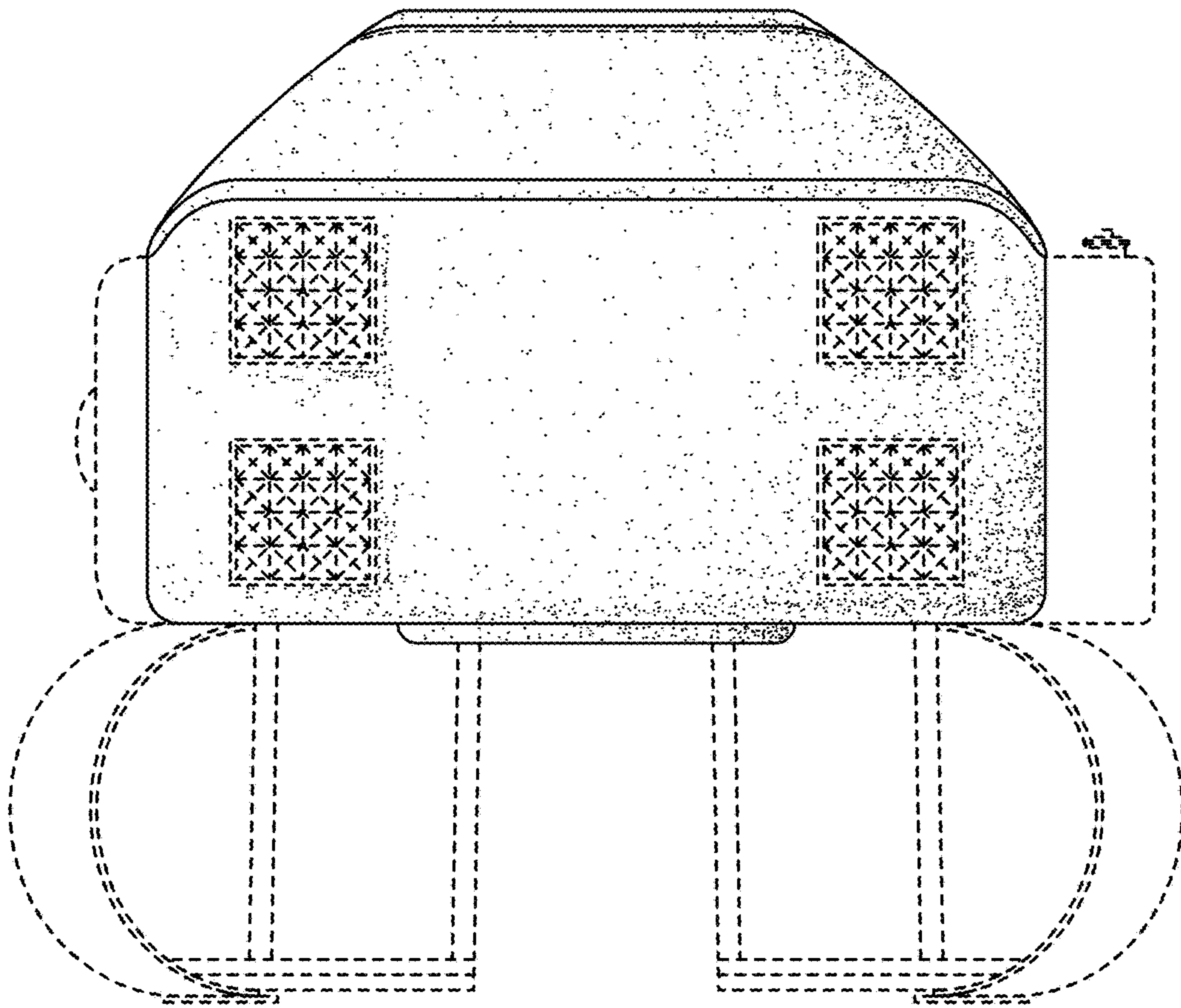


FIG. 7