



US00D831951S

(12) **United States Design Patent**  
**Hollinger**

(10) **Patent No.:** **US D831,951 S**  
(45) **Date of Patent:** **\*\* Oct. 30, 2018**

- (54) **UMBRELLA HANDLE WITH LIGHT**
- (71) Applicant: **E. MISHAN & SONS, INC.**, New York, NY (US)
- (72) Inventor: **Fred Hollinger**, Monroe Township, NJ (US)
- (73) Assignee: **E. MISHAN & SONS, INC.**, New York, NY (US)
- (\*\*) Term: **15 Years**
- (21) Appl. No.: **29/621,503**
- (22) Filed: **Oct. 9, 2017**
- (51) **LOC (11) Cl.** ..... **03-03**
- (52) **U.S. Cl.**  
USPC ..... **D3/13**
- (58) **Field of Classification Search**  
USPC ..... D3/5, 6, 7, 10, 12, 13, 14; D8/107;  
D10/104.1, 114.1, 114.2; D26/44, 49, 51  
CPC ..... A45B 3/02; A45B 9/02; A45B 2200/1009;  
A45B 2200/1018; A45B 2200/1081  
See application file for complete search history.

- 2,777,051 A \* 1/1957 Luchansky ..... A45B 3/04  
200/60
- 3,281,586 A \* 10/1966 Gonzalez ..... A45B 3/04  
135/16
- 3,435,836 A 4/1969 Vanzini  
(Continued)

**FOREIGN PATENT DOCUMENTS**

- CA 2 586 478 3/2012
  - CA 2 471 479 9/2012
- (Continued)

*Primary Examiner* — John Windmuller  
*Assistant Examiner* — Steven J Czyn  
 (74) *Attorney, Agent, or Firm* — Notaro, Michalos & Zaccaria P.C.

(57) **CLAIM**

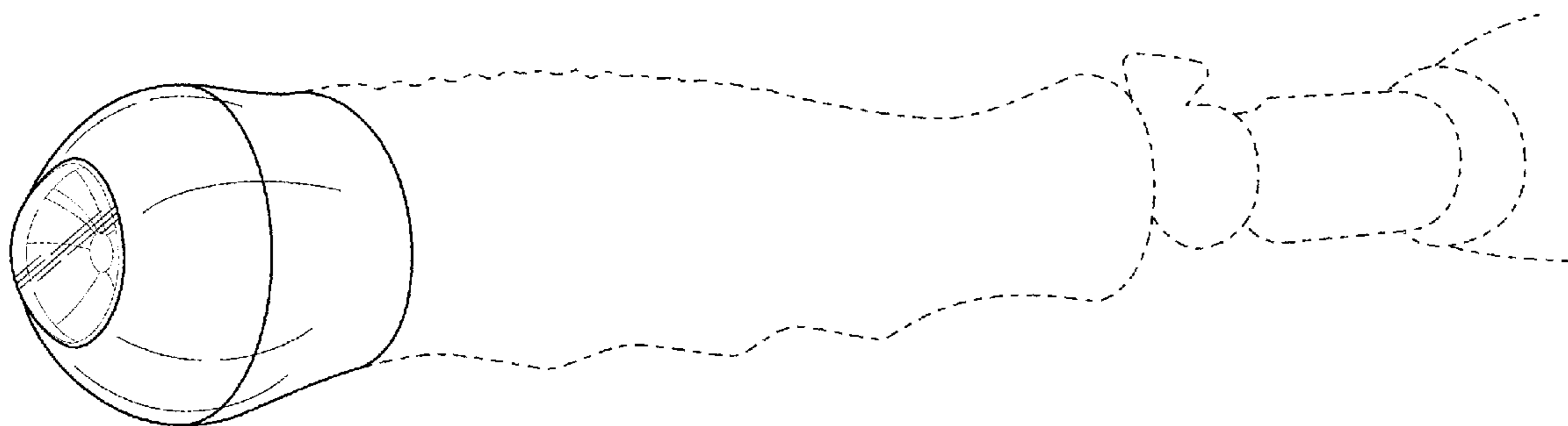
The ornamental design for an umbrella handle with light, as shown and described.

**DESCRIPTION**

FIG. 1 is a perspective view of an umbrella handle with light showing my design therefor;  
 FIG. 2 is a front view thereof;  
 FIG. 3 is a front view of the umbrella handle with light, with a light shown in an alternate position;  
 FIG. 4 is a front view of the umbrella handle with light, with a light shown in an alternate position;  
 FIG. 5 is a front view of the umbrella handle with light, with a light shown in an alternate position;  
 FIG. 6 is a front view of the umbrella handle with light, with a light shown in an alternate position;  
 FIG. 7 is a front view of the umbrella handle with light, with a light shown in an alternate position;  
 FIG. 8 is a right side view of the umbrella handle with light;  
 FIG. 9 is a top view thereof; and,  
 FIG. 10 is bottom view thereof.  
 The broken lines depict portions of the article that form no part of the claimed design.

**1 Claim, 4 Drawing Sheets**

- (56) **References Cited**  
U.S. PATENT DOCUMENTS
- 577,879 A \* 3/1897 Packard et al. .... A45B 3/00  
135/66
- 907,231 A 3/1908 Hayden
- 1,885,968 A 2/1930 Wiedemann
- 1,836,034 A \* 12/1931 Luchansky ..... F21V 33/00  
362/102
- 1,964,292 A 8/1933 Livingston
- 2,492,457 A 4/1947 Benton
- 2,725,066 A 1/1951 Estes
- 2,649,103 A 2/1951 Militano
- 2,621,669 A 4/1951 Mayer
- 2,711,182 A 8/1954 Kiel



(56)

References Cited

U.S. PATENT DOCUMENTS

3,534,752 A 10/1970 Vanzini  
 3,709,238 A 1/1973 Leopoldi  
 3,732,882 A 5/1973 Kida  
 3,902,514 A 9/1975 Weber  
 4,007,752 A 2/1977 Weber  
 4,077,421 A 3/1978 Schultes  
 4,350,175 A 9/1982 DeMarco  
 D272,676 S \* 2/1984 MacDonald ..... D26/38  
 D294,868 S \* 3/1988 Sim ..... D26/38  
 4,780,980 A \* 11/1988 McCullough ..... A01K 87/08  
 43/17.5  
 4,842,003 A 6/1989 Baldwin  
 4,966,179 A 10/1990 Baldwin  
 D336,361 S \* 6/1993 Stanwood ..... D26/38  
 5,370,144 A 5/1994 Yang  
 D353,041 S \* 12/1994 Stenberg ..... D26/38  
 D360,044 S \* 7/1995 Tillery ..... D26/49  
 5,740,824 A 4/1998 Tang  
 5,865,200 A 2/1999 Kuang  
 D410,328 S \* 6/1999 Alajajian ..... D3/13  
 5,909,746 A 6/1999 Doster  
 D422,135 S \* 4/2000 Man ..... D3/209  
 D422,784 S \* 4/2000 Au ..... D3/5  
 D429,292 S \* 8/2000 Urvoy ..... D21/561  
 D430,726 S \* 9/2000 Burbrink ..... D26/38  
 D431,900 S \* 10/2000 San ..... D3/13  
 D433,793 S \* 11/2000 San ..... D3/12  
 D483,558 S \* 12/2003 Tran ..... D3/5  
 D507,373 S \* 7/2005 Kim ..... D10/111  
 D507,672 S \* 7/2005 Fritz ..... D26/49  
 7,059,738 B1 \* 6/2006 Nobayashi ..... A45B 3/04  
 135/66  
 D559,527 S \* 1/2008 Kim ..... D3/6  
 7,484,518 B2 2/2009 Brader

D624,449 S \* 9/2010 Smith ..... D10/114.8  
 7,891,368 B2 2/2011 Tison  
 8,225,806 B1 7/2012 Simonelli  
 8,240,322 B2 8/2012 Chang  
 D698,140 S \* 1/2014 Parker ..... D3/13  
 8,667,975 B1 3/2014 Chessum  
 8,746,263 B2 6/2014 Lee  
 8,893,736 B2 11/2014 Kazim  
 D720,247 S \* 12/2014 Covelli ..... D10/114.2  
 D722,256 S \* 2/2015 Kita ..... D8/107  
 D736,054 S \* 8/2015 Heva ..... D8/303  
 D782,812 S \* 4/2017 Chen ..... D3/12  
 D803,655 S \* 11/2017 Jacobson ..... D8/99  
 2002/0105798 A1 \* 8/2002 Hill ..... A45C 13/28  
 362/156  
 2004/0021145 A1 4/2004 Goh  
 2005/0010336 A1 1/2005 Matsubara et al.  
 2006/0039133 A1 \* 2/2006 Wu ..... A45B 3/04  
 362/102  
 2008/0000631 A1 1/2008 Brecheisen  
 2008/0016390 A1 1/2008 Cannon et al.  
 2008/0225513 A1 \* 9/2008 Durfee ..... A45B 3/00  
 362/102  
 2009/0015176 A1 1/2009 Yechuri  
 2015/0009660 A1 1/2015 Lee  
 2015/0023797 A1 1/2015 Egbert  
 2015/0024569 A1 1/2015 Tsai et al.

FOREIGN PATENT DOCUMENTS

CA 2 680 424 9/2013  
 CA 2 699 344 11/2013  
 CA 2 926 804 4/2015  
 CA 2 827 788 8/2015  
 CA 2 883 042 8/2015

\* cited by examiner

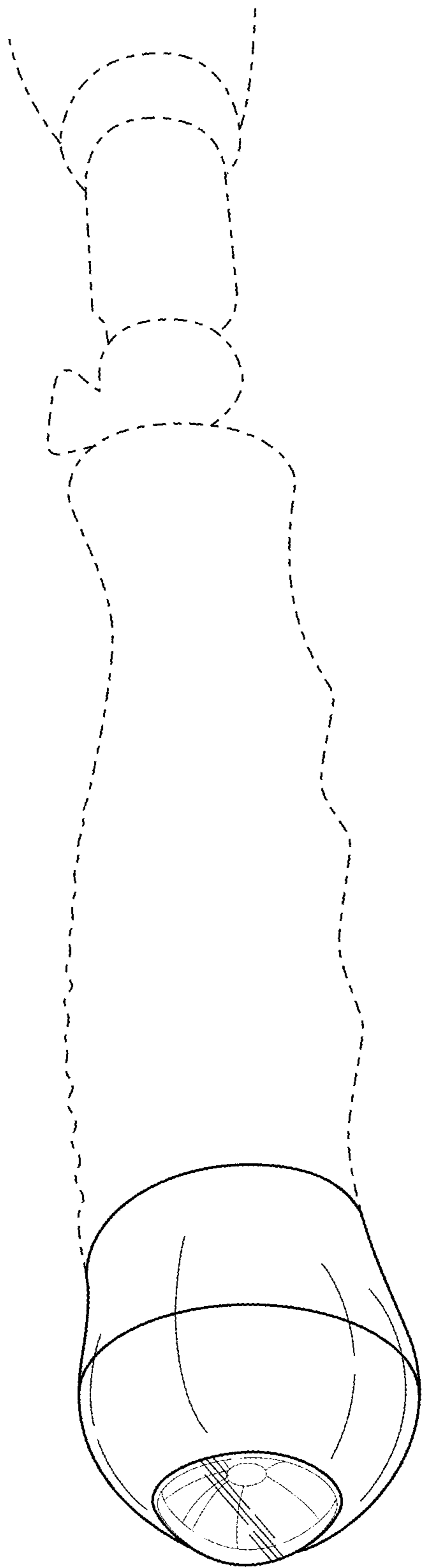


FIG. 1

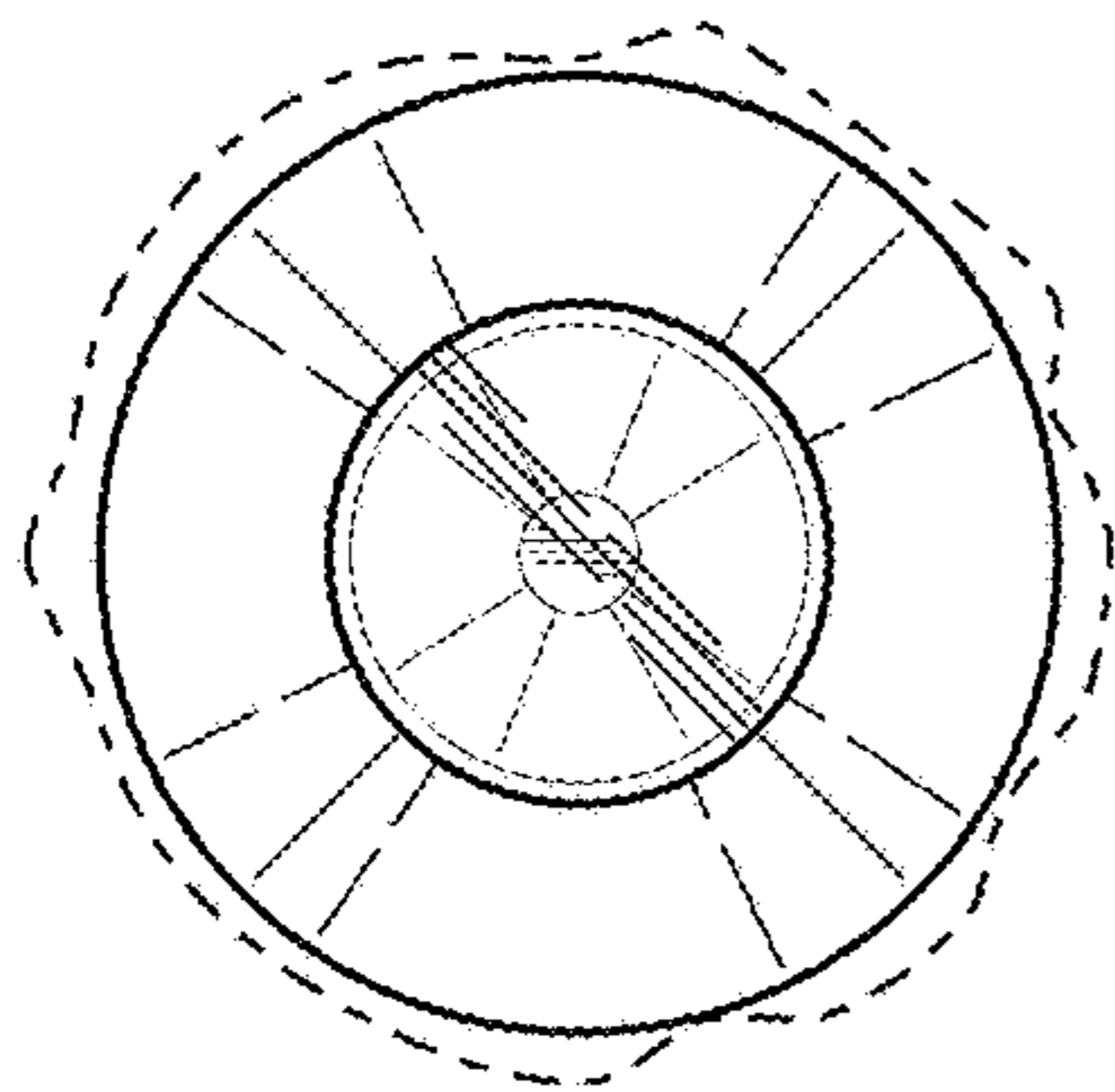


FIG. 2

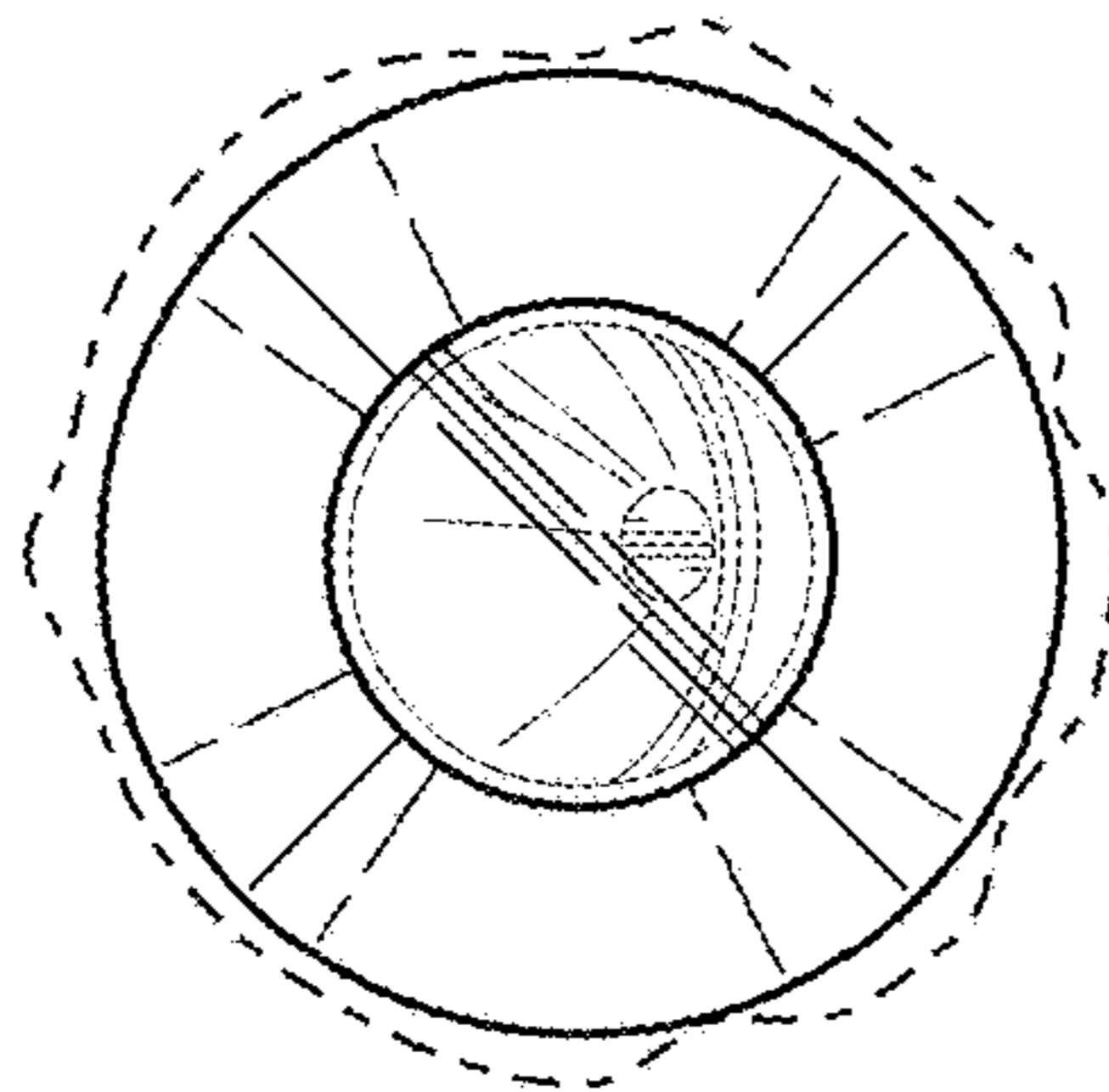


FIG. 4

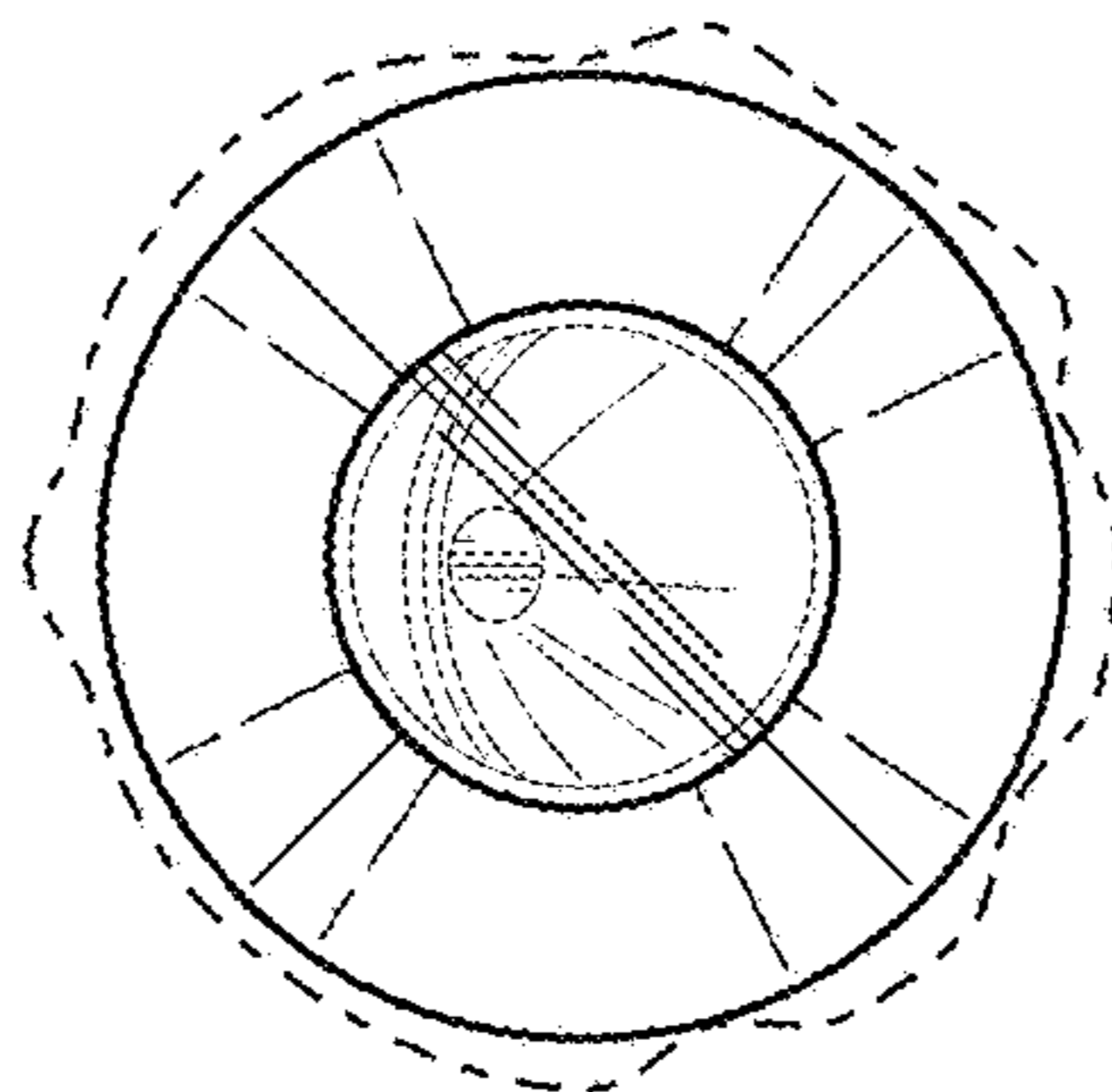


FIG. 3

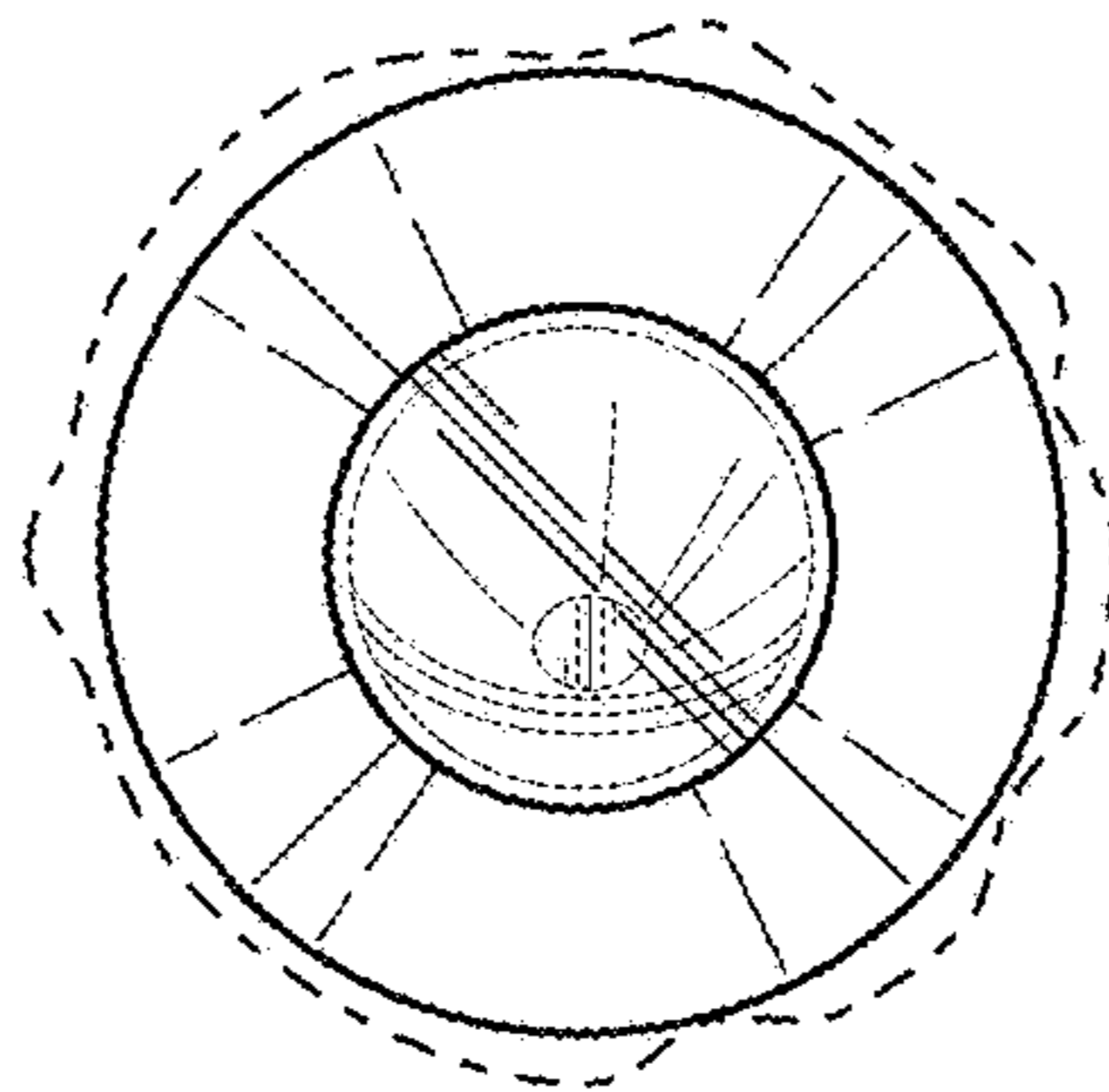


FIG. 5

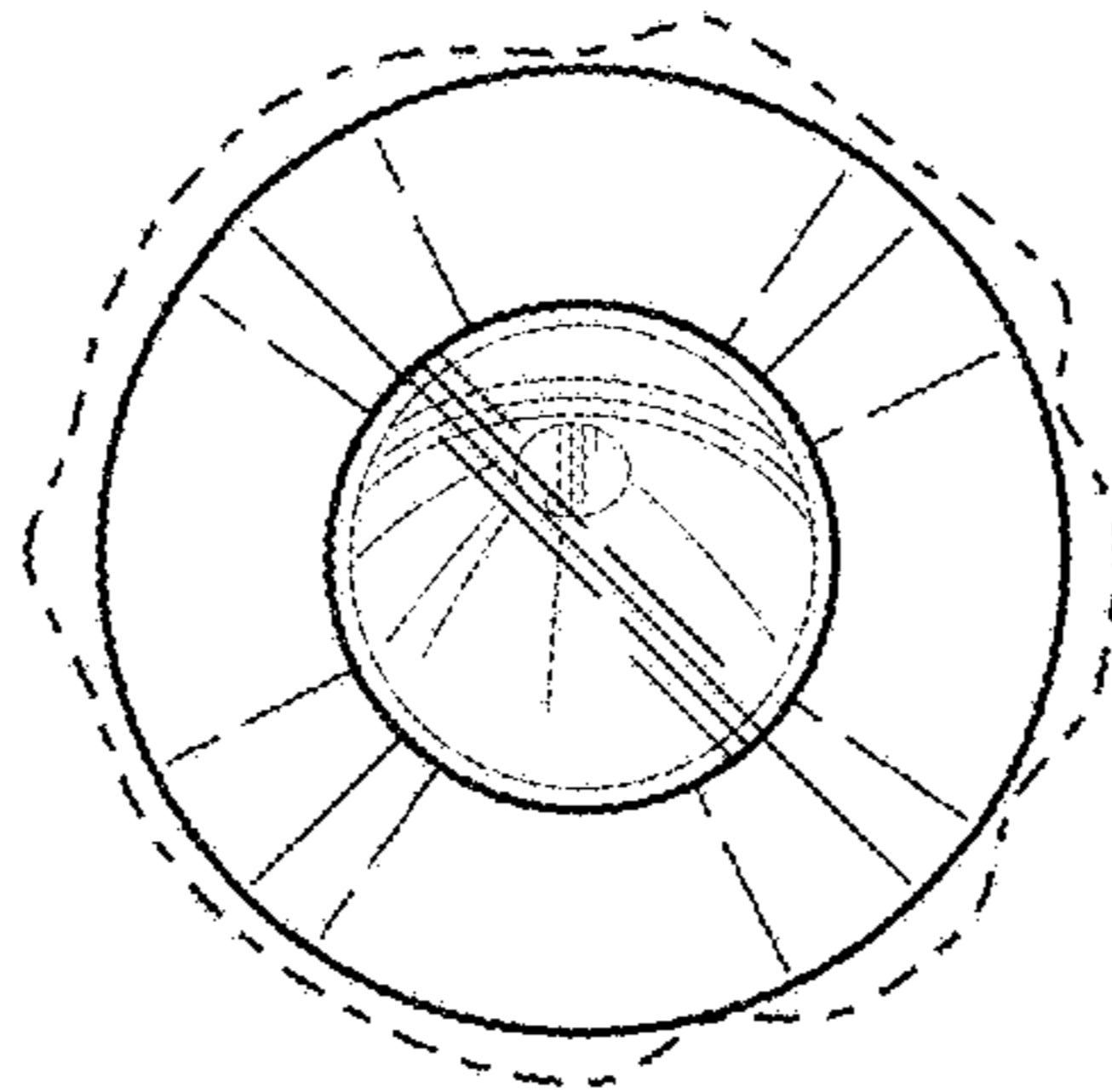


FIG. 6

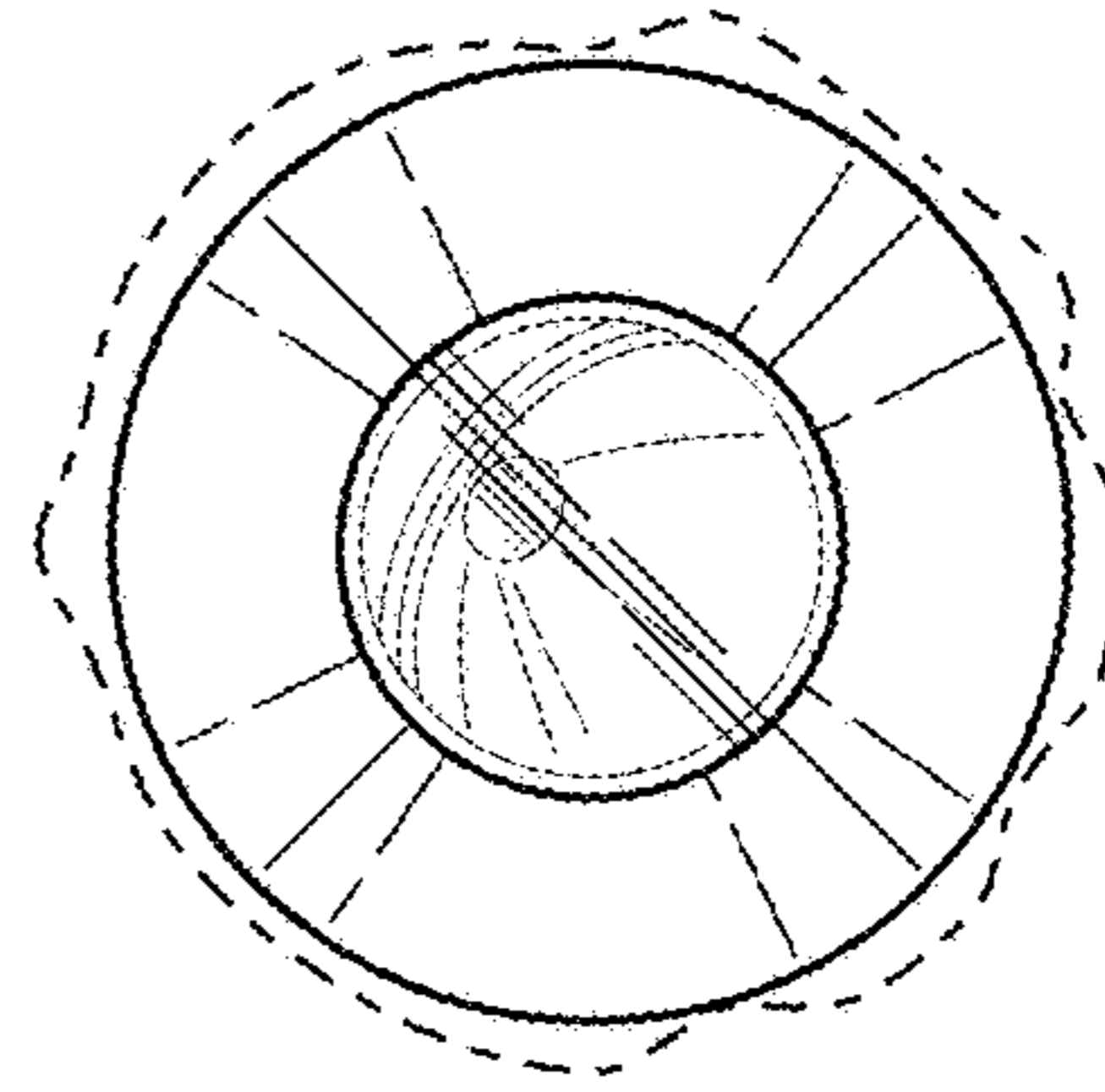


FIG. 7

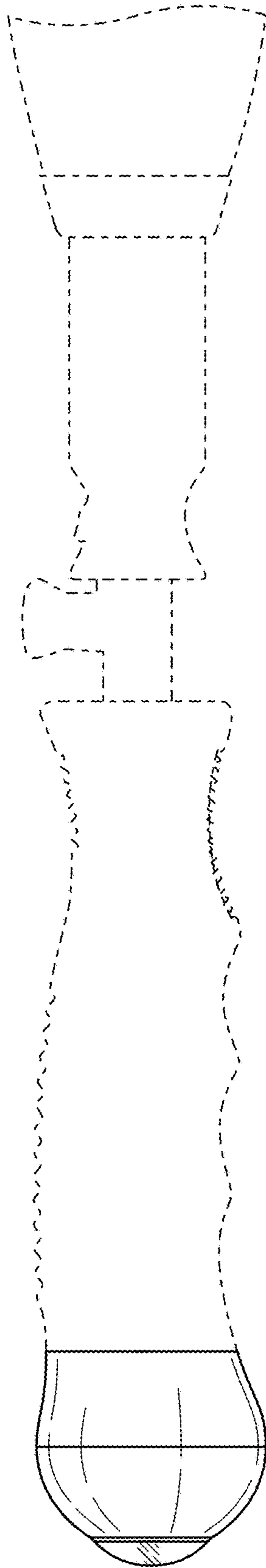


FIG. 8

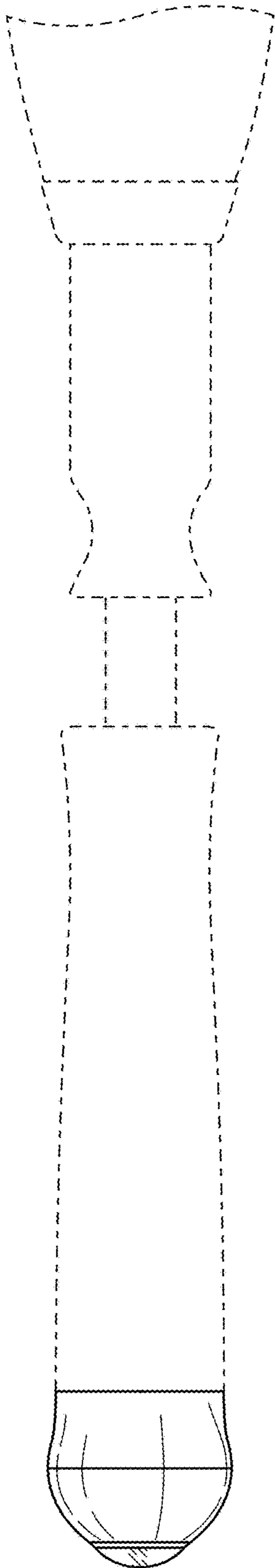


FIG. 9

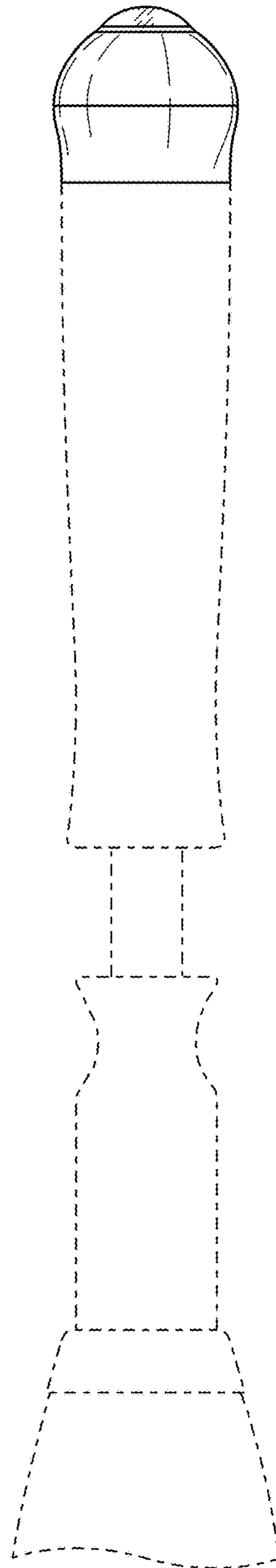


FIG. 10