



US00D831947S

(12) **United States Design Patent**
Comeau

(10) **Patent No.:** **US D831,947 S**
(45) **Date of Patent:** **** Oct. 30, 2018**

(54) **SANDAL UPPER**
(71) Applicant: **JPT GROUP, LLC**, Medina, MN (US)
(72) Inventor: **Dennis F. Comeau**, Tesuque, NM (US)
(73) Assignee: **JPT Group LLC**, Medina, MN (US)

(**) Term: **15 Years**

(21) Appl. No.: **29/591,578**

(22) Filed: **Jan. 20, 2017**

(51) **LOC (11) Cl.** **02-99**

(52) **U.S. Cl.**
USPC **D2/971; D2/969**

(58) **Field of Classification Search**
USPC D2/896, 916-918, 925-942, 969, 971
CPC A43B 21/00; A43B 21/02; A43B 21/06;
A43B 9/14; A43B 1/0045; A43B 13/10;
A43B 13/12; A43B 23/06; A43B 23/07;
A43B 1/0036; A43B 7/32; A43B 5/12;
A43B 23/25; A43B 3/128; A43B 3/10;
A43B 3/122; A43B 3/24; A43B 3/12
See application file for complete search history.

(56) **References Cited**

U.S. PATENT DOCUMENTS

D513,447 S * 1/2006 Comeau D2/917
D577,182 S * 9/2008 Comeau D2/917
D581,149 S * 11/2008 Comeau D2/917
D660,560 S * 5/2012 Juang D2/916

D661,474 S * 6/2012 Juang D2/917
D661,876 S * 6/2012 Juang D2/917
D801,647 S * 11/2017 Mitchell D2/916
D814,163 S * 4/2018 Issler D2/971
D818,250 S * 5/2018 Sassi D2/916
D818,676 S * 5/2018 Hardy D2/917

* cited by examiner

Primary Examiner — Dominic V Simone
(74) *Attorney, Agent, or Firm* — Alberto Q. Amatong, Jr.;
Amatong McCoy LLC

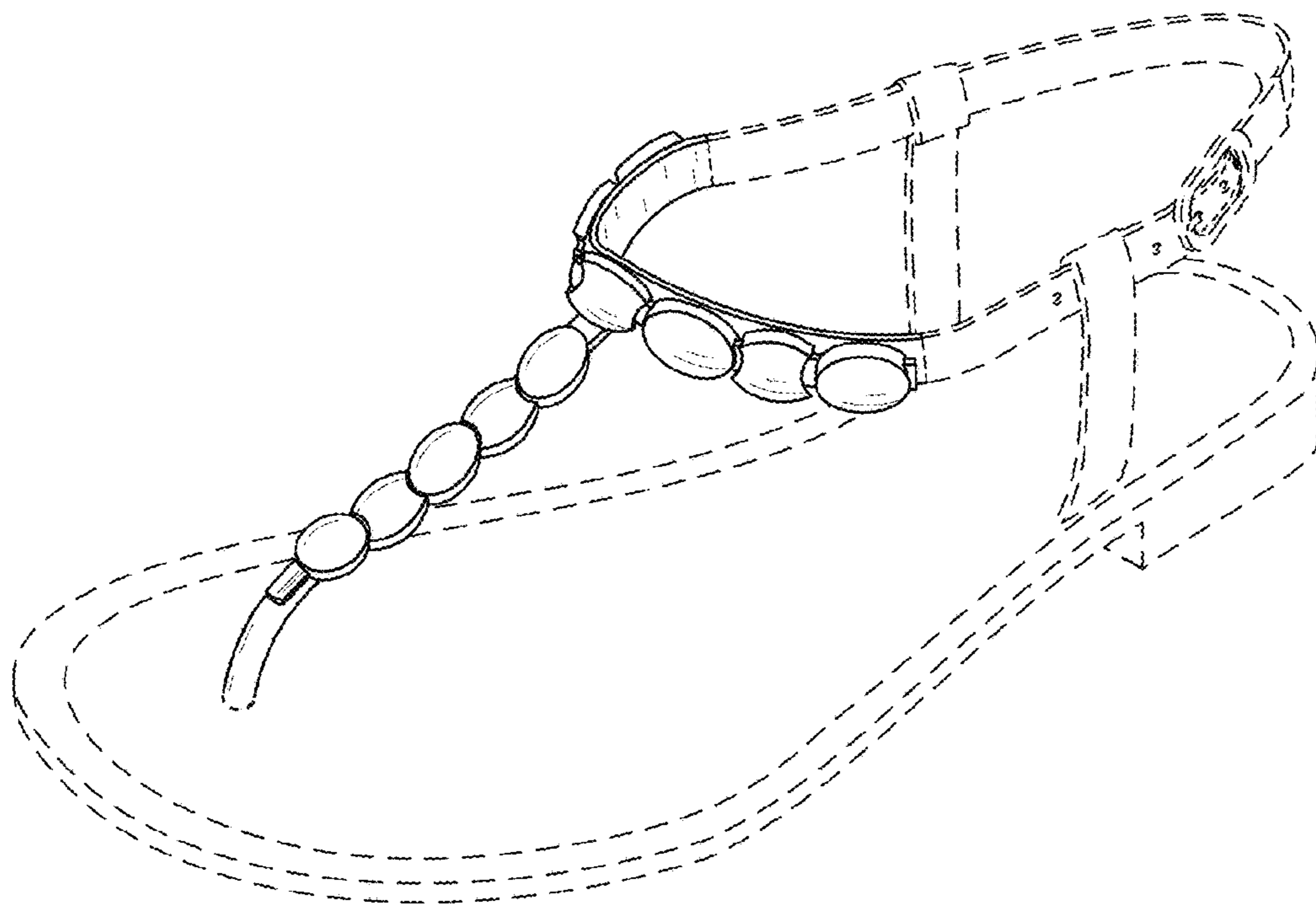
(57) **CLAIM**

The ornamental design for a sandal upper, as shown and described.

DESCRIPTION

FIG. 1 is a perspective view of a sandal upper showing my new design;
FIG. 2 is a left side elevation view thereof;
FIG. 3 is a right side elevation view thereof;
FIG. 4 is an enlarged front elevation view thereof;
FIG. 5 is an enlarged rear elevation view thereof;
FIG. 6 is a top view thereof; and,
FIG. 7 is a bottom view thereof.
Broken lines in or showing the sole of the sandal in FIGS. 1-7 and broken lines in or showing the middle side and rear portions of the ankle strap of the sandal upper in FIGS. 1-6 are for environmental purposes only and form no part of the claimed design. The Claimed Design is the front of the sandal upper including the front portion of the ankle strap and the toe post.

1 Claim, 5 Drawing Sheets



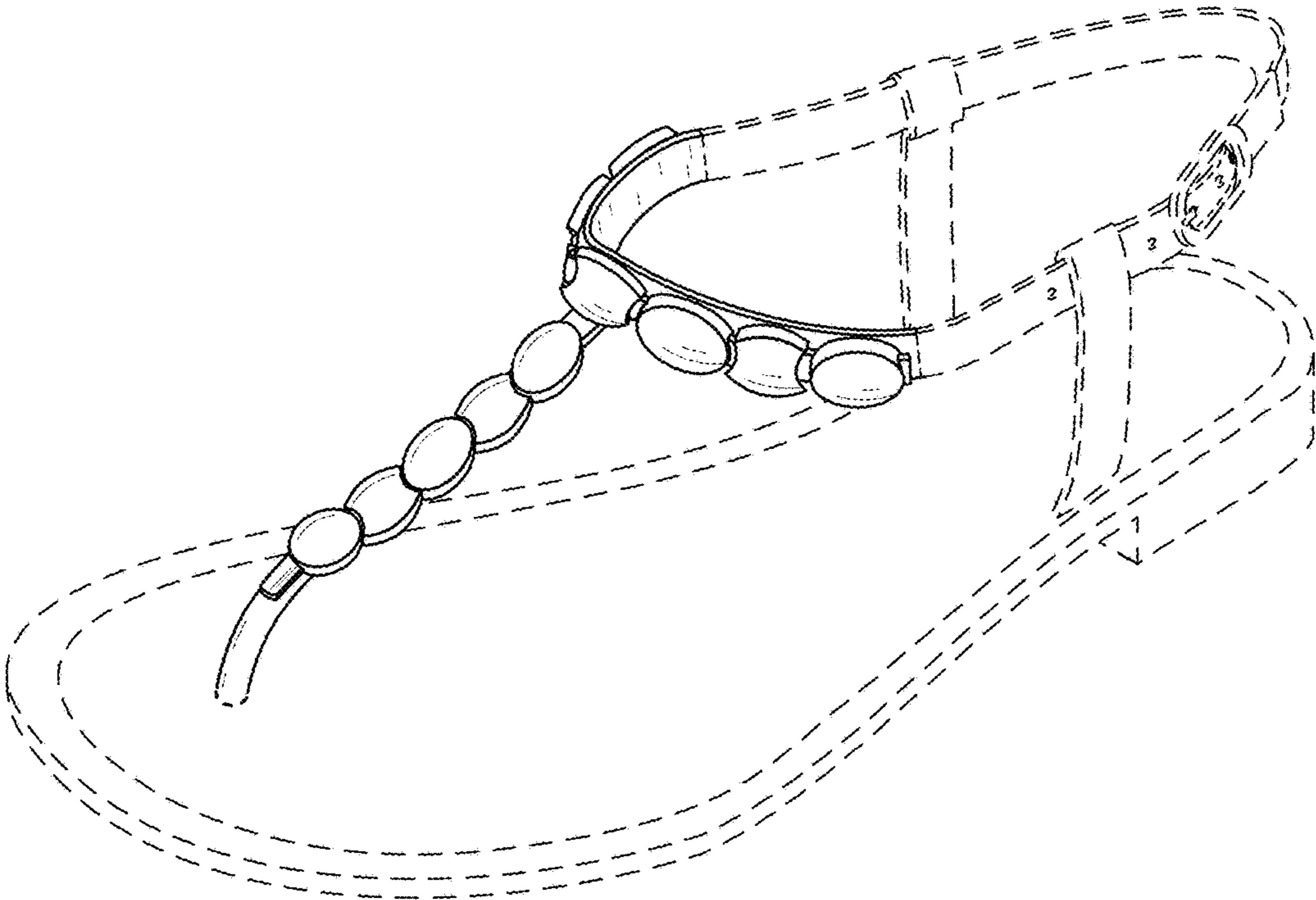


FIG. 1

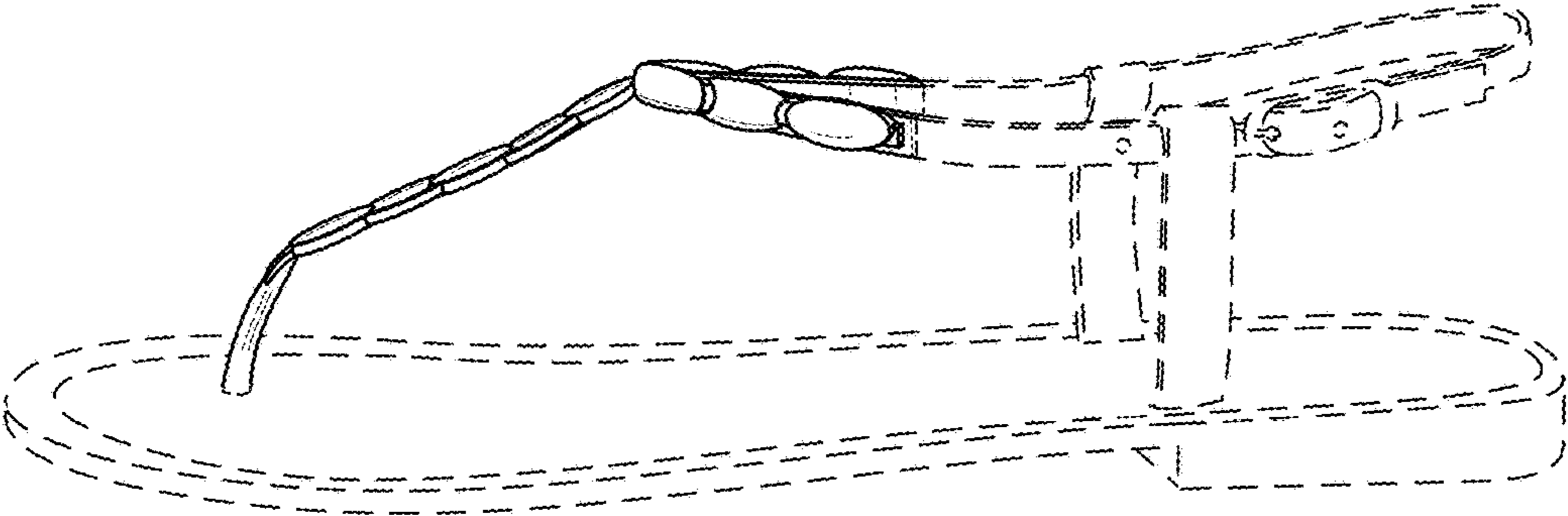


FIG. 2

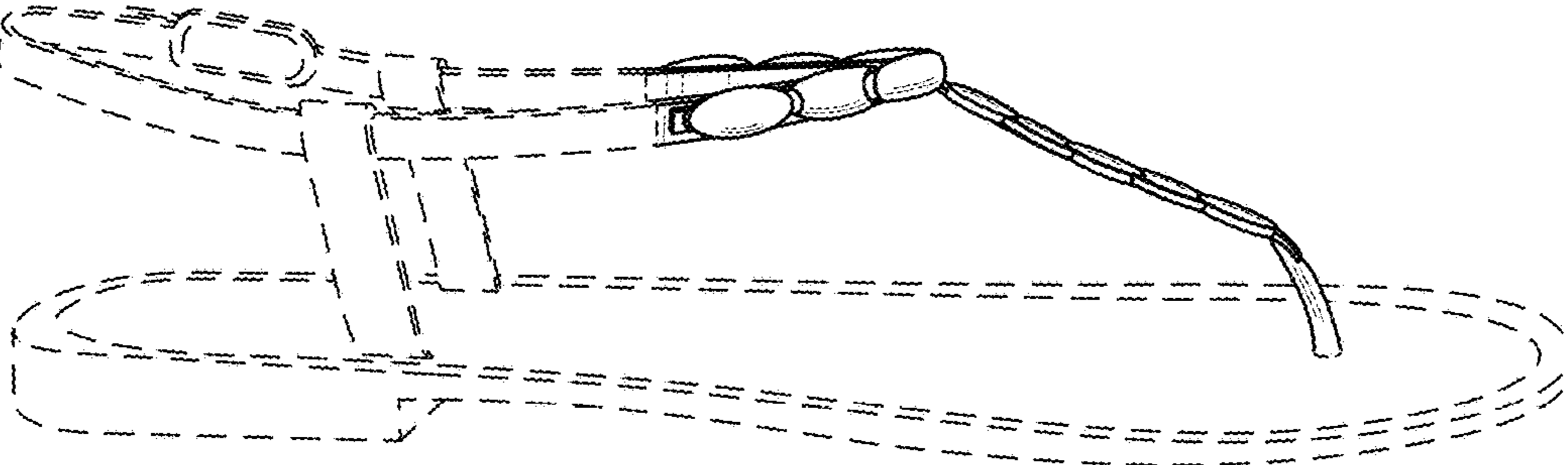


FIG. 3

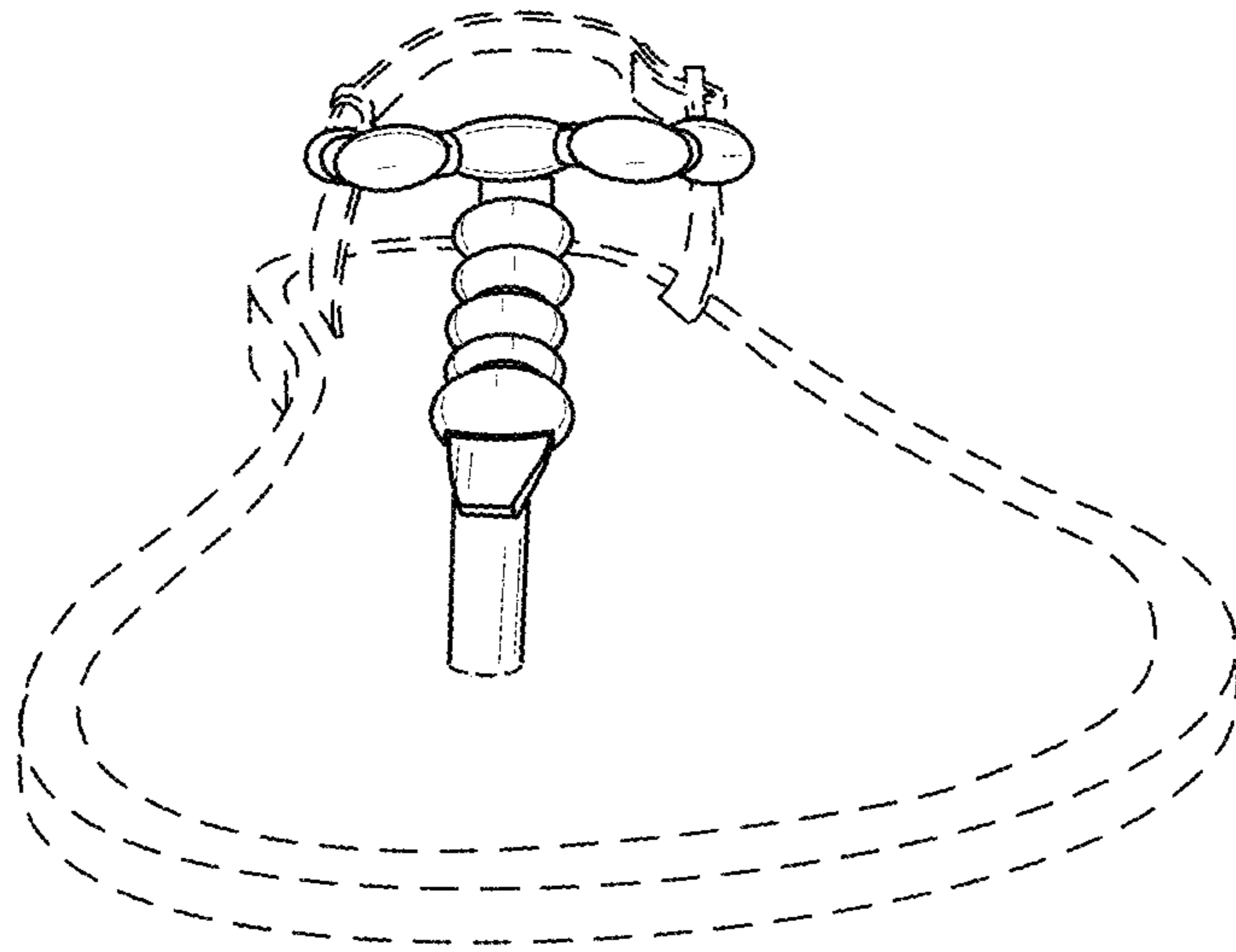


FIG. 4

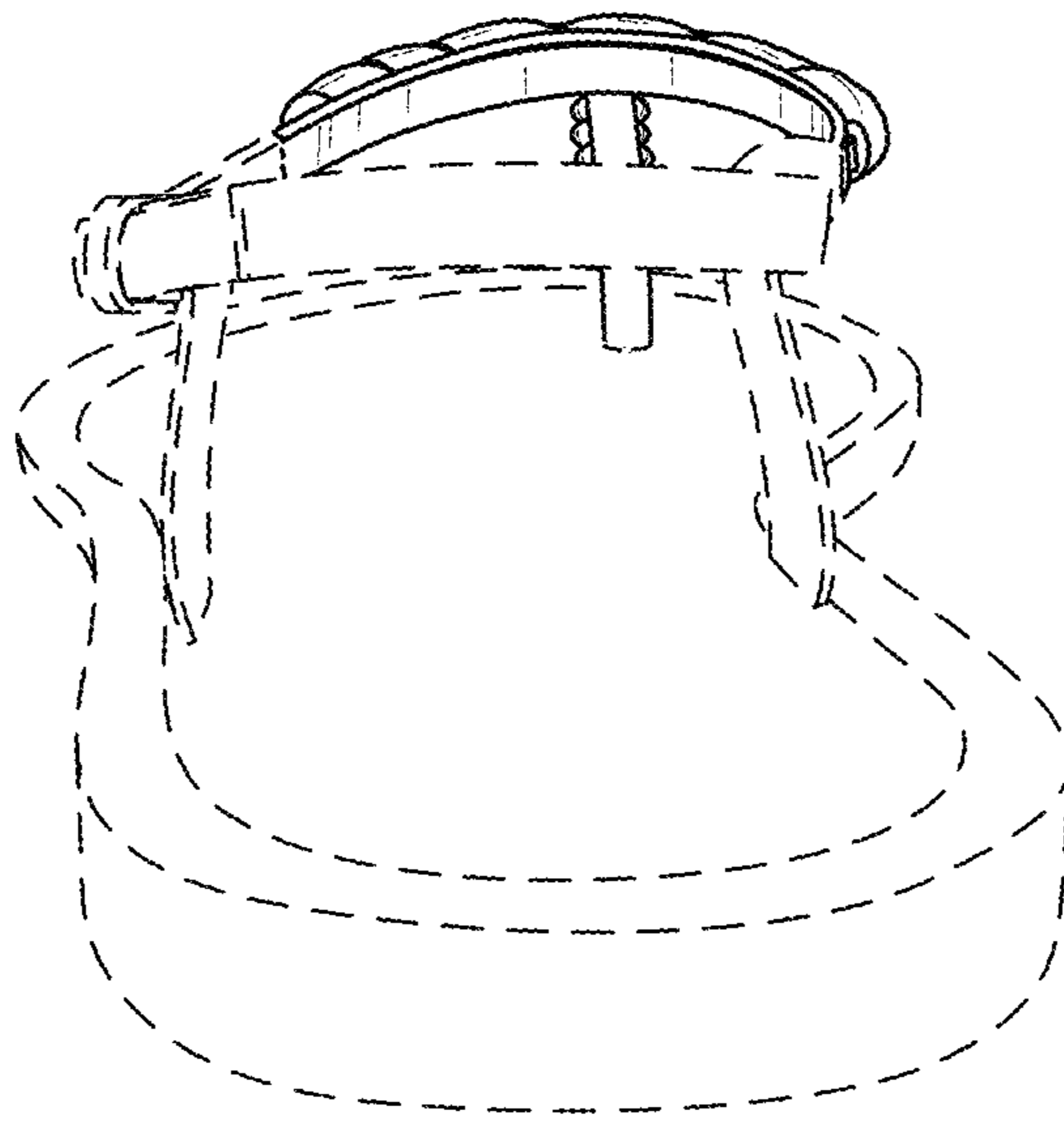


FIG. 5

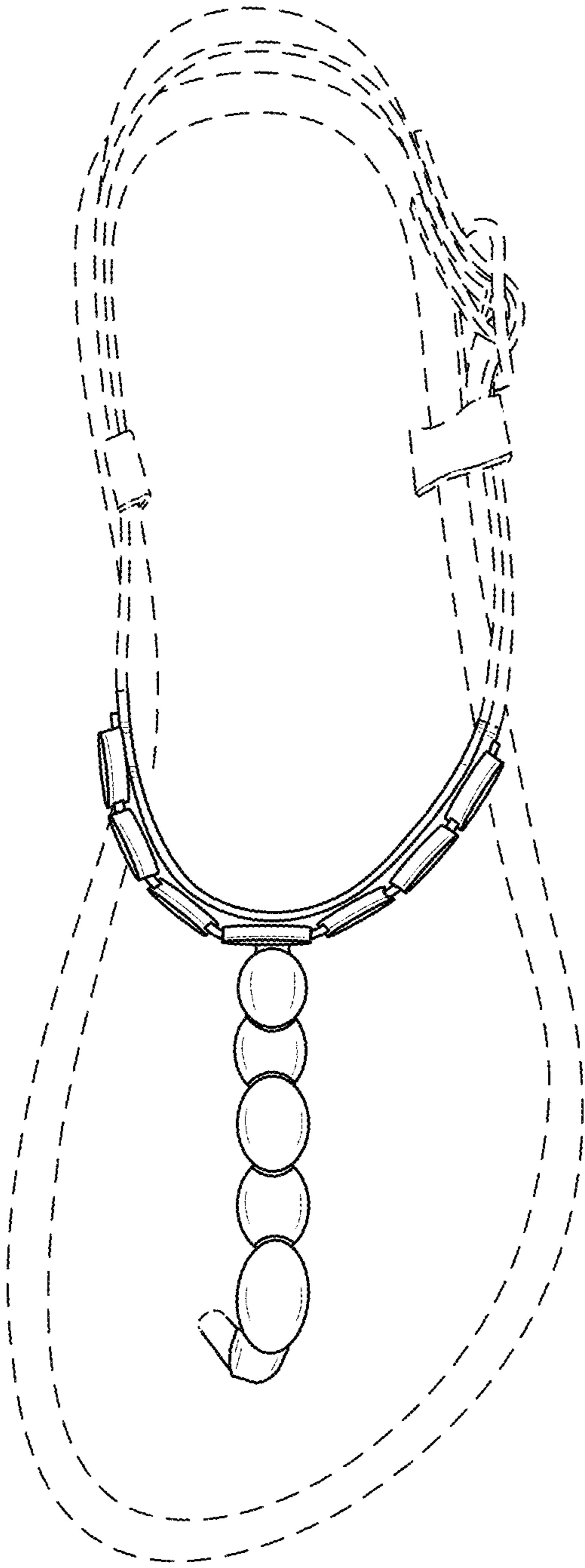


FIG. 6

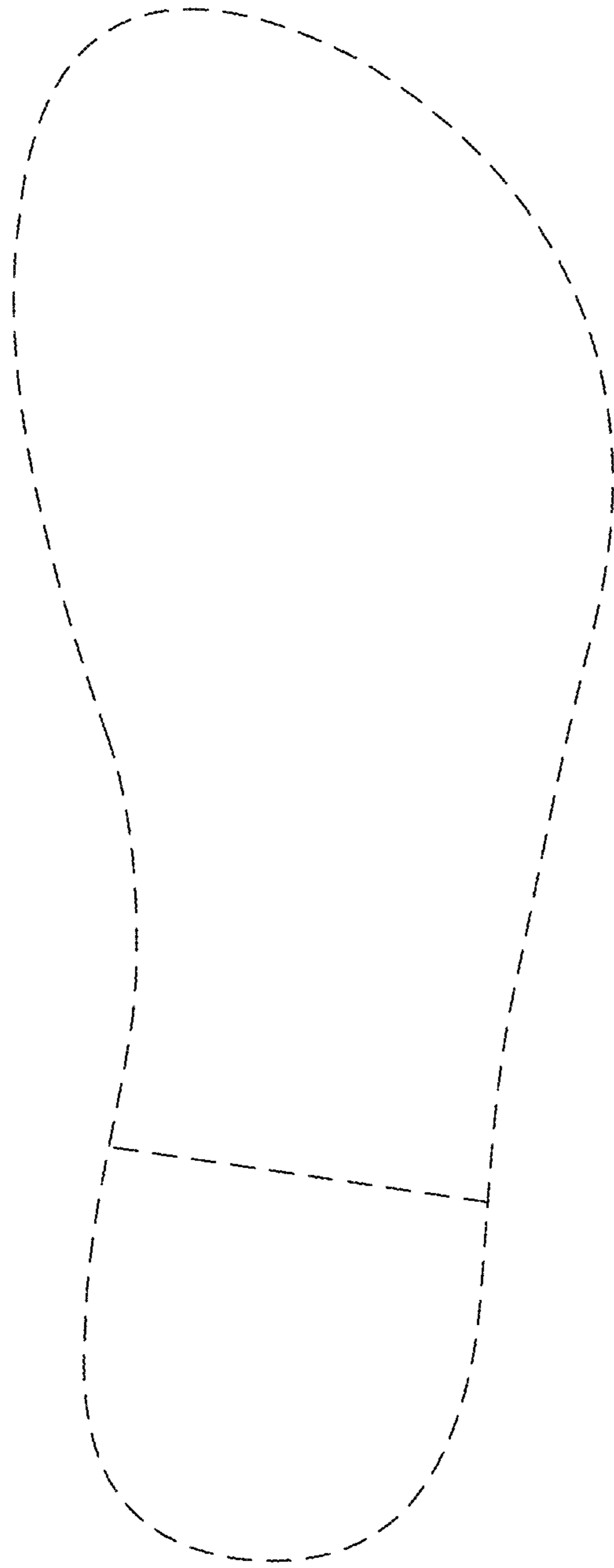


FIG. 7