



US00D831945S

(12) **United States Design Patent**
Comeau

(10) **Patent No.:** **US D831,945 S**

(45) **Date of Patent:** **** Oct. 30, 2018**

- (54) **SANDAL UPPER**
- (71) Applicant: **JPT GROUP, LLC**, Medina, MN (US)
- (72) Inventor: **Dennis F. Comeau**, Tesuque, NM (US)
- (73) Assignee: **JPT Group LLC**, Medina, MN (US)
- (**) Term: **15 Years**

D521,221 S *	5/2006	Choi	D2/971
D545,039 S *	6/2007	Weitzman	D2/917
D555,882 S *	11/2007	Comeau	D2/917
D647,691 S *	11/2011	Beckett	D2/971

* cited by examiner

Primary Examiner — Dominic V Simone

(74) *Attorney, Agent, or Firm* — Alberto Q. Amatong, Jr.; Amatong McCoy LLC

- (21) Appl. No.: **29/591,441**
- (22) Filed: **Jan. 19, 2017**
- (51) **LOC (11) Cl.** **02-99**
- (52) **U.S. Cl.**
USPC **D2/971; D2/969**
- (58) **Field of Classification Search**
USPC D2/896, 916–918, 925–942, 969, 971
CPC A43B 21/00; A43B 21/02; A43B 21/06;
A43B 9/14; A43B 1/0045; A43B 13/10;
A43B 13/12; A43B 23/06; A43B 23/07;
A43B 1/0036; A43B 7/32; A43B 5/12;
A43B 23/25; A43B 3/128; A43B 3/10;
A43B 3/122; A43B 3/24; A43B 3/12
See application file for complete search history.

(57) **CLAIM**

The ornamental design for a sandal upper, as shown and described.

DESCRIPTION

FIG. 1 is a perspective view of a sandal upper showing my new design;
 FIG. 2 is a left side elevation view thereof;
 FIG. 3 is a right side elevation view thereof;
 FIG. 4 is an enlarged front perspective view thereof;
 FIG. 5 is an enlarged rear perspective view thereof;
 FIG. 6 is a top view thereof; and,
 FIG. 7 is a bottom view thereof.

The broken lines applied to the sandal upper in FIGS. 1-6 represent claimed stitching.

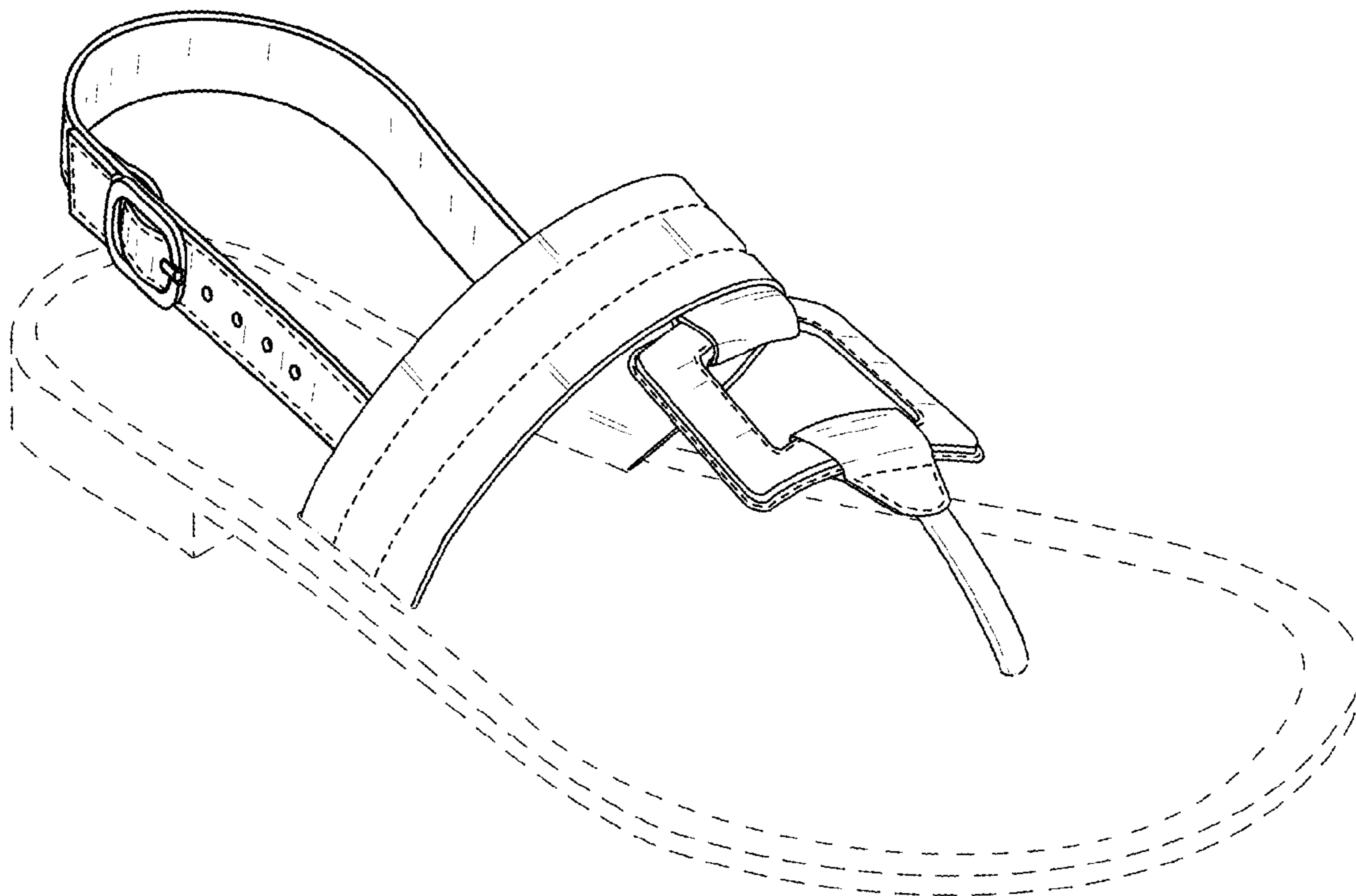
Broken lines in or showing the sole of the sandal in FIGS. 1-7 are for environmental purposes only and form no part of the claimed design. The claimed design does not include any part of the sole.

(56) **References Cited**

U.S. PATENT DOCUMENTS

D508,305 S *	8/2005	Comeau	D2/917
D513,447 S *	1/2006	Corneau	D2/917

1 Claim, 5 Drawing Sheets



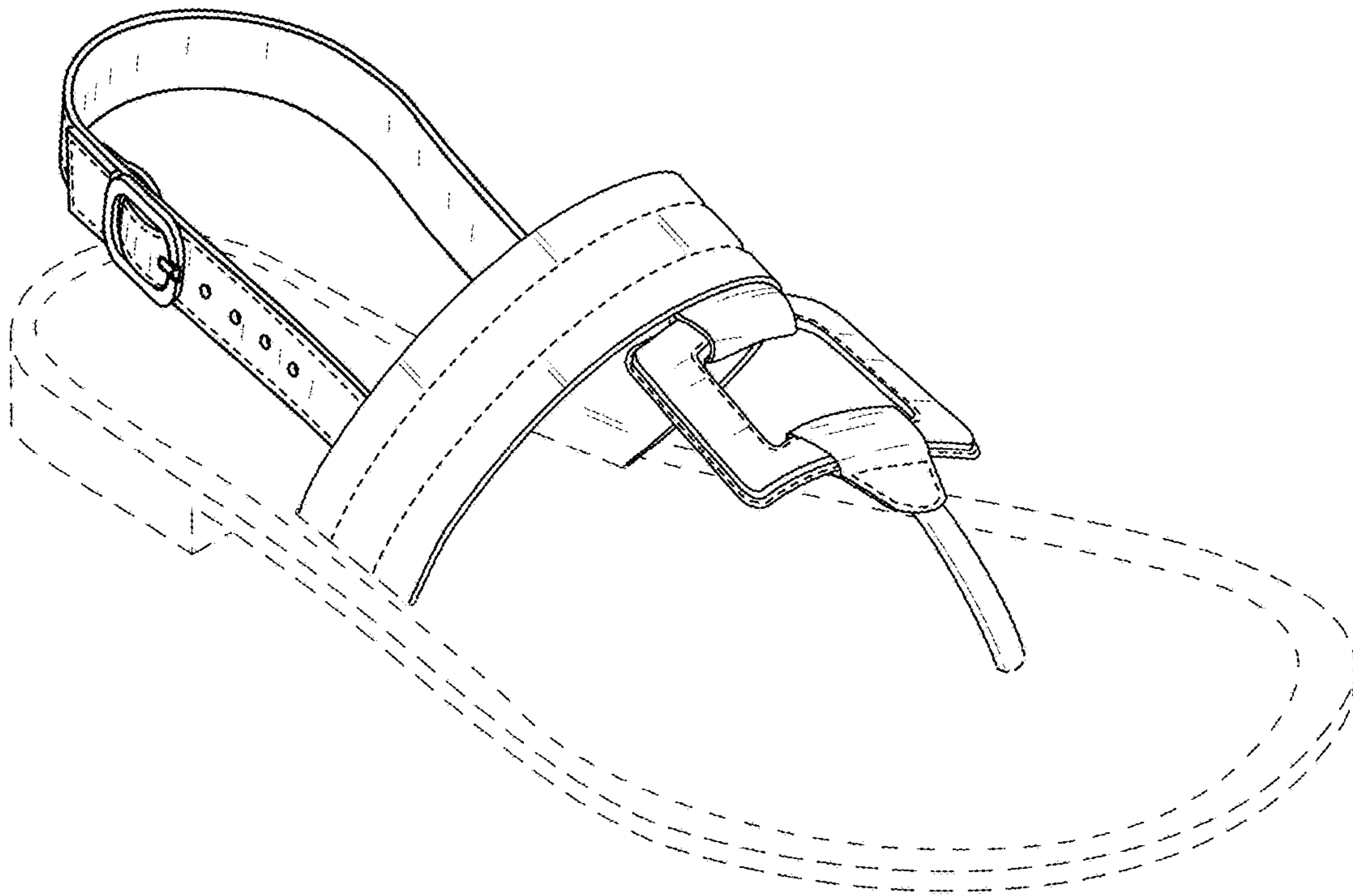


FIG. 1

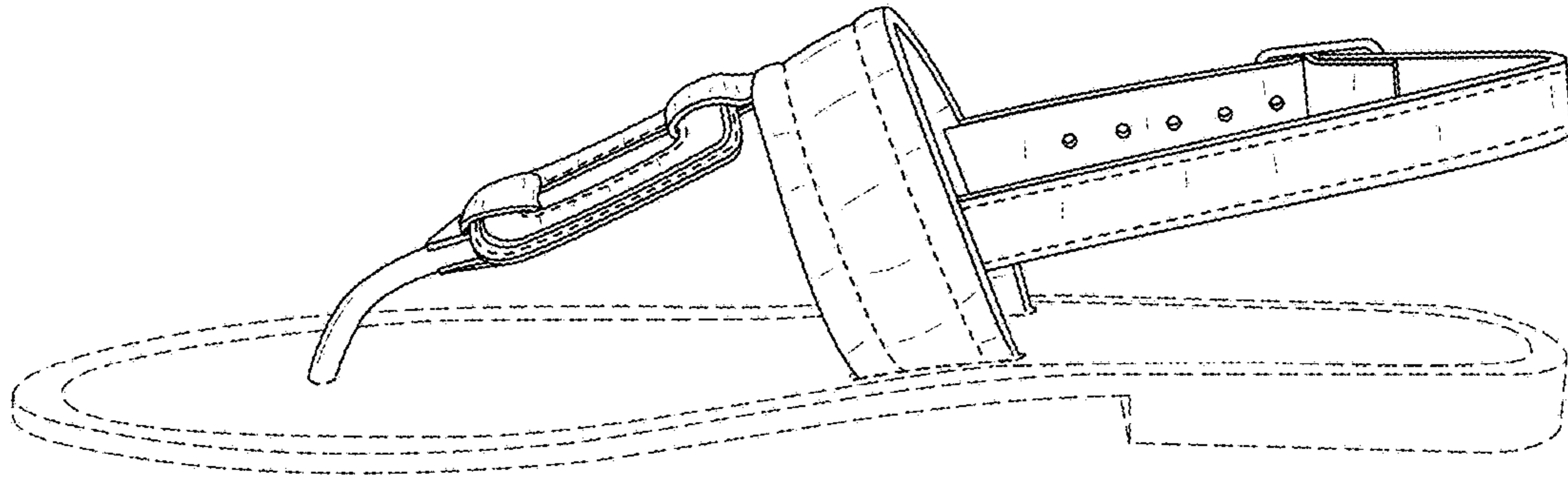


FIG. 2

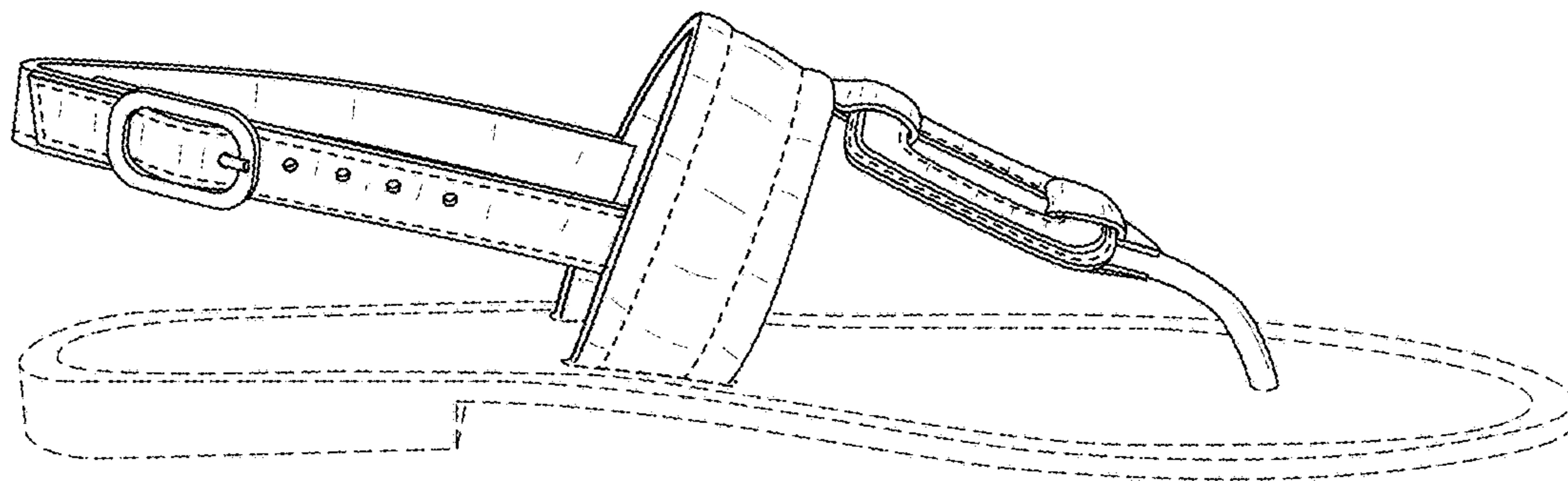


FIG. 3

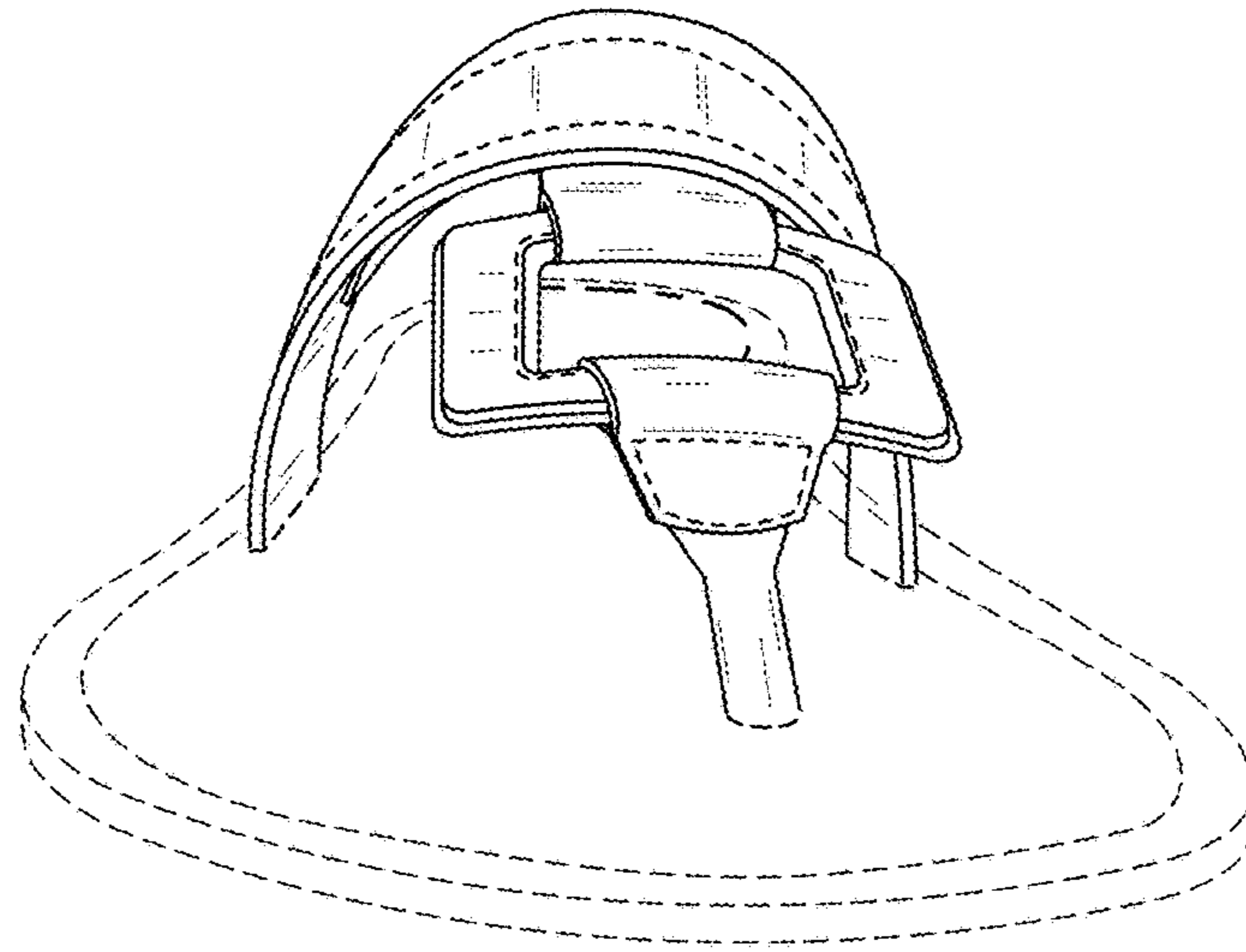


FIG. 4

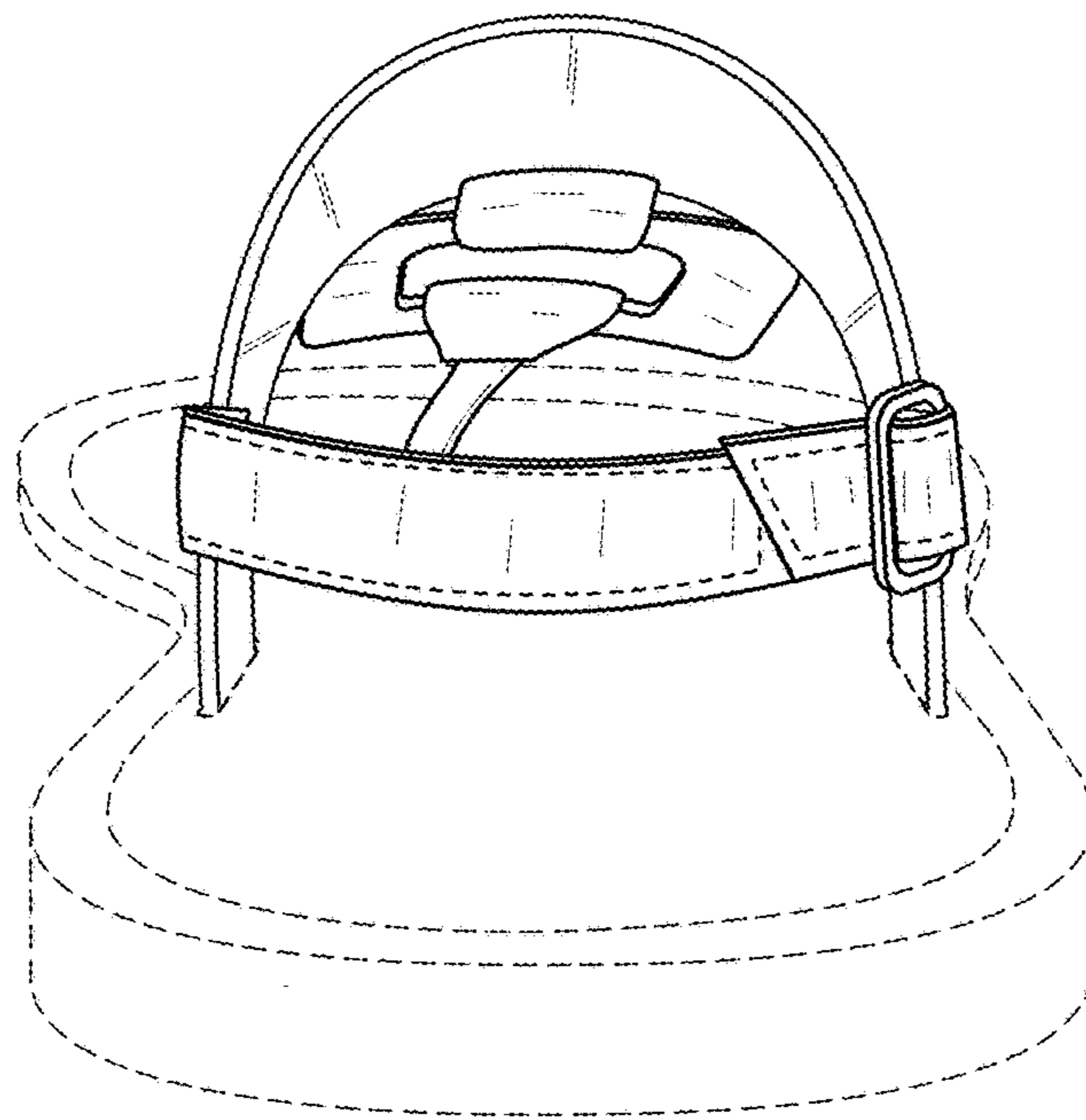


FIG. 5

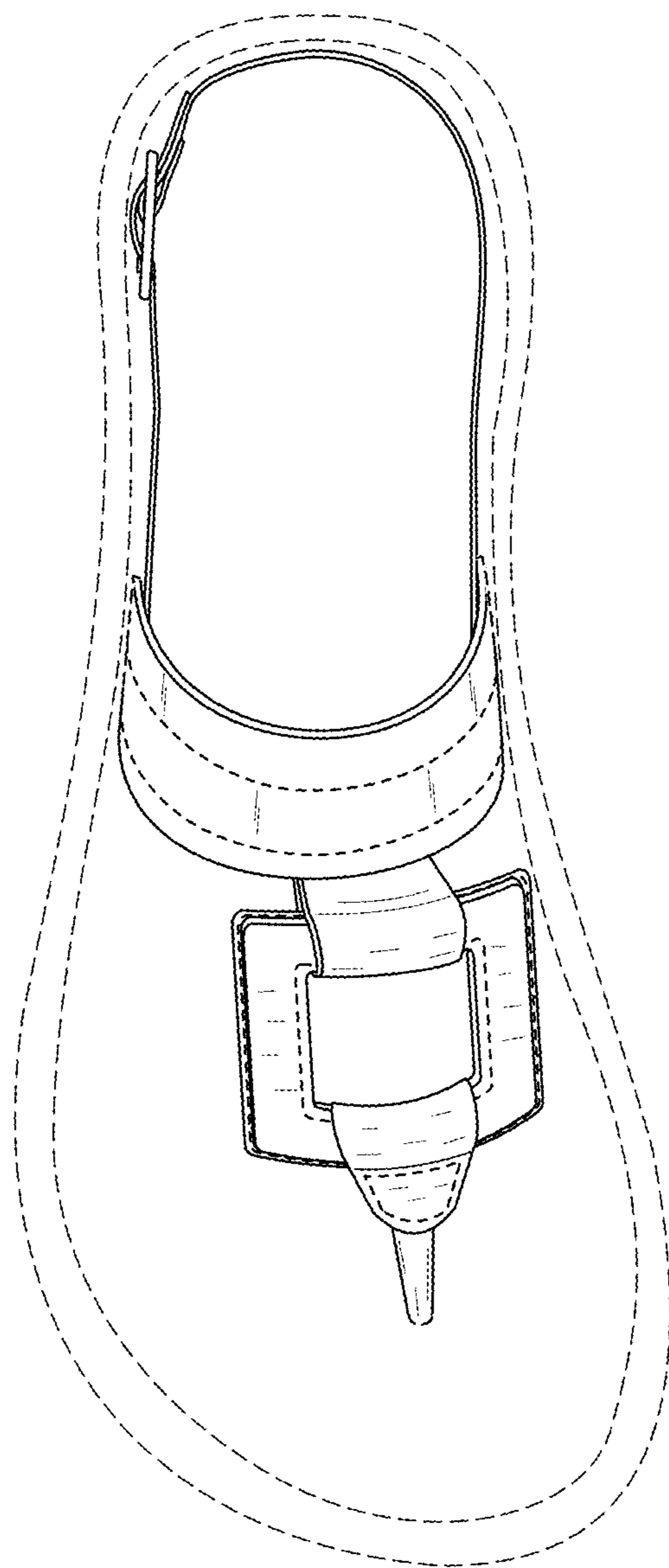


FIG. 6

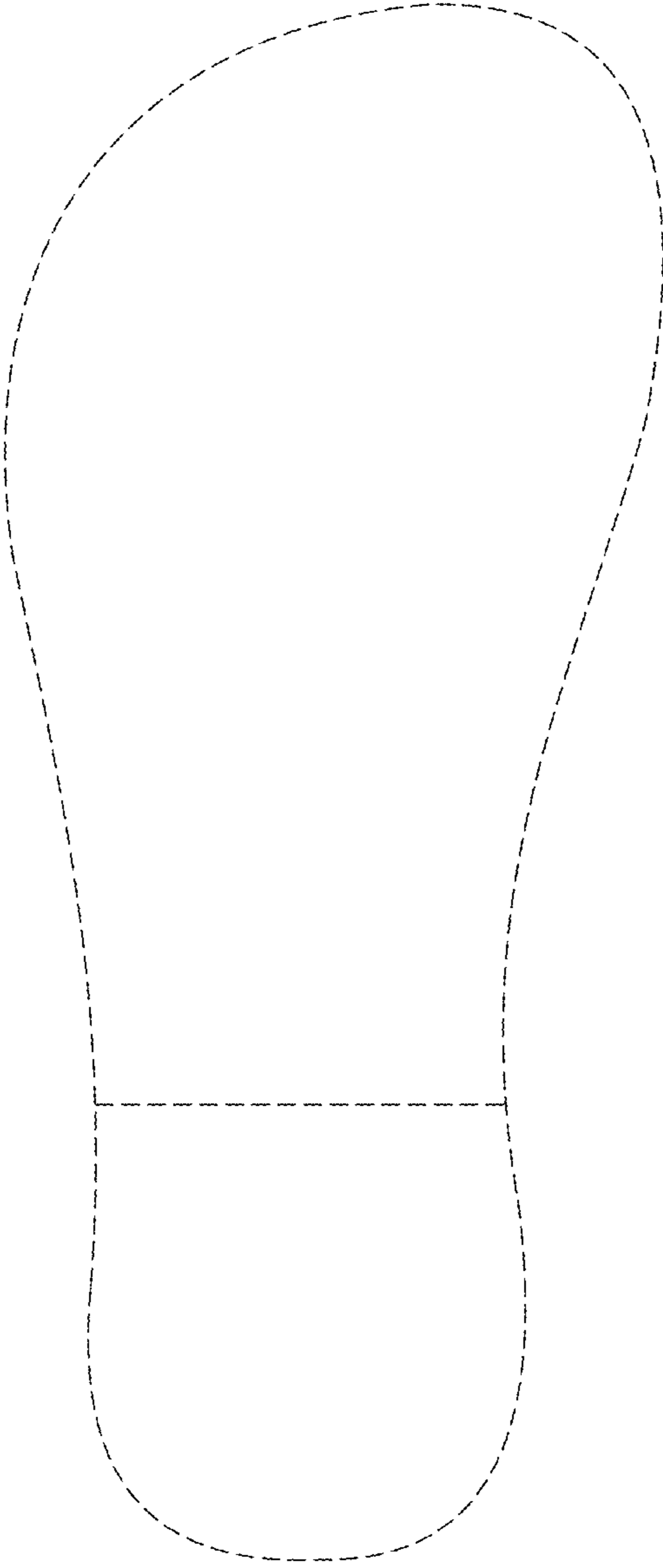


FIG. 7