



US00D831936S

(12) **United States Design Patent** (10) **Patent No.:** **US D831,936 S**  
**Gladden et al.** (45) **Date of Patent:** **\*\* Oct. 30, 2018**

(54) **CONNECTION STRUCTURE FOR A GARMENT STYLER**

(74) *Attorney, Agent, or Firm* — Law Office of Karen Dana Oster, LLC

(71) Applicant: **Gladd Unique Jewels**, Prineville, OR (US)

(57) **CLAIM**

The ornamental design for a connection structure for a garment styler, as shown and described.

(72) Inventors: **Shelli Gladden**, Prineville, OR (US); **Rebekah Van Cleef**, Redmond, OR (US)

**DESCRIPTION**

(73) Assignee: **Gladd Unique Jewels**, Prineville, OR (US)

FIG. 1 is a bottom perspective view of a first connection structure for a garment styler showing our new design; FIG. 2 is a top perspective thereof; FIG. 3 is a front side elevational view thereof; FIG. 4 is a back side elevational view thereof; FIG. 5 is a first side elevational view thereof; FIG. 6 is a second side elevational view thereof; FIG. 7 is a top side elevational view thereof; FIG. 8 is a bottom side elevational view thereof; FIG. 9 is an isometric view of the first connection structure for a garment styler in use with the garment gathered and the ornament attached to the garment; FIG. 10 is a bottom perspective view of a second connection structure for a garment styler showing our new design; FIG. 11 is a top perspective thereof; FIG. 12 is a front side elevational view thereof; FIG. 13 is a back side elevational view thereof; FIG. 14 is a first side elevational view thereof; FIG. 15 is a second side elevational view thereof; FIG. 16 is a top side elevational view thereof; FIG. 17 is a bottom side elevational view thereof; and, FIG. 18 is an isometric view of the second connection structure for a garment styler in use with the garment gathered and the ornament attached to the garment. The broken lines shown in the figures are for the purpose of illustrating portions of the connection structure for a garment styler and form no part of the claimed design. The dash-dot broken lines shown in the figures are for the purpose of illustrating environment and form no part of the claimed design.

(\*\*) Term: **15 Years**

(21) Appl. No.: **29/610,807**

(22) Filed: **Jul. 14, 2017**

(51) **LOC (11) Cl.** ..... **02-02**

(52) **U.S. Cl.**  
USPC ..... **D2/853**

(58) **Field of Classification Search**  
USPC ..... **D2/853, 855**

(Continued)

(56) **References Cited**

**U.S. PATENT DOCUMENTS**

671,959 A \* 4/1901 Haverly ..... A44B 1/34  
24/108  
838,970 A \* 12/1906 Flade ..... A44B 1/36  
24/106

(Continued)

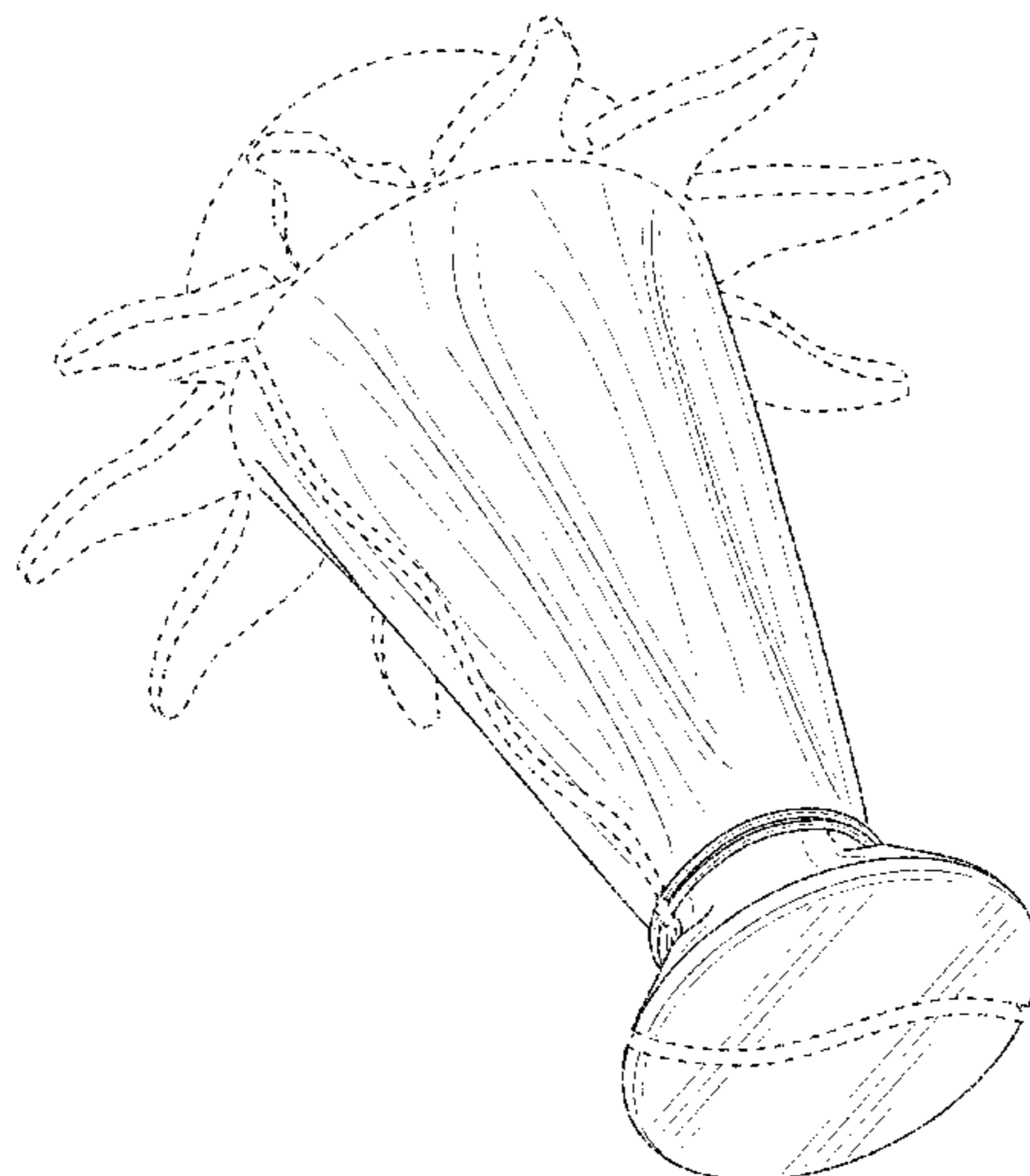
**OTHER PUBLICATIONS**

Pinterest, "Explore Style Lularoe Carly, Lularoe Dresses, and more!," at least as early as Jul. 13, 2017, <https://www.pinterest.com/pin/343610646555407355>, 5 pages.

(Continued)

*Primary Examiner* — Kevin K Rudzinski

**1 Claim, 18 Drawing Sheets**



(58) **Field of Classification Search**  
 CPC ..... A41F 1/002; A41F 1/00  
 See application file for complete search history.

(56) **References Cited**

U.S. PATENT DOCUMENTS

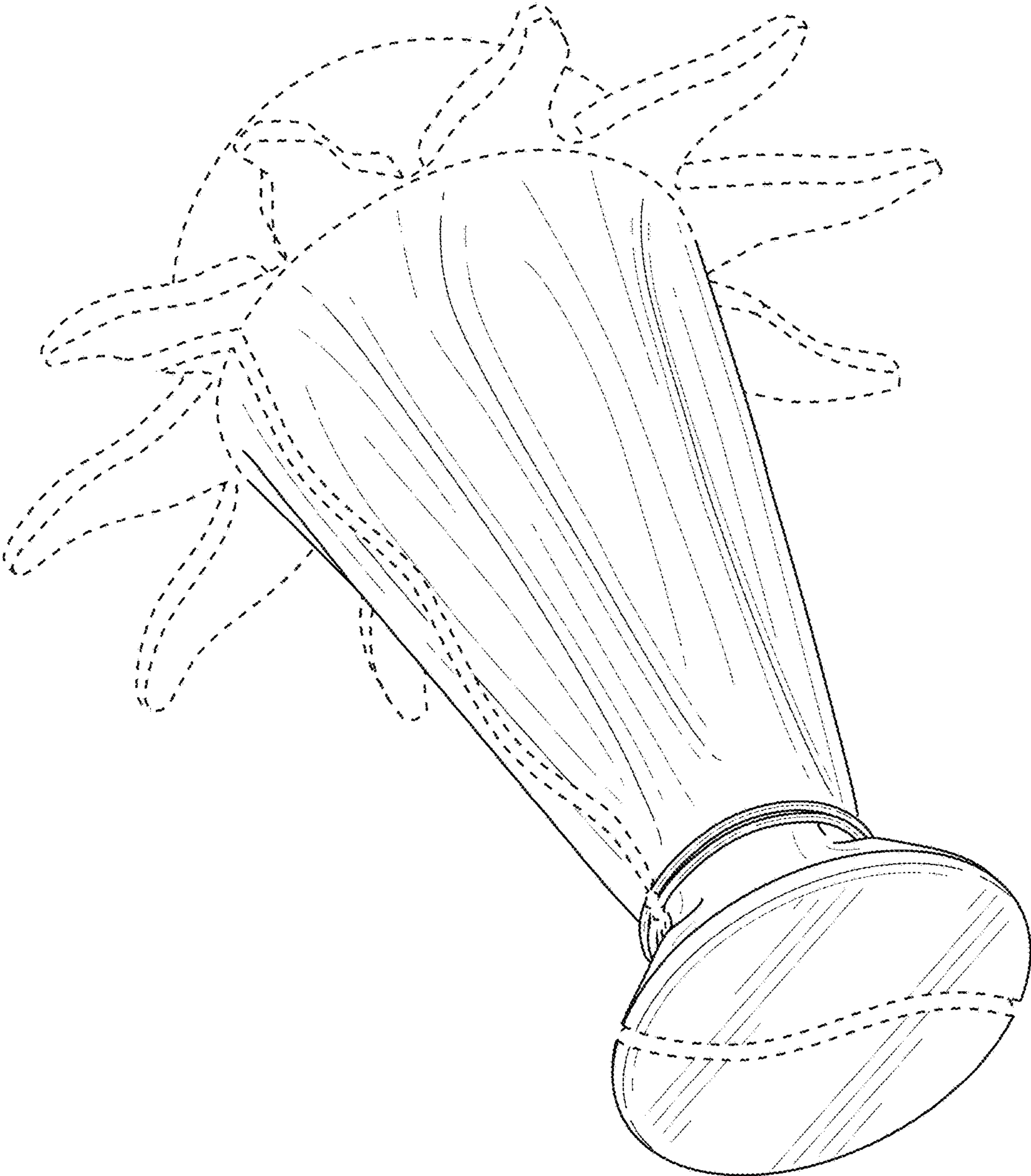
2,075,722	A *	3/1937	Illsche .....	A44B 1/30 24/105
3,343,230	A *	9/1967	Darvie .....	A44B 1/14 24/113 MP
3,865,290	A *	2/1975	Sperling .....	A63B 47/001 224/194
5,156,023	A *	10/1992	Bevolo .....	A44C 1/00 24/103
5,511,289	A *	4/1996	Melia .....	A44B 6/00 24/459
5,713,080	A *	2/1998	Tate .....	A44C 15/00 2/1
5,727,577	A *	3/1998	Post .....	A44C 15/0015 132/275
6,053,182	A *	4/2000	Harmell .....	A44C 15/006 132/273
6,568,044	B1 *	5/2003	Kidd .....	A44B 1/04 24/104
D590,577	S *	4/2009	Bruno .....	D2/853
7,698,836	B2 *	4/2010	Schmelzer .....	A43B 3/0078 36/136

7,793,518	B1 *	9/2010	Holleman .....	A41F 19/00 2/1
8,069,538	B2 *	12/2011	Wilcox .....	A43B 3/0078 119/858
8,347,416	B1 *	1/2013	Query .....	A41F 1/00 2/244
D788,638	S *	6/2017	Sullivan .....	D11/200
9,737,102	B1 *	8/2017	Sinclair .....	A41F 1/002
9,949,551	B1 *	4/2018	Boles .....	A45D 40/22
2010/0043125	A1 *	2/2010	MacLean .....	A41F 1/00 2/336
2012/0317760	A1 *	12/2012	Kamiya .....	A44B 1/44 24/591.1
2013/0173501	A1 *	7/2013	Wrubel .....	A44C 1/00 705/500
2014/0130312	A1 *	5/2014	Jamroz .....	A41F 1/002 24/455
2014/0250640	A1 *	9/2014	Crooks .....	A41F 19/00 24/303

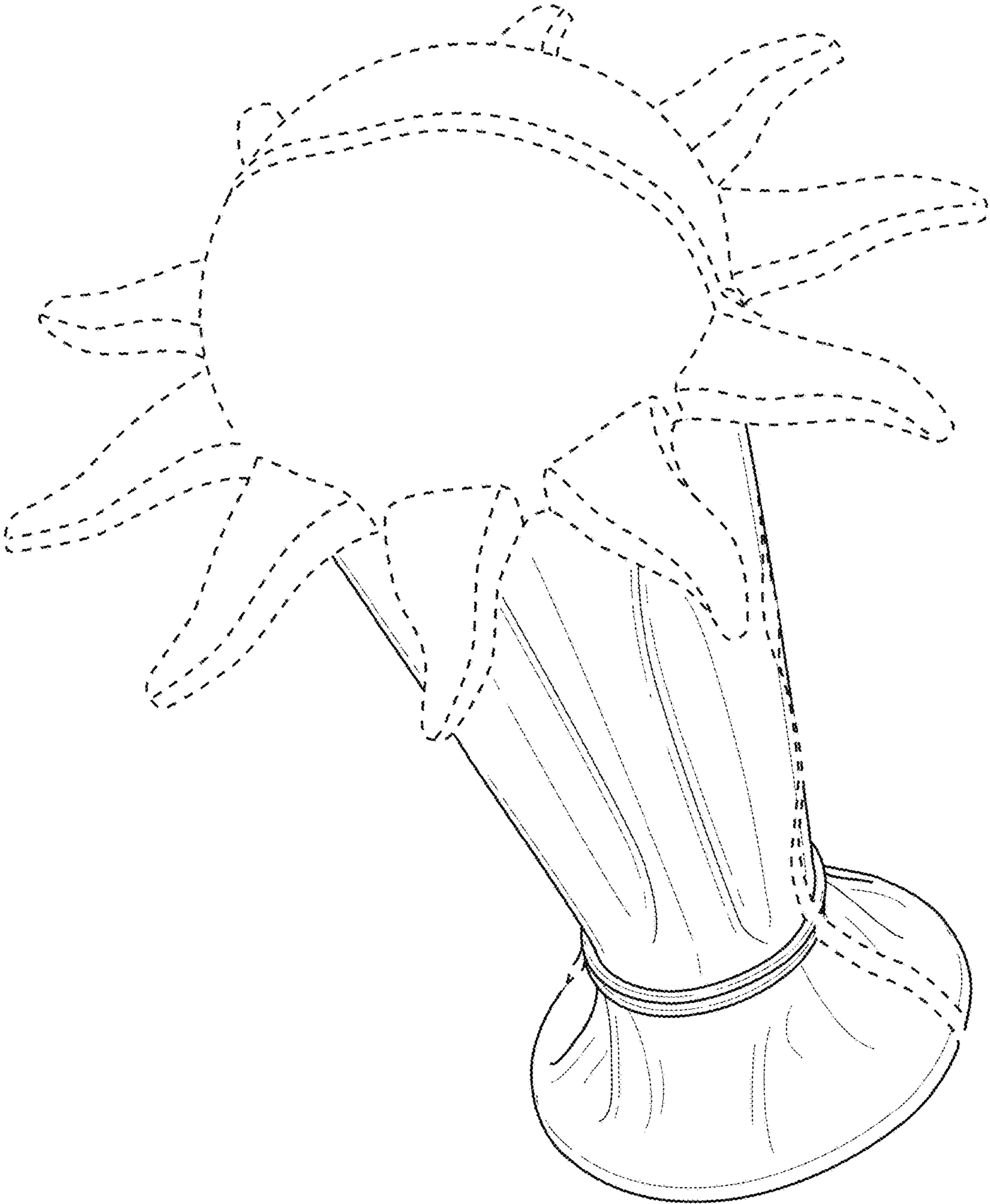
OTHER PUBLICATIONS

Pinterest, "LuLaRoe Carly Styling Ideas, Tips & Tricks," at least as early as Jul. 13, 2017, <https://www.pinterest.com/LLRKateandLea/lularoe-carly-styling-ideas-tips-tricks/>, 5 pages.

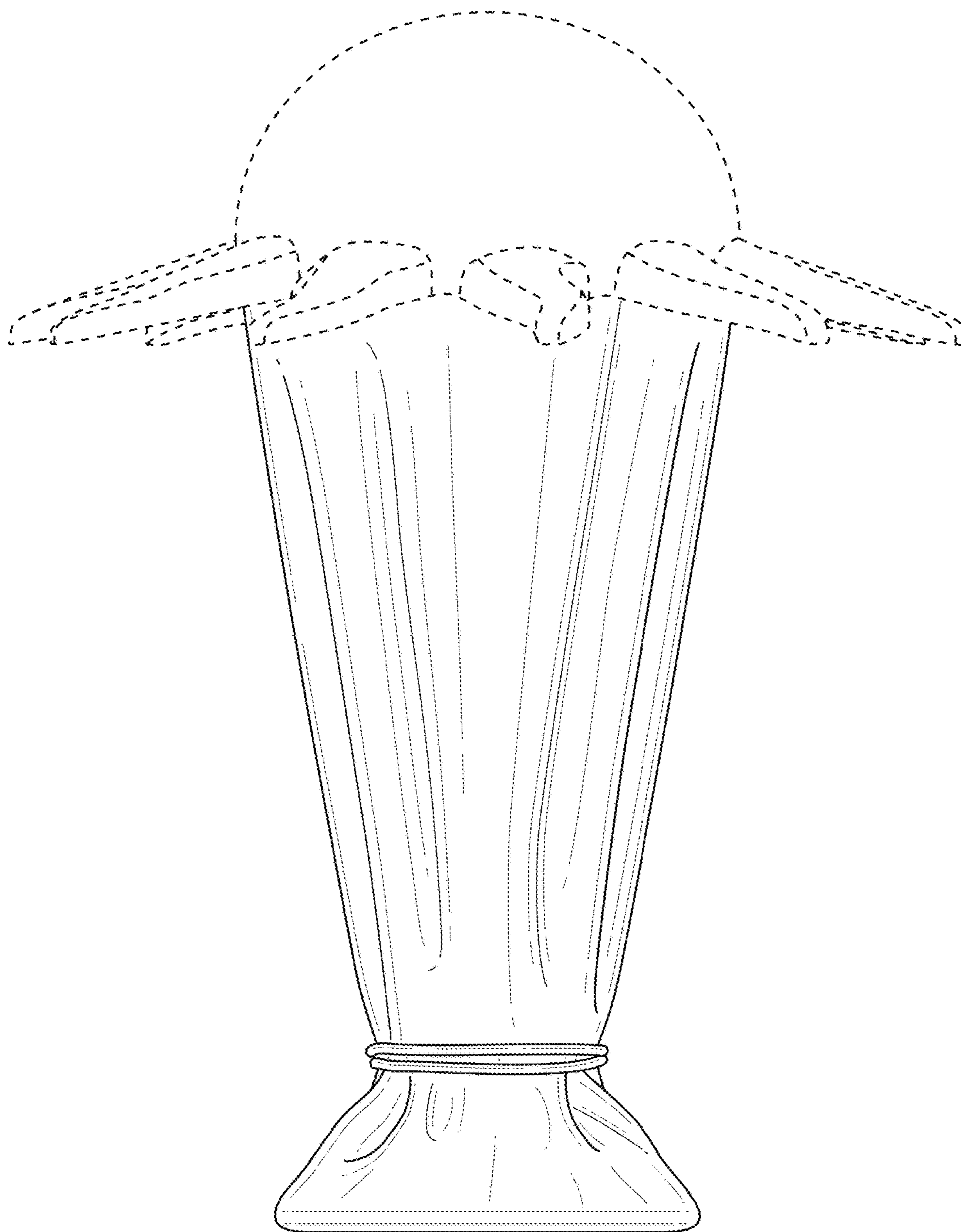
\* cited by examiner



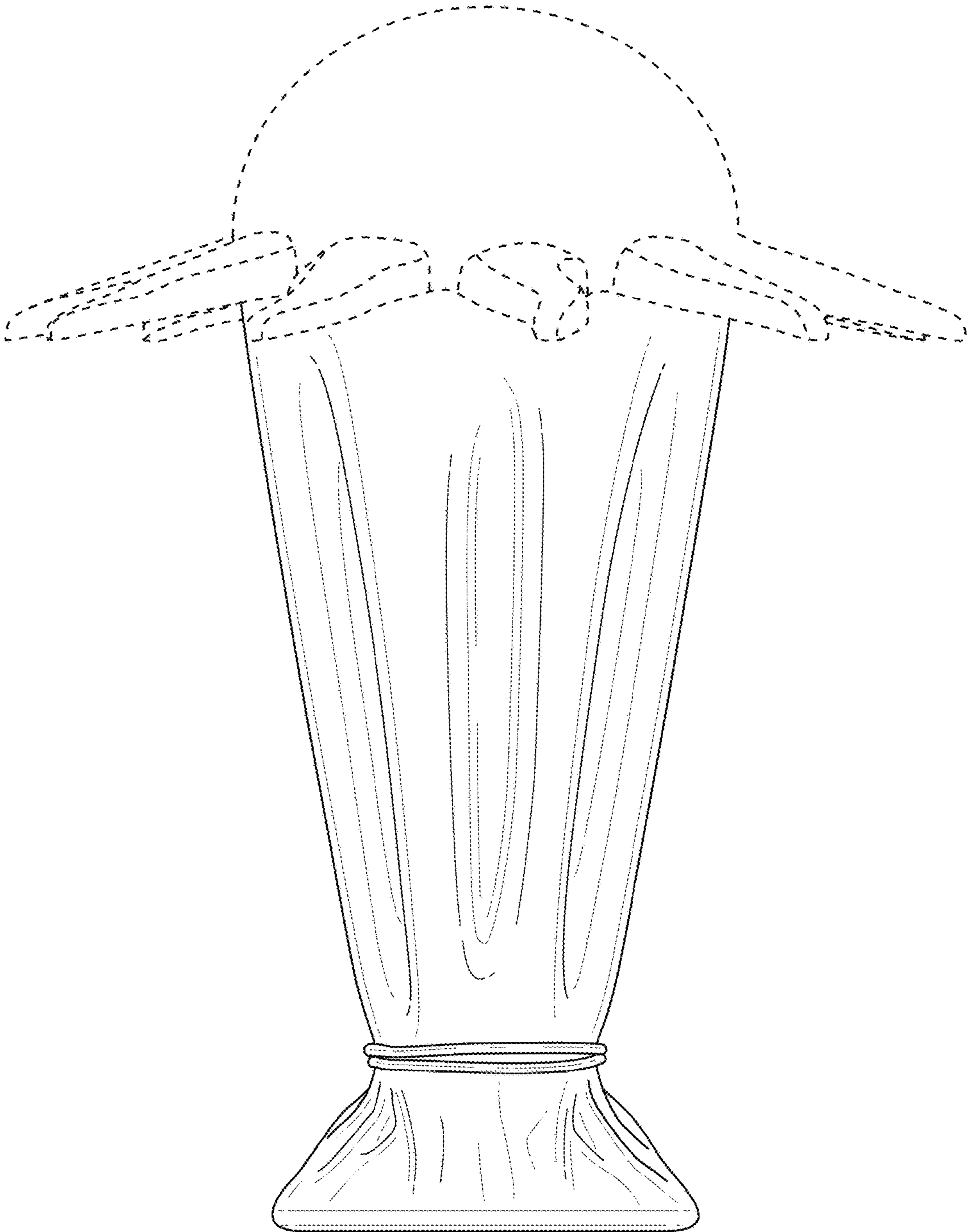
**FIG. 1**



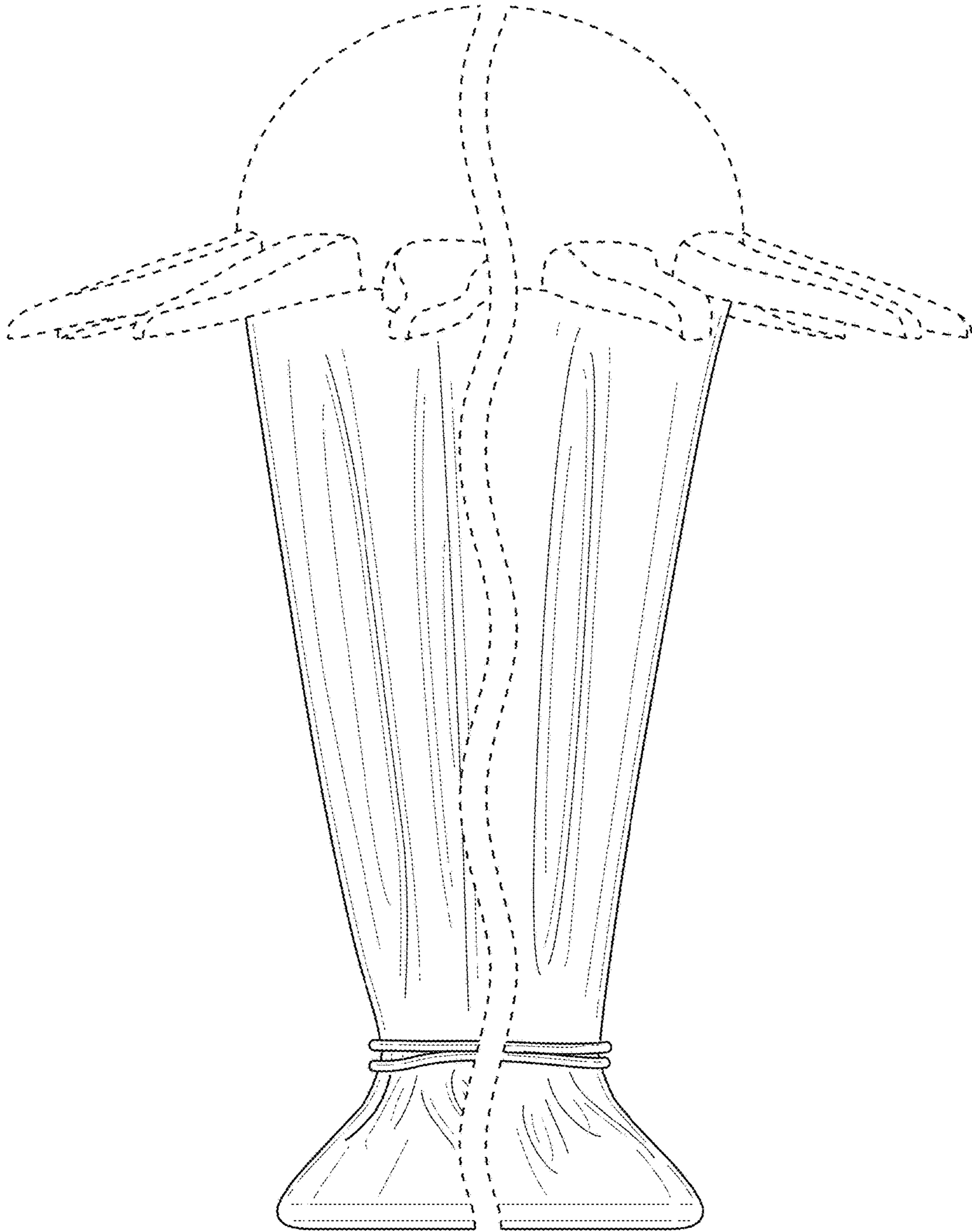
**FIG. 2**



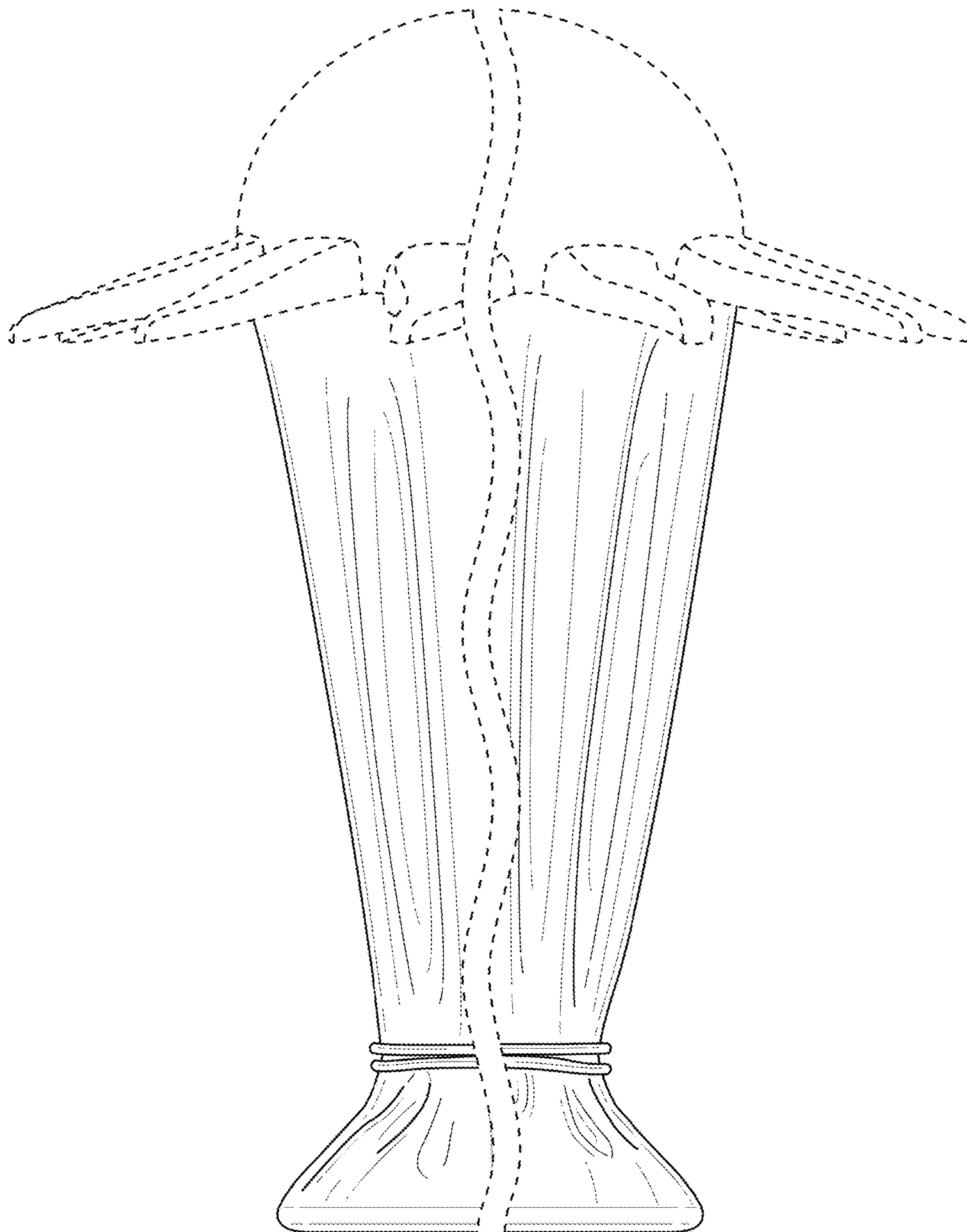
**FIG. 3**



**FIG. 4**

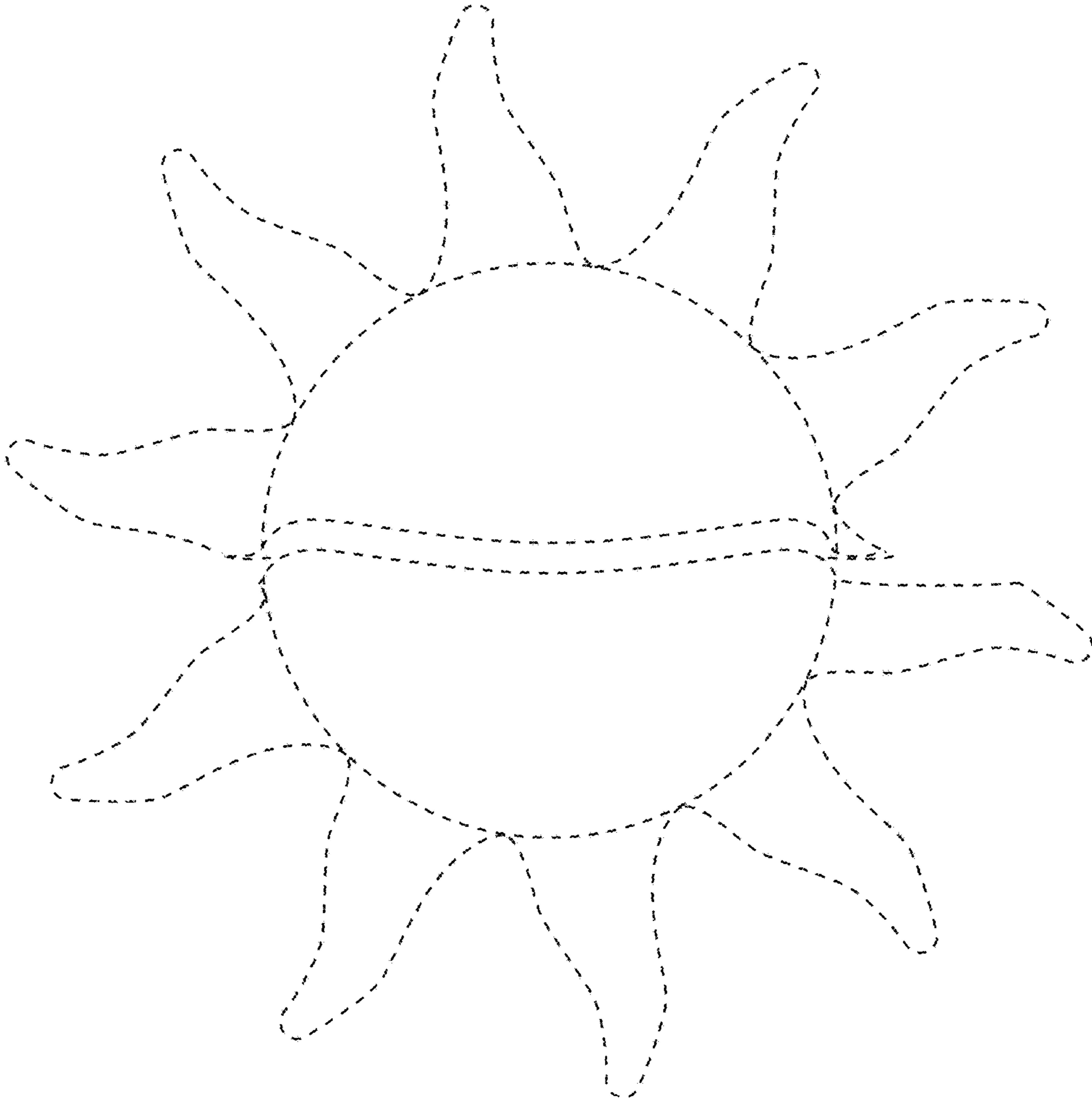


**FIG. 5**

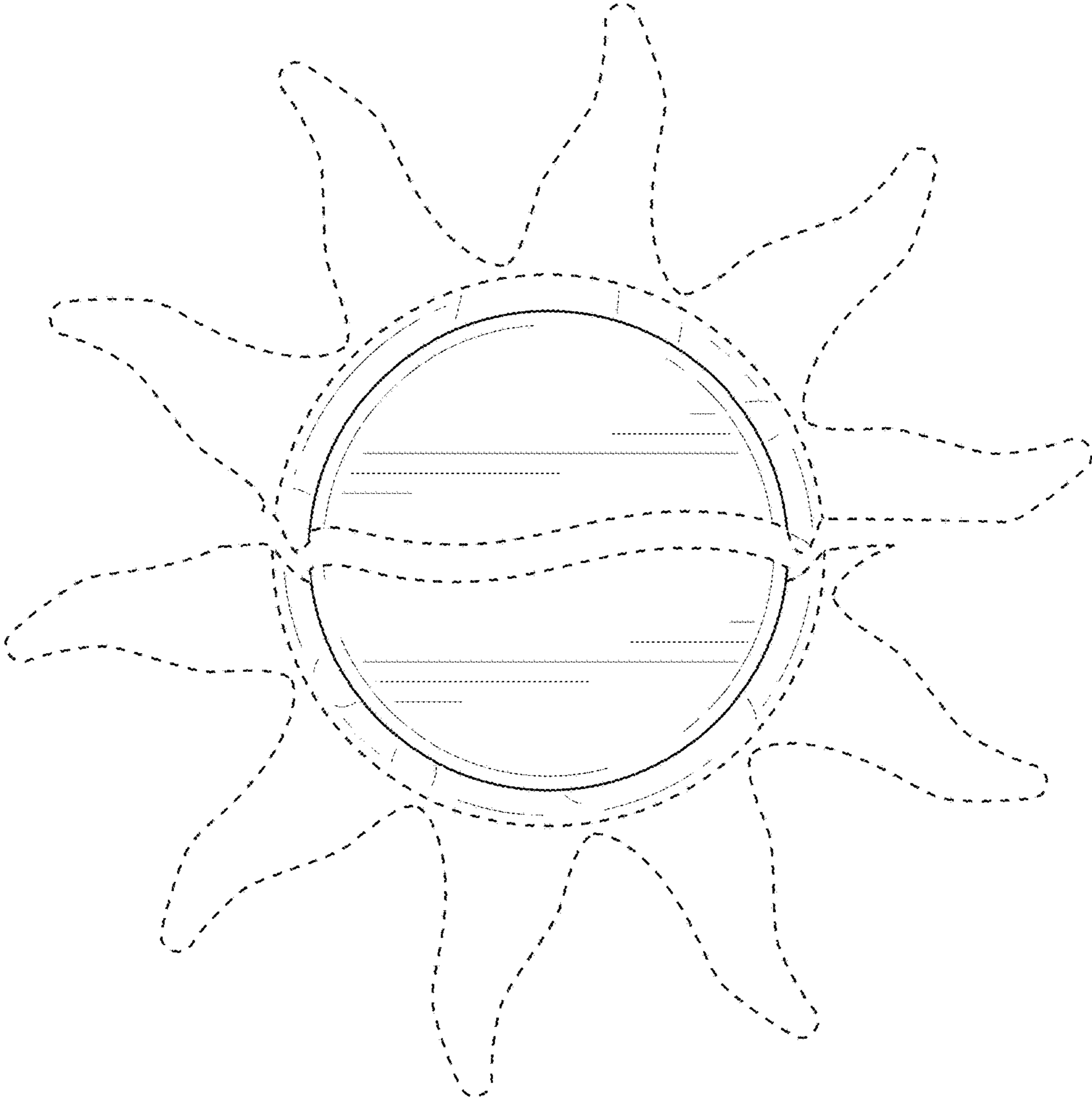


**FIG. 6**

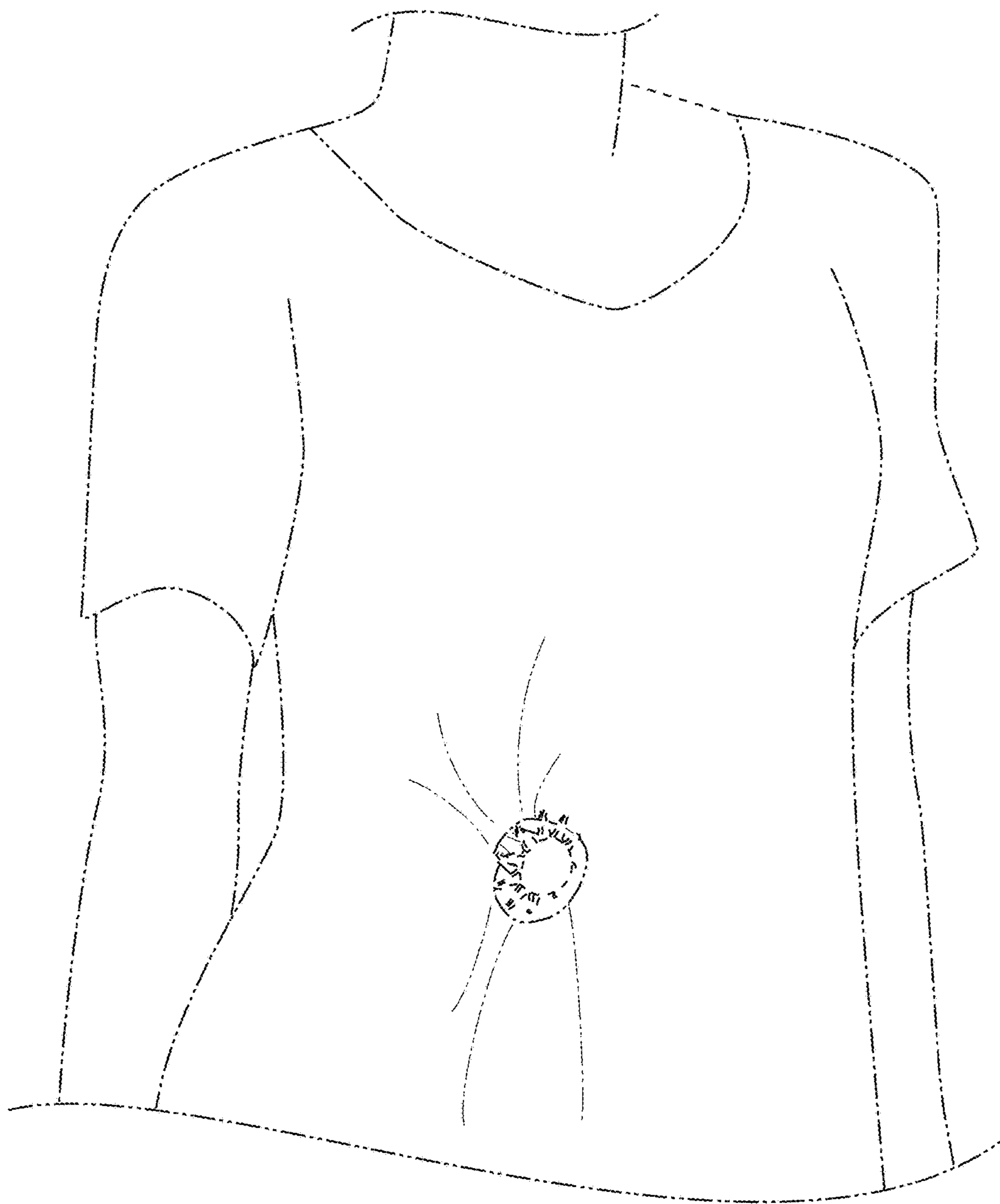




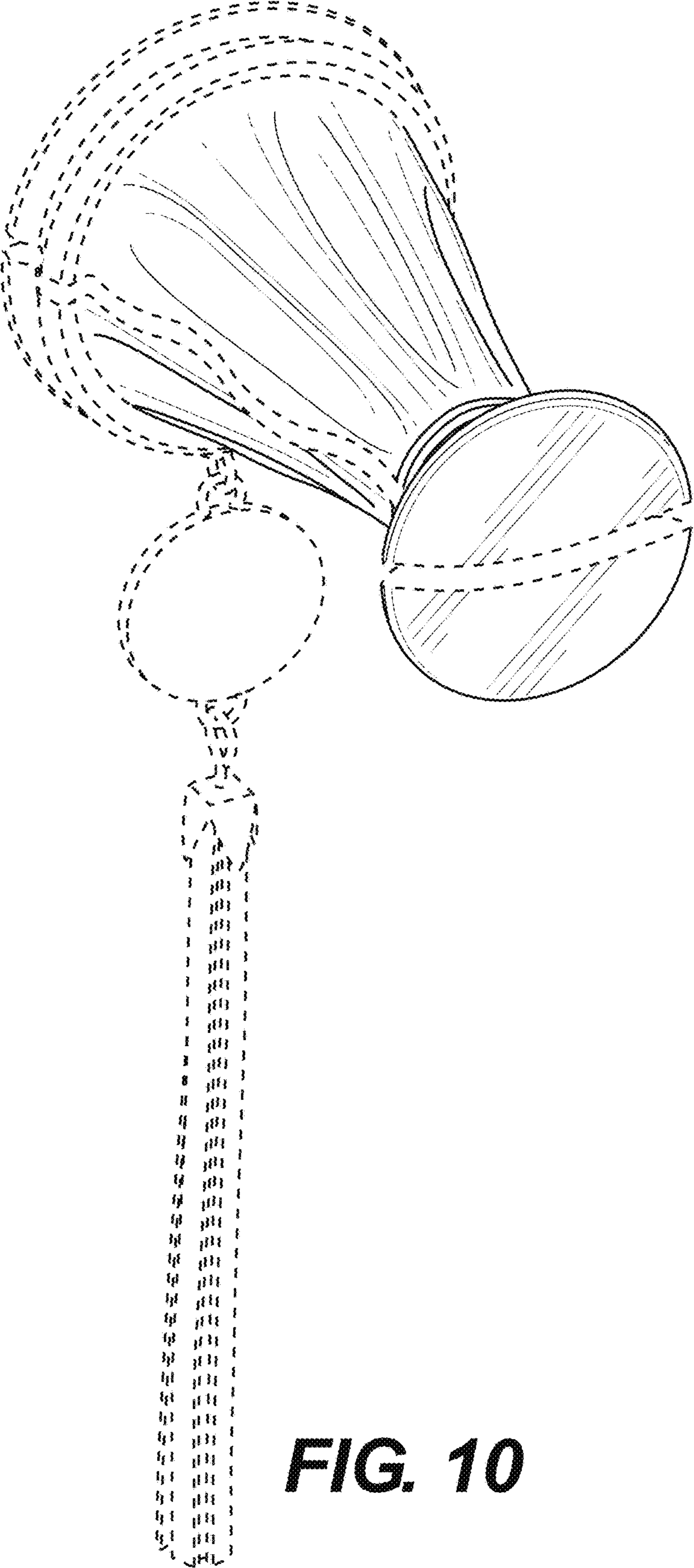
**FIG. 7**



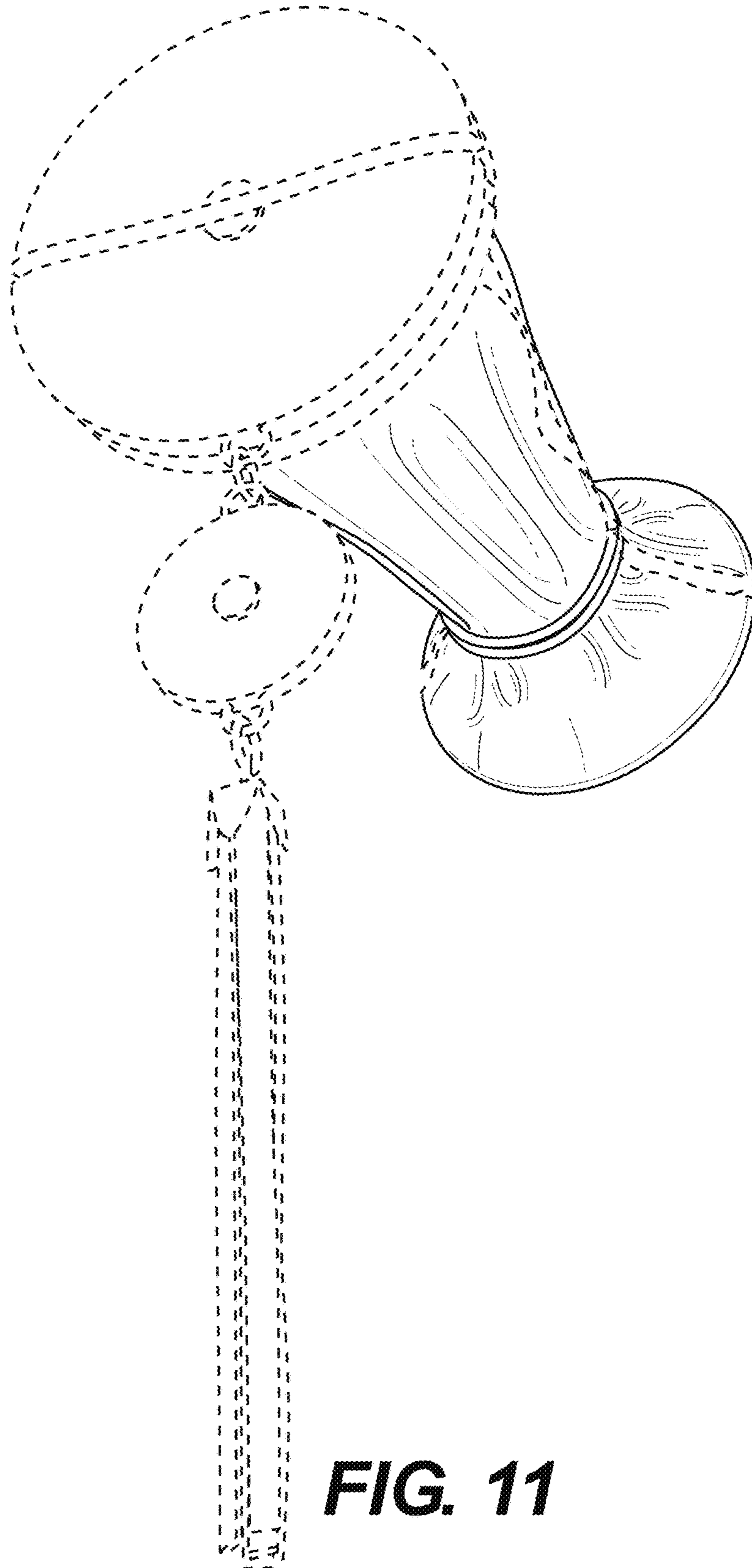
**FIG. 8**



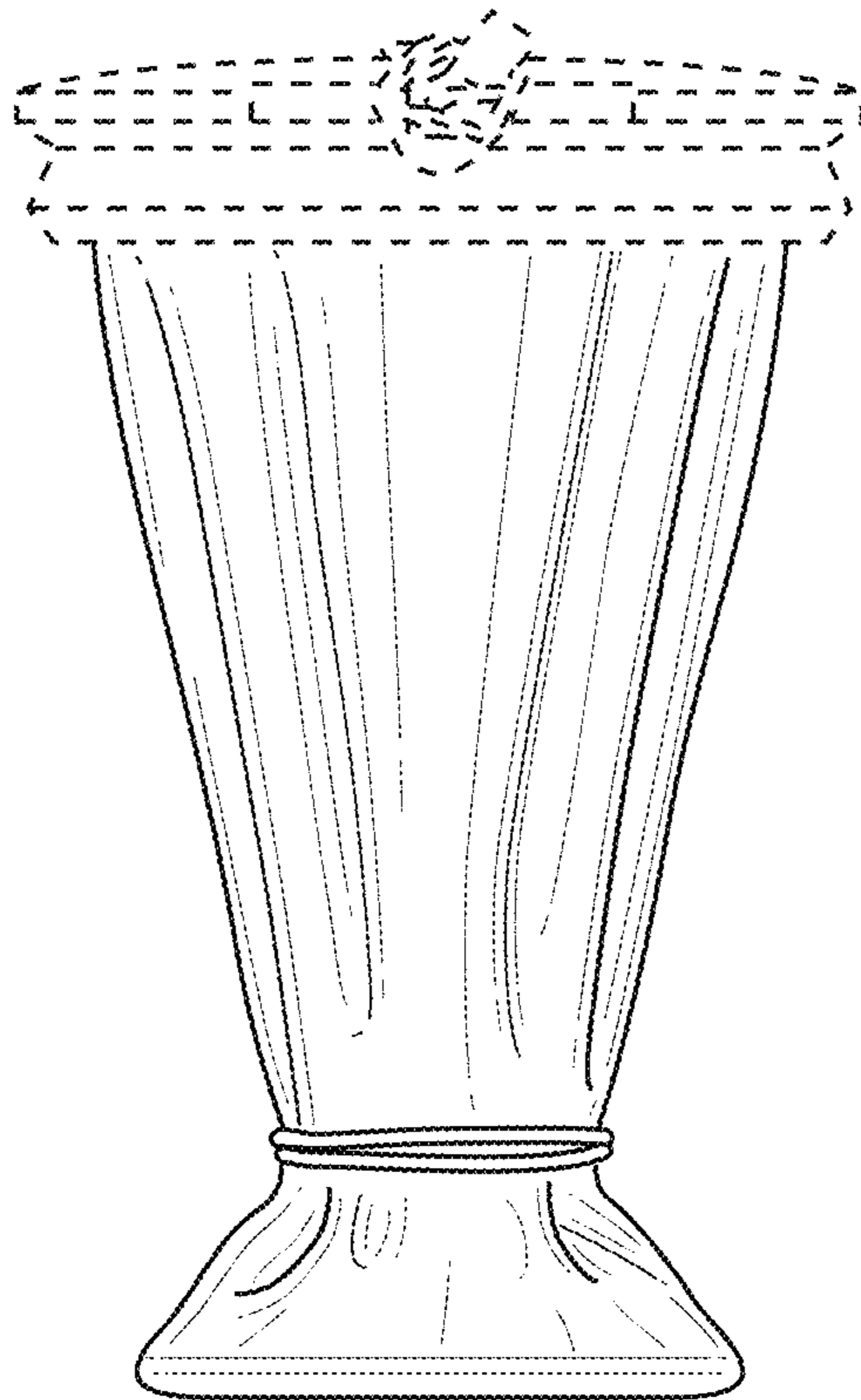
**FIG. 9**



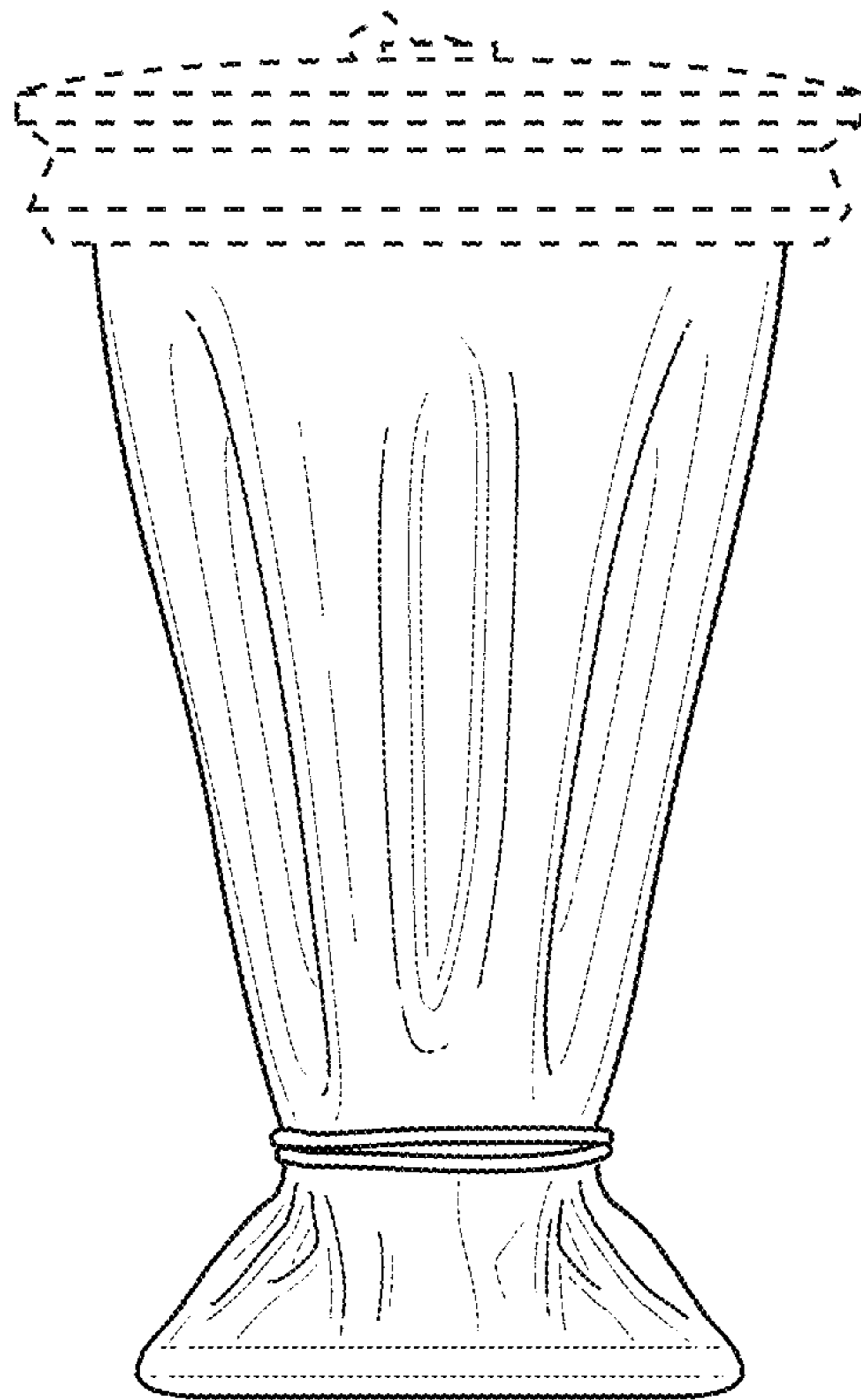
**FIG. 10**



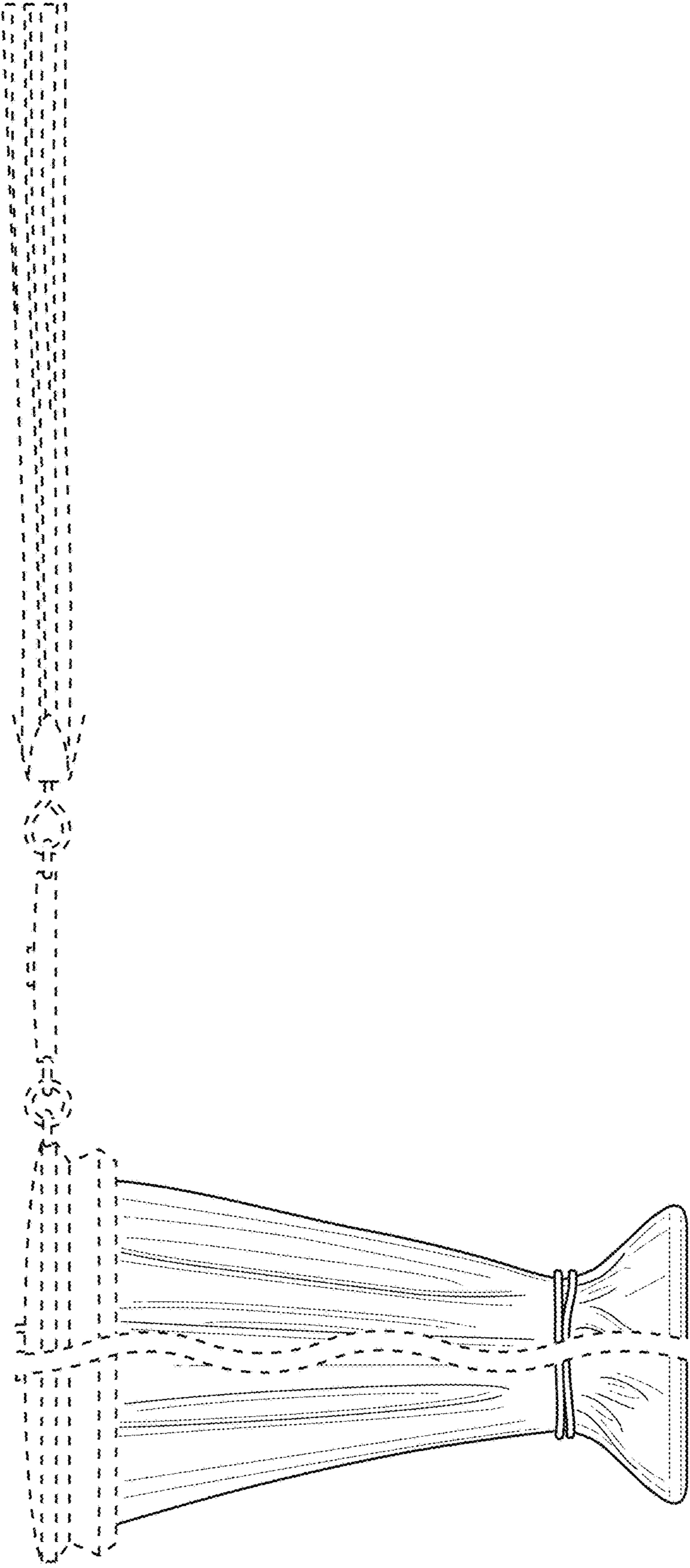
**FIG. 11**



**FIG. 12**

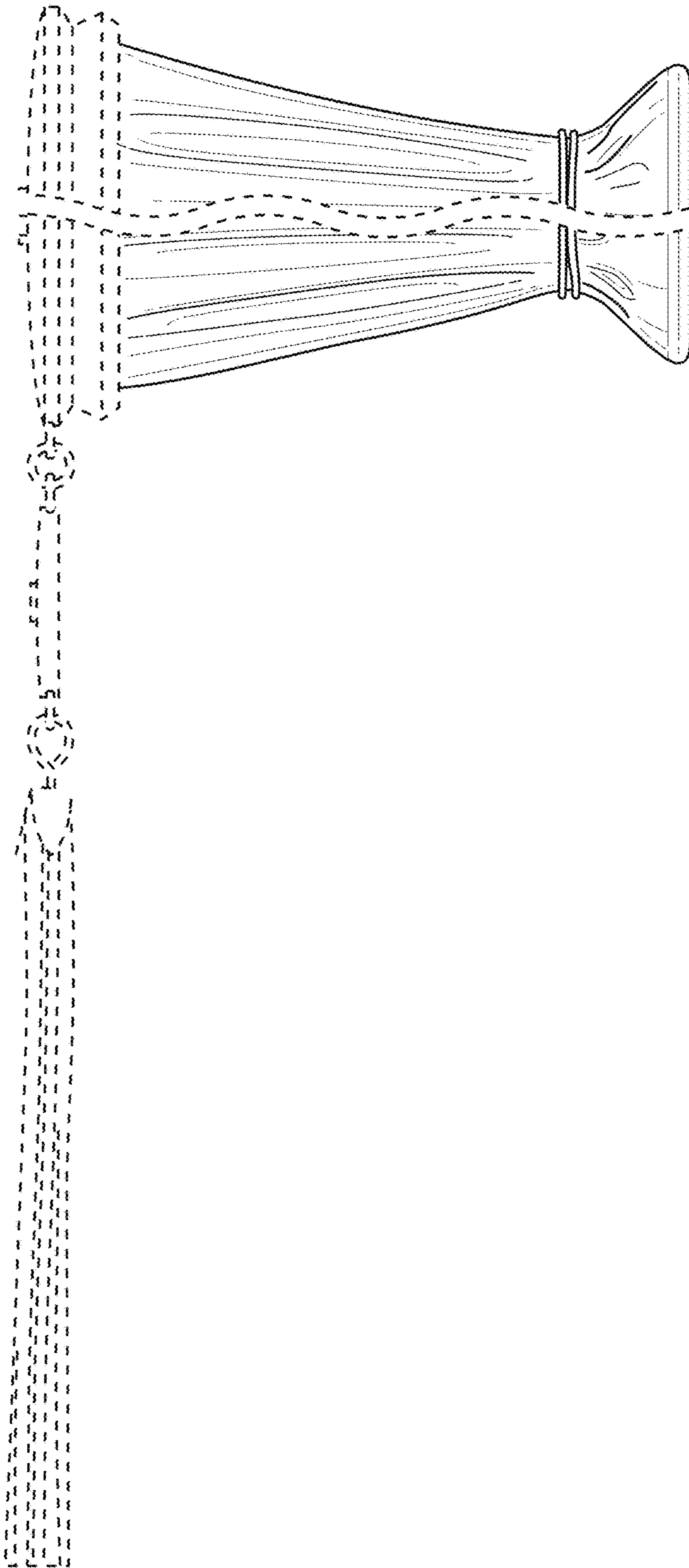


**FIG. 13**

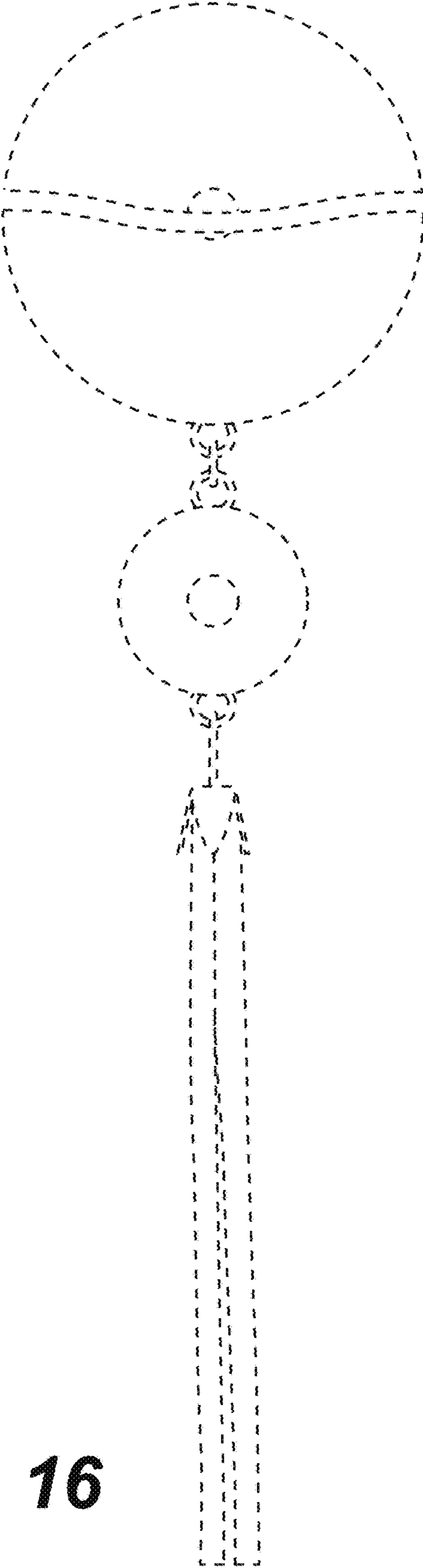


**FIG. 14**

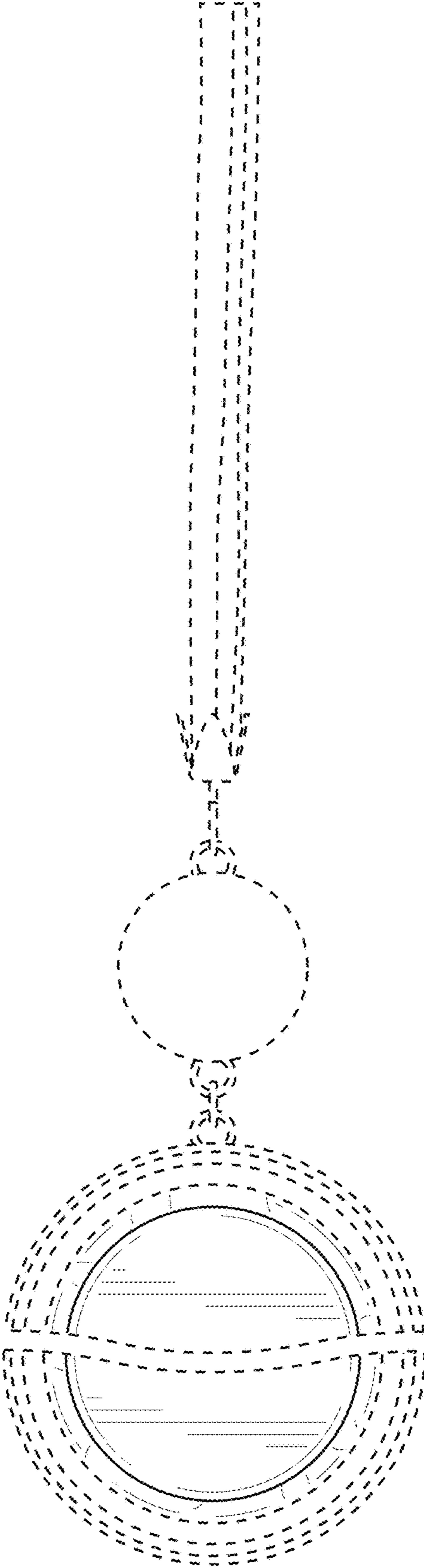




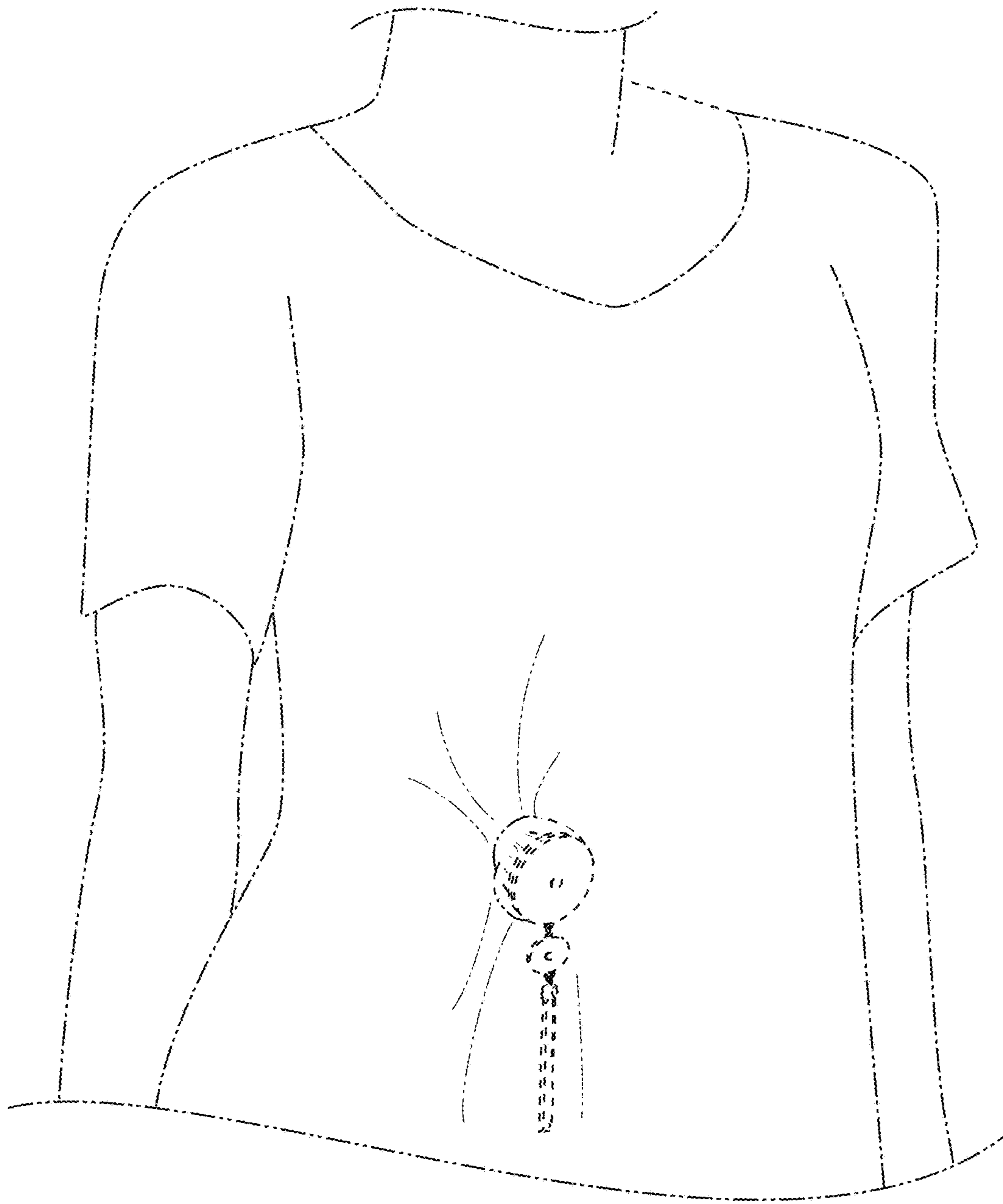
**FIG. 15**



**FIG. 16**



**FIG. 17**



**FIG. 18**