

US00D831935S

(12) **United States Design Patent** (10) **Patent No.:** **US D831,935 S**  
**Ly** (45) **Date of Patent:** **\*\* Oct. 30, 2018**

(54) **CONVERTIBLE PANTS**  
(71) Applicant: **The North Face Apparel Corp.,**  
Wilmington, DE (US)  
(72) Inventor: **John Ly,** Oakland, CA (US)  
(73) Assignee: **The North Face Apparel Corp.,**  
Wilmington, DE (US)  
(\*\*) Term: **15 Years**  
(21) Appl. No.: **29/588,003**  
(22) Filed: **Dec. 16, 2016**  
(51) **LOC (11) Cl.** ..... **02-02**  
(52) **U.S. Cl.**  
USPC ..... **D2/742**  
(58) **Field of Classification Search**  
USPC ..... D2/711-712, 716-717, 728, 731, 738,  
D2/742, 748, 791, 851; 2/228, 237, 238,  
2/275, 244, 400, 404, 70, 227, 236  
CPC ... A41D 1/08; A41D 1/20; A41D 1/00; A41D  
13/0506; A41D 1/06; A41D 1/067; A41D  
1/062; A41D 1/082; A41D 1/084; A41D  
1/086; A41D 1/088; A41D 7/00; A41D  
7/001; A41D 7/005; A41D 7/006; A41D  
13/02; A41D 13/0543; A41D 13/0562;  
A41D 13/065; A41B 9/02  
See application file for complete search history.

(56) **References Cited**  
U.S. PATENT DOCUMENTS  
4,190,908 A \* 3/1980 Herskind ..... A41D 1/06  
2/213  
D261,324 S \* 10/1981 Catron ..... D2/738  
4,766,613 A 8/1988 Wells  
D333,203 S \* 2/1993 Jones ..... D2/738  
D341,693 S \* 11/1993 Nichols ..... D2/738  
5,864,888 A 2/1999 Archer  
6,336,226 B1 1/2002 Garcia

6,978,484 B2 12/2005 Donlan et al.  
D527,169 S \* 8/2006 Kubler ..... D2/742  
D641,134 S \* 7/2011 Zarabi ..... D2/712  
D668,433 S 10/2012 Boyle  
D698,520 S \* 2/2014 Anderson ..... D2/742  
8,832,867 B2 \* 9/2014 Boyle ..... A41D 15/002  
2/227  
D734,000 S \* 7/2015 Boyle ..... D2/742  
D765,347 S \* 9/2016 Pasloski ..... D2/742  
D779,788 S \* 2/2017 Murphy ..... D2/738  
D788,407 S \* 6/2017 Keys ..... D2/742  
D789,037 S \* 6/2017 Carvalho ..... D2/742  
9,668,525 B2 \* 6/2017 Boyle ..... A41D 1/06  
2004/0040068 A1 \* 3/2004 Silver ..... A41D 1/08  
2/227  
2008/0115252 A1 \* 5/2008 Dahan ..... A41D 1/06  
2/79  
2013/0125287 A1 5/2013 Boyle

\* cited by examiner

*Primary Examiner* — Eric L Goodman  
*Assistant Examiner* — Amy C Wierenga  
(74) *Attorney, Agent, or Firm* — Baker & Hostetler LLP

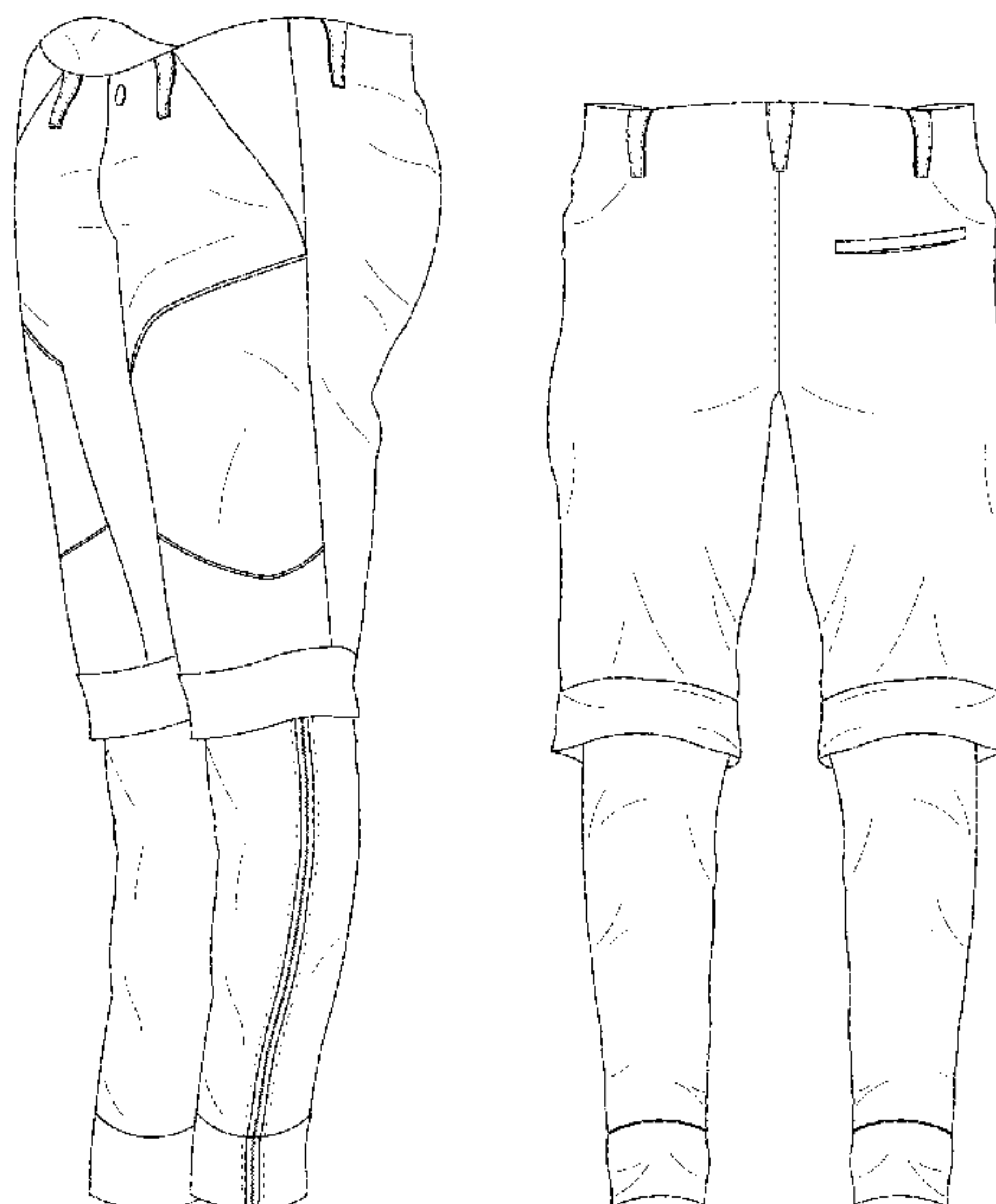
(57) **CLAIM**

The design for convertible pants, as shown and described.

**DESCRIPTION**

FIG. 1 is a front, left perspective view of a convertible pants according to my design;  
FIG. 2 is a front elevation view thereof;  
FIG. 3 is a rear elevation view thereof;  
FIG. 4 is a top plan view thereof;  
FIG. 5 is a bottom plan view thereof;  
FIG. 6 is a right side elevation view thereof;  
FIG. 7 is a left side elevation view thereof; and,  
FIG. 8 is a front, left perspective view thereof, showing a leg of the convertible pants partially converted.  
The broken lines shown in the drawings depict portions of the article that form no part of the claimed design.

**1 Claim, 5 Drawing Sheets**



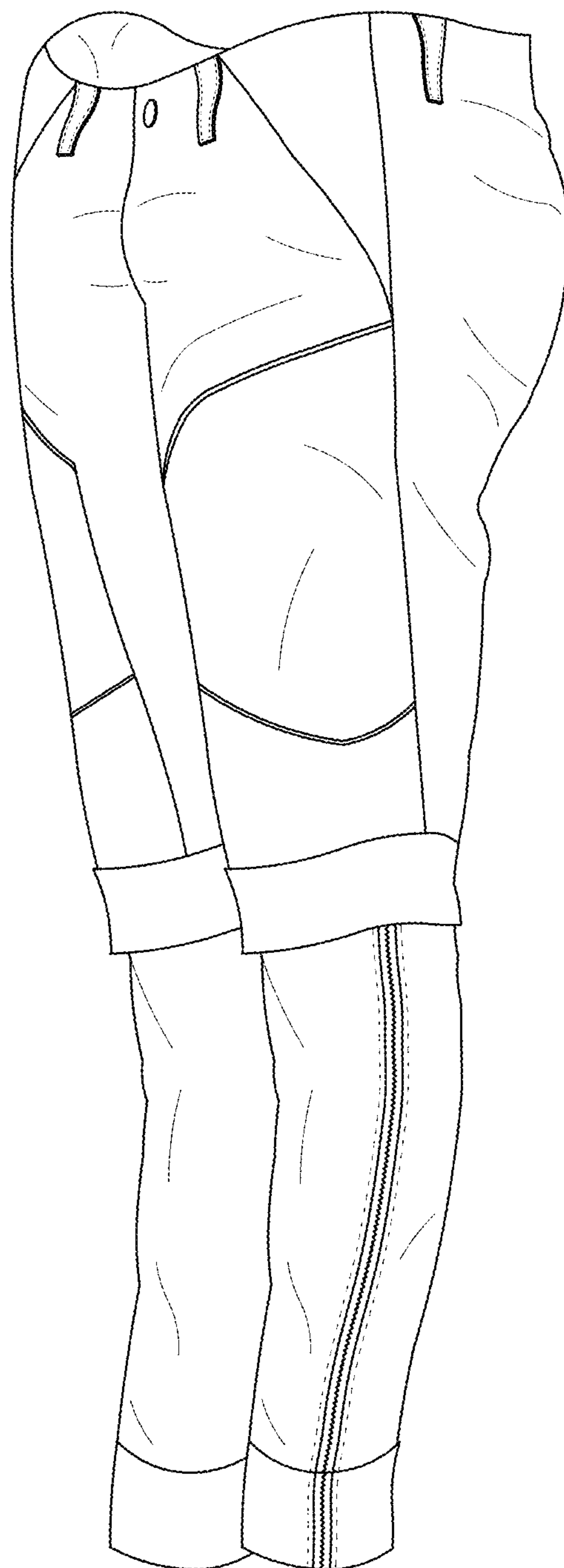


FIG. 1

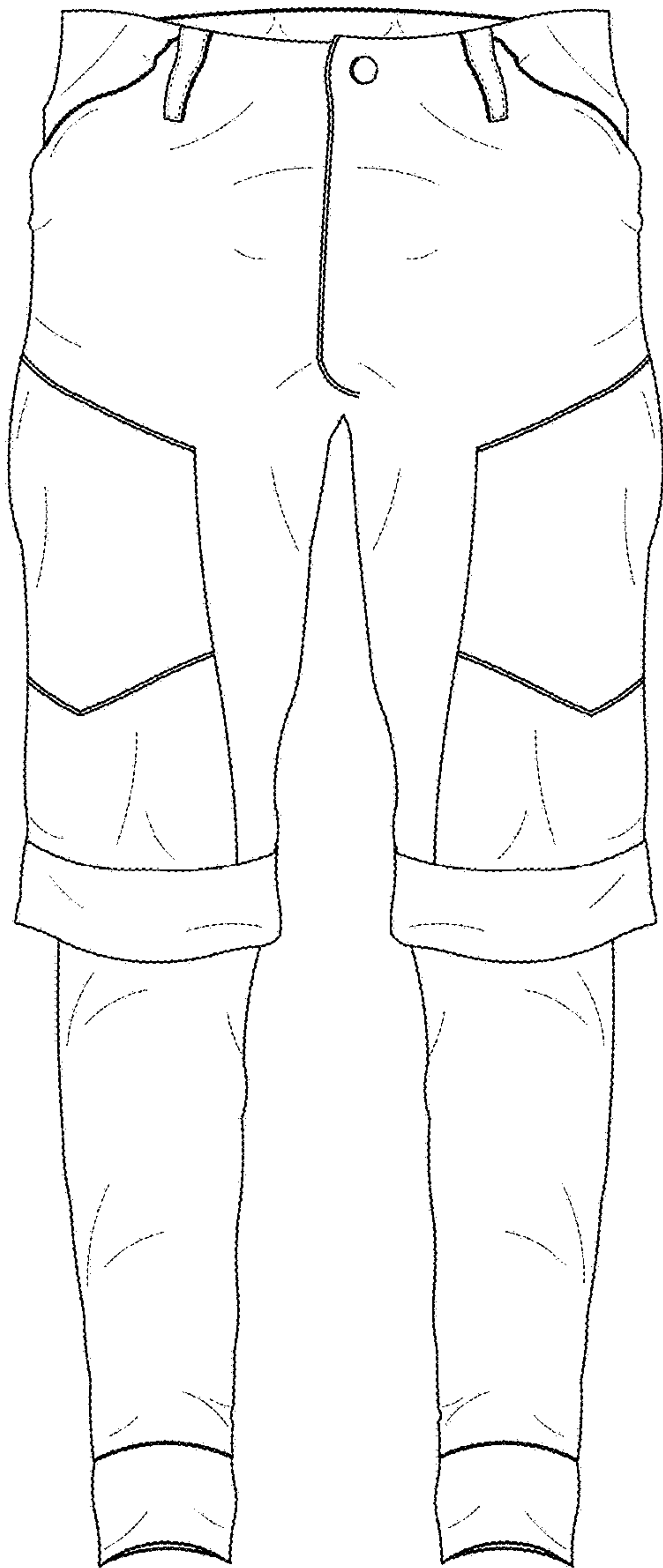


FIG. 2

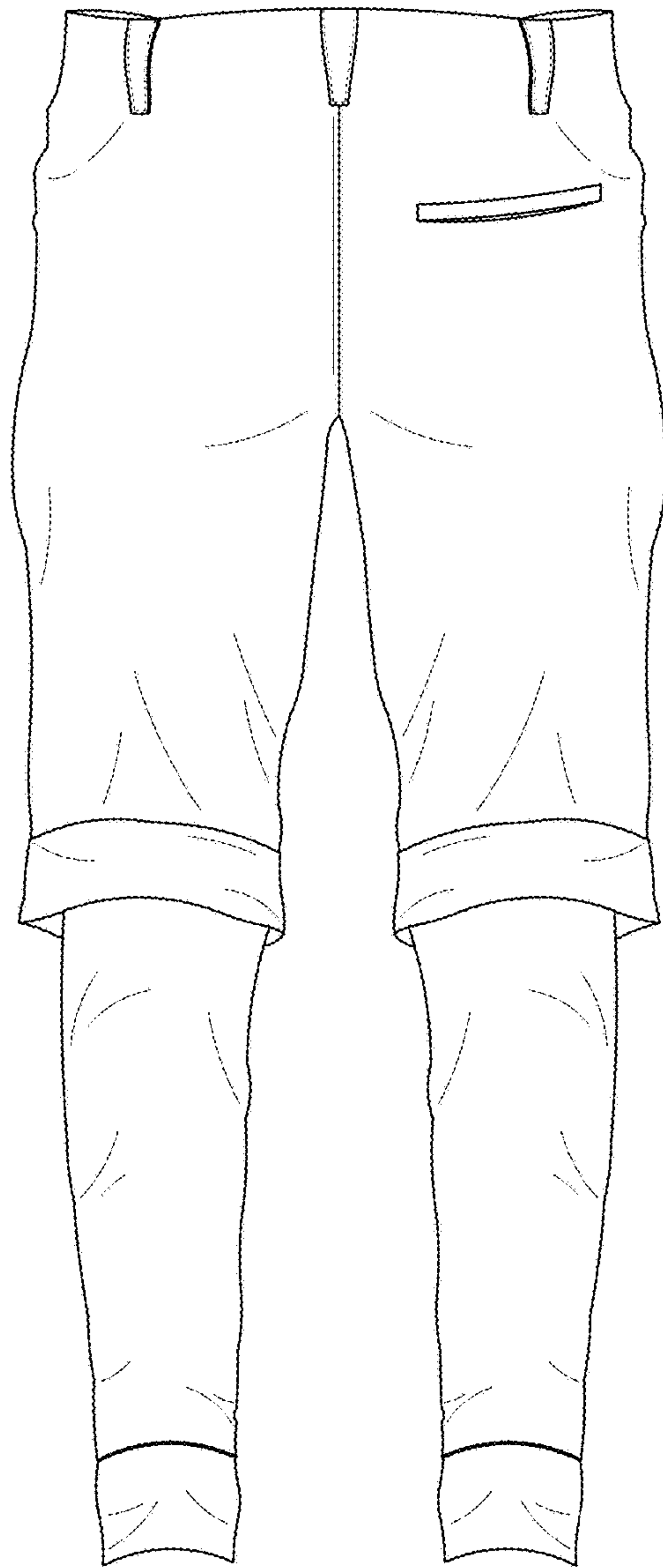


FIG. 3

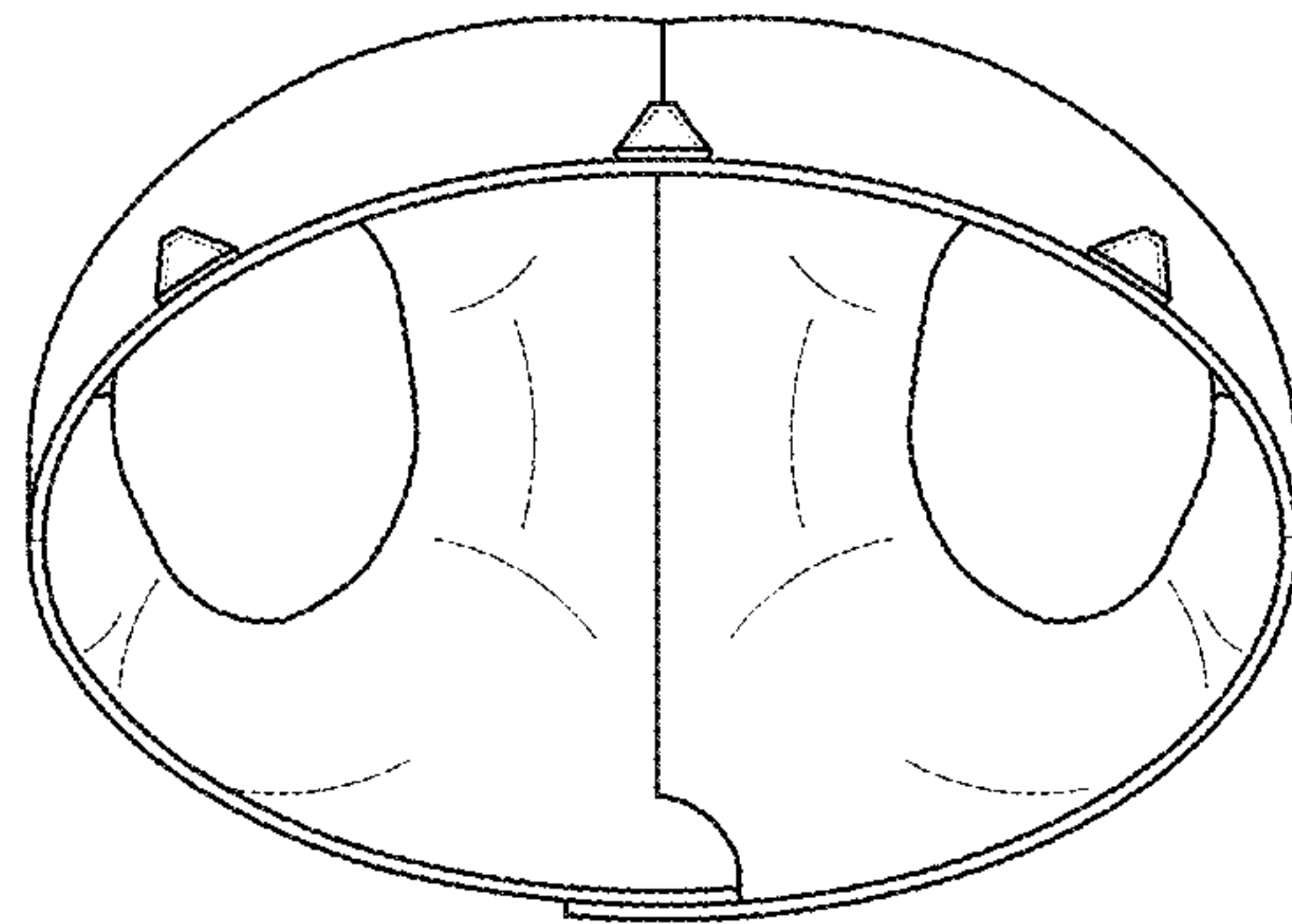


FIG. 4

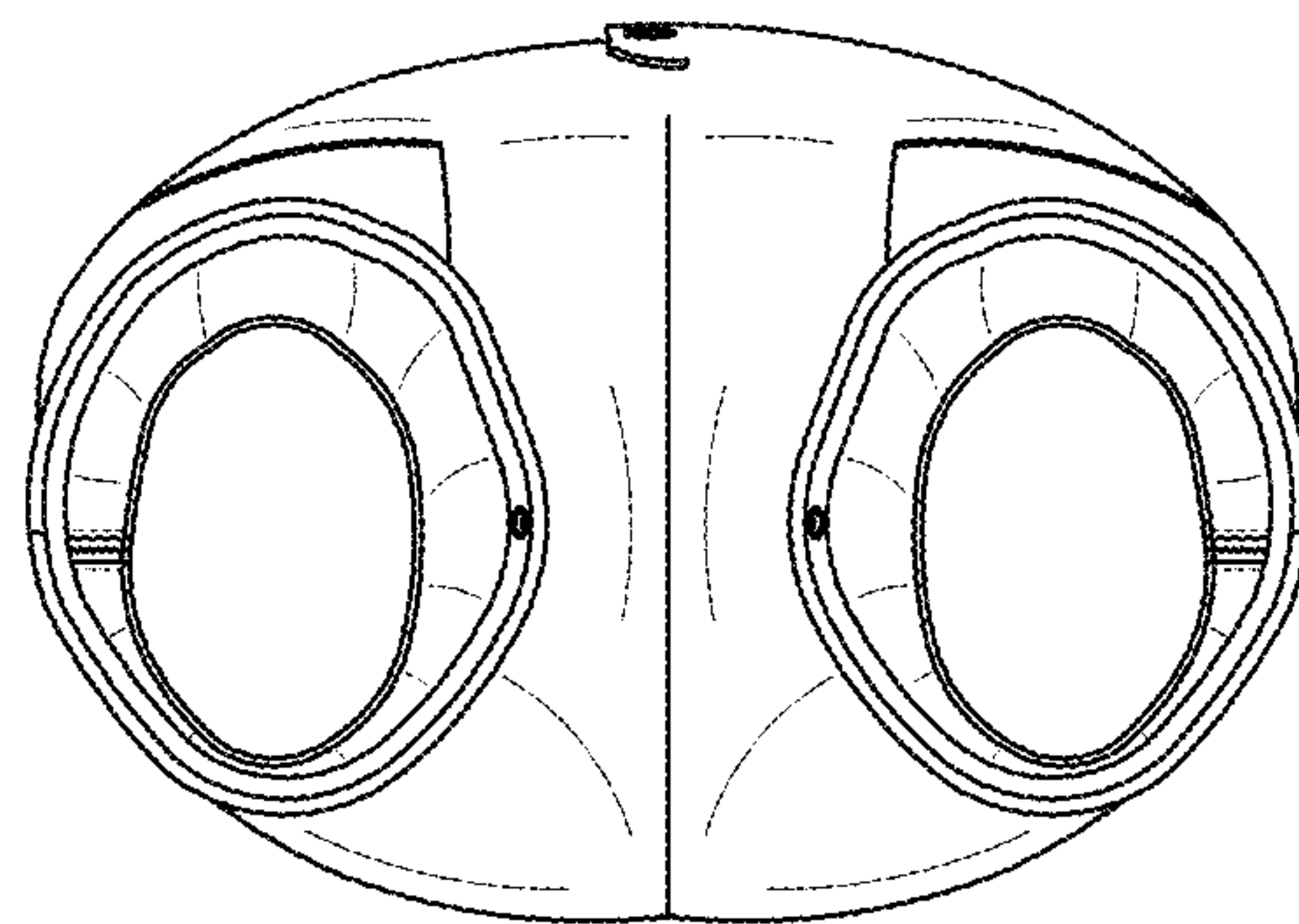


FIG. 5

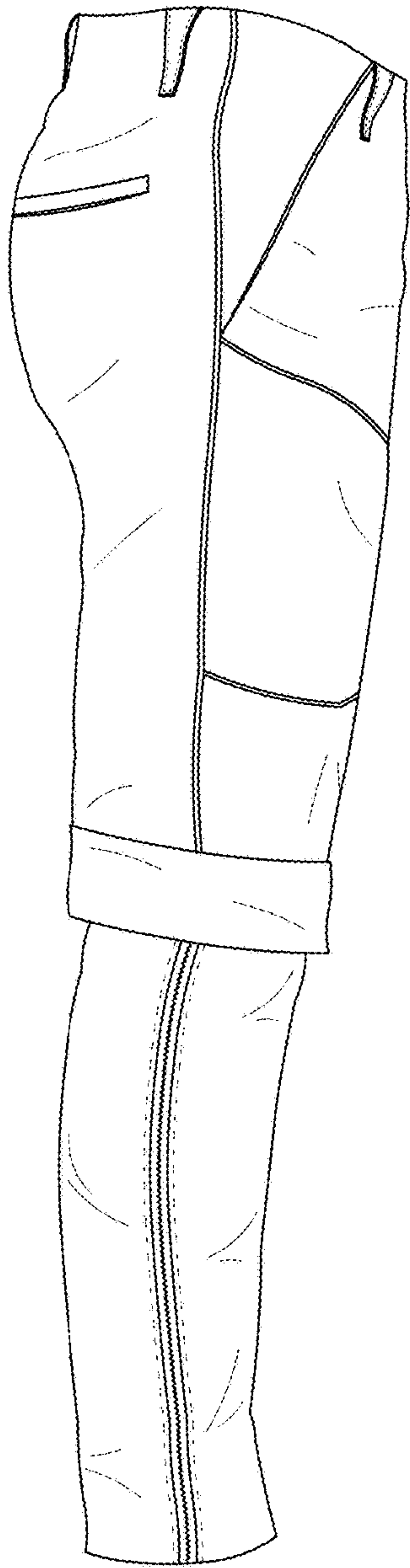


FIG. 6

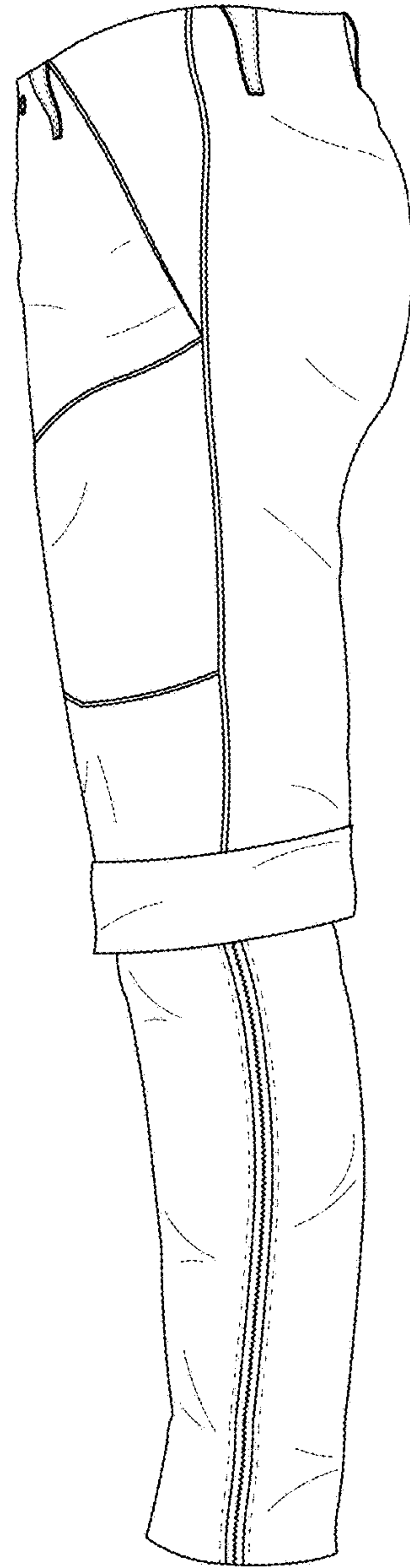


FIG. 7



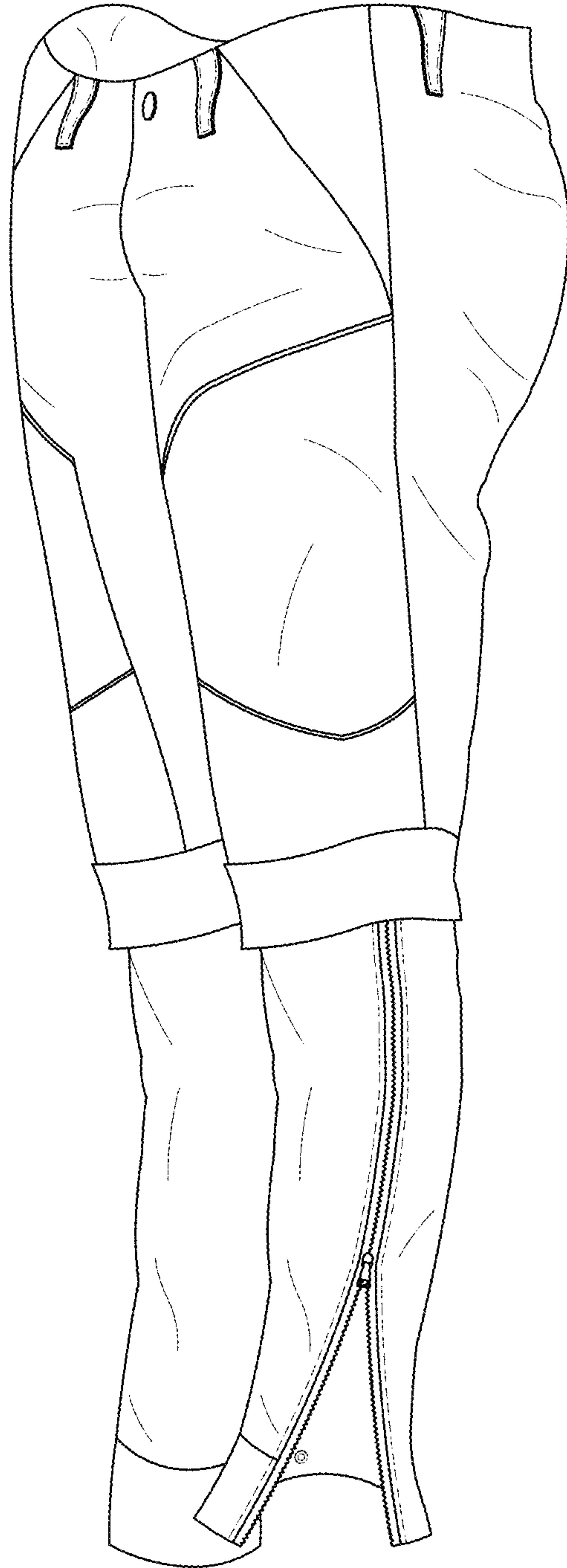


FIG. 8