



US00D831934S

(12) **United States Design Patent** (10) **Patent No.:** **US D831,934 S**
Lee (45) **Date of Patent:** **** Oct. 30, 2018**

(54) **MATERNITY DRESS**
(71) Applicant: **Young-Hwa Lee**, Yongin-si (KR)
(72) Inventor: **Young-Hwa Lee**, Yongin-si (KR)
(**) Term: **15 Years**
(21) Appl. No.: **29/616,598**
(22) Filed: **Sep. 7, 2017**
(30) **Foreign Application Priority Data**
Apr. 4, 2017 (KR) 30-2017-0015557
(51) **LOC (11) Cl.** **02-02**
(52) **U.S. Cl.**
USPC **D2/739**
(58) **Field of Classification Search**
USPC D2/700, 701, 702, 703, 718, 720, 721,
D2/722, 728, 739, 756, 757, 787, 796,
D2/800, 840, 851, 852, 860, 861, 864;
D5/16, 36; D9/631, 645
CPC ... A41D 1/14; A41D 1/16; A41D 1/21; A41D
1/22; A41D 1/215; A41D 13/129; A41D
13/1209; A41D 13/1236; A41D 15/00;
A41D 2400/03; A41B 9/10; A41B
2400/38; A41C 1/06; A41C 3/08; Y10S
2/913
See application file for complete search history.

(56) **References Cited**
U.S. PATENT DOCUMENTS
1,287,859 A * 12/1918 Bright A41D 1/21
2/76
1,535,528 A * 4/1925 Henderson-Bland A41C 1/06
2/105
D86,089 S * 1/1932 Long D2/794
1,848,040 A * 3/1932 Ash A41D 1/22
2/74
D91,329 S * 1/1934 Redman D2/793

3,160,891 A * 12/1964 MacDonald A41D 13/1236
2/114
3,490,072 A * 1/1970 Keltner A41D 13/1236
2/114
D259,895 S * 7/1981 Hager D2/756
D402,439 S * 12/1998 Marks D2/757
6,014,772 A * 1/2000 Connelly A41D 3/005
2/102
D457,289 S * 5/2002 Shorr D2/720
D478,203 S * 8/2003 Wheeler-Dickson D2/720
D514,279 S * 2/2006 Lindquist D2/720
7,549,178 B2 * 6/2009 Lin A41D 13/1209
2/114
D635,739 S * 4/2011 Toms D2/720
D731,153 S * 6/2015 Bien D2/847
D738,068 S * 9/2015 Boland D2/720
D799,160 S * 10/2017 Meng D2/756
(Continued)

OTHER PUBLICATIONS

“Dresses” Aug. 4, 2017, nzbzd.com, site visited Jun. 18, 2018
<<http://www.nzbzd.com/Venus-com-Dressessuzsoiec/3>> (Year: 2017).*

Primary Examiner — Kevin K Rudzinski
Assistant Examiner — Paul D Bohannon
(74) *Attorney, Agent, or Firm* — Rabin & Berdo, P.C.

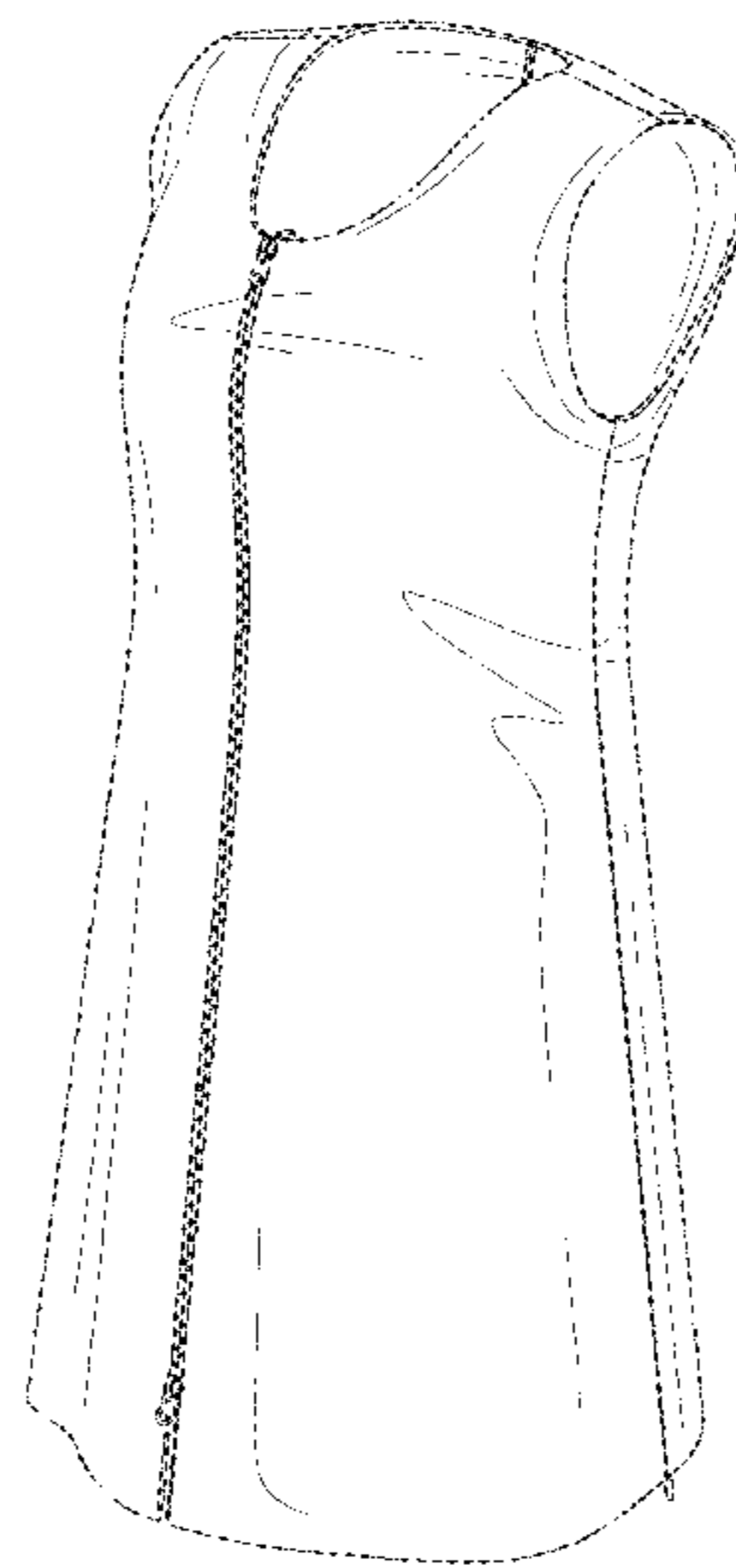
(57) **CLAIM**

The ornamental design for a maternity dress, as shown and described.

DESCRIPTION

FIG. 1 is a front perspective view of a maternity dress;
FIG. 2 is a front elevational view thereof;
FIG. 3 is a rear elevational view thereof;
FIG. 4 is a left side elevational view thereof;
FIG. 5 is a right side elevational view thereof;
FIG. 6 is a top plan view thereof;
FIG. 7 is a bottom plan view thereof; and,
FIG. 8 is a perspective view thereof; where the waist size of
the maternity dress is adjusted, with zippers being opened.

1 Claim, 8 Drawing Sheets



(56)

References Cited

U.S. PATENT DOCUMENTS

D812,350 S * 3/2018 Lomax D2/756
D812,352 S * 3/2018 Combs D2/864

* cited by examiner

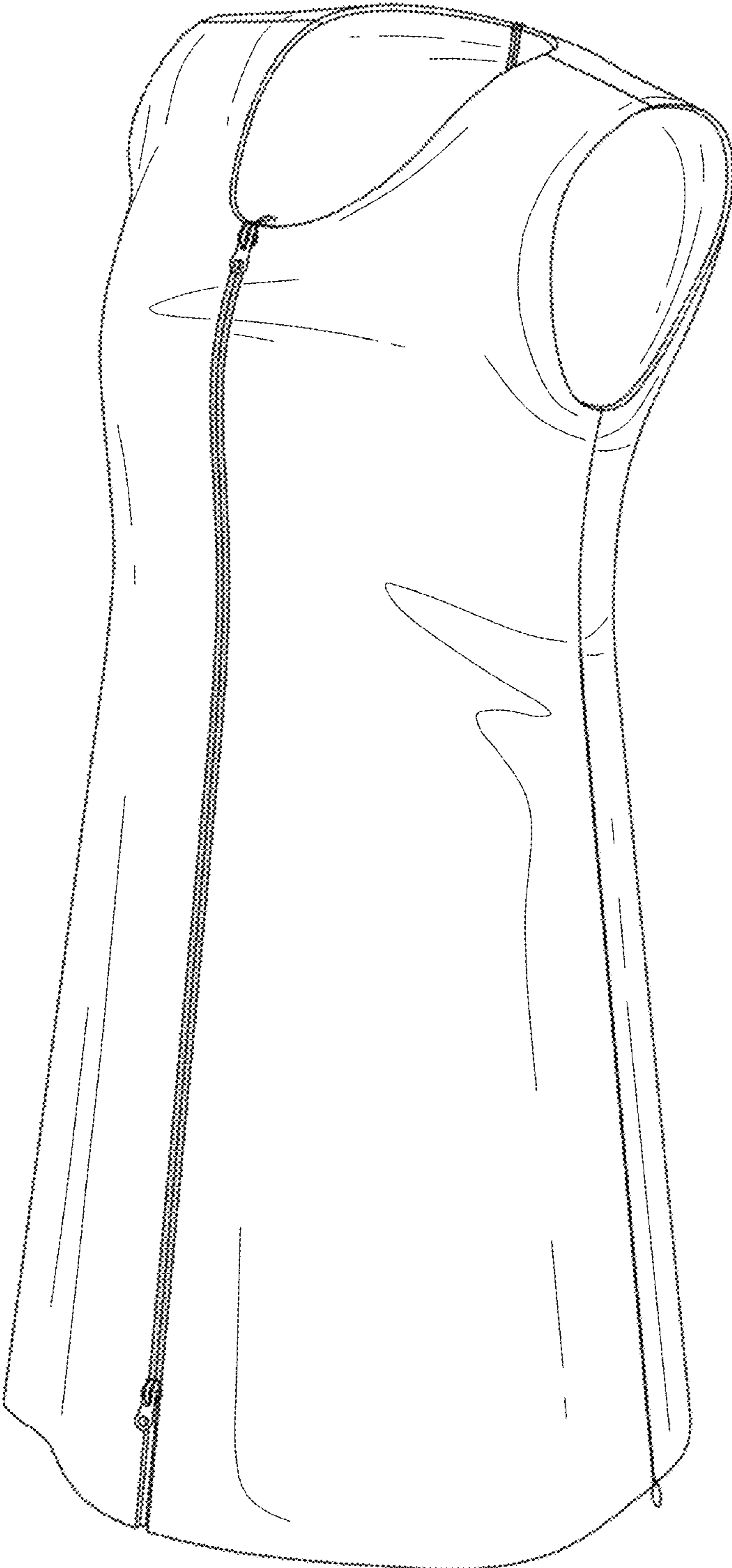


FIG. 1

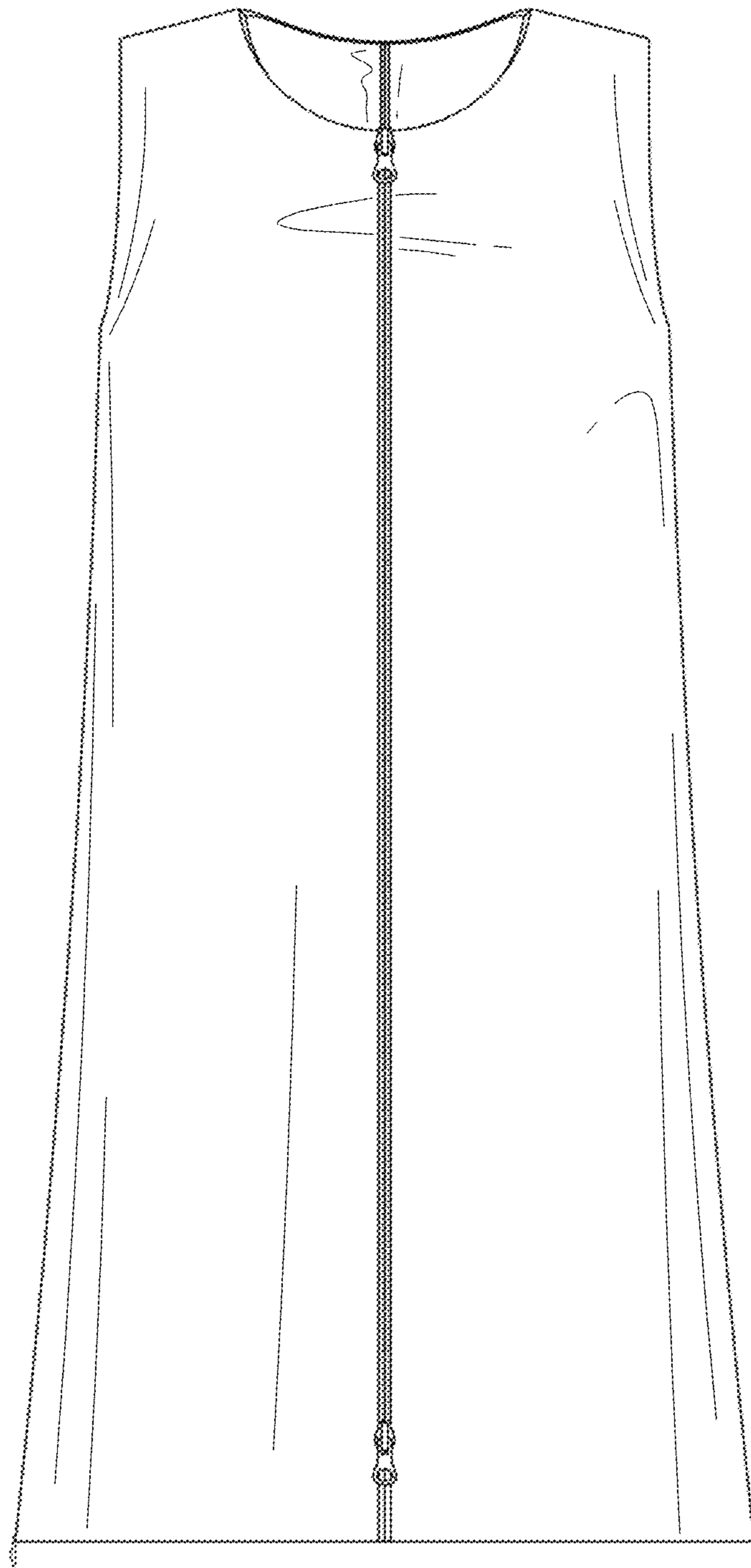


FIG. 2

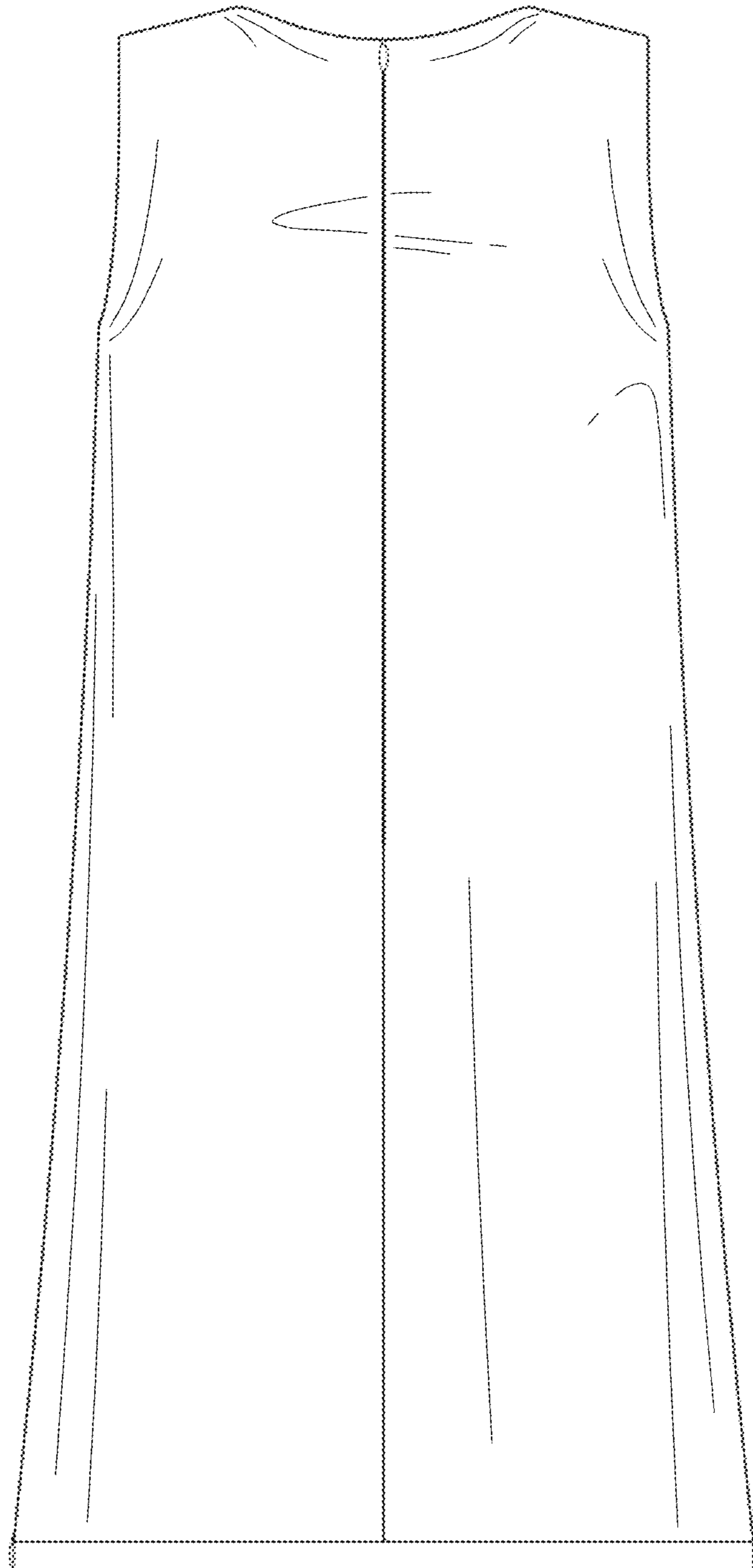


FIG. 3

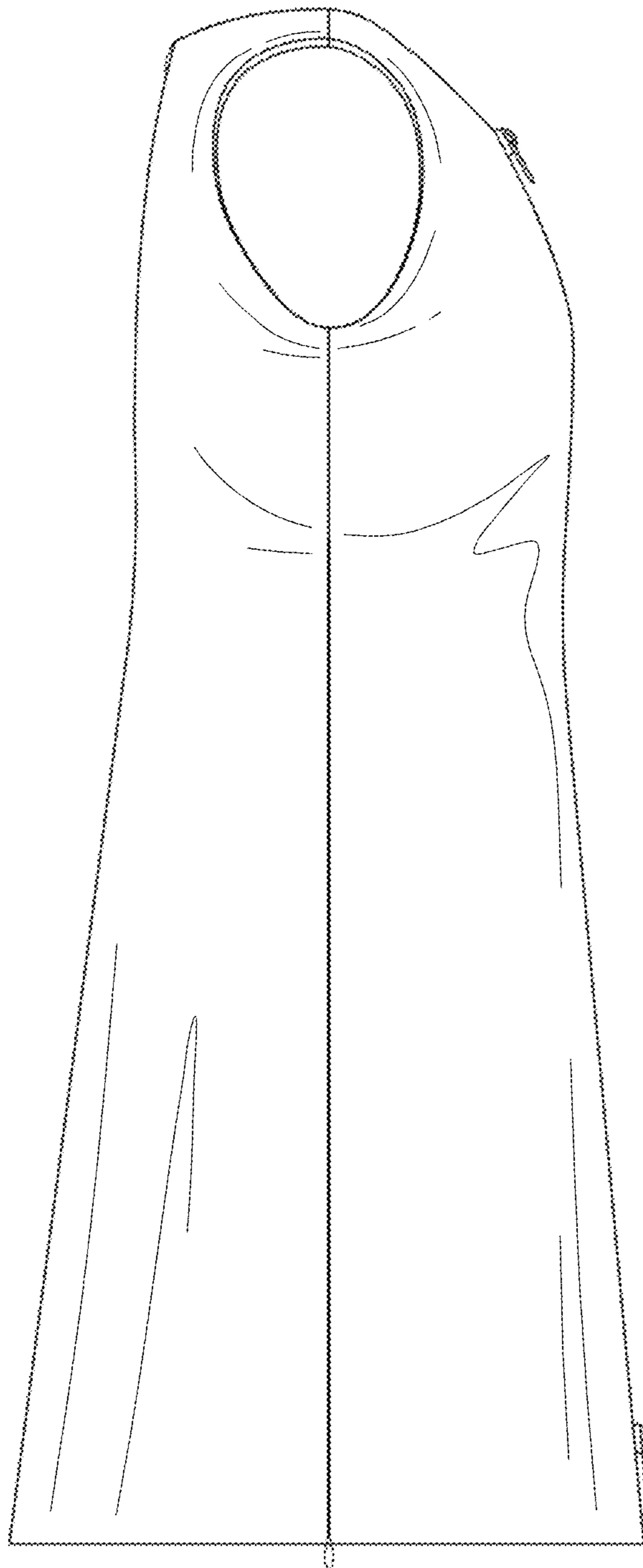


FIG. 4

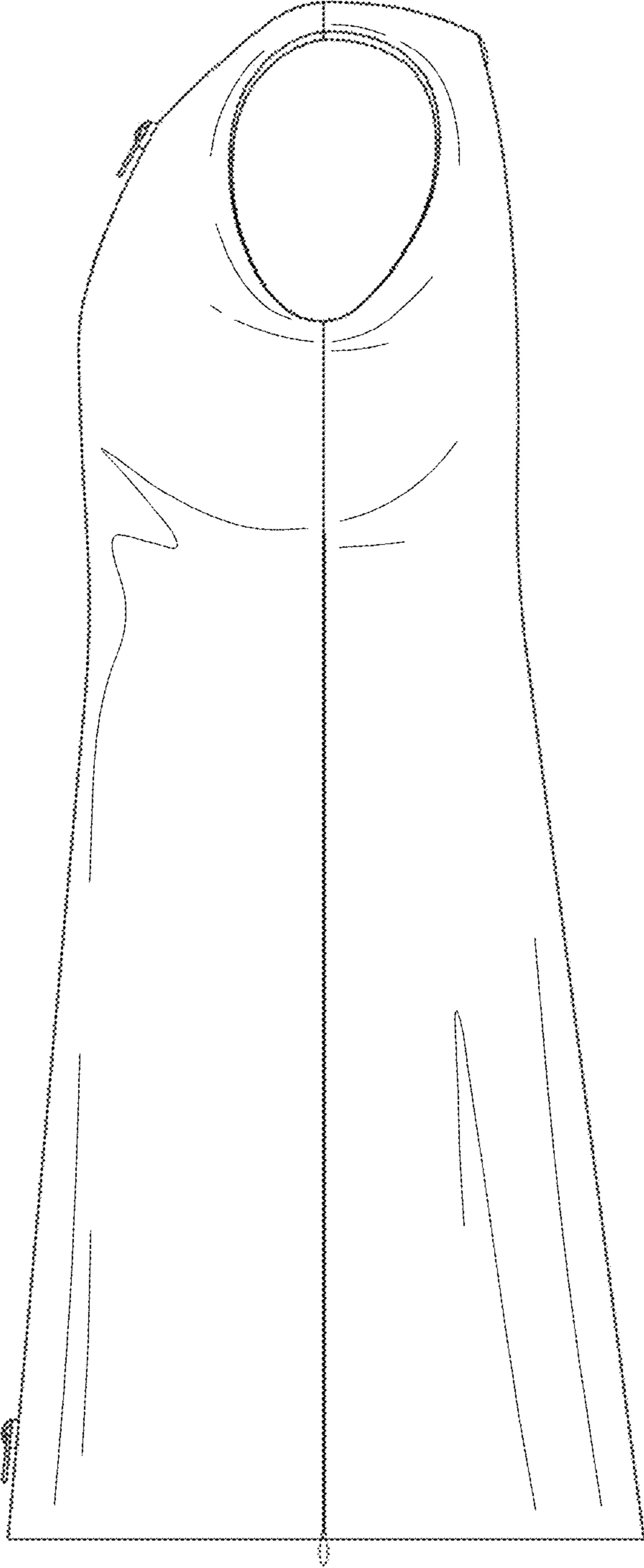


FIG. 5

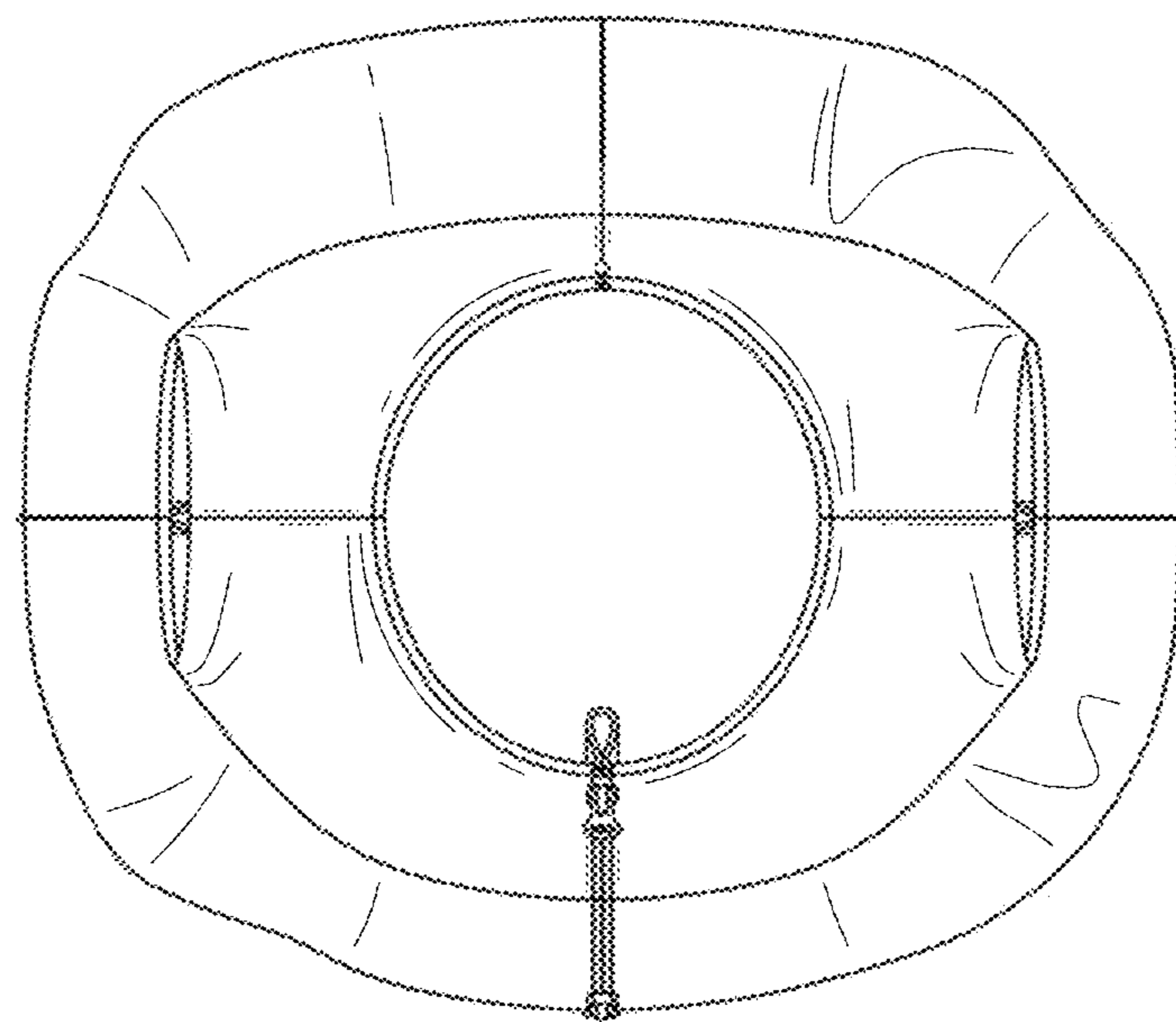


FIG. 6

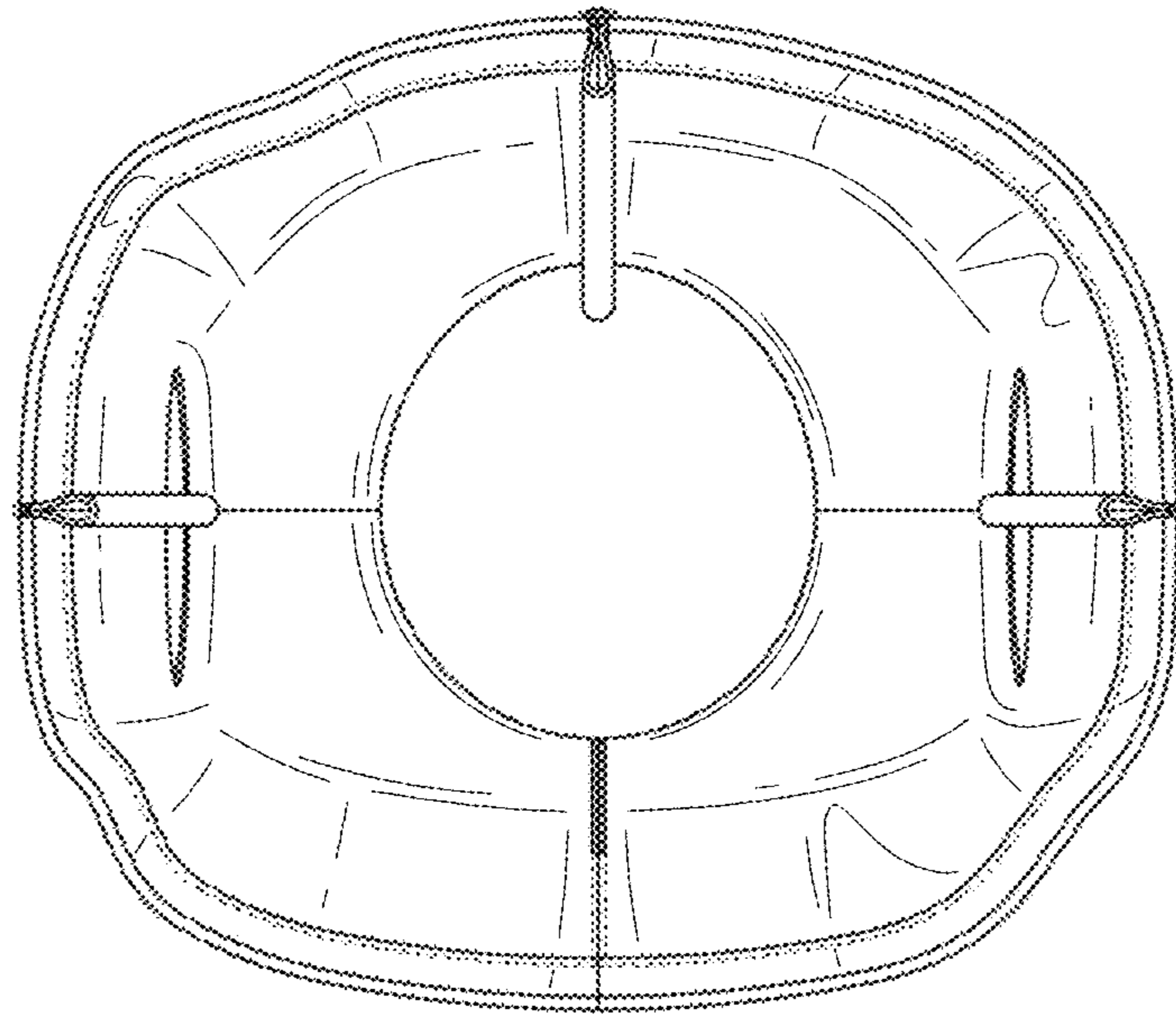


FIG. 7

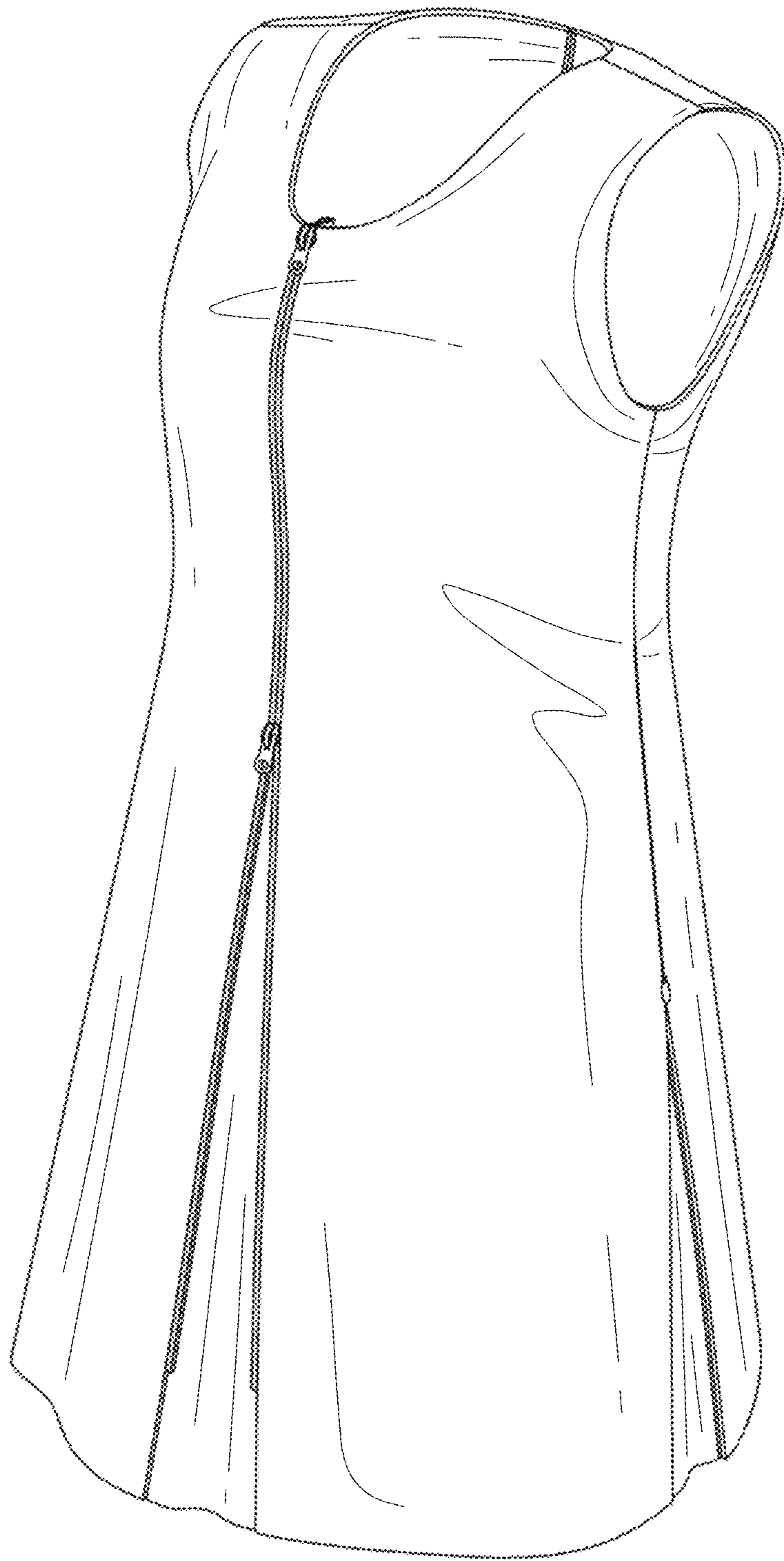


FIG. 8