



US00D831932S

(12) **United States Design Patent**  
**McIntosh**

(10) **Patent No.:** **US D831,932 S**

(45) **Date of Patent:** **\*\* Oct. 30, 2018**

(54) **FITNESS GARMENT**

(71) Applicant: **Donavan Lamont McIntosh**, Las Vegas, NV (US)

(72) Inventor: **Donavan Lamont McIntosh**, Las Vegas, NV (US)

(\*\*) Term: **15 Years**

(21) Appl. No.: **29/585,132**

(22) Filed: **Nov. 21, 2016**

(51) **LOC (11) Cl.** ..... **02-02**

(52) **U.S. Cl.**  
USPC ..... **D2/731**

(58) **Field of Classification Search**  
USPC ..... D2/731, 732, 733, 735, 736, 737, 738, D2/614, 623, 828, 829, 831, 836, 839, D2/850, 857, 858, 864, 717, 720, 750, D2/830, 833, 834, 853, 759, 760, 769, D2/771, 774, 779, 780, 782, 786, 791, D2/812, 820, 840

CPC ..... A41D 1/02; A41D 1/04; A41D 13/0012; A41D 13/01; A41D 2300/50; A41D 2400/38; A41D 2600/10; A41D 13/00; A41D 13/0002; A41D 13/0005; A41D 13/0015; A41D 27/12; A41D 27/14; B63C 11/04; B63C 11/043; B63C 11/046; B63C 11/08

See application file for complete search history.

(56) **References Cited**

**U.S. PATENT DOCUMENTS**

|            |   |         |          |       |        |
|------------|---|---------|----------|-------|--------|
| D414,913 S | * | 10/1999 | Katz     | ..... | D2/829 |
| D526,763 S | * | 8/2006  | Tanner   | ..... | D2/717 |
| D691,782 S | * | 10/2013 | Meredith | ..... | D2/840 |
| D738,594 S | * | 9/2015  | Boyle    | ..... | D2/840 |
| D744,199 S | * | 12/2015 | Roscoe   | ..... | D2/750 |
| D744,205 S | * | 12/2015 | Roscoe   | ..... | D2/840 |
| D745,250 S | * | 12/2015 | McClain  | ..... | D2/731 |

|            |   |         |                |       |        |
|------------|---|---------|----------------|-------|--------|
| D746,544 S | * | 1/2016  | Curran         | ..... | D2/738 |
| D779,163 S | * | 2/2017  | Adrovic        | ..... | D2/840 |
| D779,787 S | * | 2/2017  | Lomax          | ..... | D2/731 |
| D783,935 S | * | 4/2017  | Lomax          | ..... | D2/731 |
| D783,949 S | * | 4/2017  | Lomax          | ..... | D2/858 |
| D784,659 S | * | 4/2017  | Darmour        | ..... | D2/840 |
| D793,032 S | * | 8/2017  | Carpenter      | ..... | D2/731 |
| D794,909 S | * | 8/2017  | Lomax          | ..... | D2/731 |
| D796,782 S | * | 9/2017  | Mozafari       | ..... | D2/731 |
| D799,795 S | * | 10/2017 | Moore          | ..... | D2/840 |
| D801,635 S | * | 11/2017 | Kositchiranant | ..... | D2/731 |
| D802,887 S | * | 11/2017 | Ingram         | ..... | D2/836 |

(Continued)

*Primary Examiner* — Vy N Koenig

*Assistant Examiner* — Kimberly Barnes

(74) *Attorney, Agent, or Firm* — Dunlap Bennett & Ludwig PLLC; Brendan E. Squire

(57) **CLAIM**

The ornamental design for a fitness garment, as shown and described.

**DESCRIPTION**

FIG. 1 is a perspective view of a fitness garment showing my new design;

FIG. 2 is a front view thereof;

FIG. 3 is a top view thereof;

FIG. 4 is a rear view thereof;

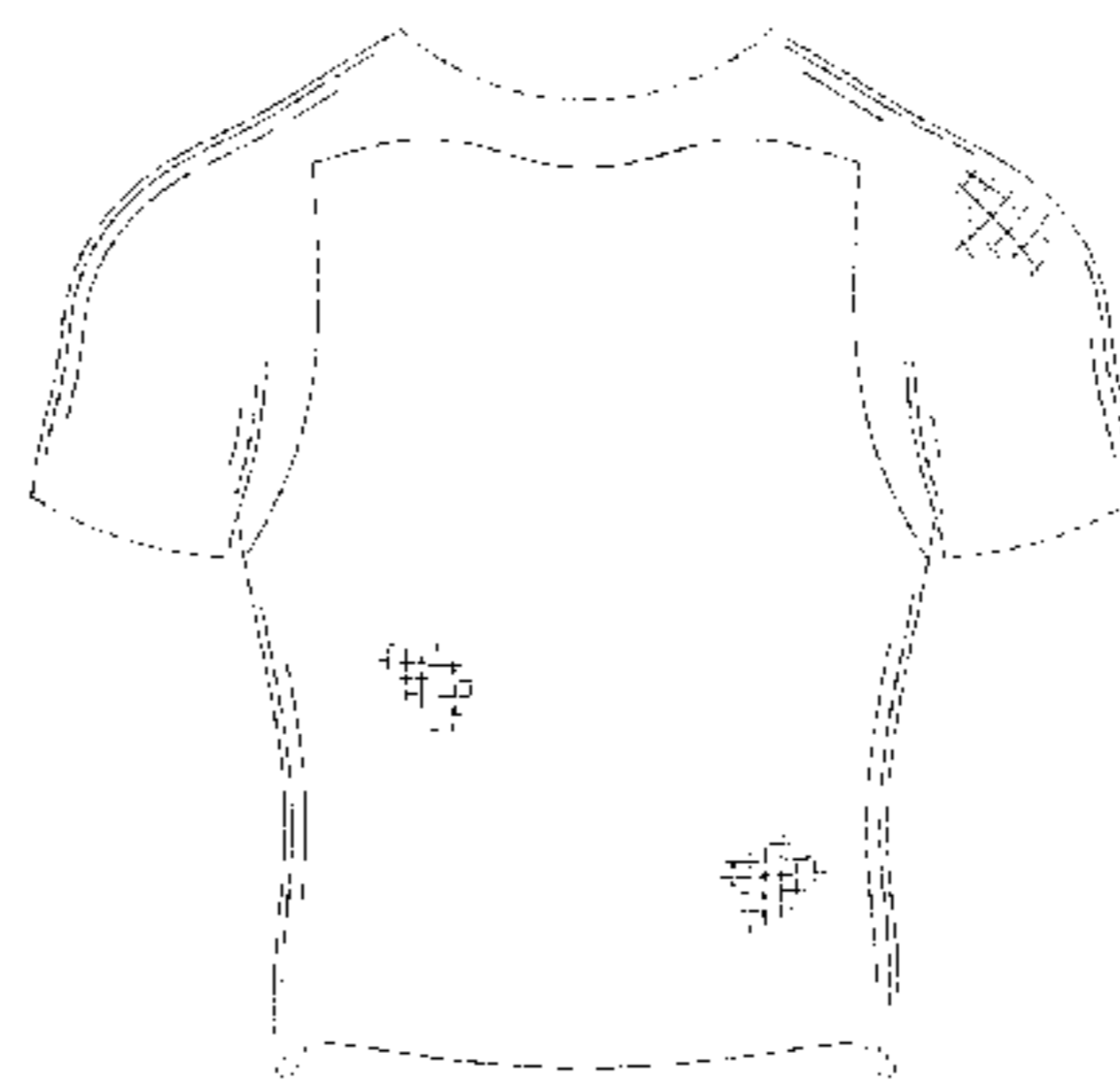
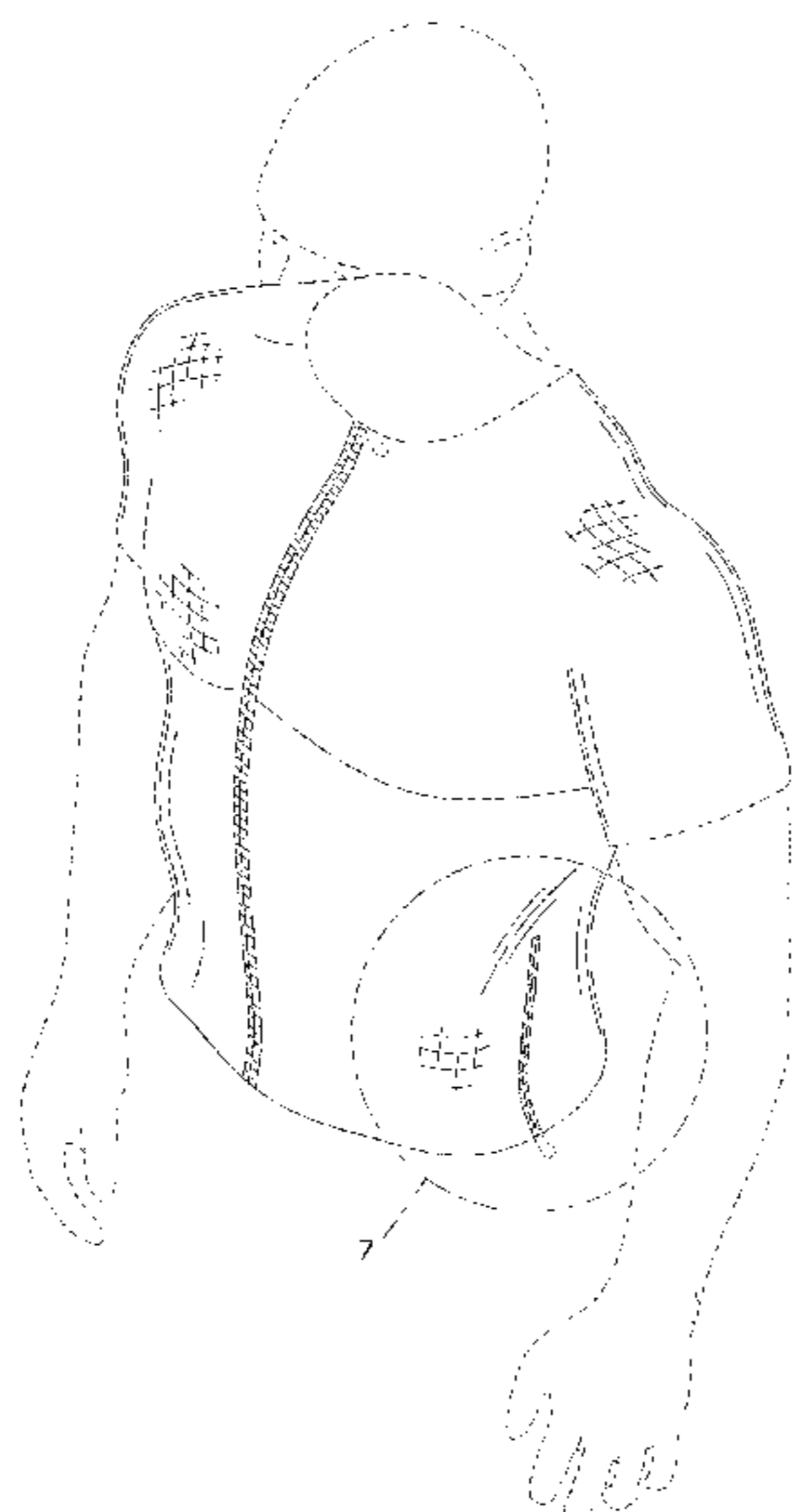
FIG. 5 is a bottom view thereof;

FIG. 6 is a right side view thereof; the left side being a mirror image thereof; and,

FIG. 7 is an enlarged detail of the circumscribed area in FIG. 1, showing the side of the fitness garment with the zipper open.

The broken lines depicting a human figure in FIG. 1 represent environmental subject matter that forms no part of the claimed design. The remaining broken lines in the figures represent portions of the fitness garment that form no part of the claimed design.

**1 Claim, 4 Drawing Sheets**



(56)

**References Cited**

U.S. PATENT DOCUMENTS

2012/0078147 A1\* 3/2012 Ogulnick ..... A41D 13/0058  
602/2  
2012/0304369 A1\* 12/2012 Carmichael ..... A41D 13/012  
2/464  
2017/0106015 A1\* 4/2017 Helmick ..... A61K 33/06  
2017/0290383 A1\* 10/2017 Arnold ..... A41D 27/285

\* cited by examiner

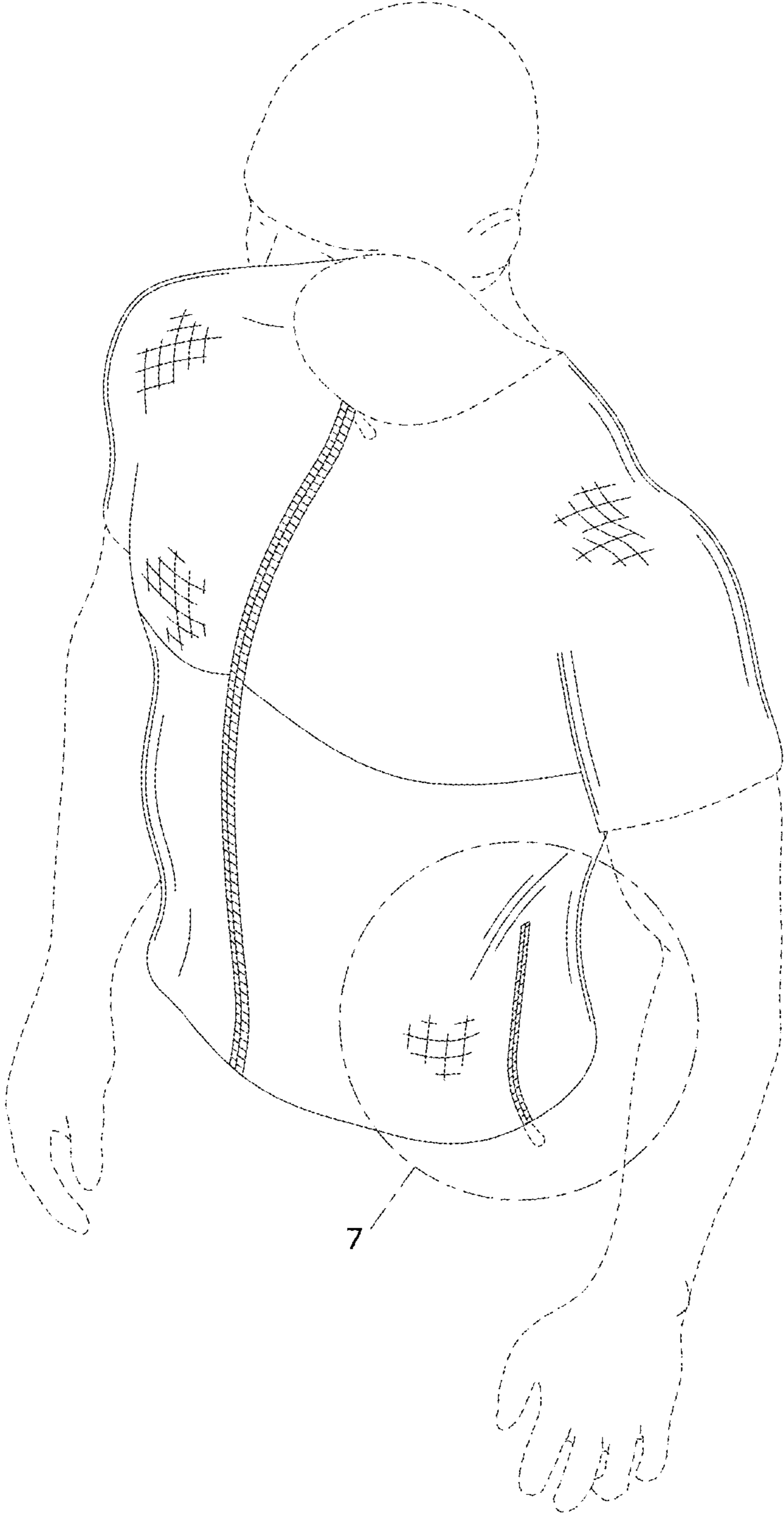


FIG. 1

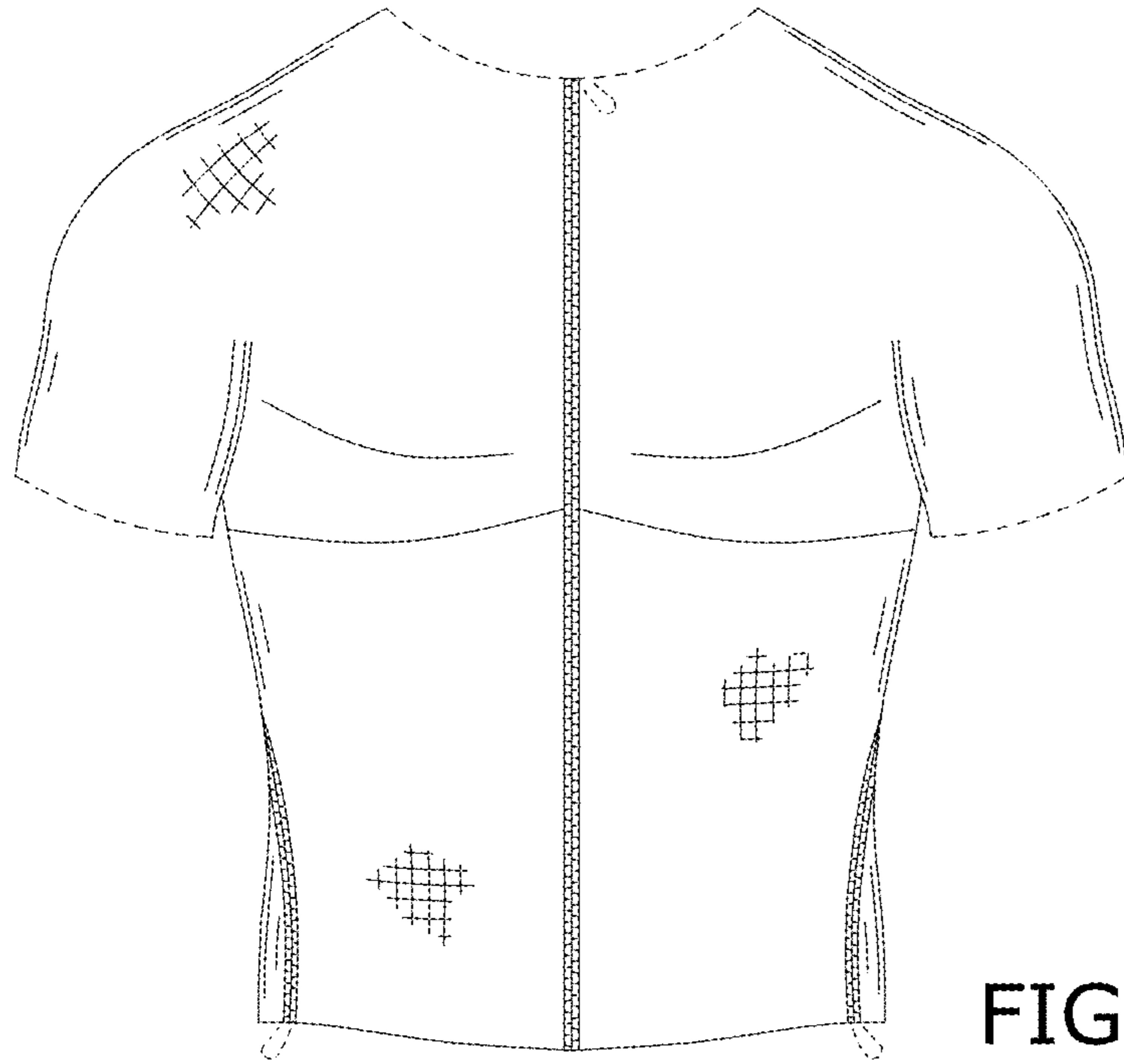


FIG.2

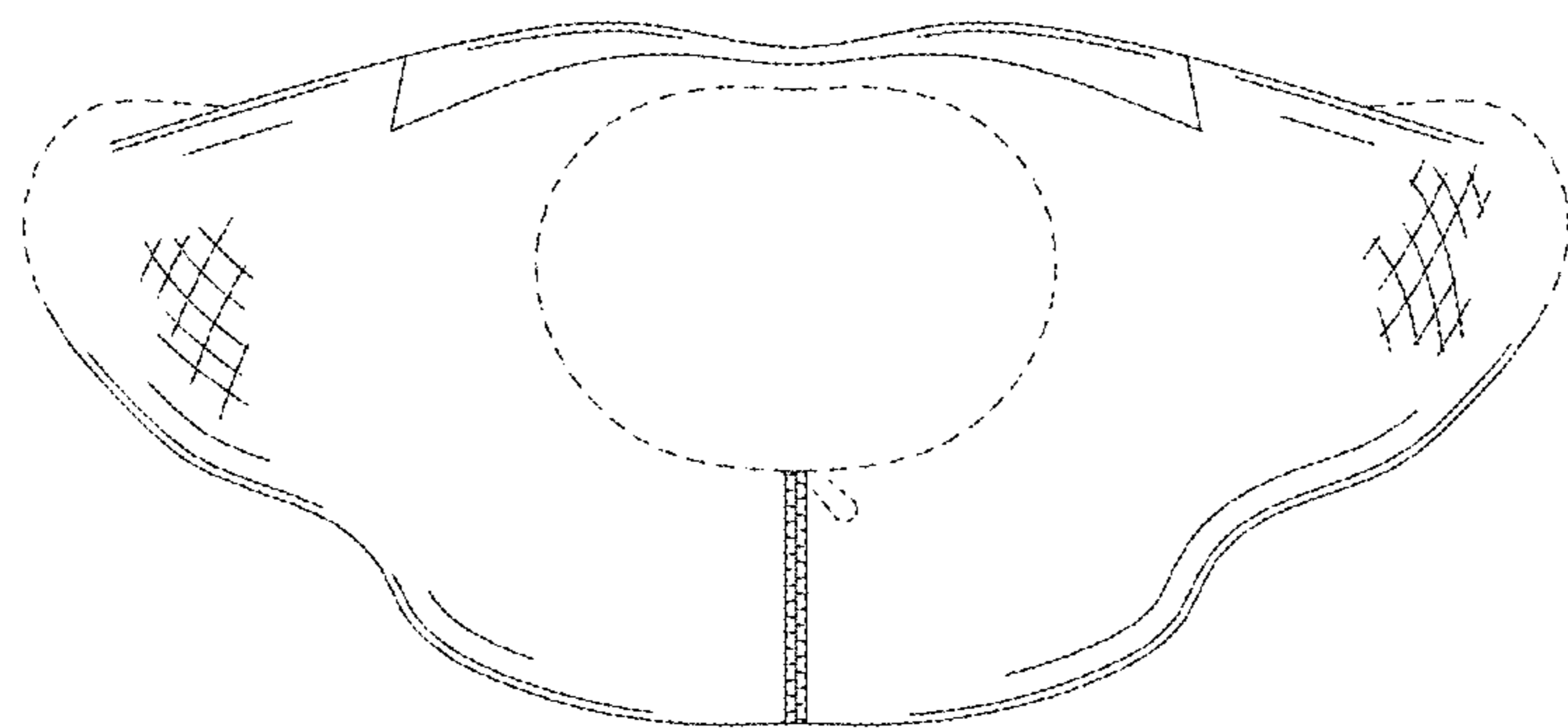


FIG.3

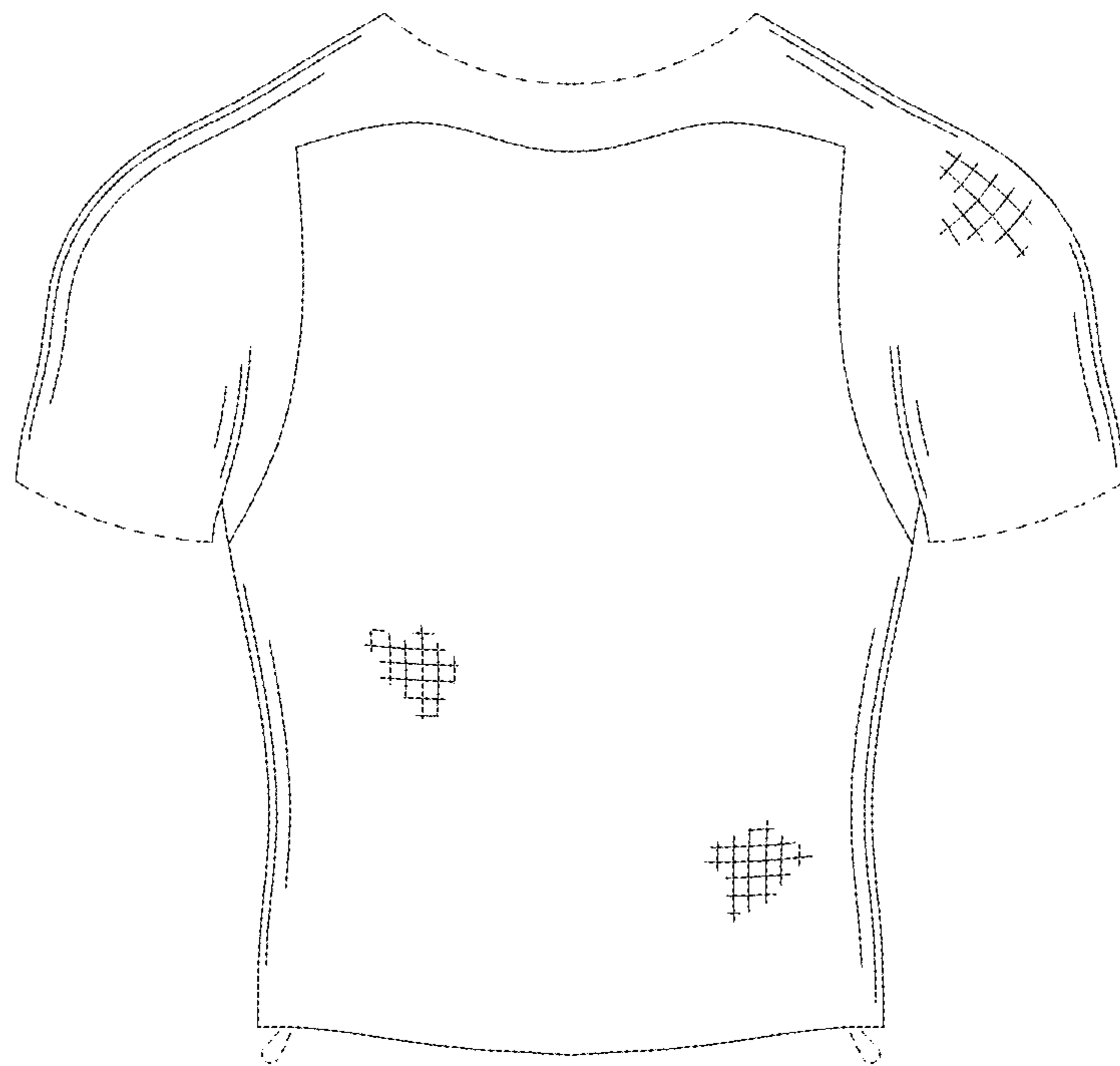


FIG.4

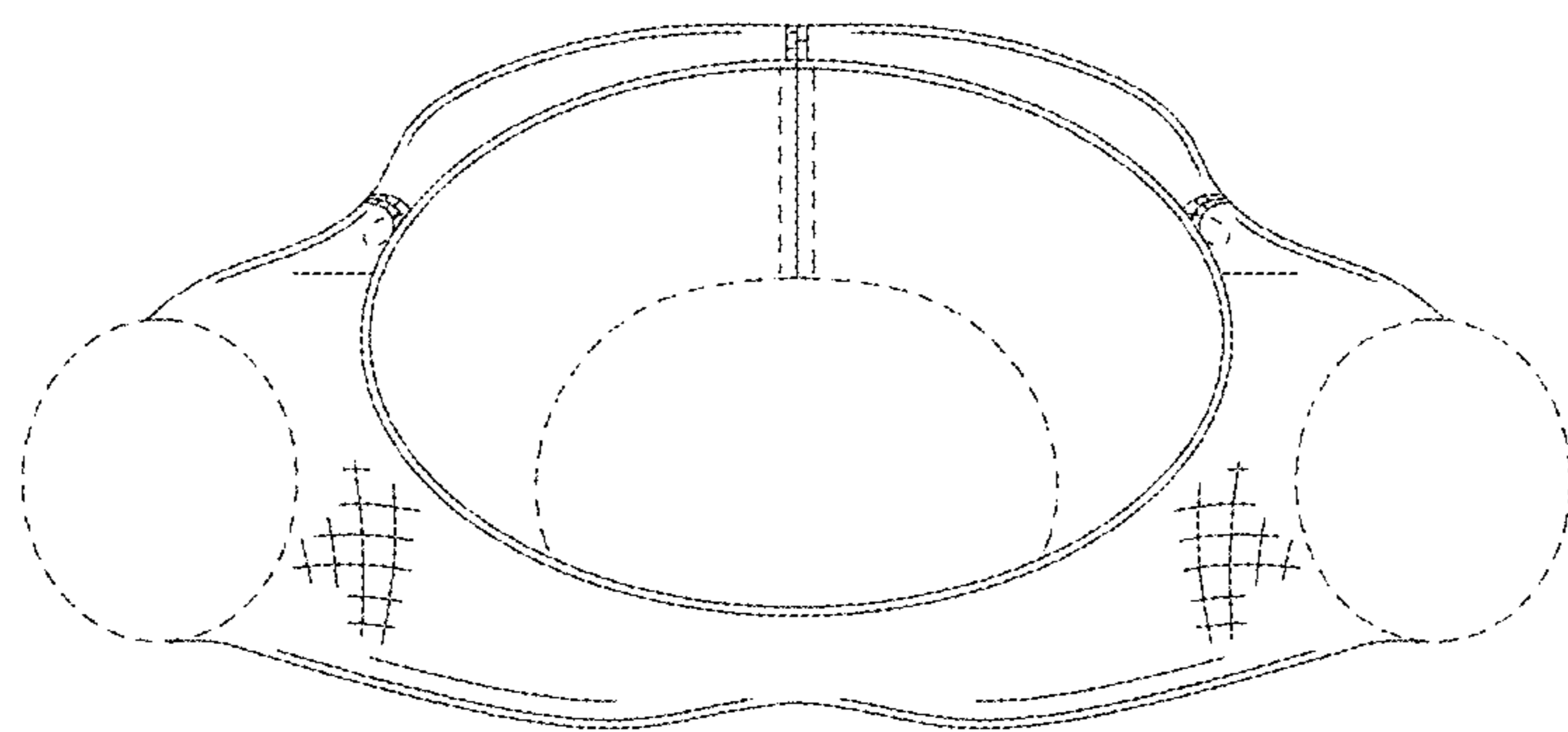


FIG.5

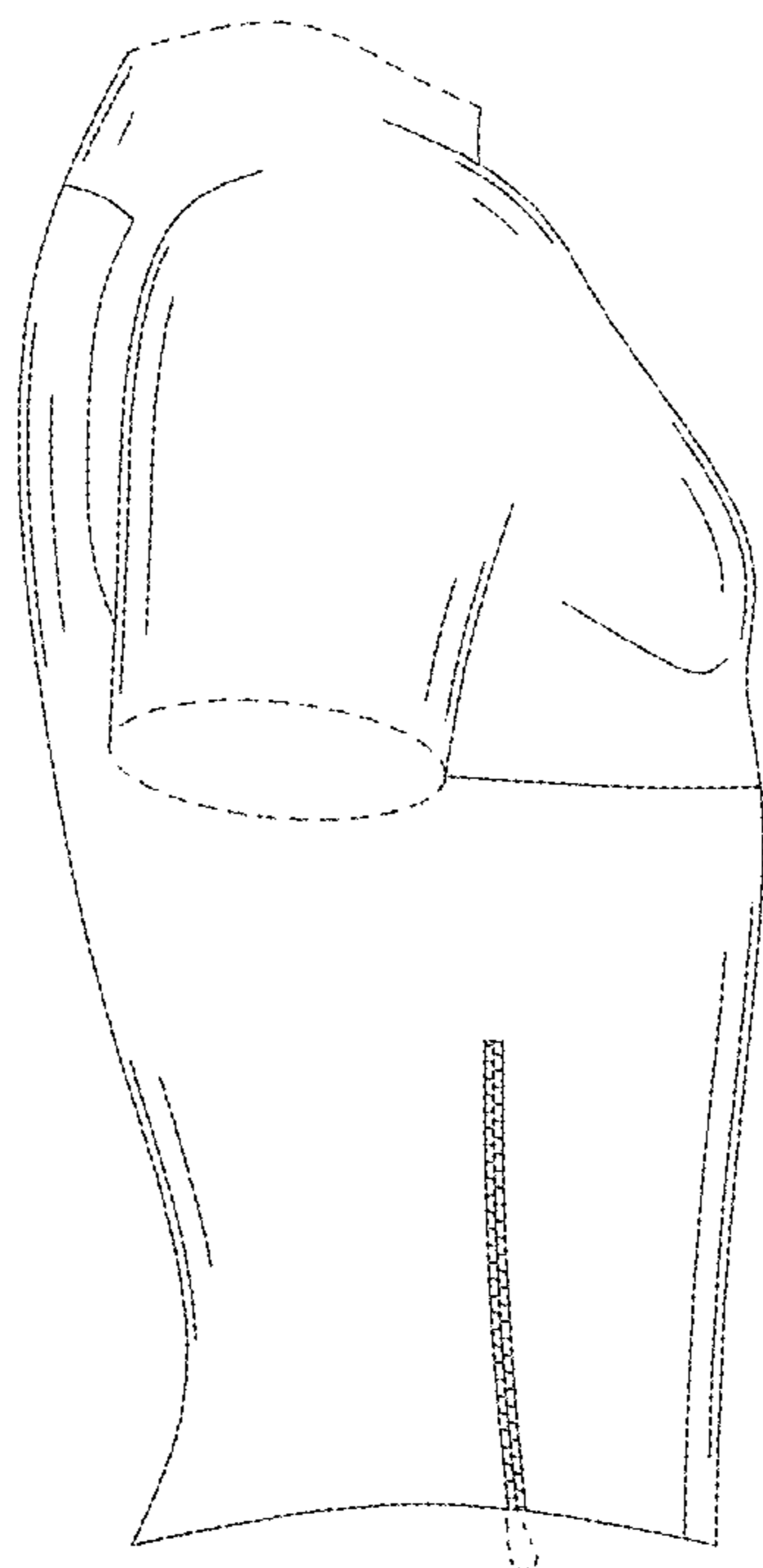


FIG.6

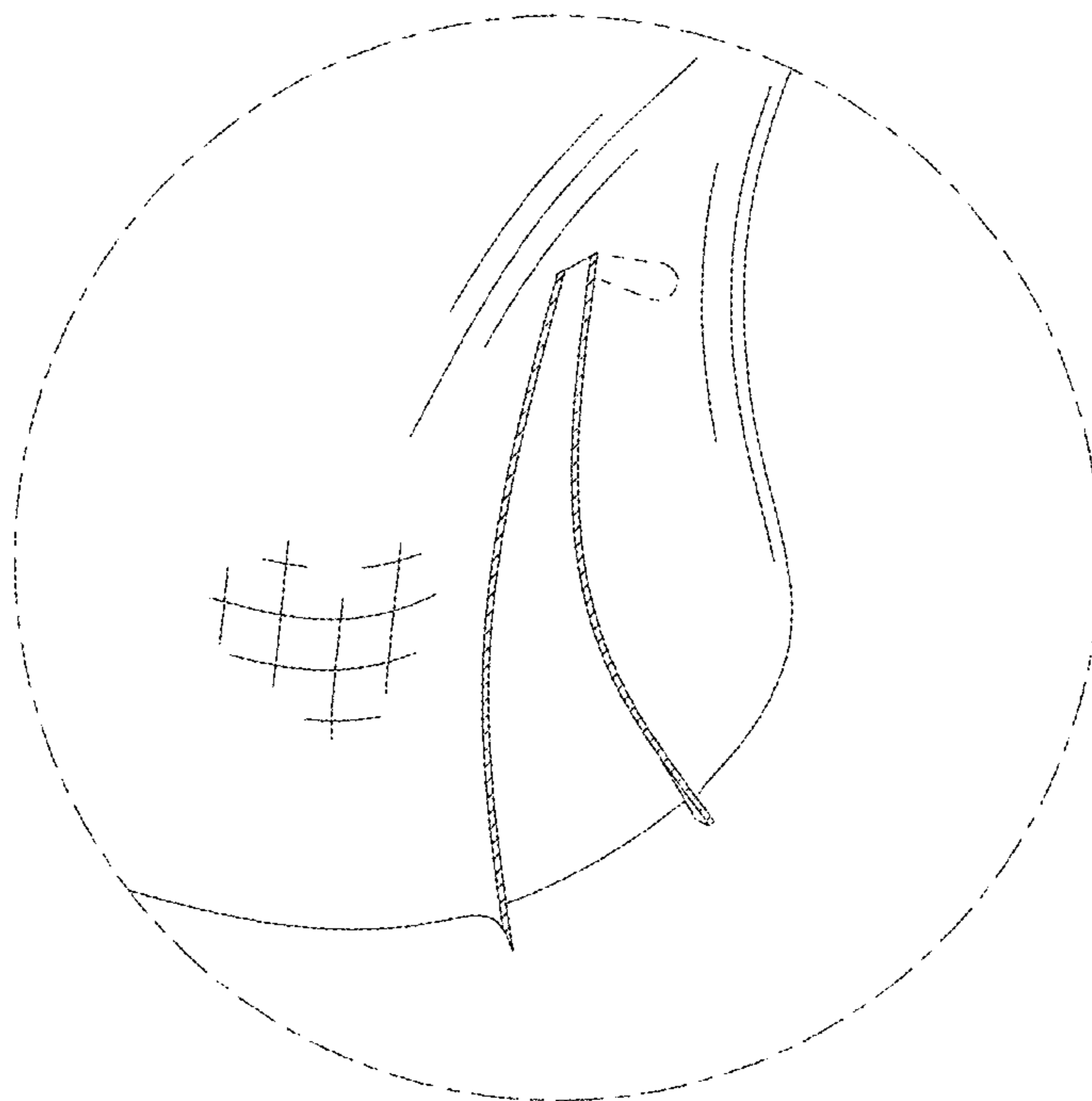


FIG.7