



US00D831923S

(12) **United States Design Patent** (10) **Patent No.:** **US D831,923 S**
Duvigneau (45) **Date of Patent:** **** Oct. 23, 2018**

- (54) **HAMPER**
- (71) Applicant: **CURVER Luxembourg Sarl,**
Neidercorn (LU)
- (72) Inventor: **Nikolai Duvigneau, Zichron Yaacov**
(IL)
- (73) Assignee: **CURVER LUXEMBOURG SARL,**
Neidercorn (LU)
- (**) Term: **15 Years**
- (21) Appl. No.: **29/573,893**
- (22) Filed: **Aug. 10, 2016**
- (30) **Foreign Application Priority Data**
Feb. 11, 2016 (IL) 58066
- (51) **LOC (11) Cl.** **12-05**
- (52) **U.S. Cl.**
USPC **D34/37**
- (58) **Field of Classification Search**
USPC D34/1, 2, 3, 4, 5, 6, 7, 8, 9, 10, 11, 37,
D34/39; D6/403; D9/737, 738, 770,
D9/772, 778, 781; D11/143; D19/77,
D19/99; D23/202, 203, 205; 220/211,
220/4.04, 484, 495.08, 569, 62.12, 62.13,
220/703, 737, 748, 908.1, 908.2, 908,
220/909, 495.09, 810, 495.06
CPC D06F 95/002
See application file for complete search history.

- (56) **References Cited**
U.S. PATENT DOCUMENTS
D215,617 S * 10/1969 Heck D34/7
5,219,087 A * 6/1993 Christensson B65D 55/06
D34/11
D342,365 S * 12/1993 Conaway D32/37

- D501,968 S * 2/2005 Sofy D32/37
- 7,273,155 B1 * 9/2007 Gray B65F 1/06
220/908
- D636,960 S * 4/2011 Duvigneau D34/7
- D732,778 S * 6/2015 Taulman D32/37
- 2001/0027977 A1 * 10/2001 Hall D06F 95/002
220/523
- 2007/0187912 A1 * 8/2007 Taulman D06F 95/002
280/47.26

OTHER PUBLICATIONS

Amazon "Rubbermaid Laundry Hamper Kit, White", www.amazon.com. Fri. Sep. 14, 2015. shown in p. 1, Item #FG2656TPWHT.*

* cited by examiner

Primary Examiner — Cynthia Ramirez
Assistant Examiner — Michael A Maharajh
(74) *Attorney, Agent, or Firm* — Vorys, Sater, Seymour & Pease LLP

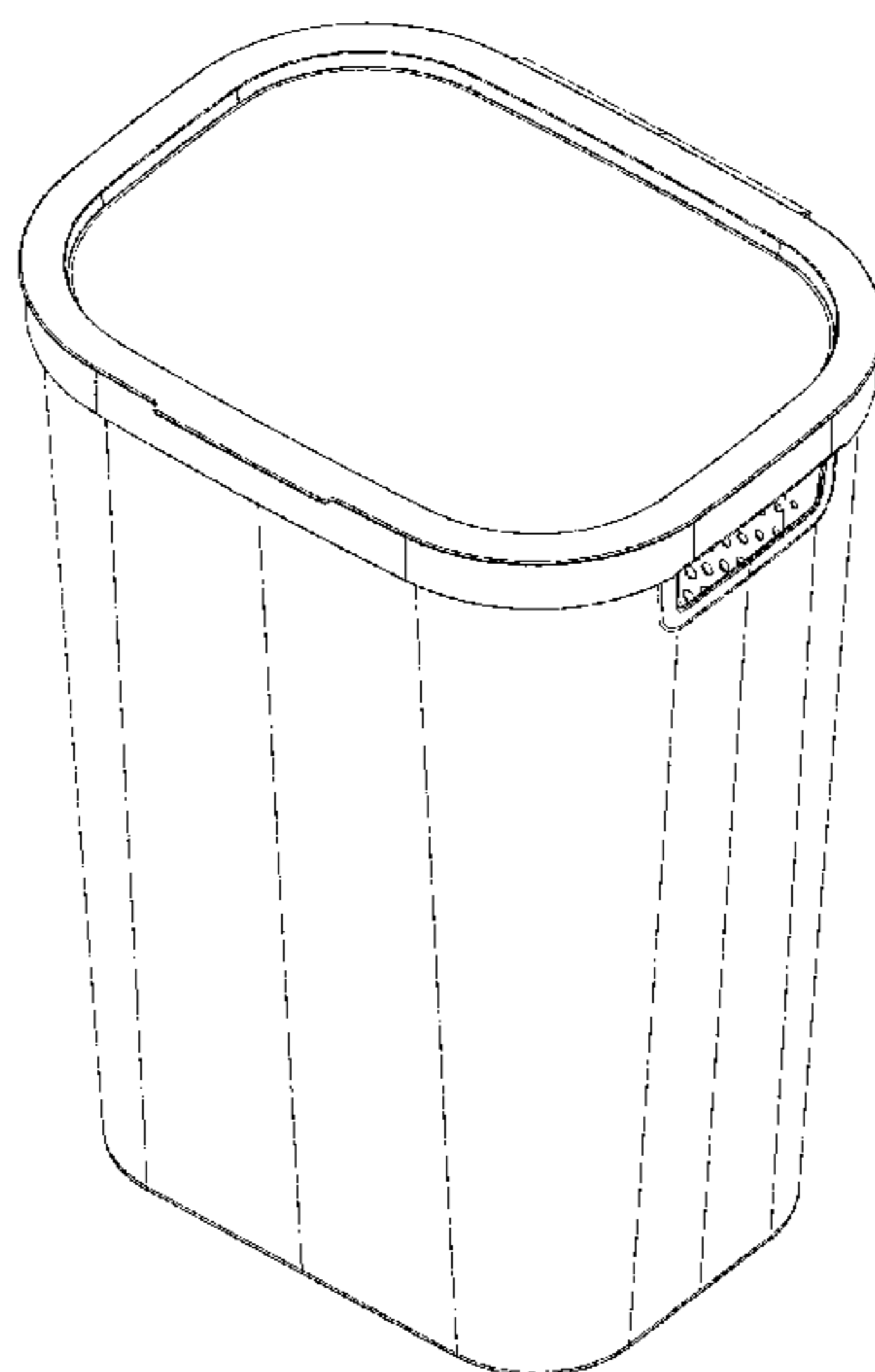
(57) **CLAIM**

The ornamental design for a hamper, as shown and described.

DESCRIPTION

FIG. 1 is a front perspective view of a hamper;
FIG. 2 is a bottom perspective view of the hamper as seen in FIG. 1;
FIG. 3 is a rear perspective view of the hamper as seen in FIG. 1;
FIG. 4 is a front view of the hamper as seen in FIG. 1;
FIG. 5 is a rear view of the hamper as seen in FIG. 1;
FIG. 6 is a side view of the hamper as seen in FIG. 1, other side view being a mirror image of FIG. 6;
FIG. 7 is a top view of the hamper as seen in FIG. 1; and,
FIG. 8 is a rear perspective view of the hamper as seen in FIG. 1.

1 Claim, 8 Drawing Sheets



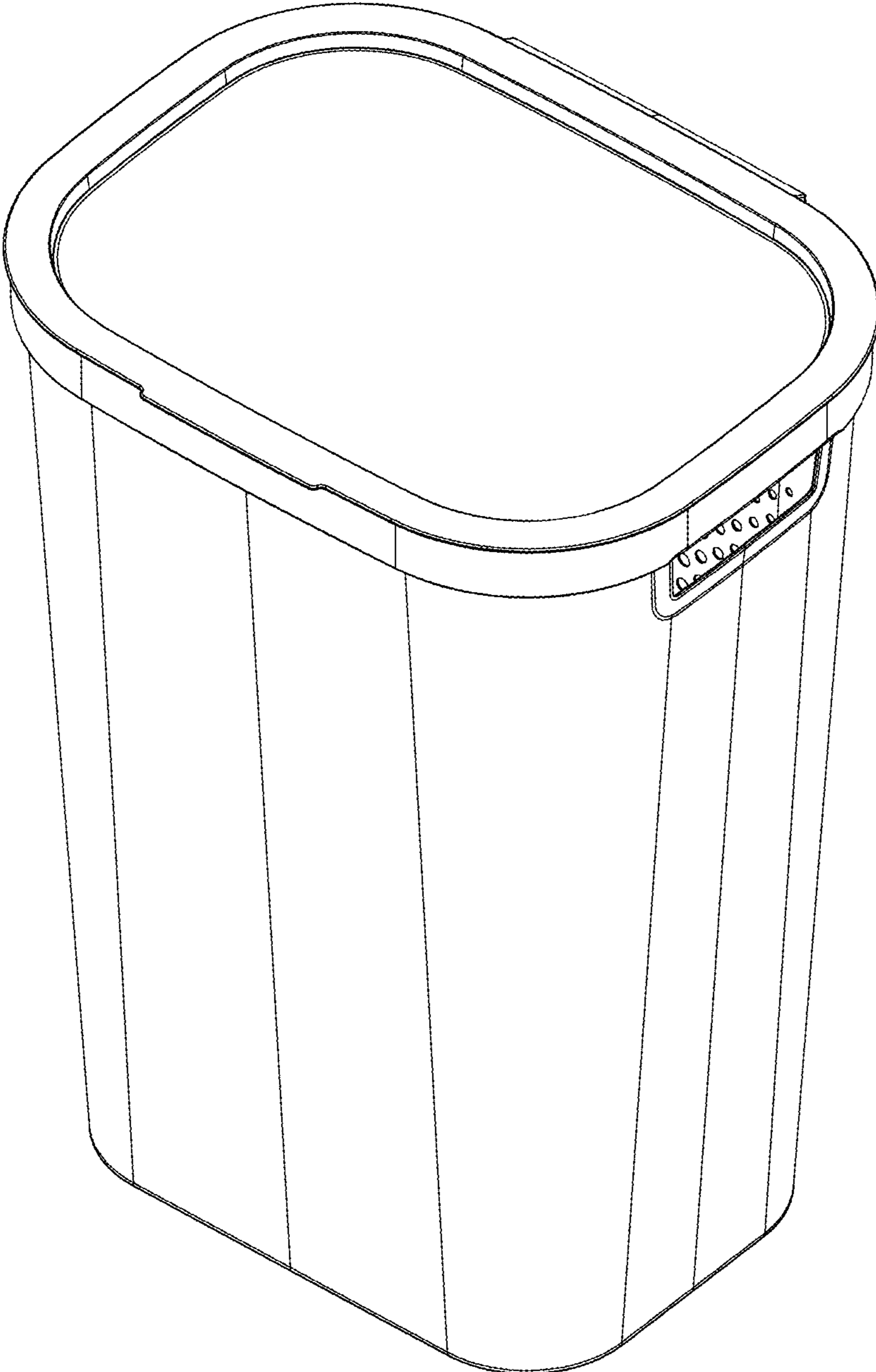


FIG. 1

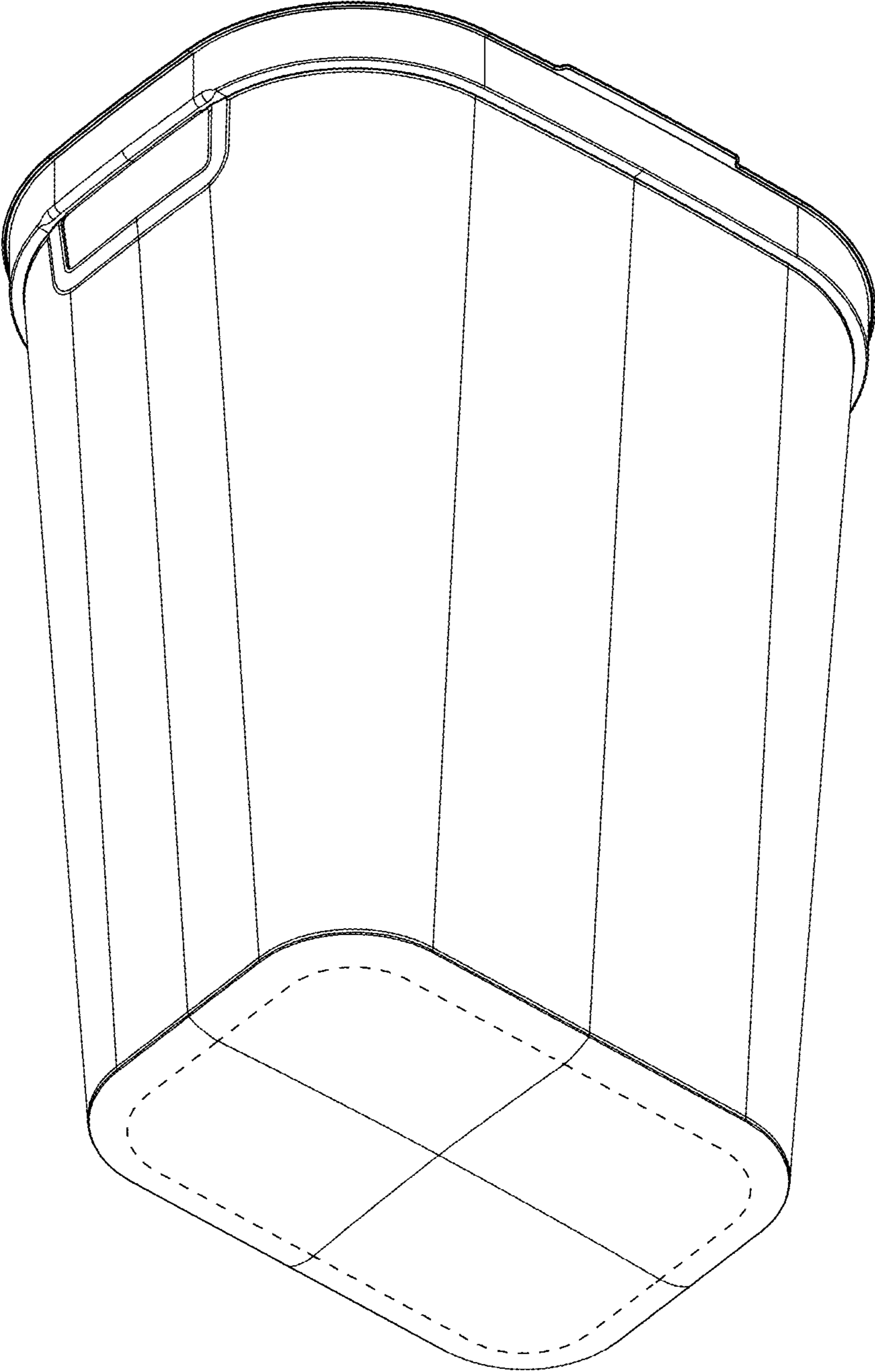


FIG. 2

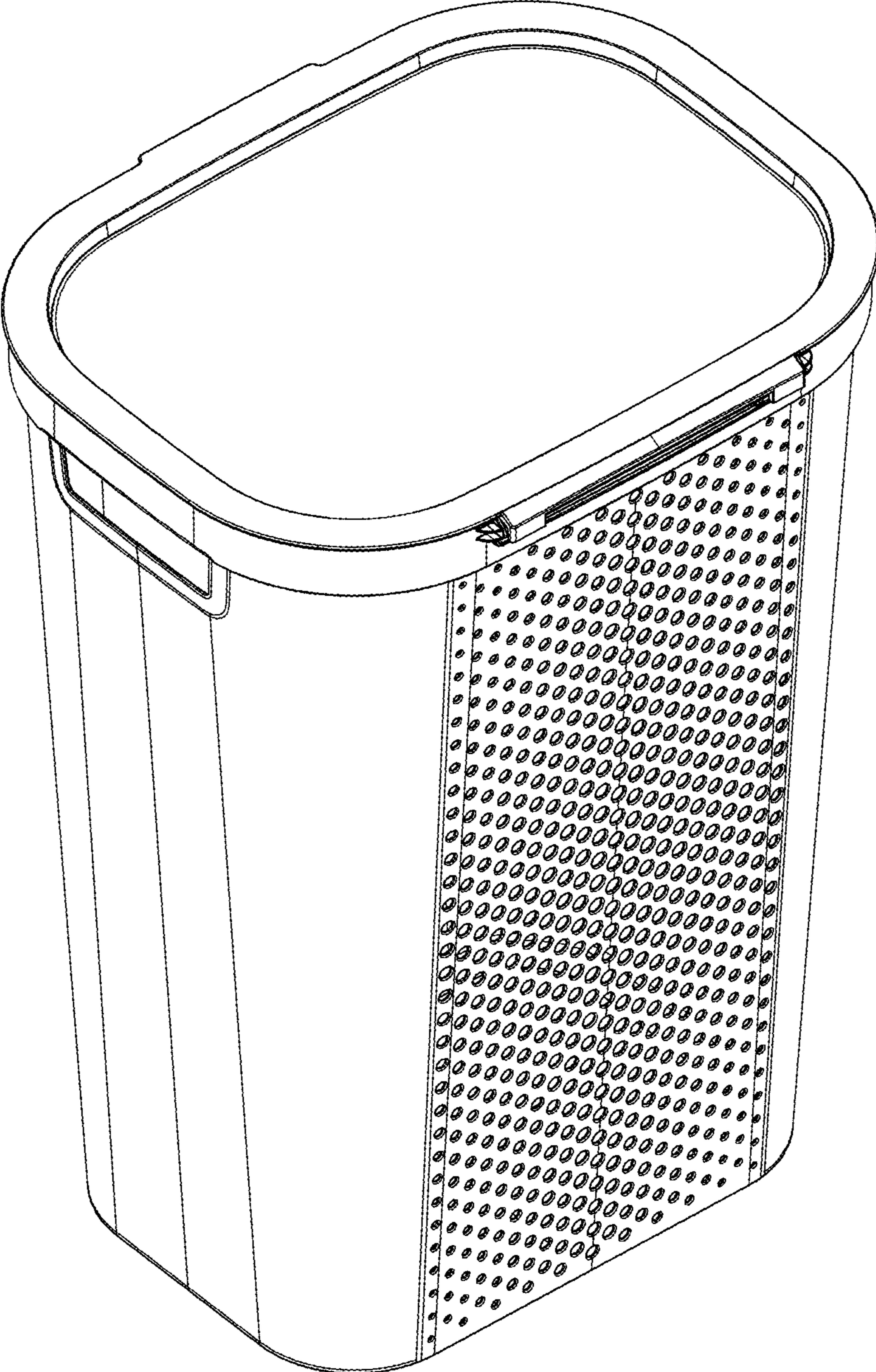


FIG. 3

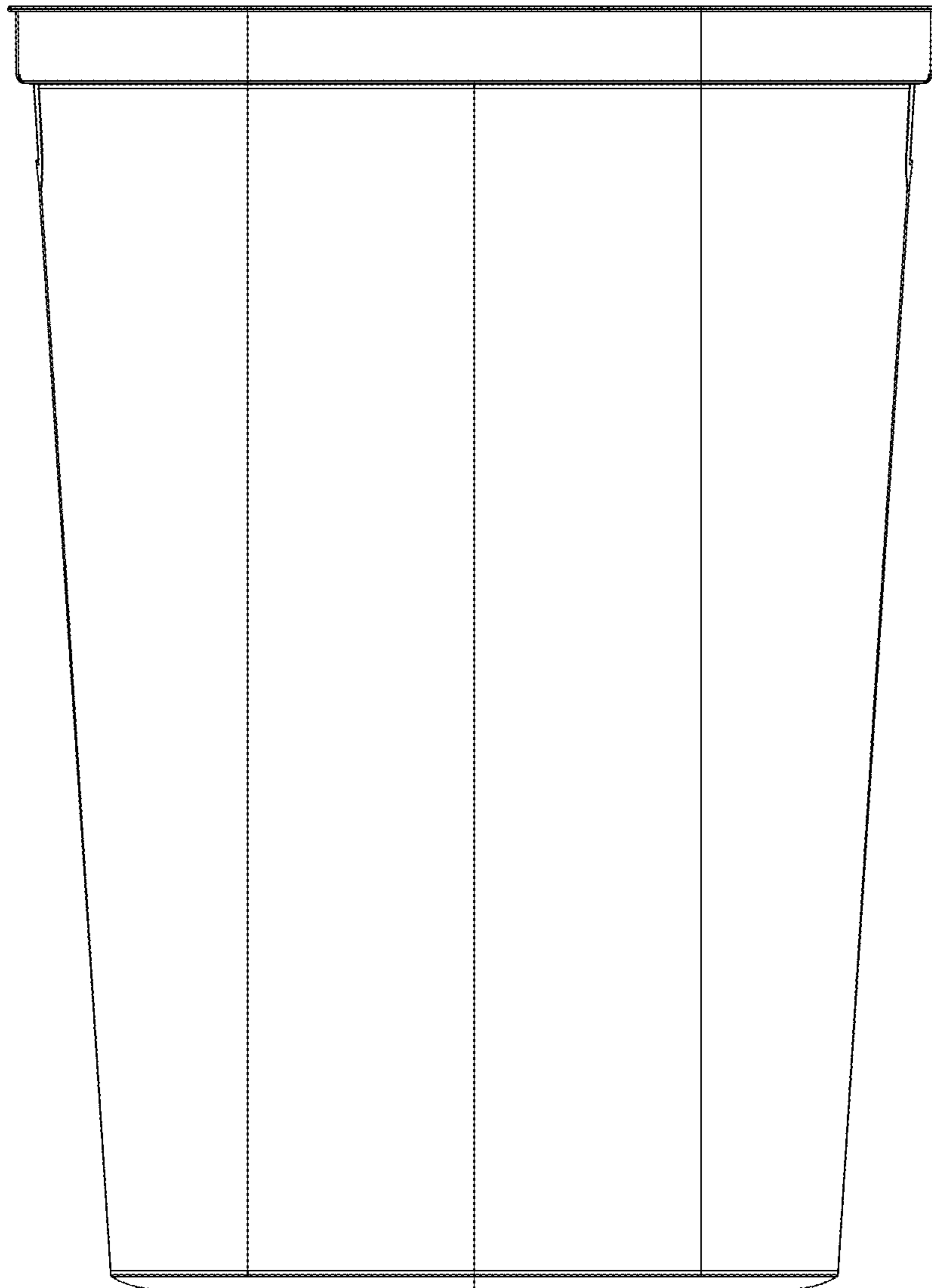


FIG. 4

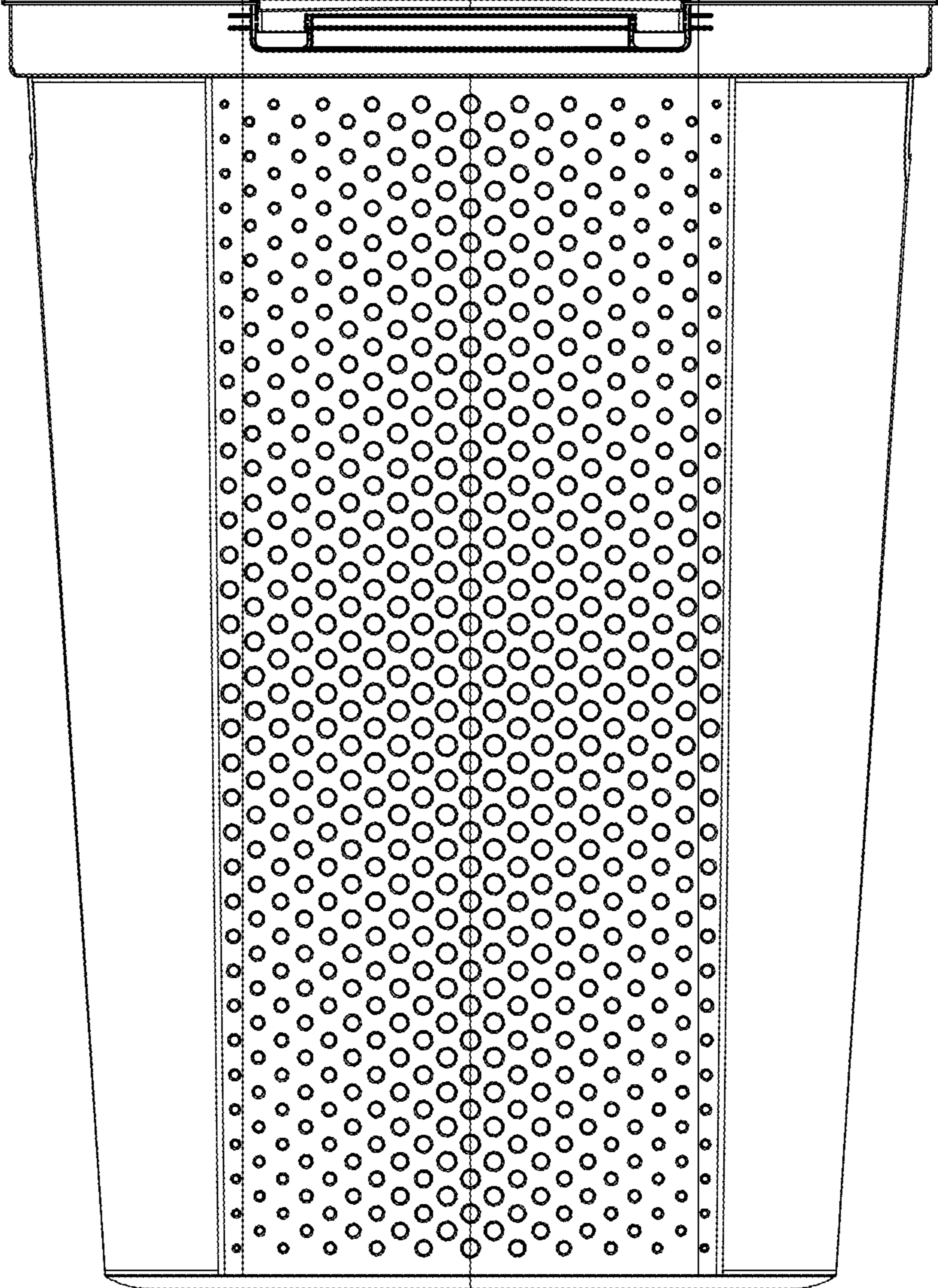


FIG. 5

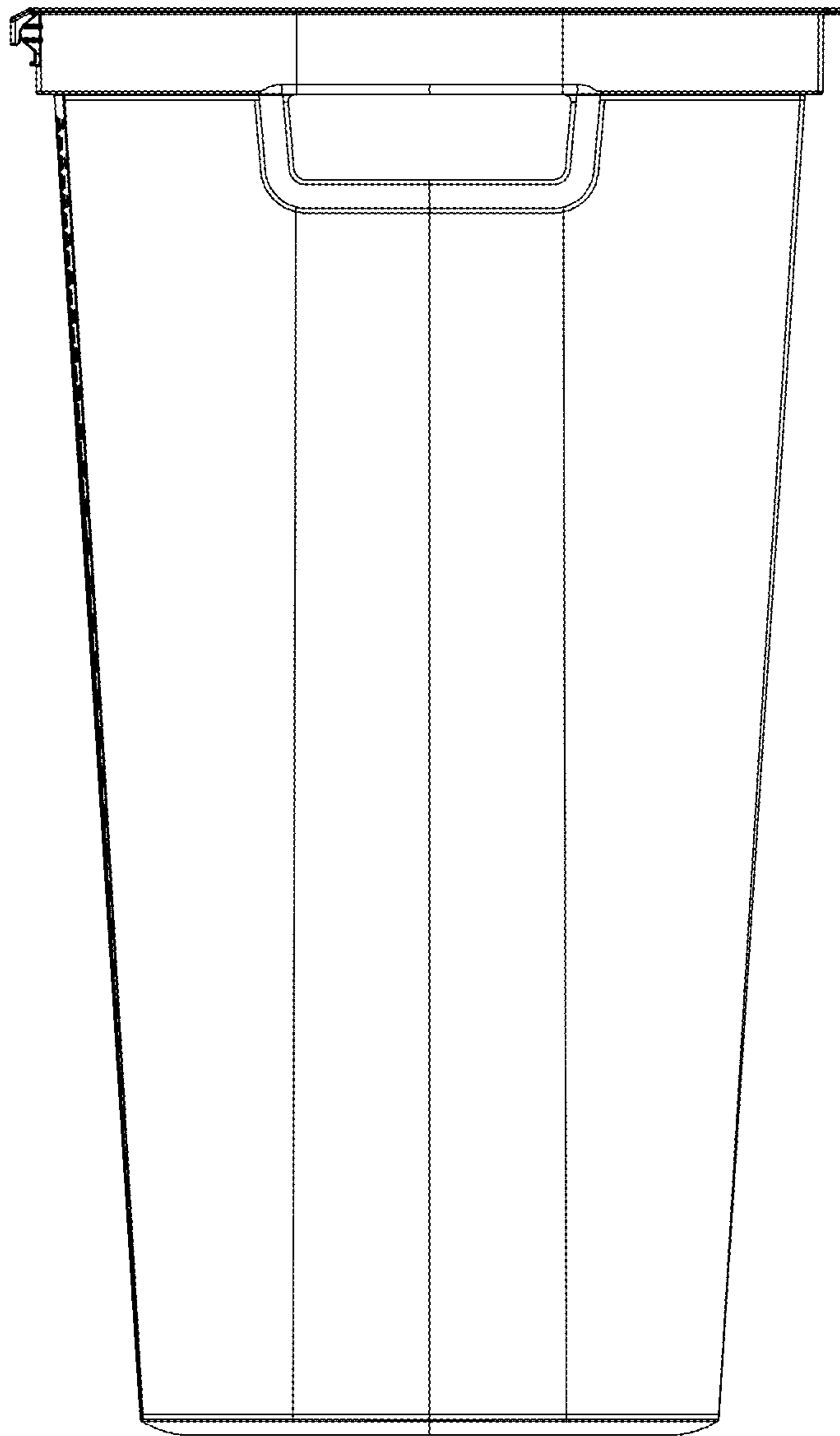


FIG. 6

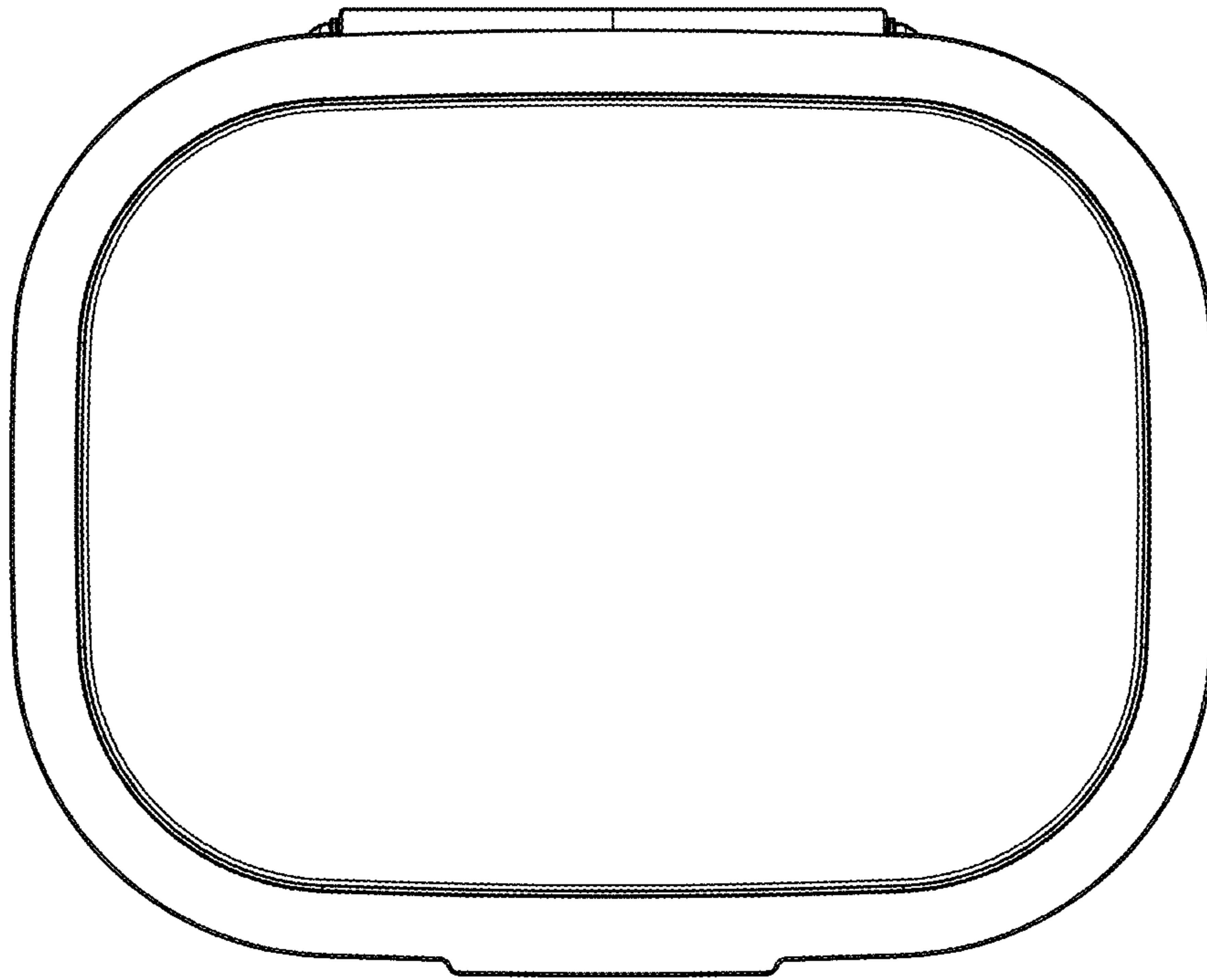


FIG. 7

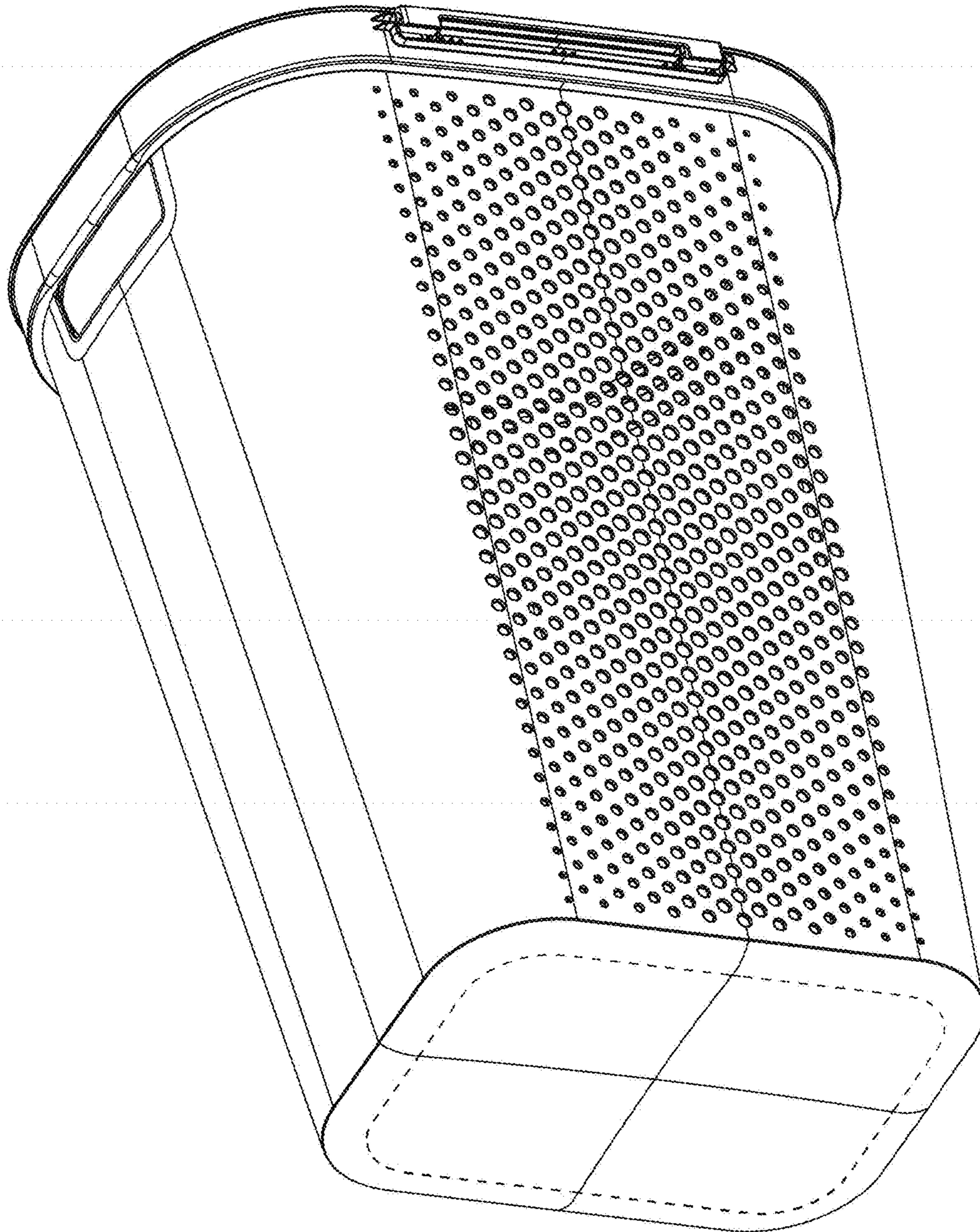


FIG. 8