



US00D831922S

(12) **United States Design Patent** (10) **Patent No.:** **US D831,922 S**  
**Melendez** (45) **Date of Patent:** **\*\* Oct. 23, 2018**

(54) **CART**  
(71) Applicant: **CMR Party, LLC.**, Doral, FL (US)  
(72) Inventor: **Carlos Melendez**, Doral, FL (US)  
(73) Assignee: **CMR Party, LLC.**, Doral, FL (US)  
(\*\*) Term: **15 Years**

D354,597 S \* 1/1995 Crane ..... D34/12  
5,967,342 A \* 10/1999 Steffine ..... D06F 95/002  
211/85.15  
D649,319 S \* 11/2011 Renfrew ..... D34/12  
D810,379 S \* 2/2018 Sarian ..... D34/17  
2011/0017744 A1\* 1/2011 Sandhu ..... D06F 95/004  
220/495.06

(21) Appl. No.: **29/602,167**  
(22) Filed: **Apr. 28, 2017**  
(51) **LOC (11) Cl.** ..... **12-02**  
(52) **U.S. Cl.**  
USPC ..... **D34/12**  
(58) **Field of Classification Search**  
USPC ..... D34/12-27  
CPC ..... B62B 2202/66; B62B 3/02  
See application file for complete search history.

**OTHER PUBLICATIONS**

CMR Party, LLC, *Git & Go Cart*, two (2) sheets of photographs, Oct. 1993.

\* cited by examiner

*Primary Examiner* — Cynthia Ramirez  
(74) *Attorney, Agent, or Firm* — Malloy & Malloy, P.L.

(57) **CLAIM**

The ornamental design for a cart, as shown and described.

**DESCRIPTION**

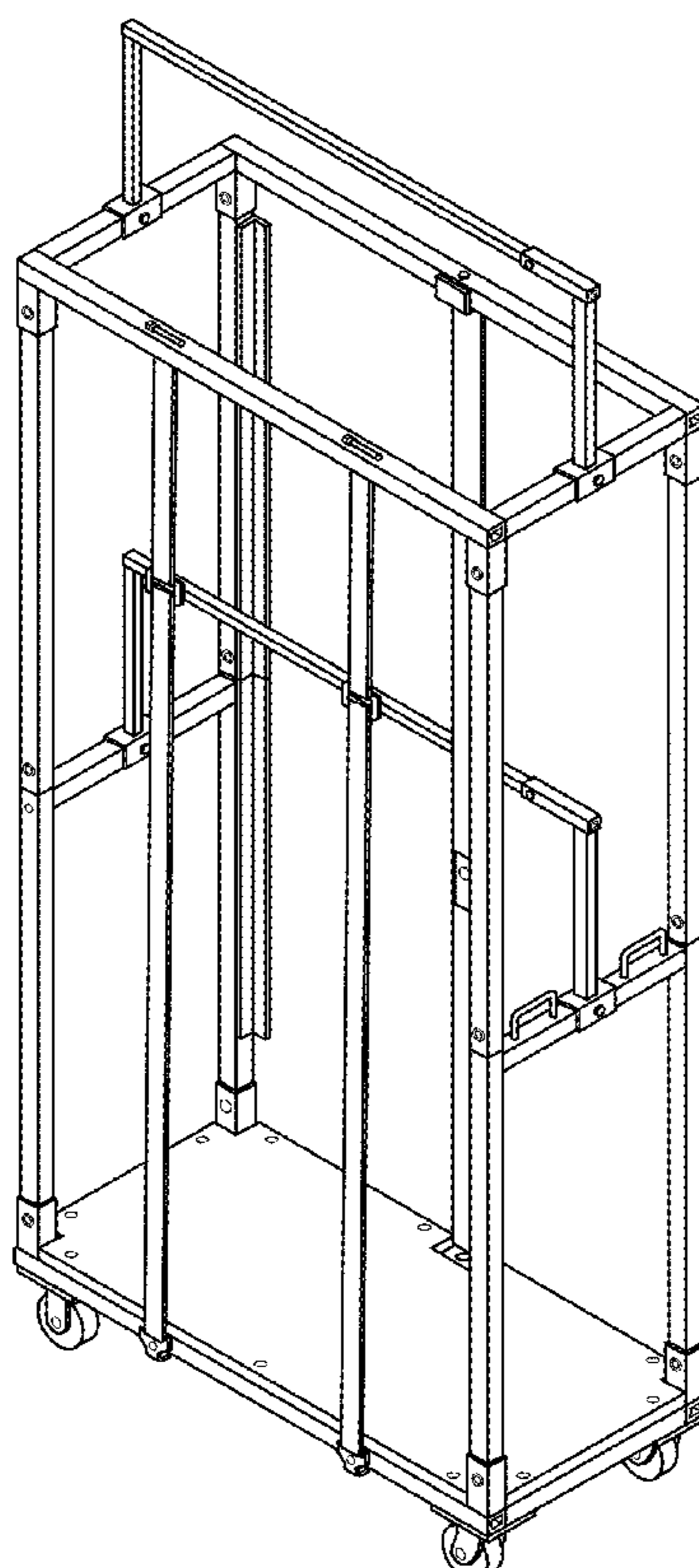
FIG. 1 is a front perspective view illustrating my design for a cart;  
FIG. 2 is a front view thereof;  
FIG. 3 is a right side view thereof;  
FIG. 4 is a top view thereof;  
FIG. 5 is a left side view thereof;  
FIG. 6 is a bottom view thereof; and,  
FIG. 7 is a rear view thereof.

(56) **References Cited**

**U.S. PATENT DOCUMENTS**

D195,944 S \* 8/1963 Schreckengost ..... D34/17  
4,066,022 A \* 1/1978 Graves ..... A47B 96/02  
108/14  
5,036,773 A \* 8/1991 Christen ..... B65G 19/02  
104/101  
5,205,630 A \* 4/1993 Welch ..... A47B 47/021  
108/107

**1 Claim, 5 Drawing Sheets**



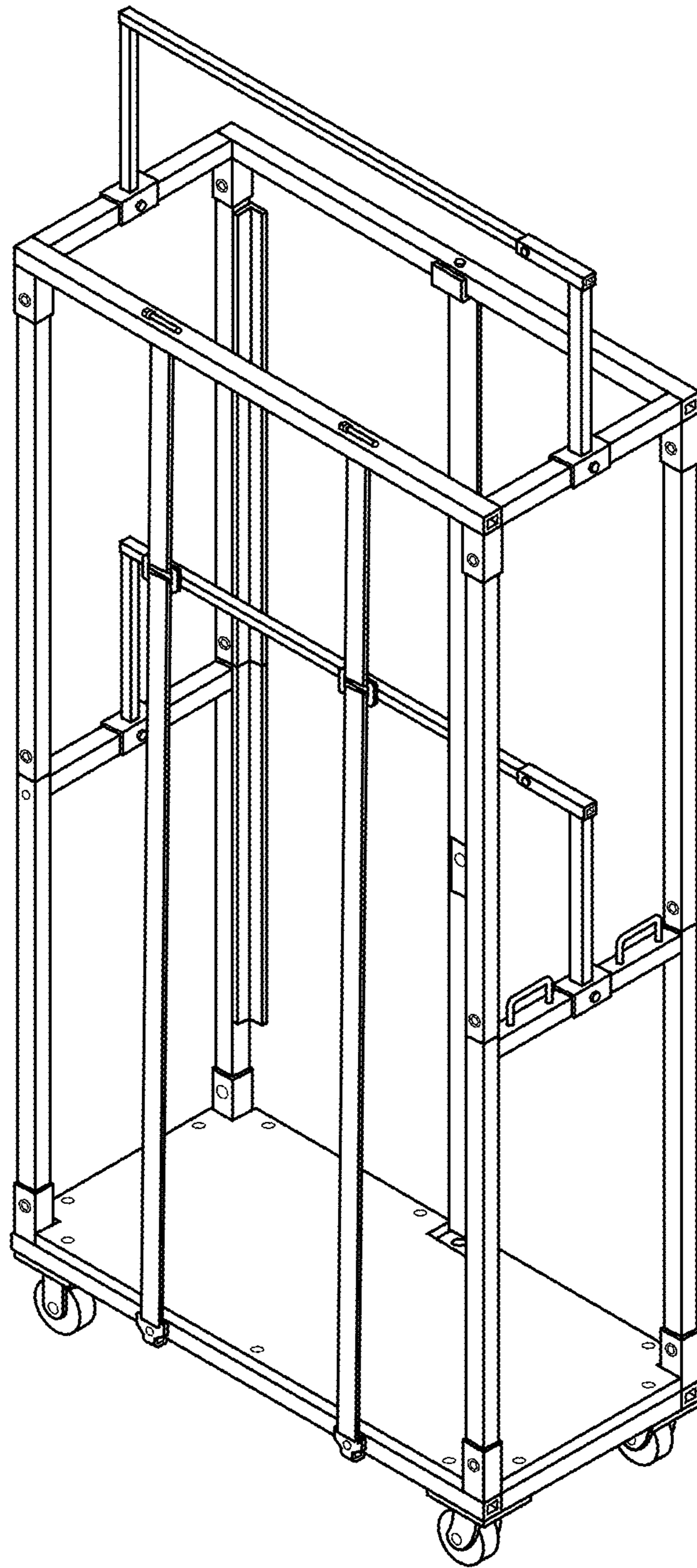


FIG. 1

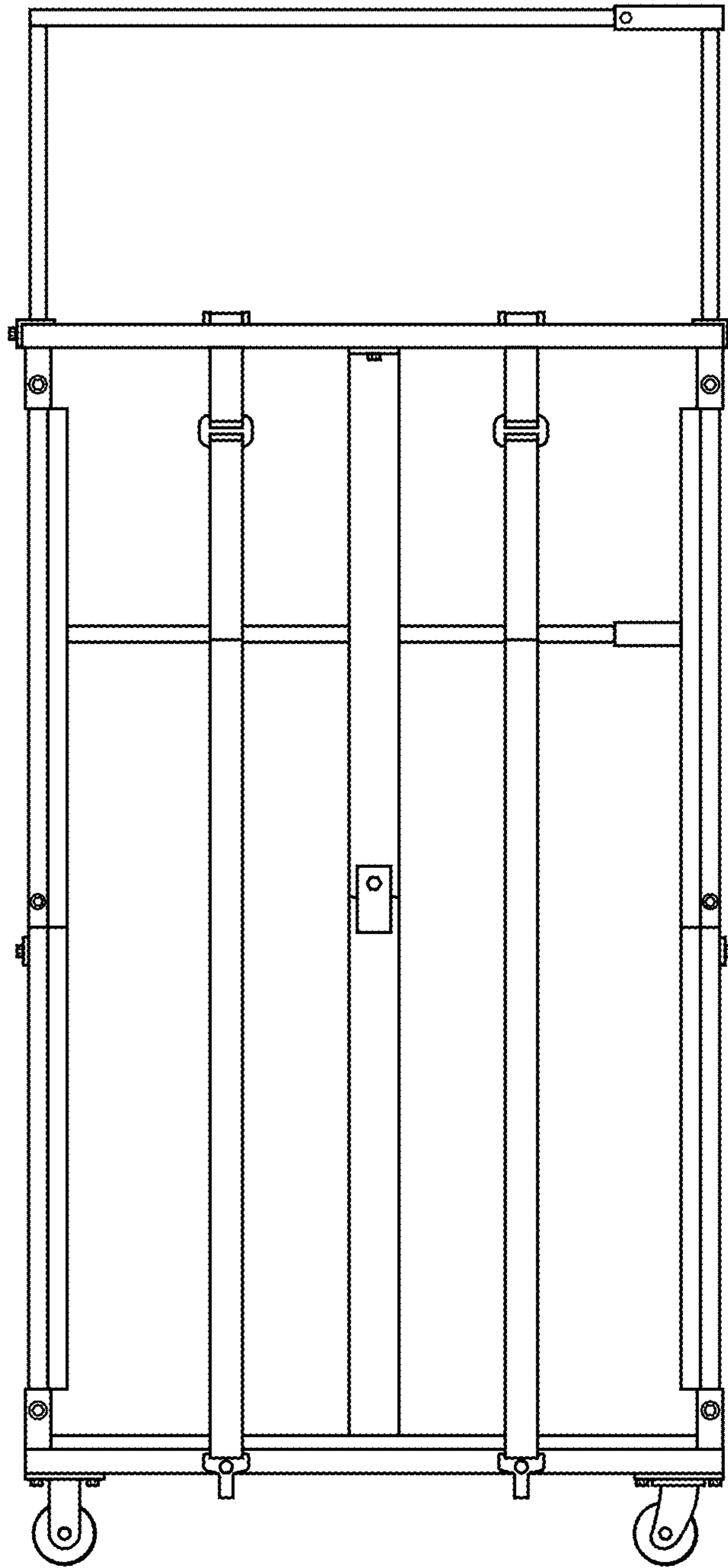


FIG. 2

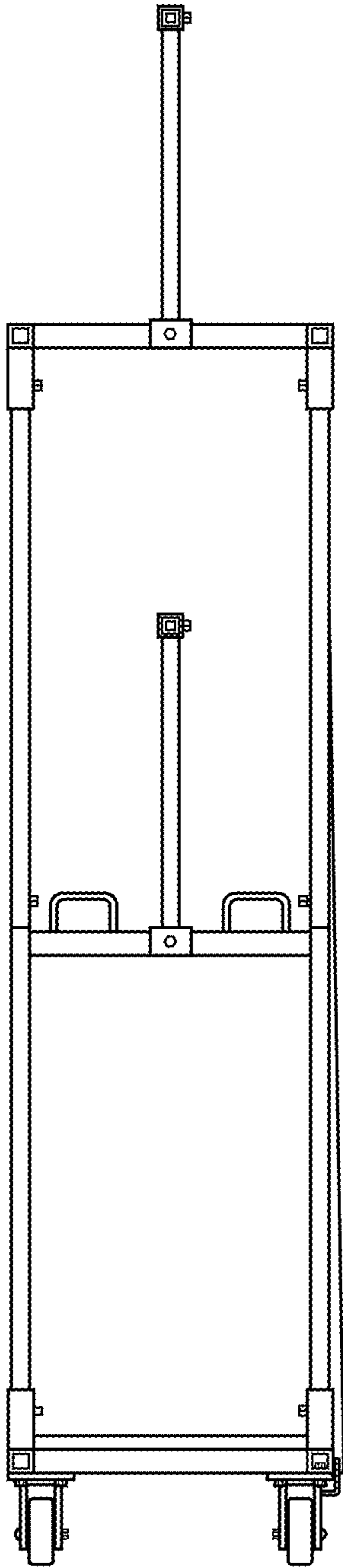


FIG. 3

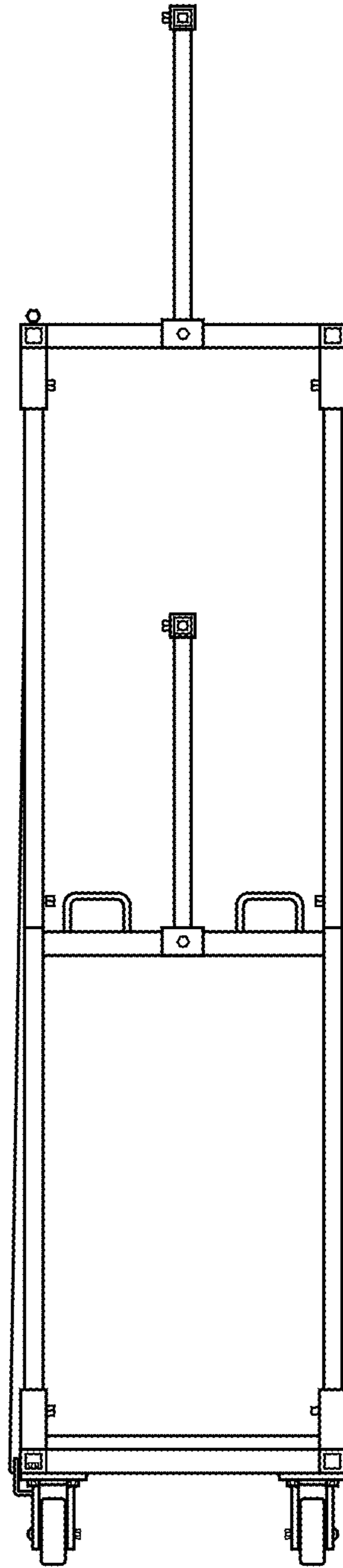


FIG. 5

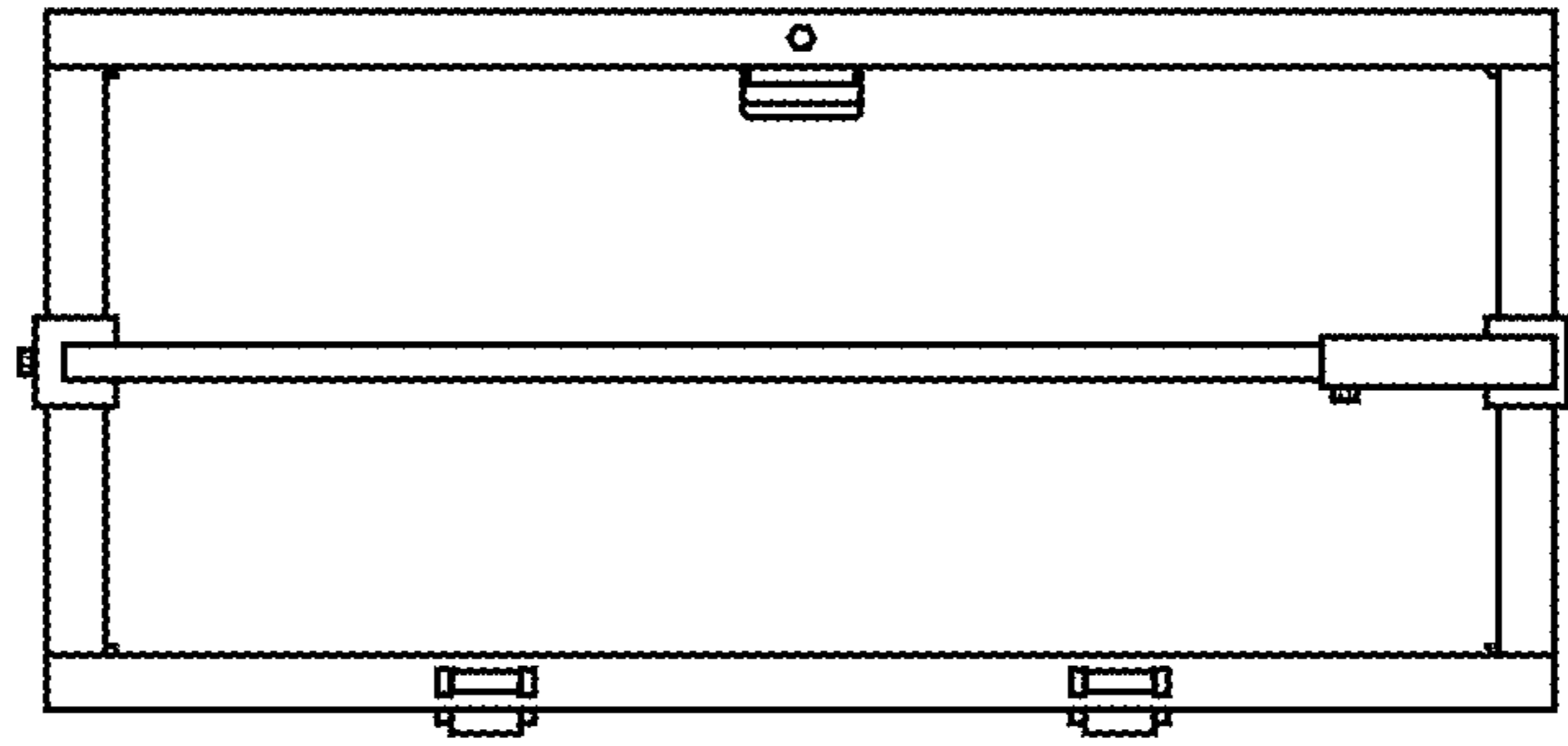


FIG. 4

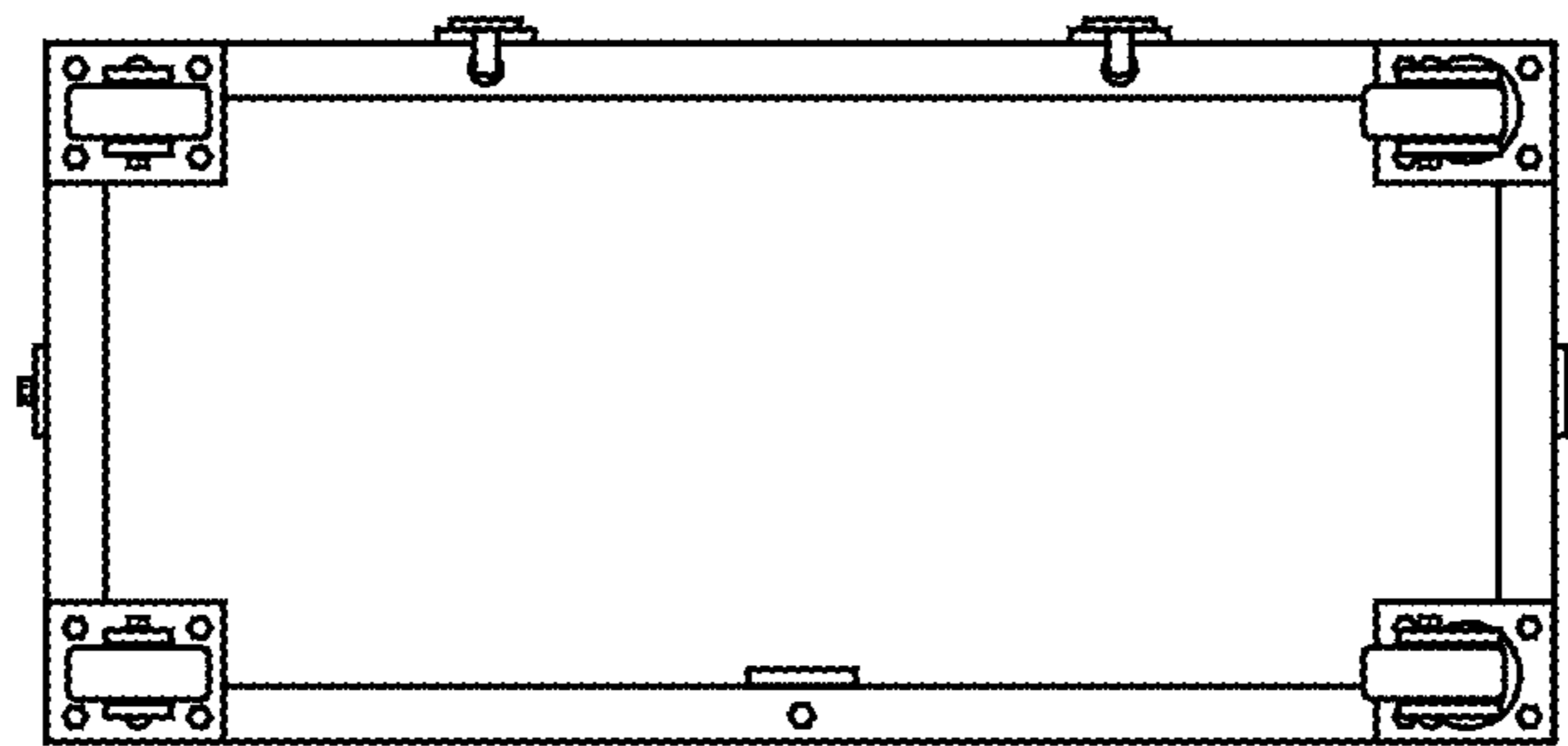


FIG. 6

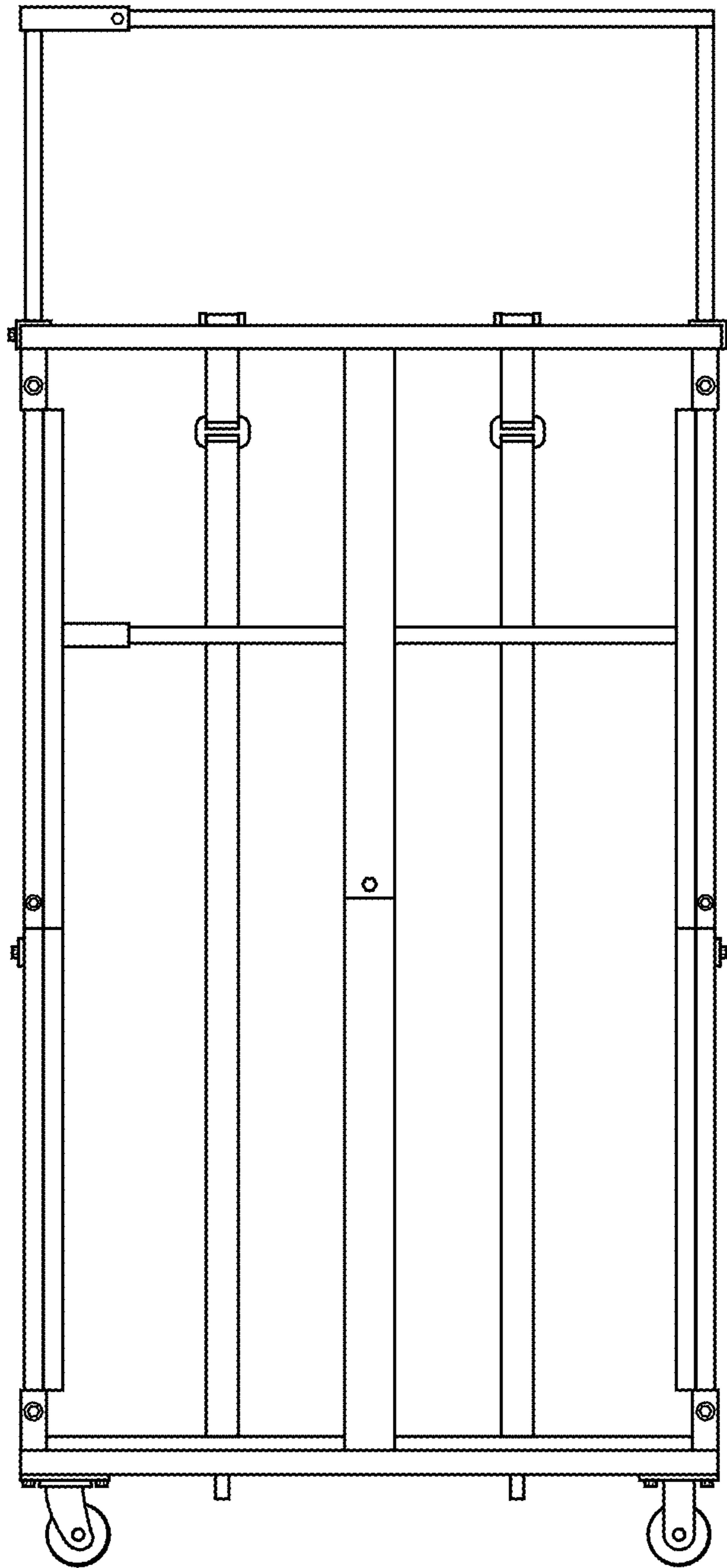


FIG. 7