



US00D831921S

(12) **United States Design Patent**  
**Thuma et al.**

(10) **Patent No.:** **US D831,921 S**  
(45) **Date of Patent:** **\*\* Oct. 23, 2018**

(54) **TRASH CAN**

(71) Applicant: **Suncast Technologies, LLC**, Palm Beach Gardens, FL (US)

(72) Inventors: **Michael Thuma**, La Grange, IL (US); **Torrence Anderson**, Overland Park, KS (US); **Trevor Whitehead**, Elgin, IL (US); **Michael R. Vogler**, Oswego, IL (US)

(73) Assignee: **Suncast Technologies, LLC**, Palm Beach Gardens, FL (US)

(\*\*) Term: **15 Years**

(21) Appl. No.: **29/619,377**

(22) Filed: **Sep. 28, 2017**

(51) **LOC (11) Cl.** ..... **09-09**

(52) **U.S. Cl.**  
USPC ..... **D34/1**

(58) **Field of Classification Search**  
USPC ..... D34/1-1.1, 3-11, 19, 27; D7/400, 602; D3/304, 320, 306; 220/908.1, 909, 913, 220/908  
CPC ..... B65F 1/1473; B62B 2202/028  
See application file for complete search history.

(56) **References Cited**

**U.S. PATENT DOCUMENTS**

D342,815 S \* 12/1993 Shafer ..... D34/1  
D356,411 S \* 3/1995 Gingras ..... D34/12

D361,191 S \* 8/1995 Kowalski ..... D34/16  
D420,187 S \* 2/2000 Houry ..... D34/12  
D467,052 S \* 12/2002 Van Landingham, Jr. .... D34/1  
D728,887 S \* 5/2015 Kernen ..... B65D 19/04  
D34/1  
D767,232 S \* 9/2016 Blitzer ..... D34/16  
D794,894 S \* 8/2017 Kopp ..... D34/1

\* cited by examiner

*Primary Examiner* — Cynthia Ramirez

*Assistant Examiner* — Gino Colan

(74) *Attorney, Agent, or Firm* — McHale & Slavin, P.A.

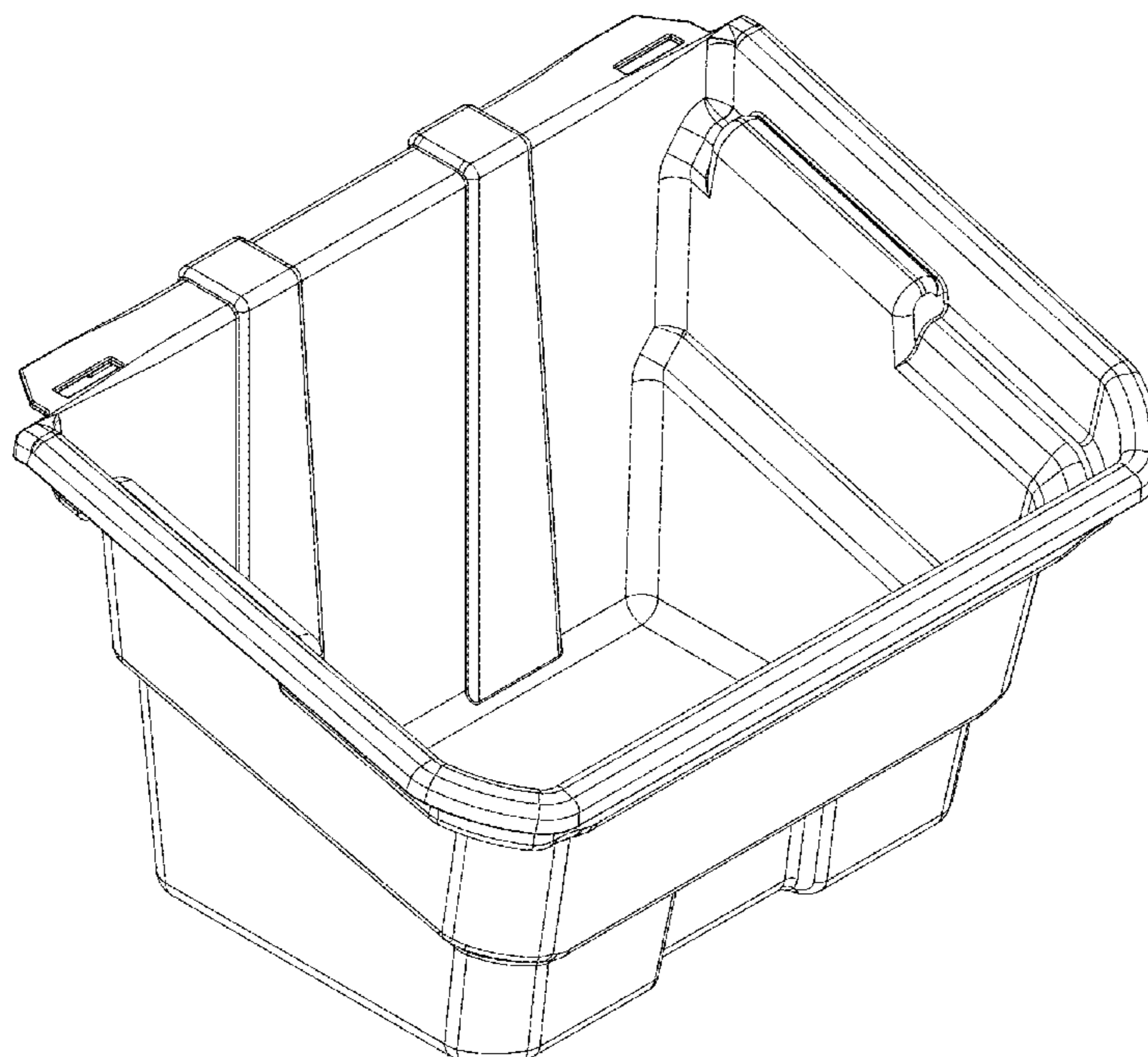
(57) **CLAIM**

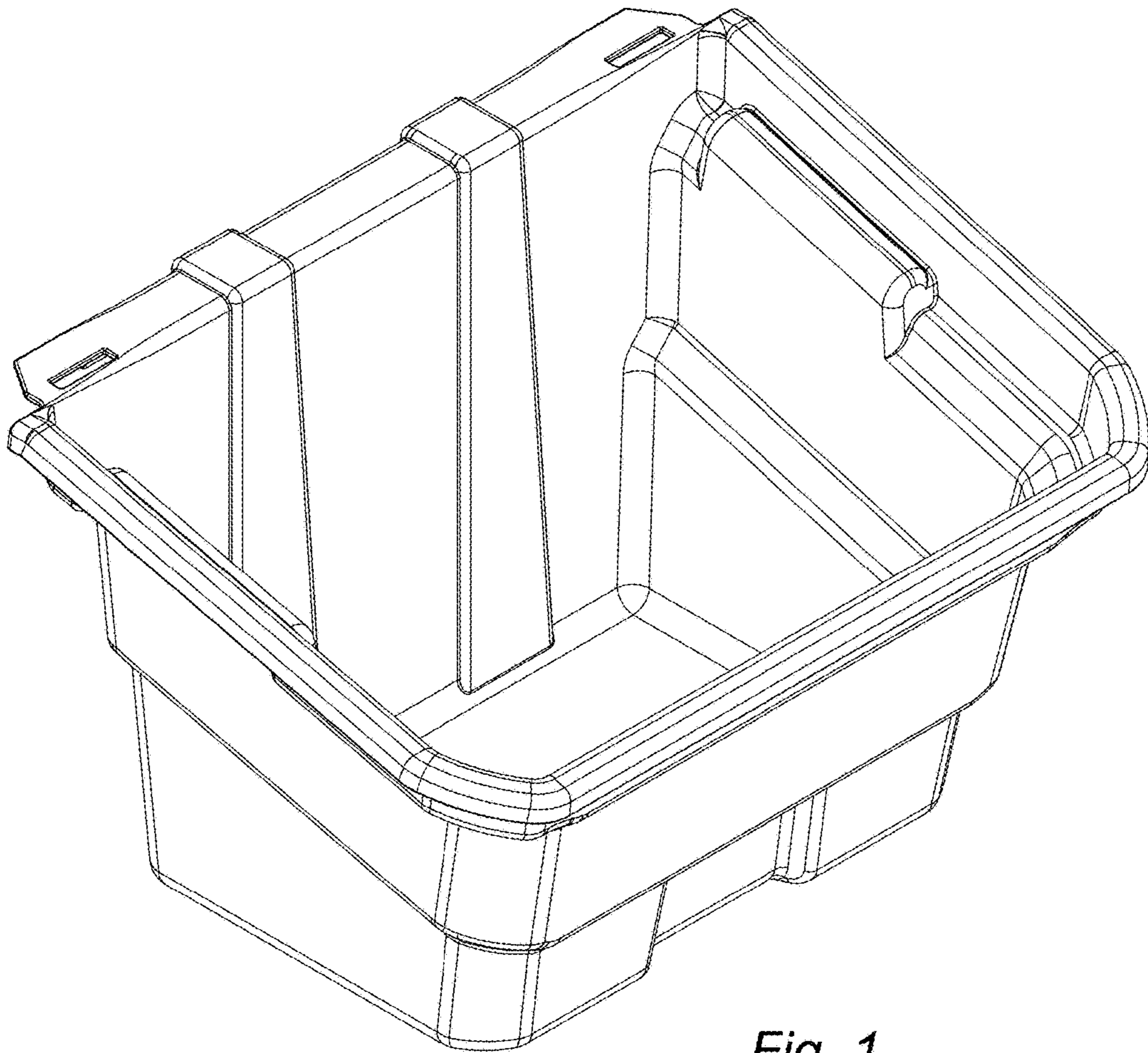
The ornamental design for a trash can, as shown and described.

**DESCRIPTION**

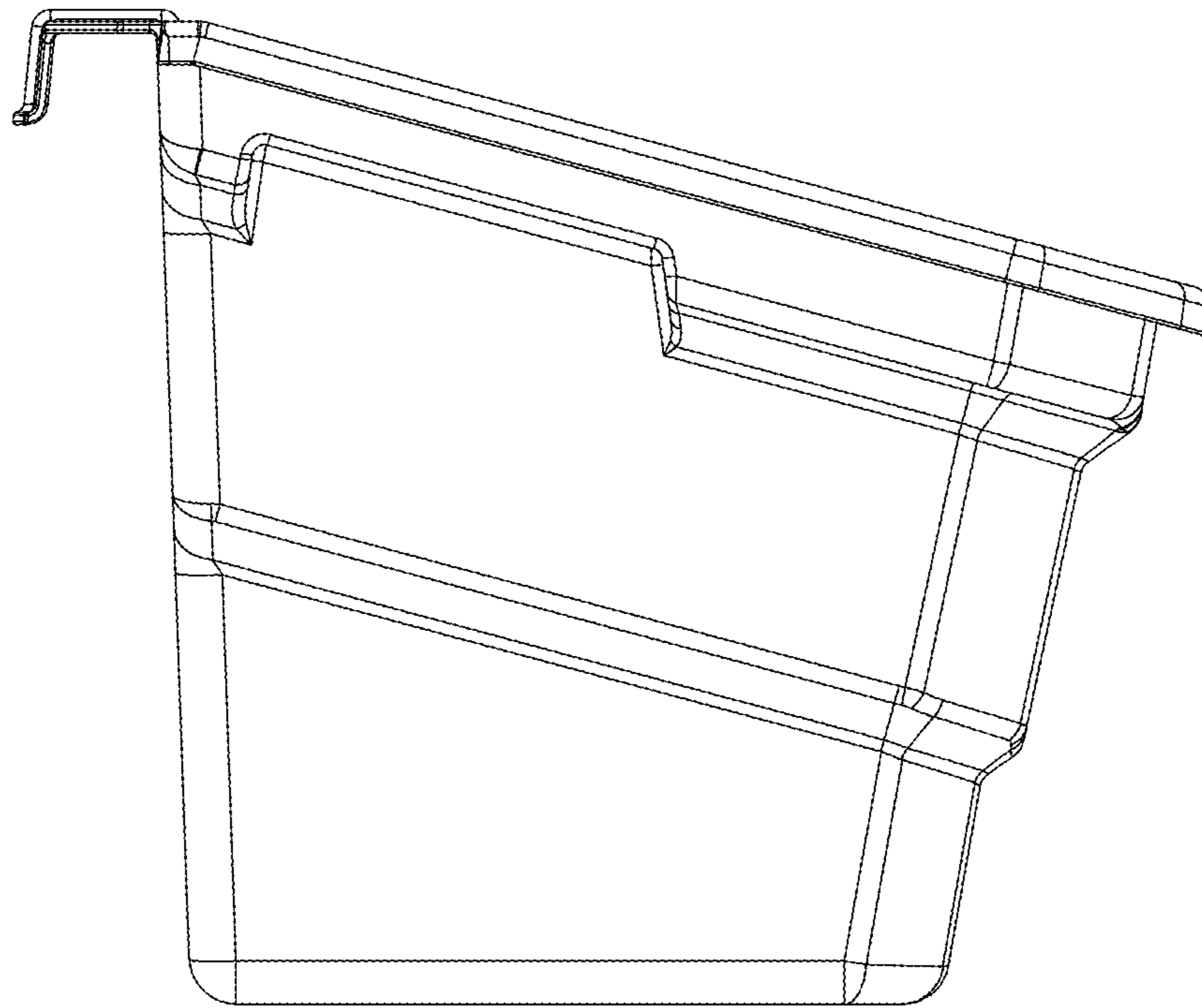
FIG. 1 is a top front left perspective view of the trash can of the present invention;  
FIG. 2 is a left side view thereof;  
FIG. 3 is a right side view thereof;  
FIG. 4 is a front view thereof;  
FIG. 5 is a rear view thereof;  
FIG. 6 is a top view thereof;  
FIG. 7 is a bottom view thereof; and,  
FIG. 8 is a bottom front left perspective view thereof.

**1 Claim, 8 Drawing Sheets**

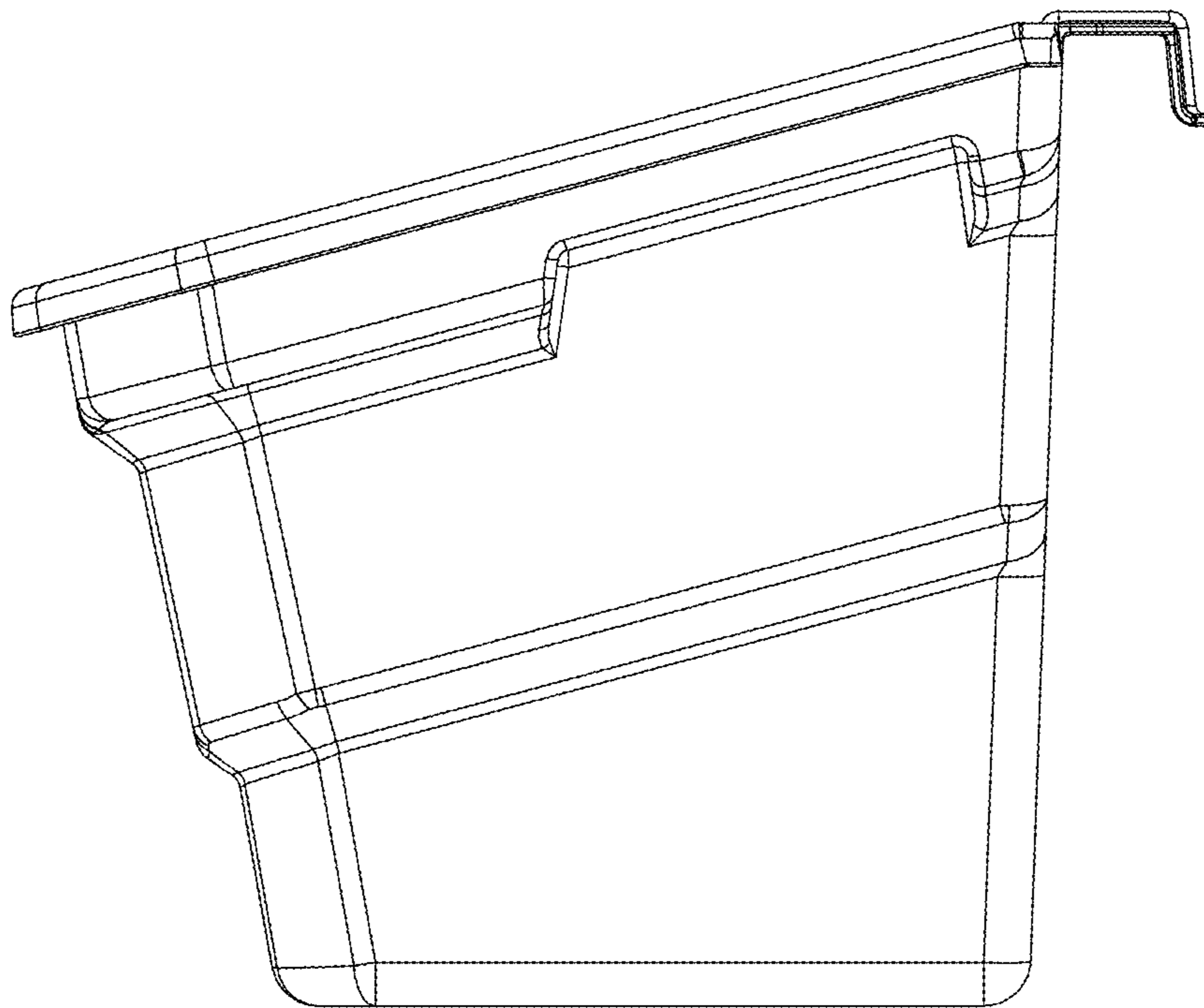




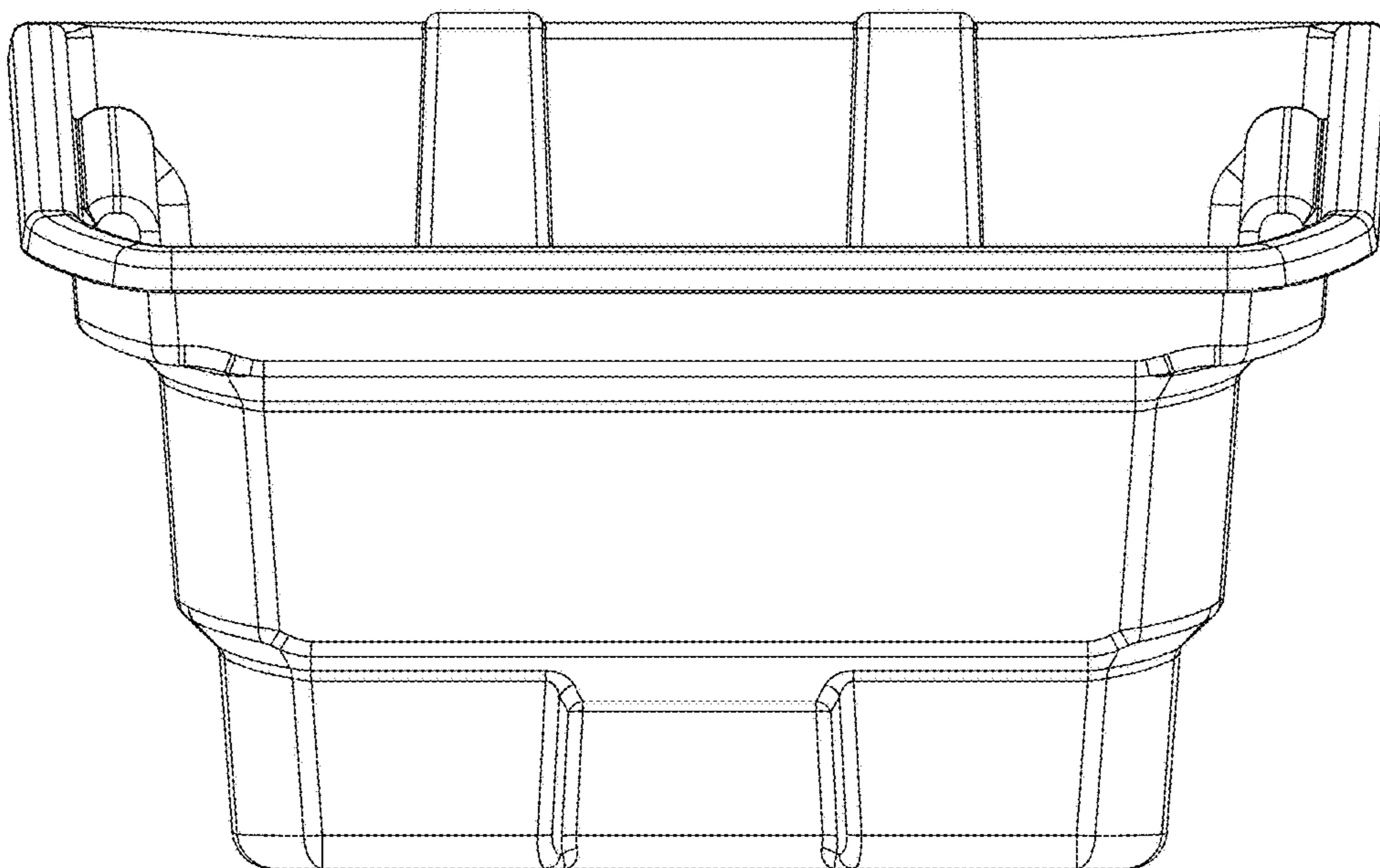
*Fig. 1*



*Fig. 2*

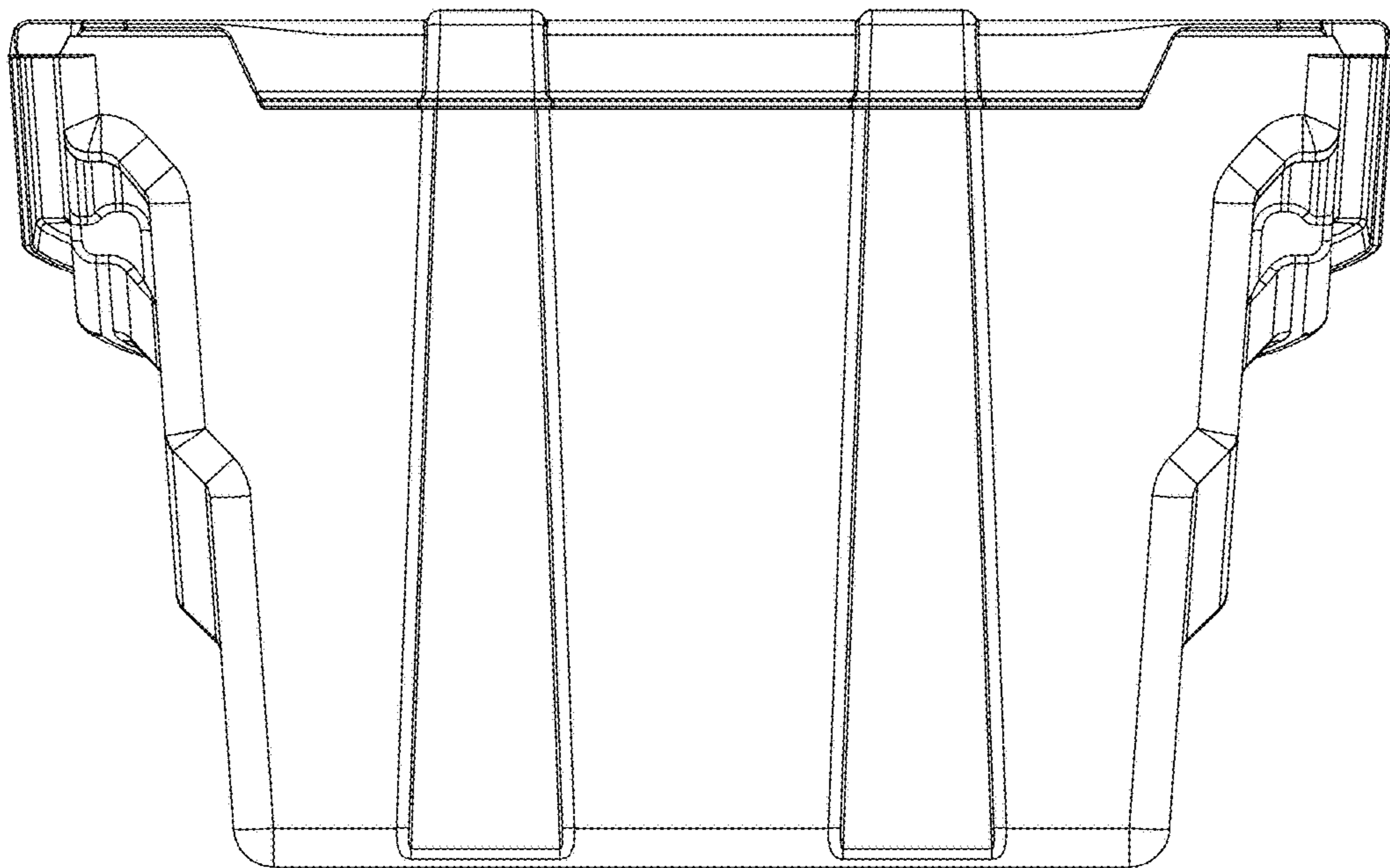


*Fig. 3*

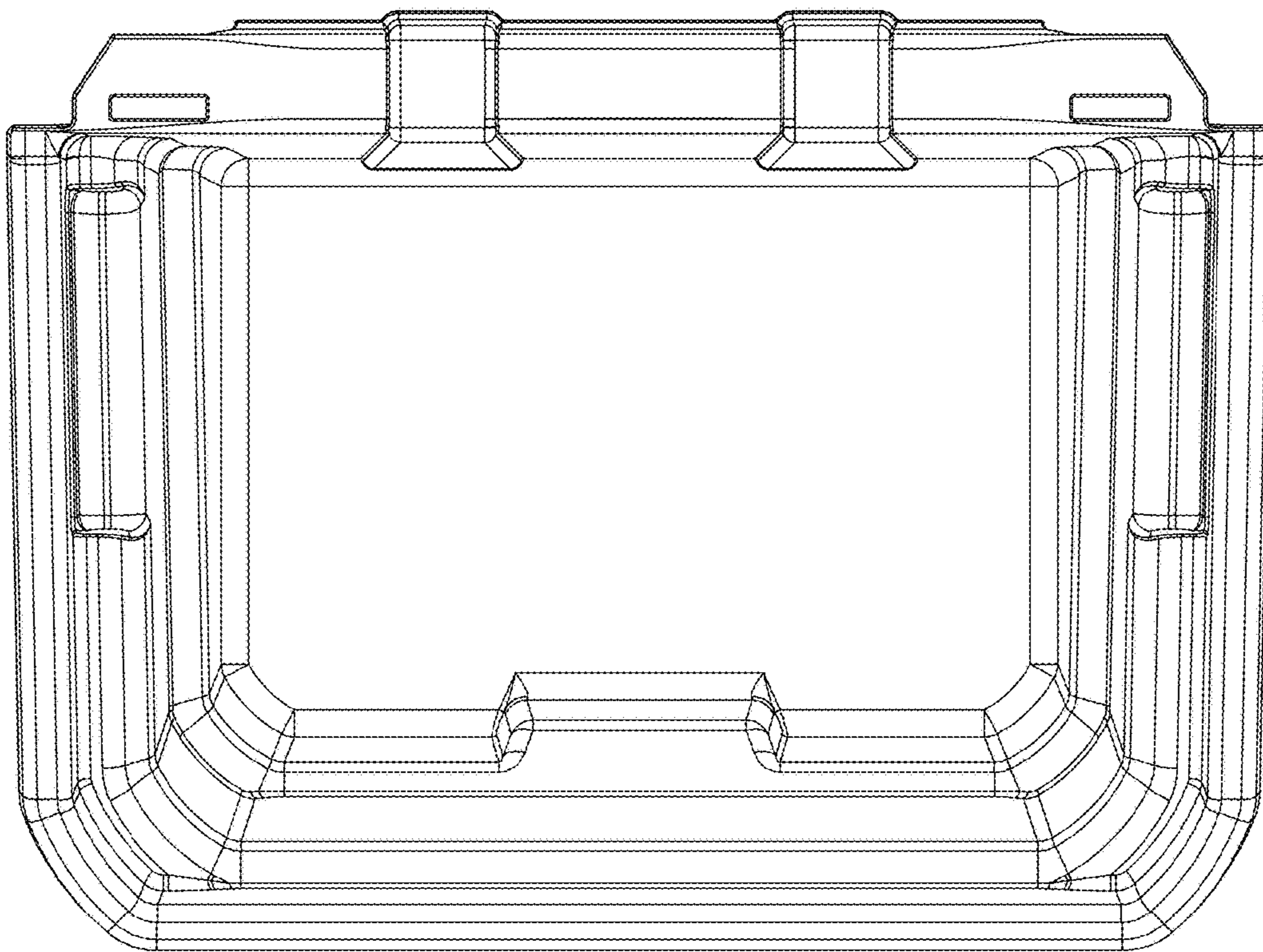


*Fig. 4*

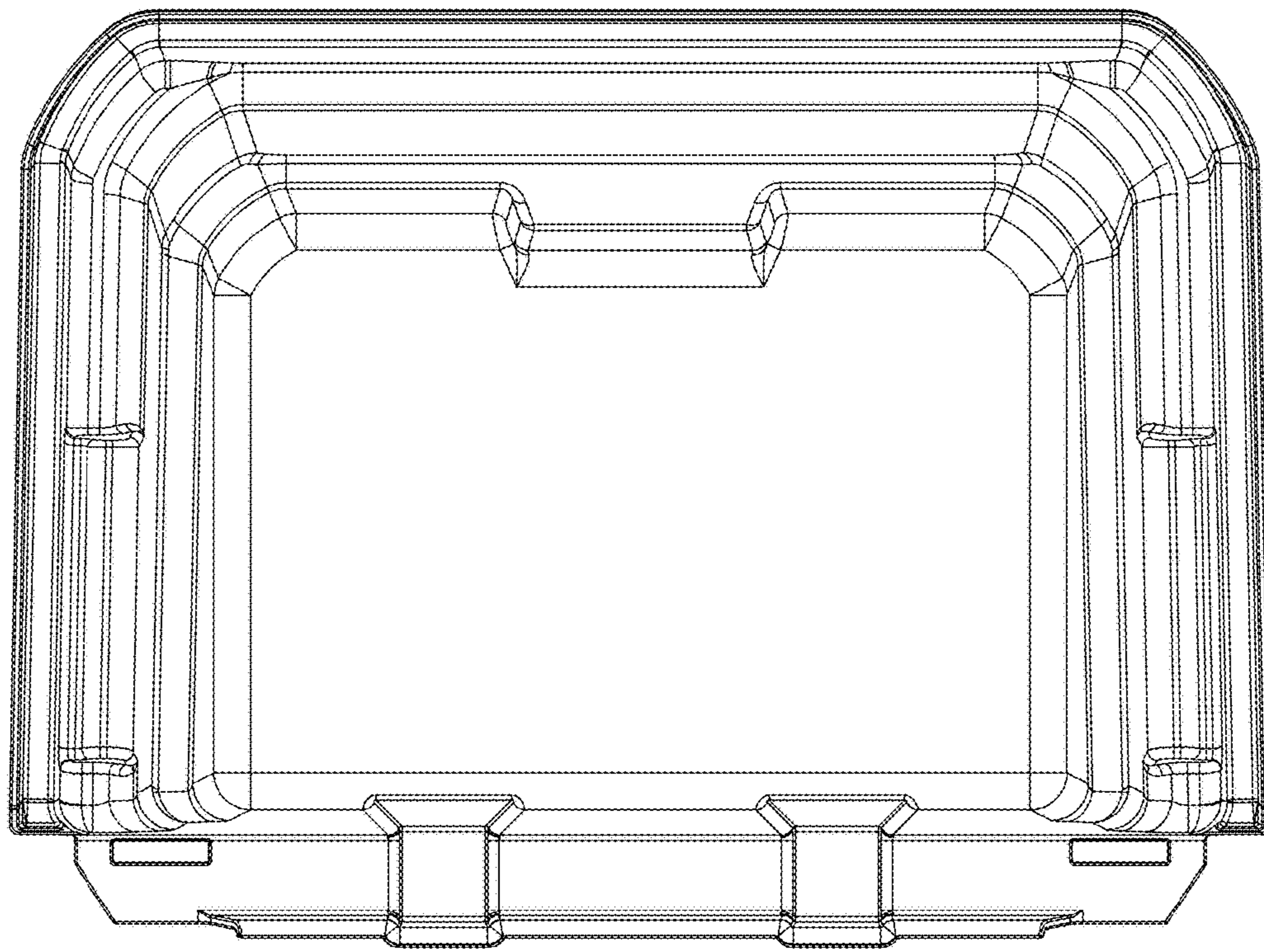




*Fig. 5*

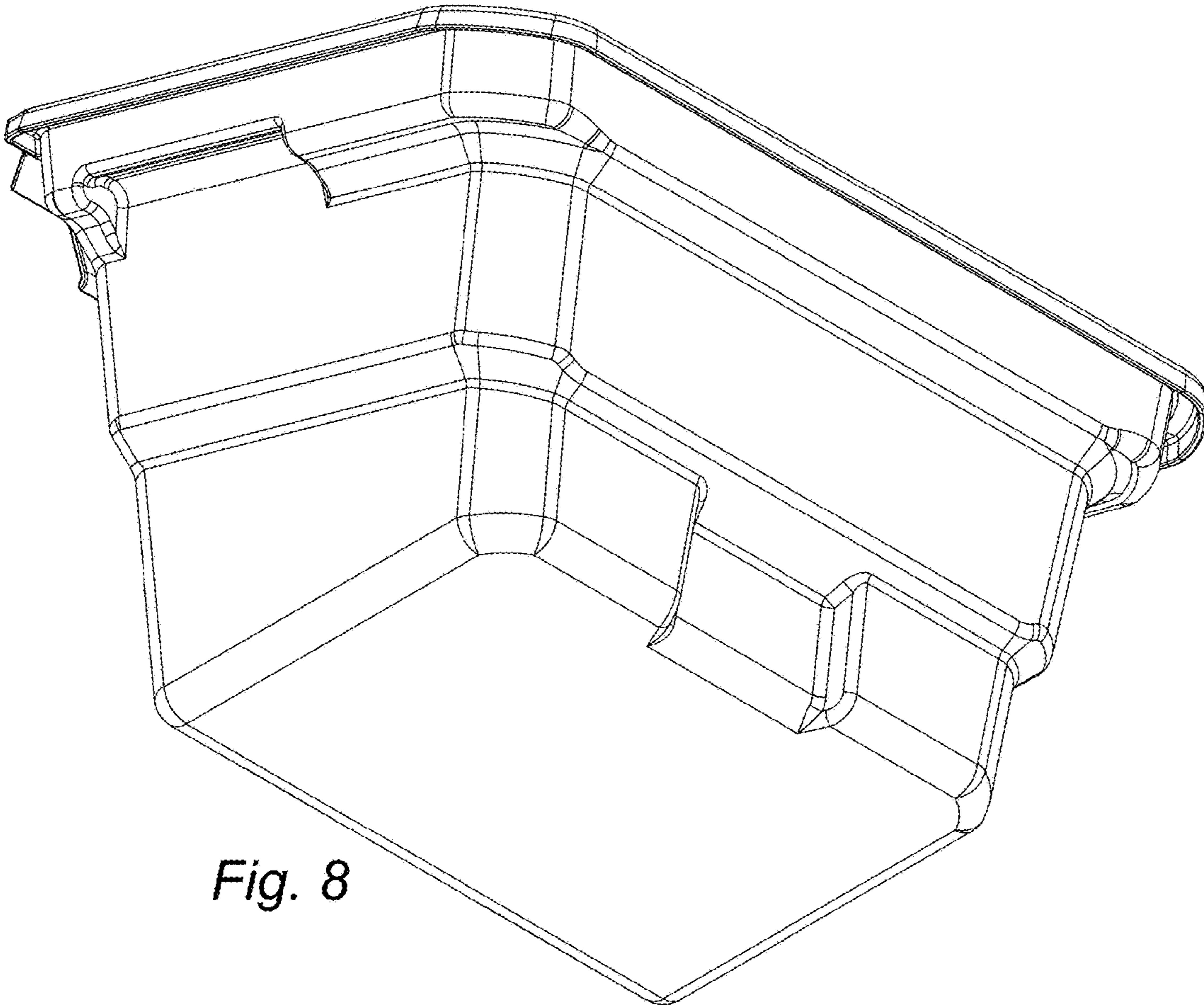


*Fig. 6*



*Fig. 7*





*Fig. 8*